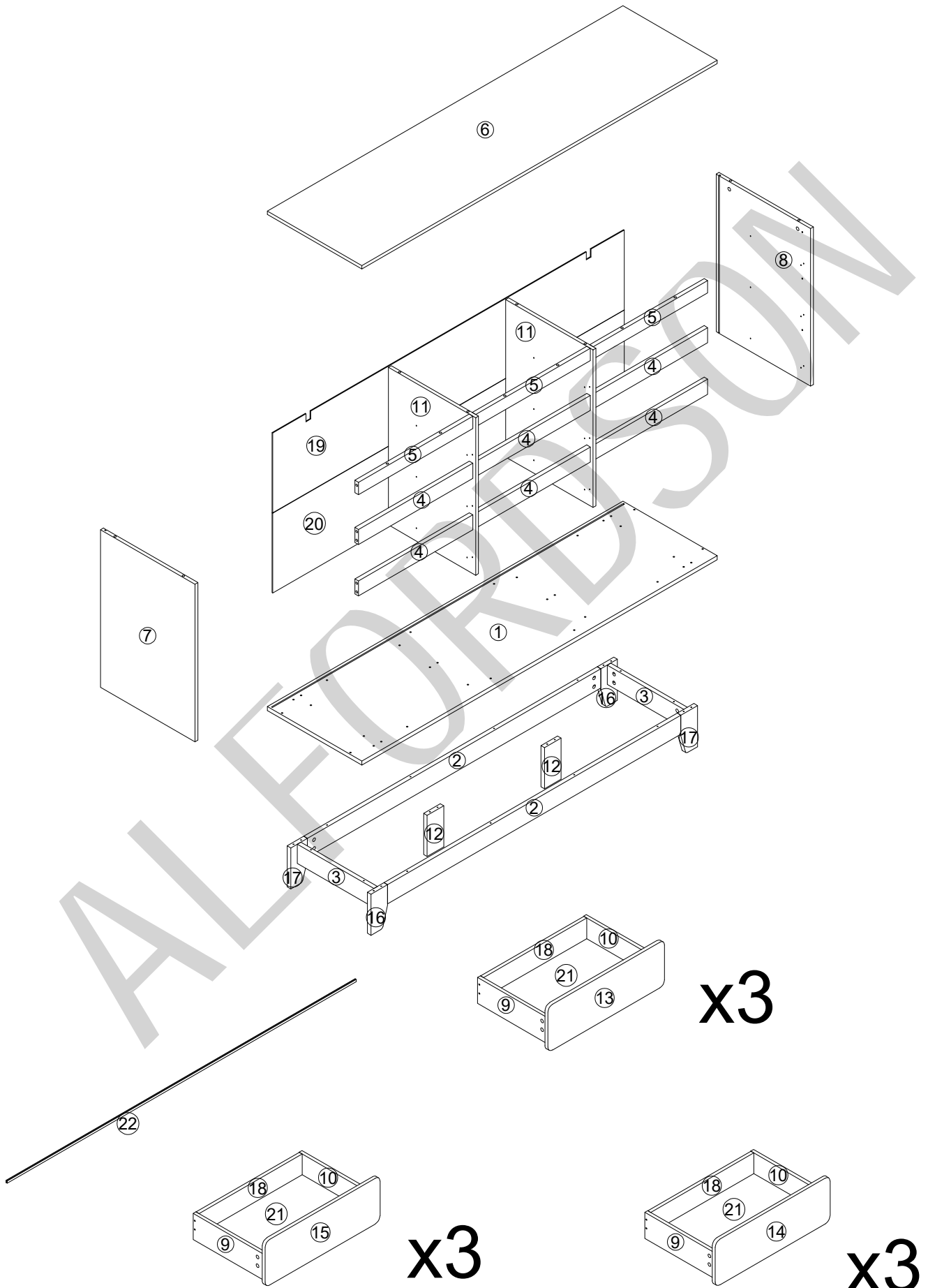
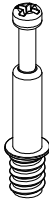
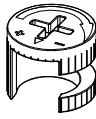
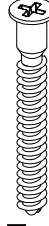
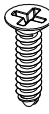
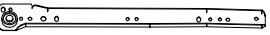

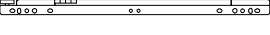

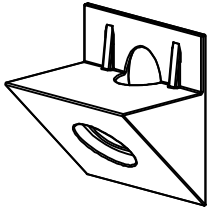



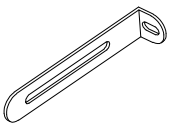
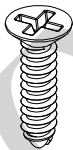
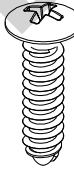
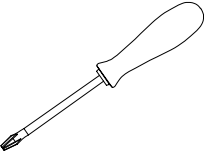


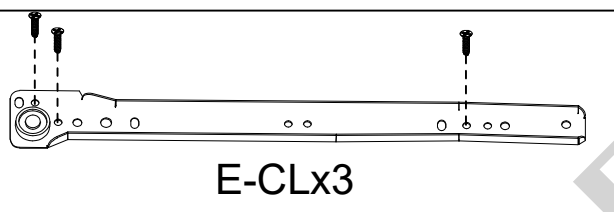
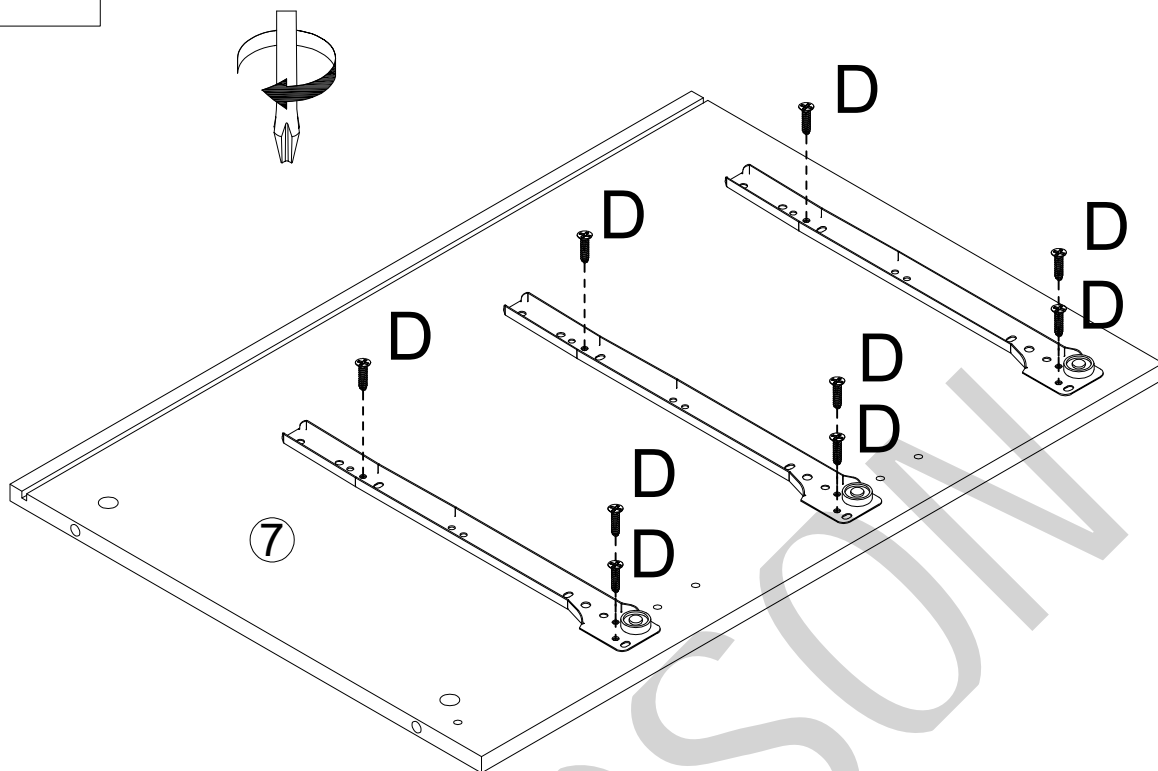
PART NUMBER



ACCESSORIES LIST

<p>A ×90</p>  <p>M6×35</p>	<p>B ×90</p>  <p>12×10</p>	<p>C ×68</p>  <p>M5×40</p>	<p>D ×84</p>  <p>M3×12</p>
<p>E ×9</p> <p>CL </p> <p>CR </p> <p>DL </p> <p>DR </p> <p>M300</p>	<p>J ×10</p>  <p></p>	<p>K ×10</p>  <p>M3.5×14</p>	<p>L ×2</p>   <p></p>
<p>M ×2</p>  <p></p>	<p>N ×8</p>  <p>M3.5×12</p>	<p>P ×8</p>  <p>M4×12</p>	<p>Q ×1</p>  <p></p>

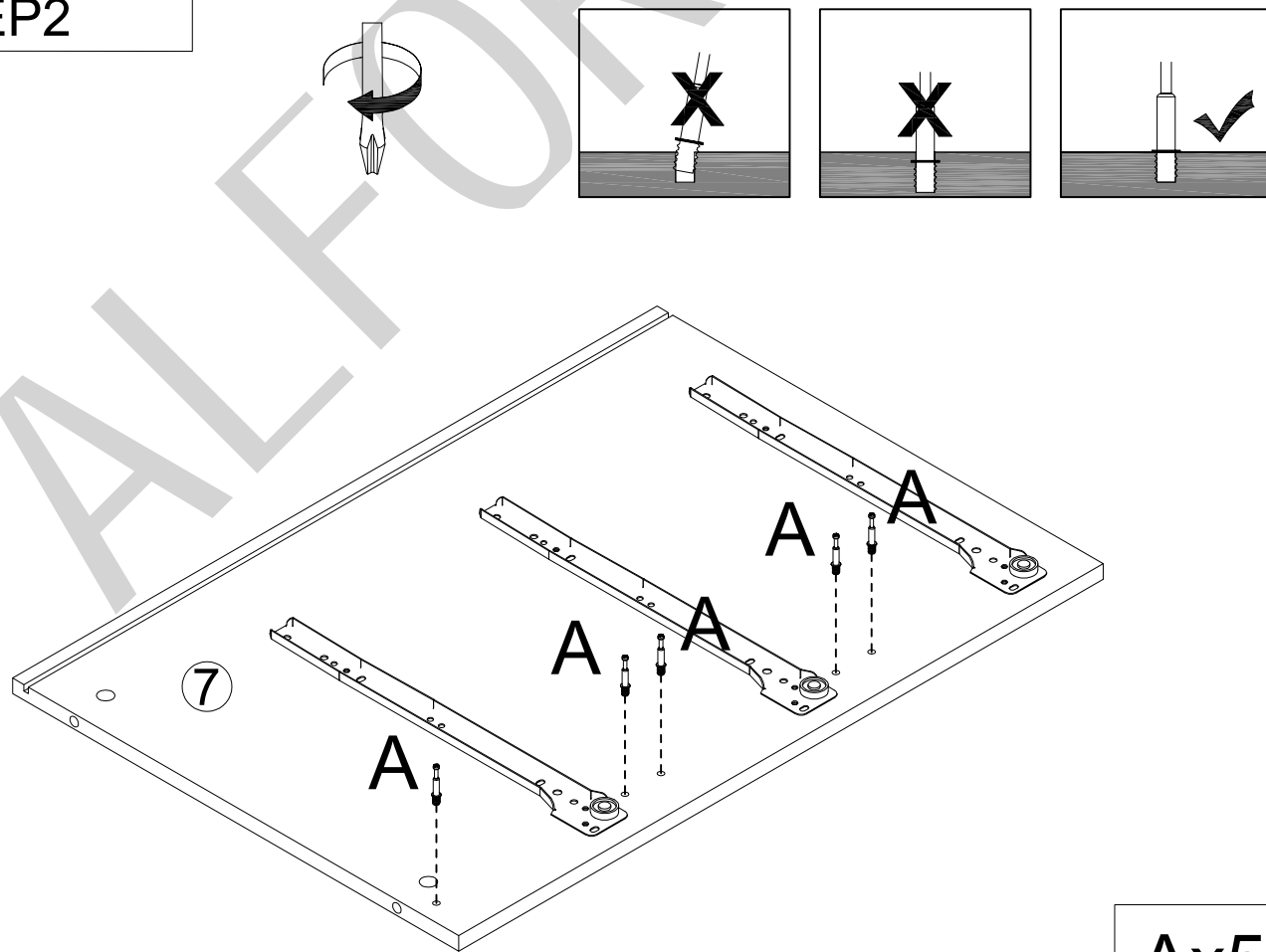
STEP1



E-CLx3

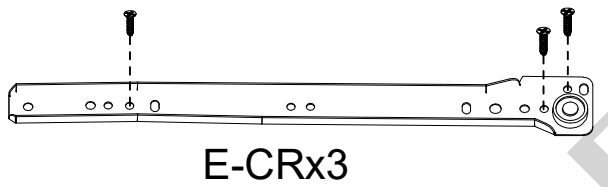
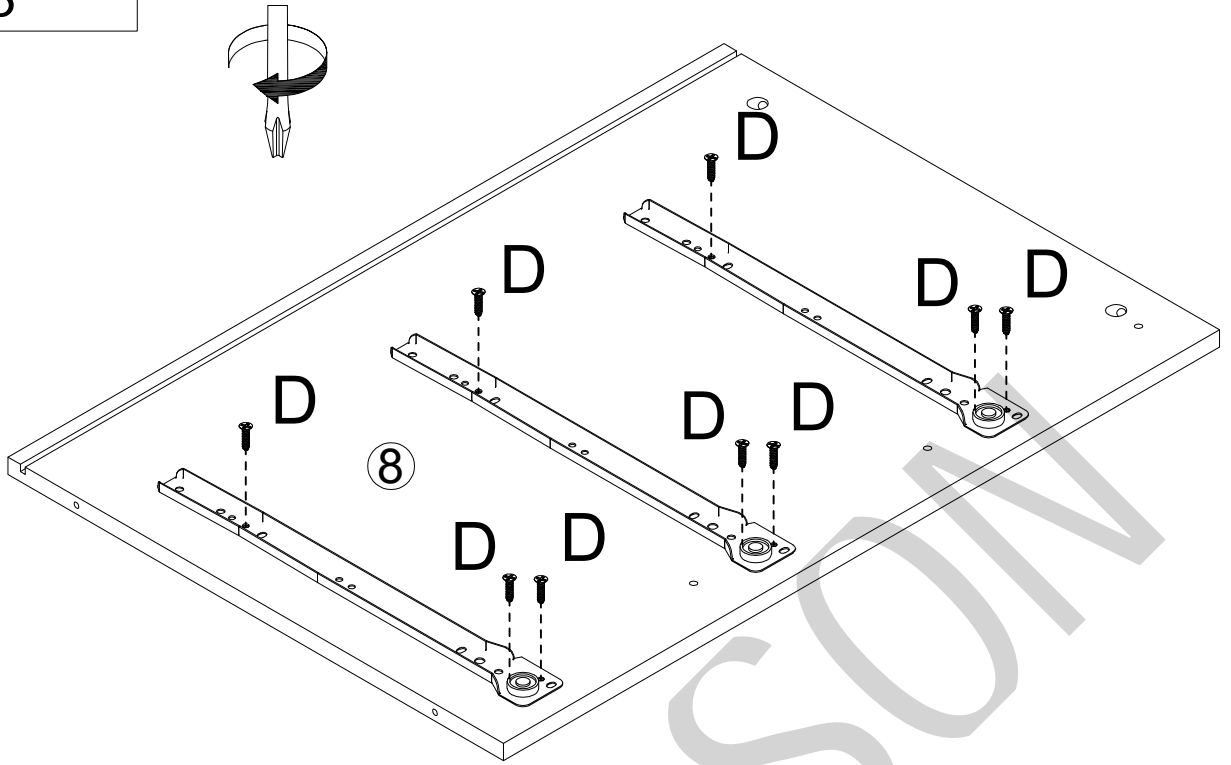
Dx9

STEP2



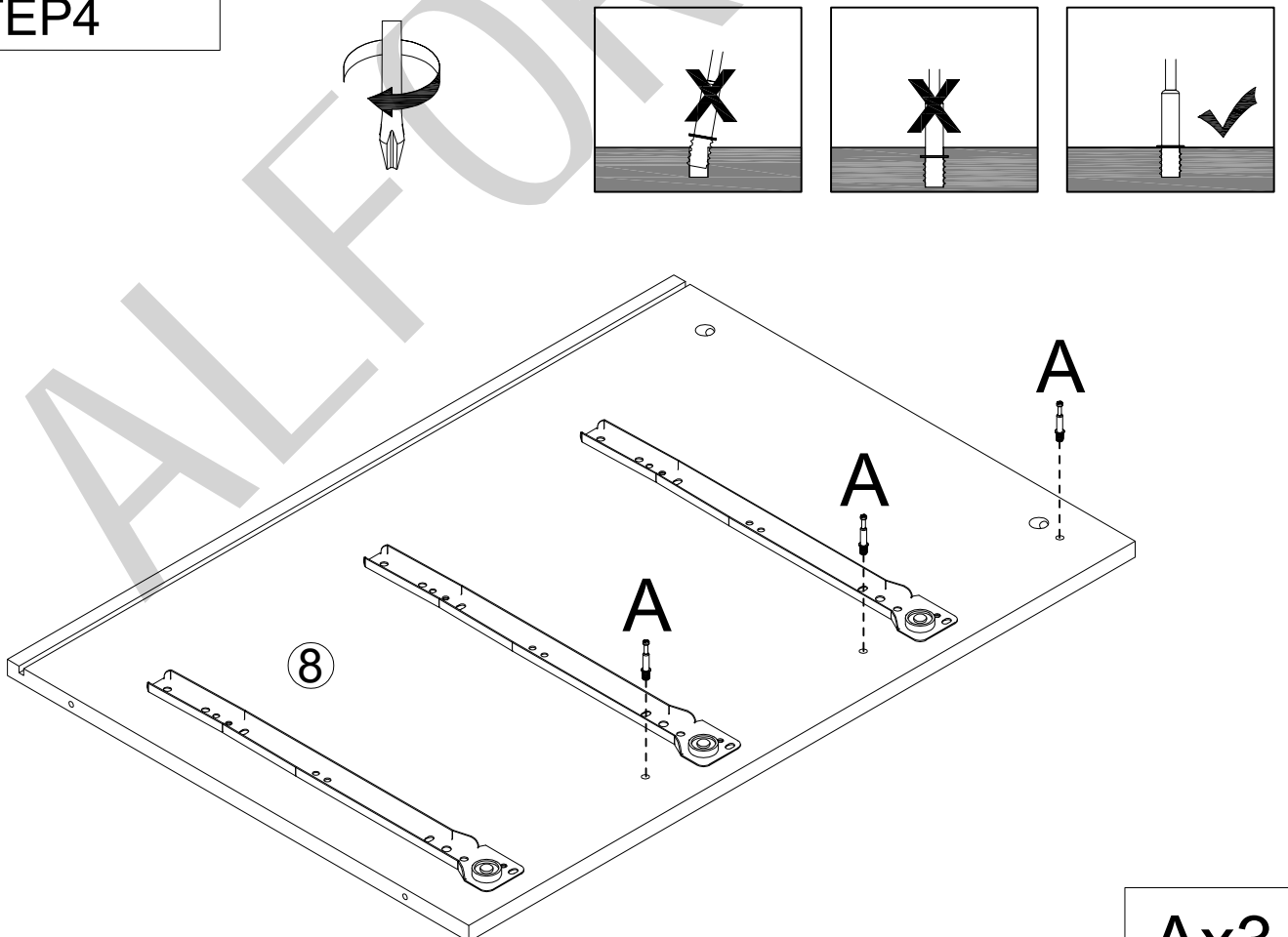
Ax5

STEP3



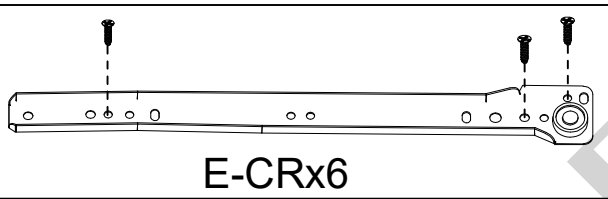
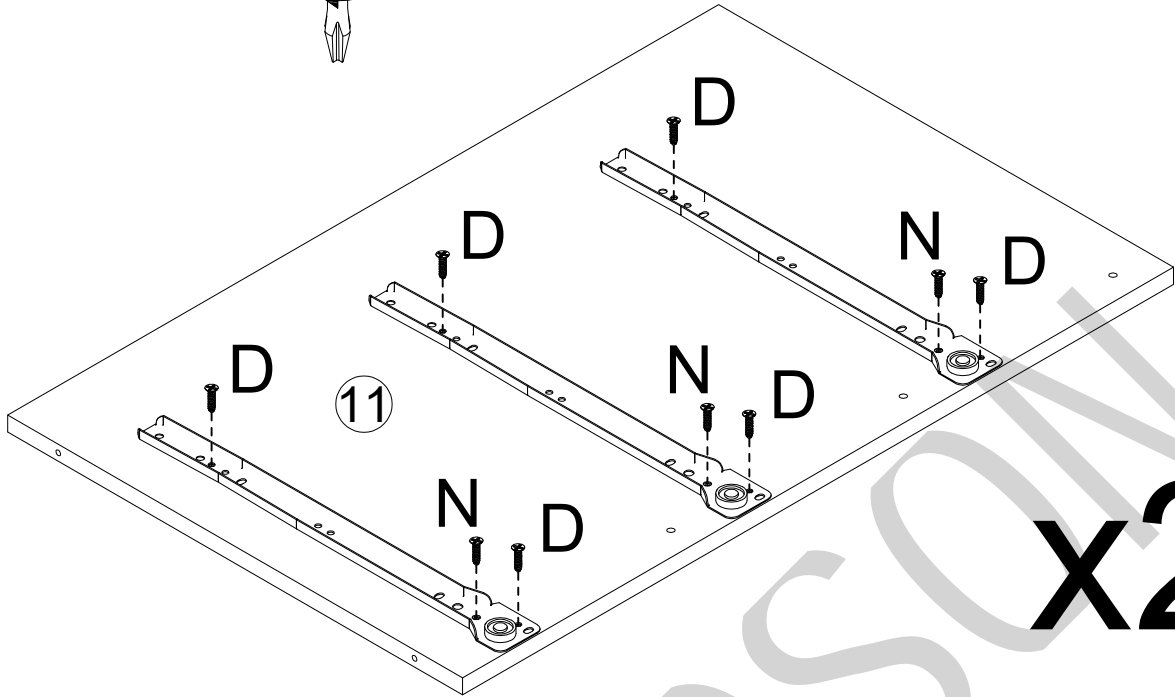
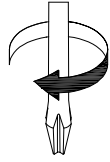
Dx9

STEP4



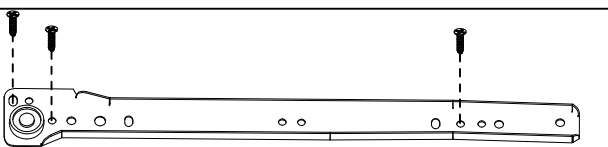
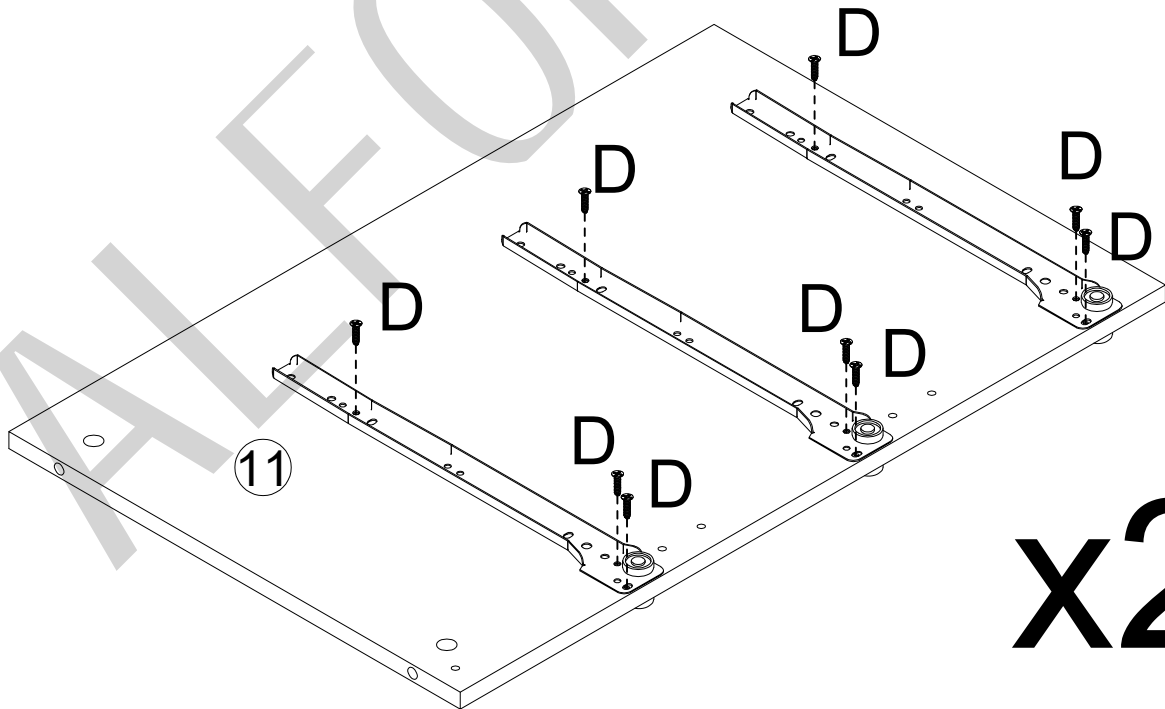
Ax3

STEP5



E-CR_{x6}

180°

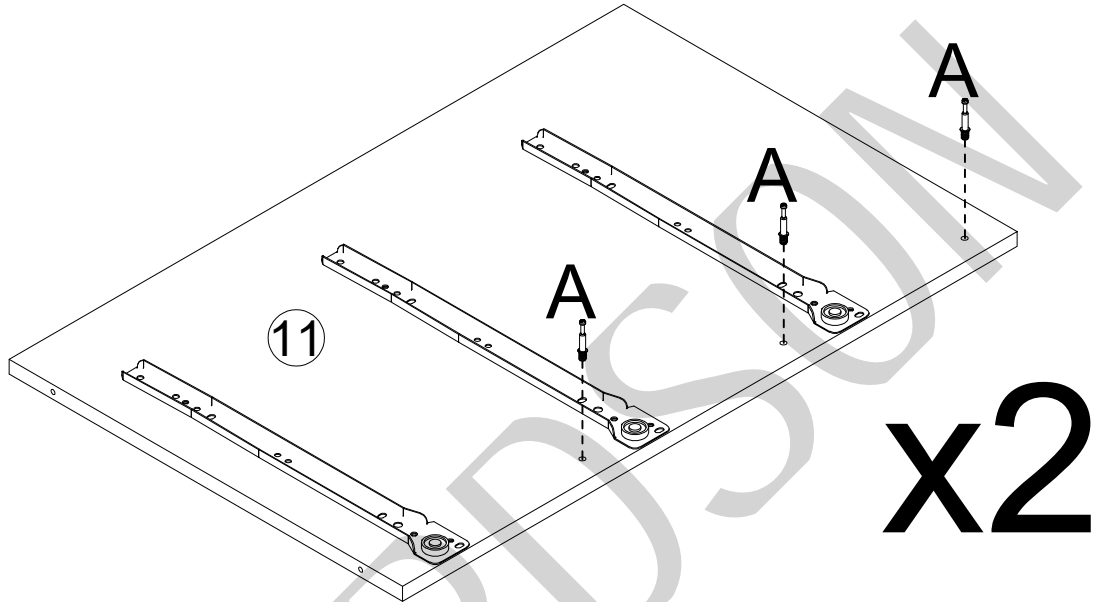
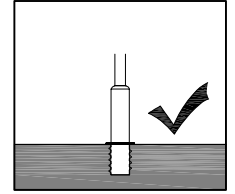
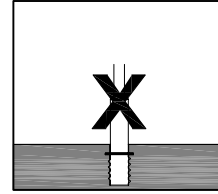
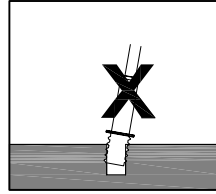
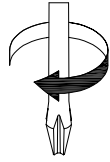


E-CL_{x6}

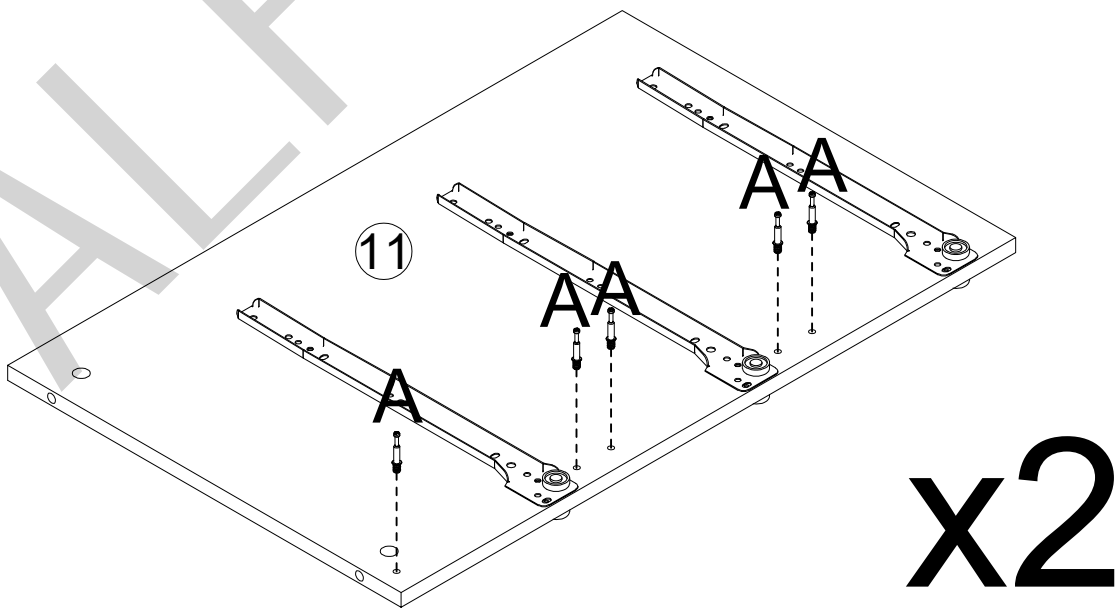
Dx30

Nx6

STEP 6

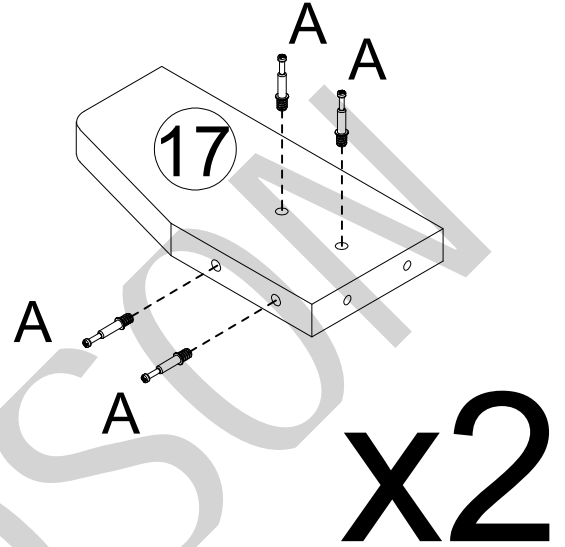
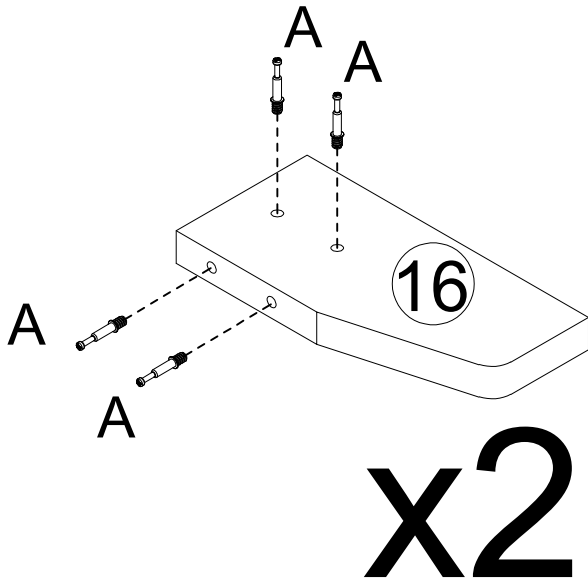
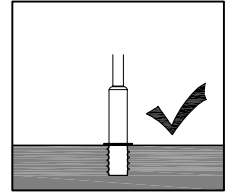
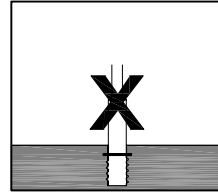
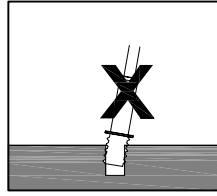
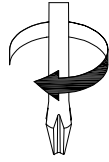


180°



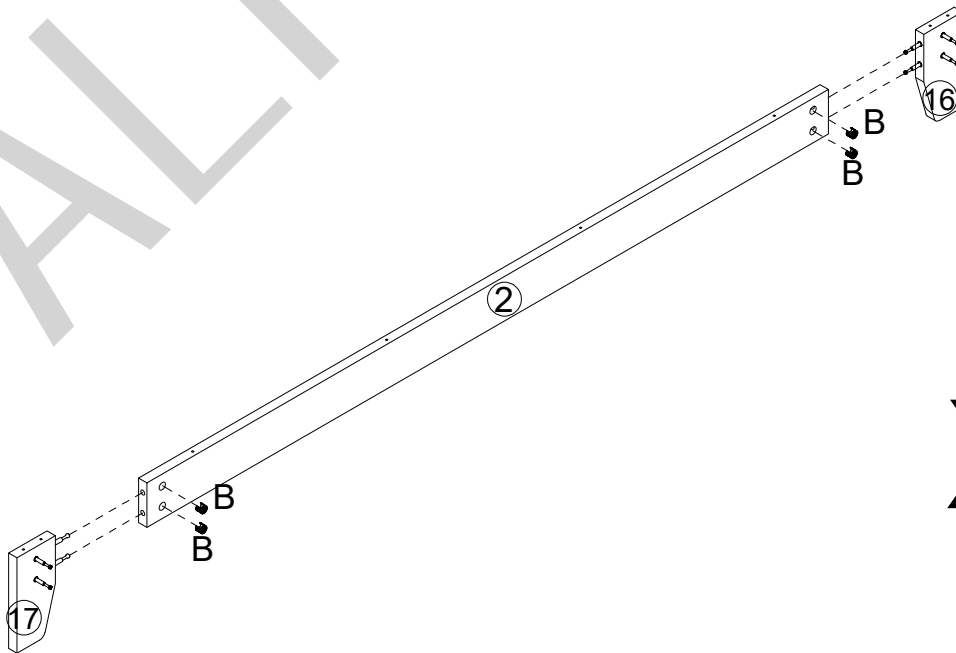
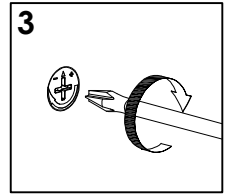
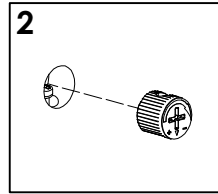
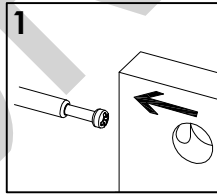
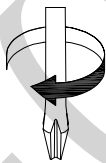
Ax16

STEP7



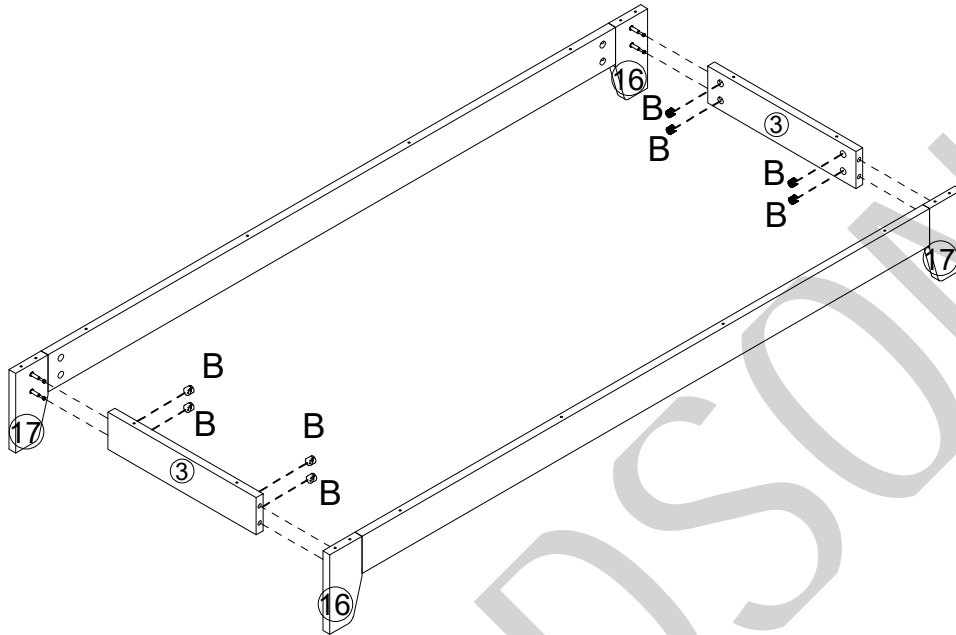
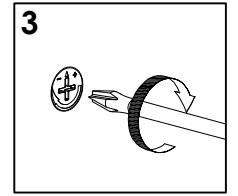
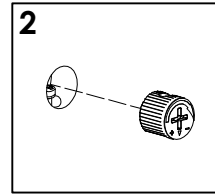
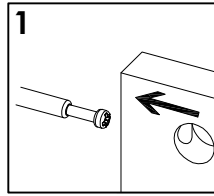
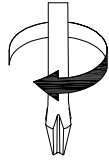
Ax16

STEP8



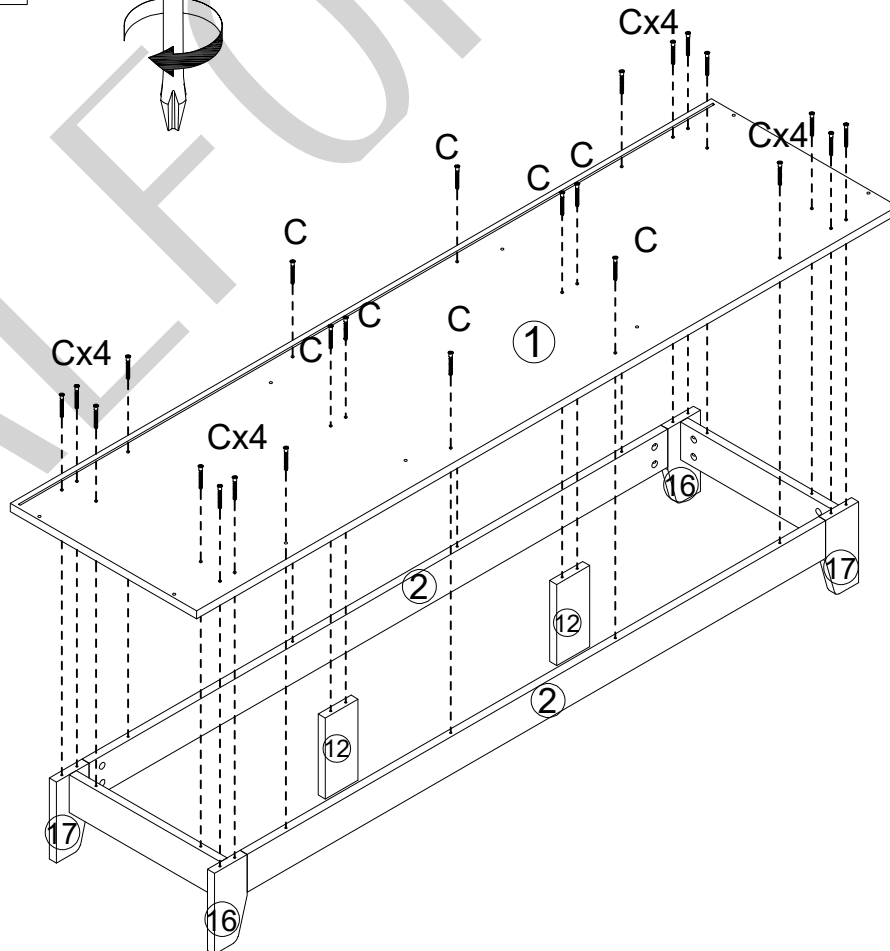
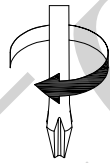
Bx8

STEP9



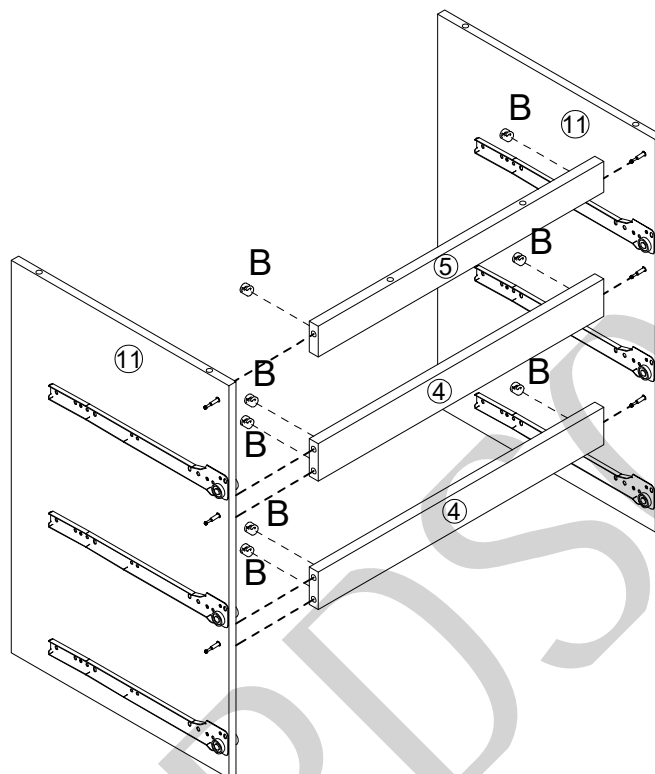
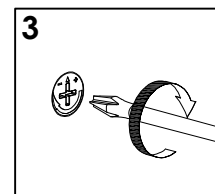
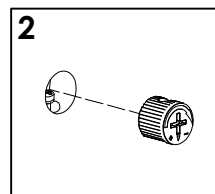
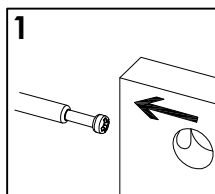
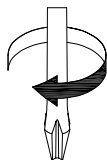
Bx8

STEP10



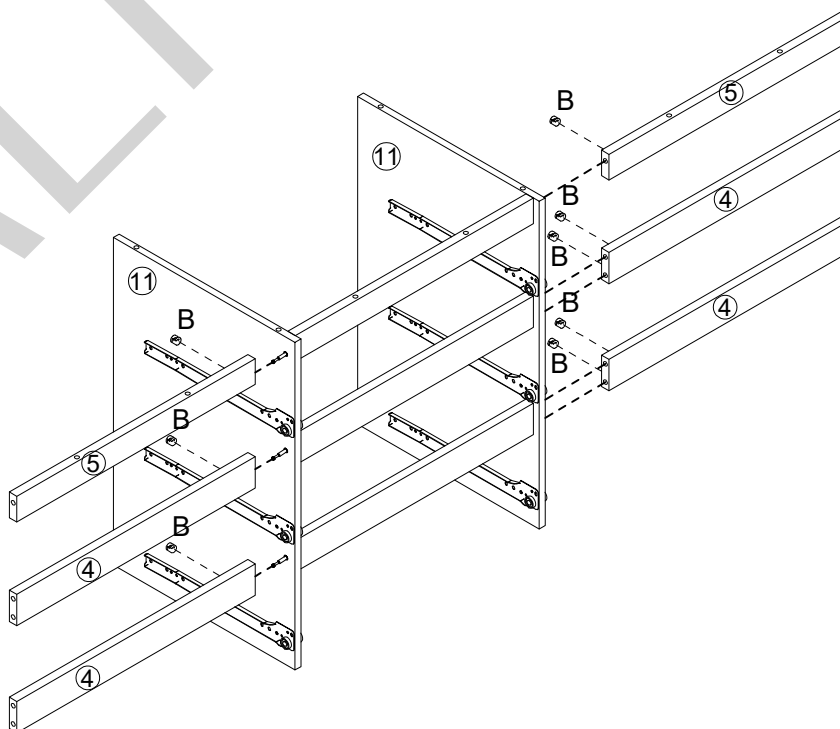
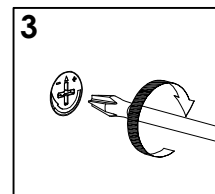
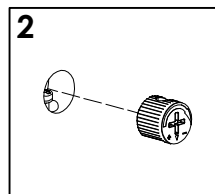
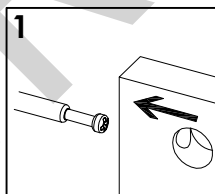
Cx24

STEP 11



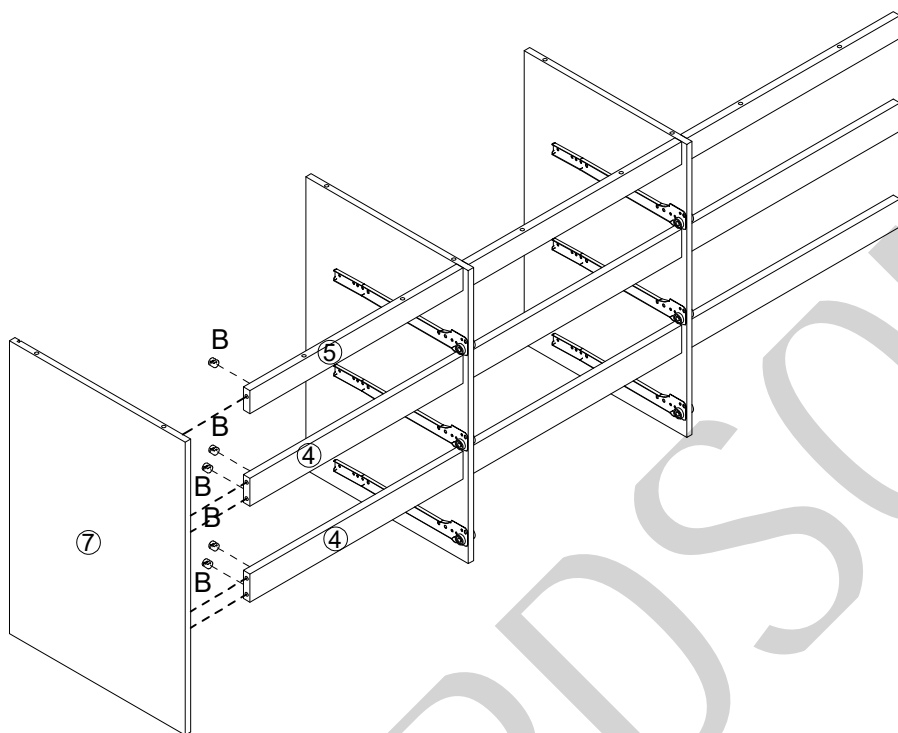
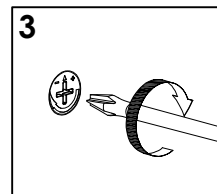
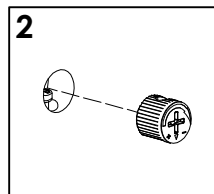
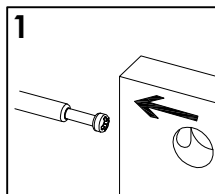
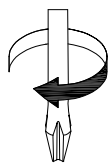
Bx8

STEP 12



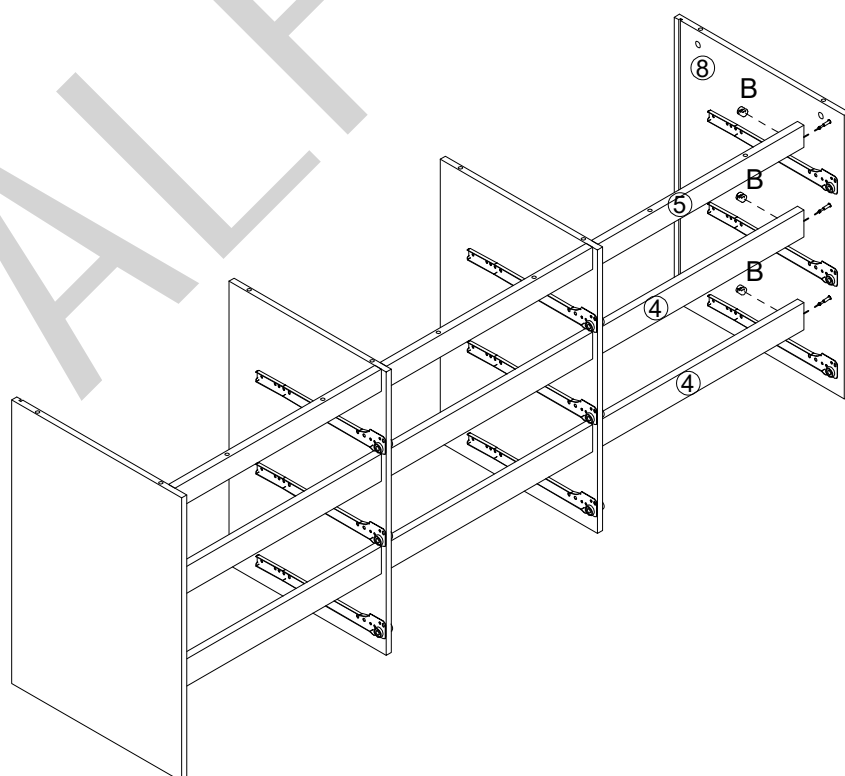
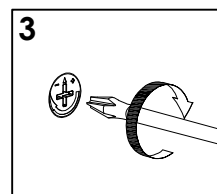
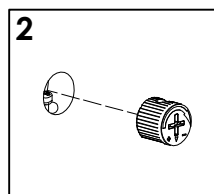
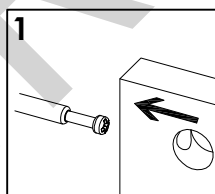
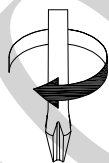
Bx8

STEP13



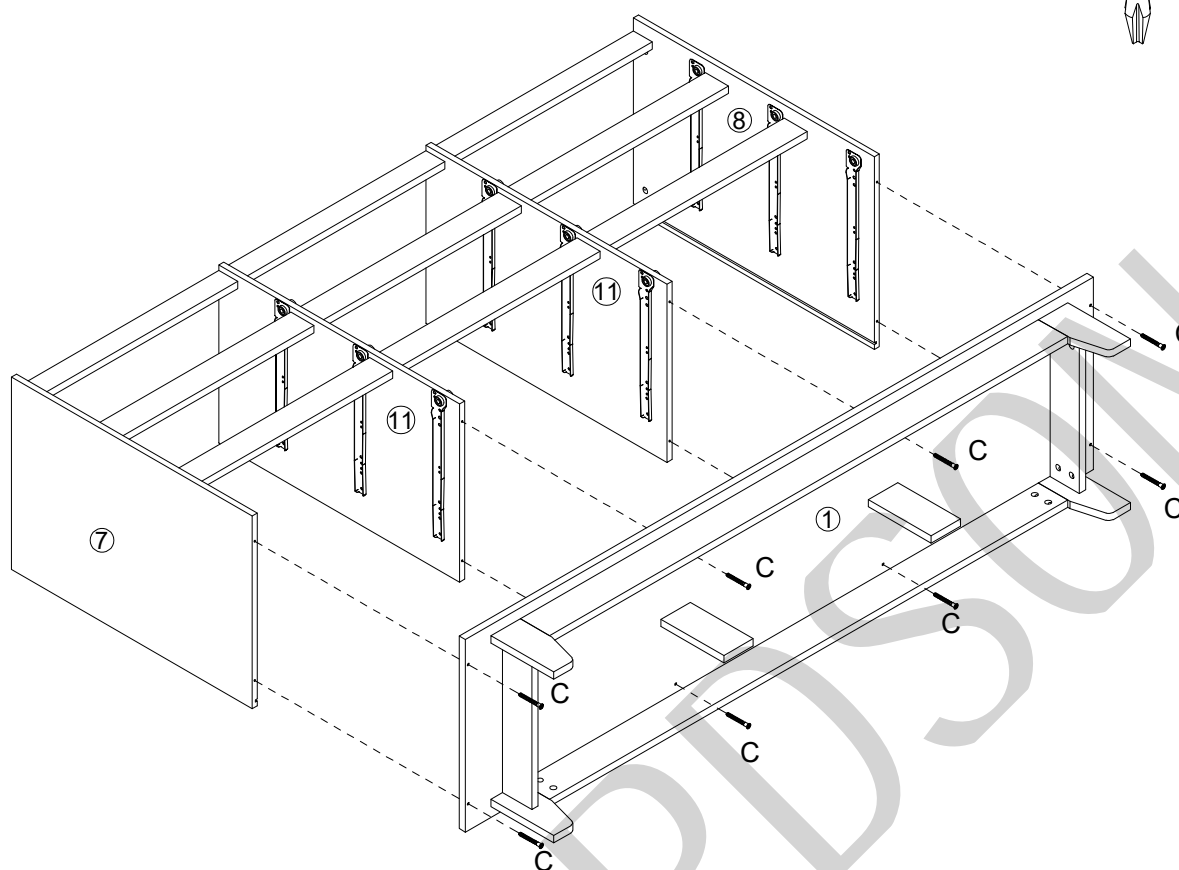
Bx5

STEP14



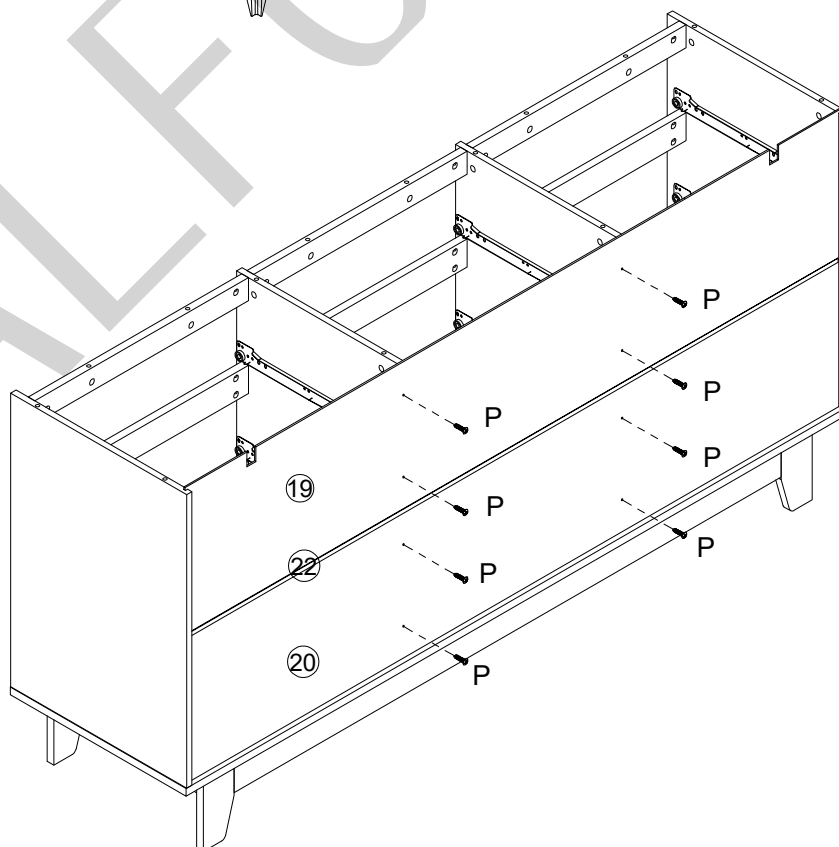
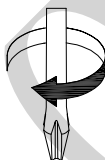
Bx3

STEP15



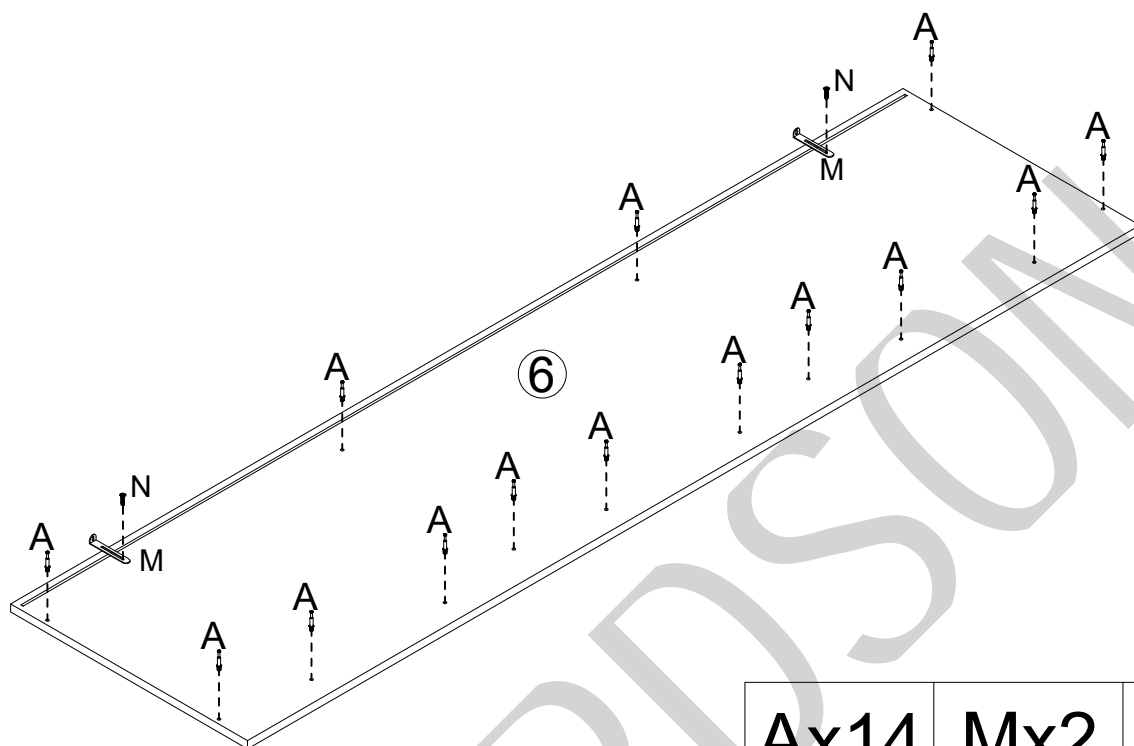
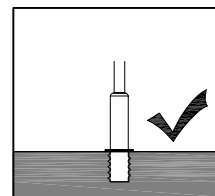
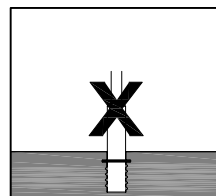
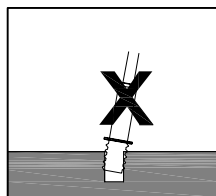
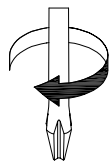
Cx8

STEP16



Px8

STEP 17

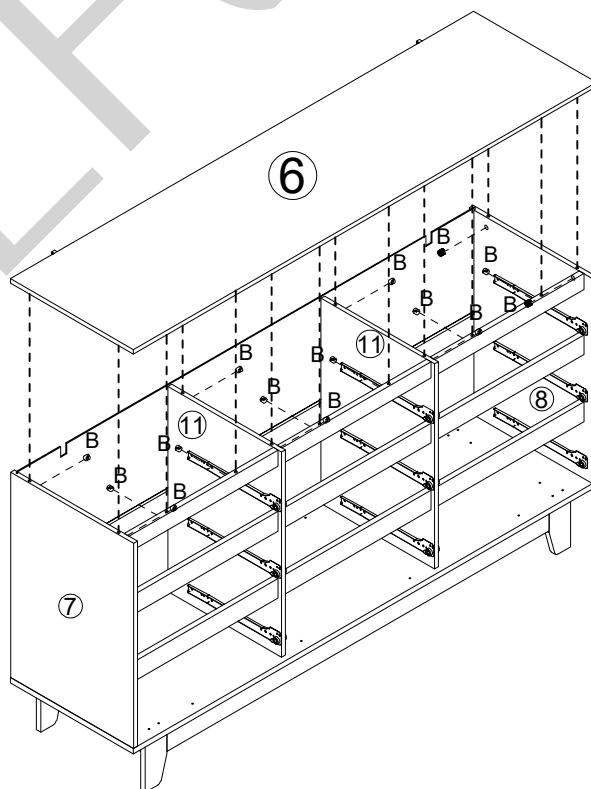
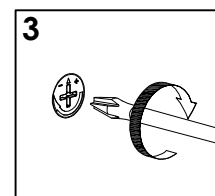
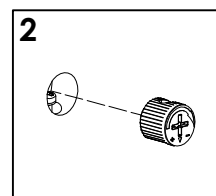
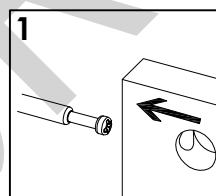
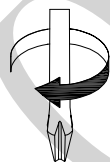


Ax14

Mx2

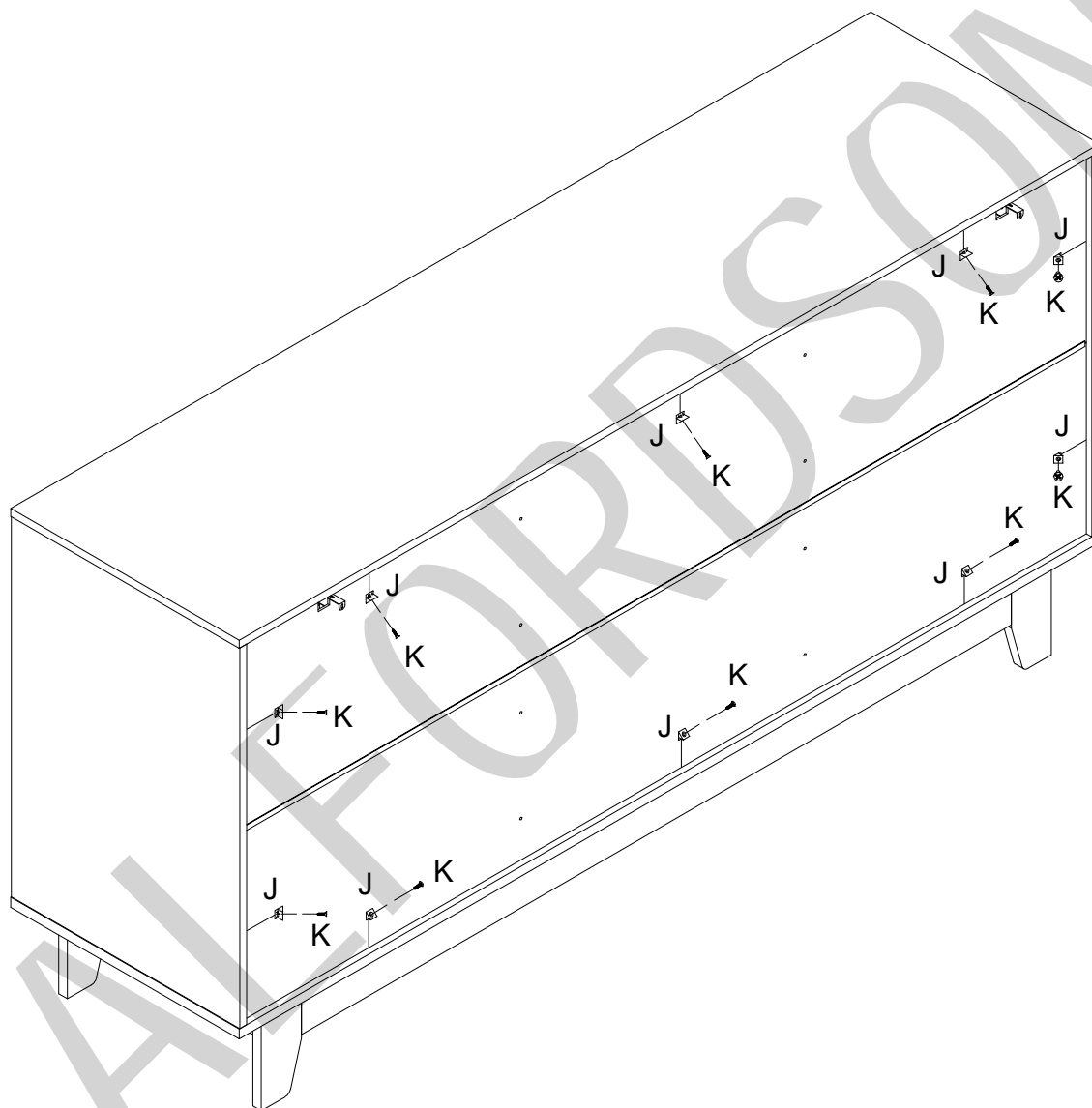
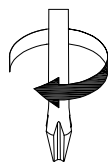
Nx2

STEP 18



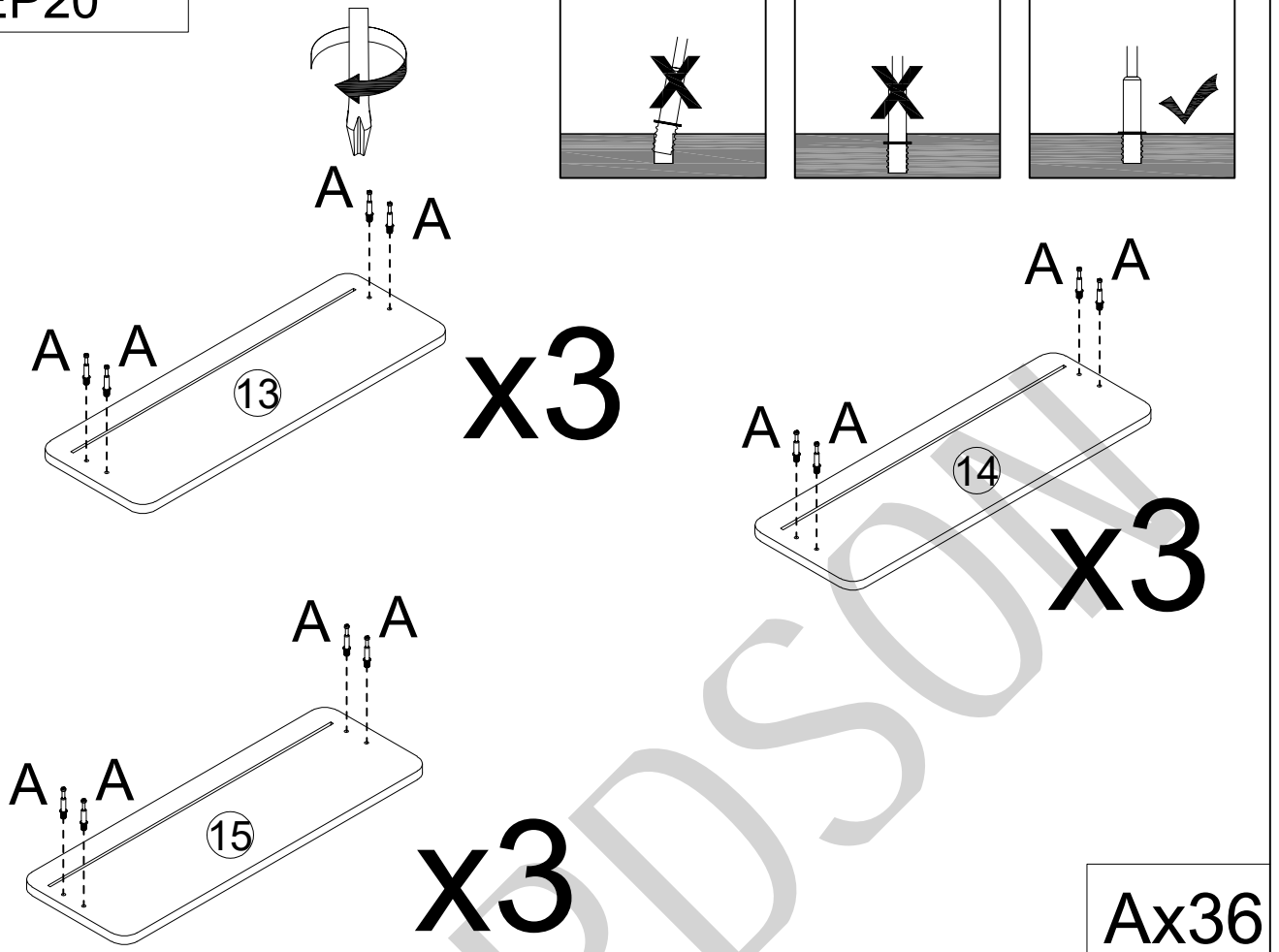
Bx14

STEP19

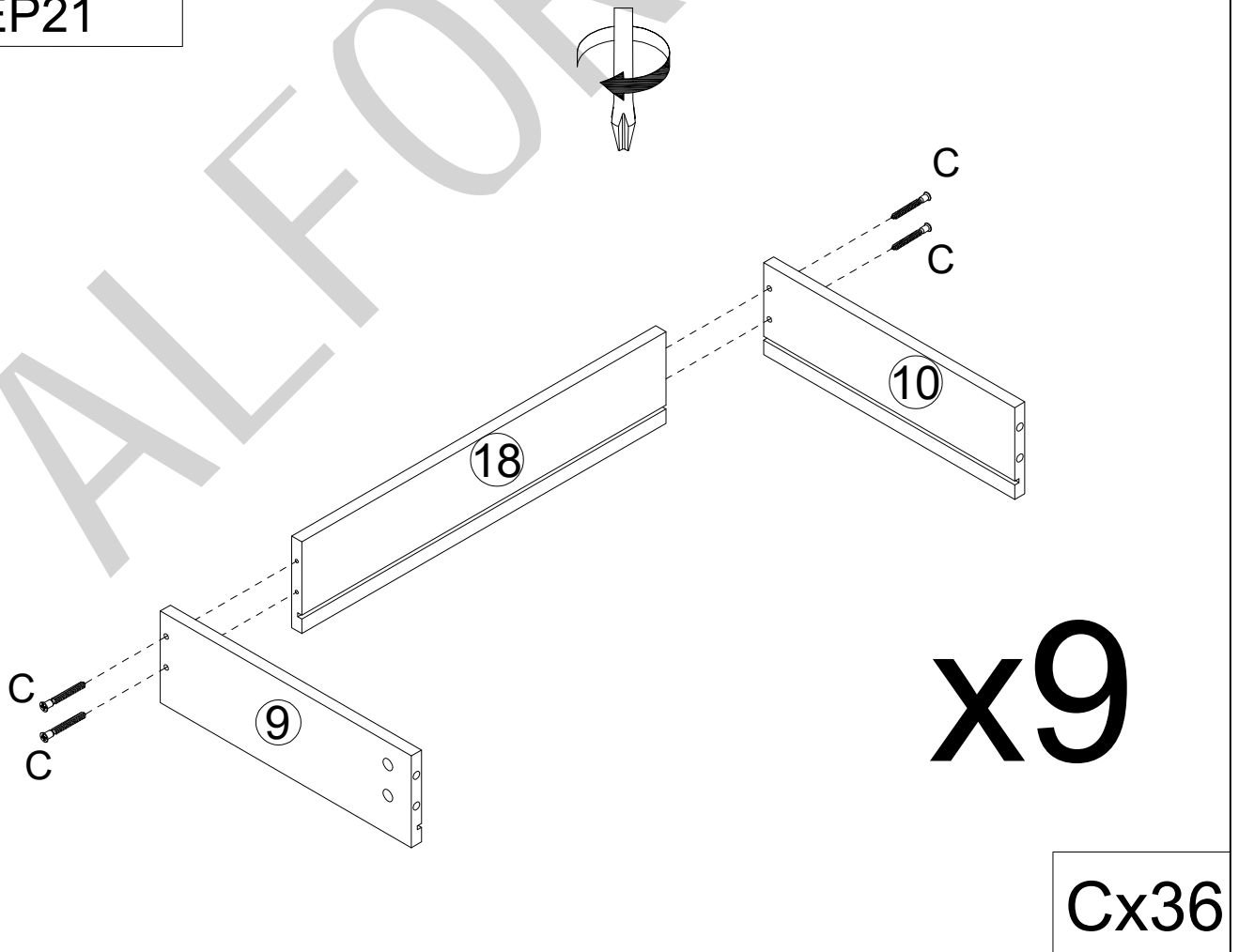


Jx10	Kx10
------	------

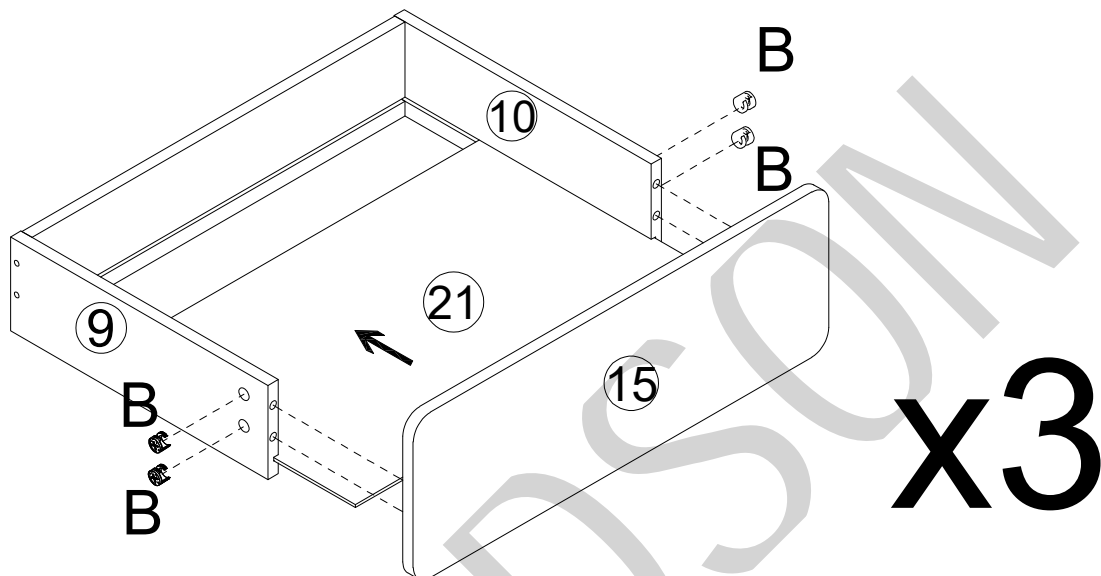
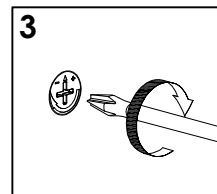
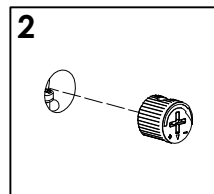
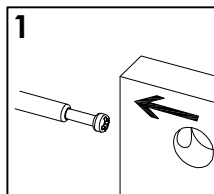
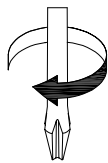
STEP20



STEP21

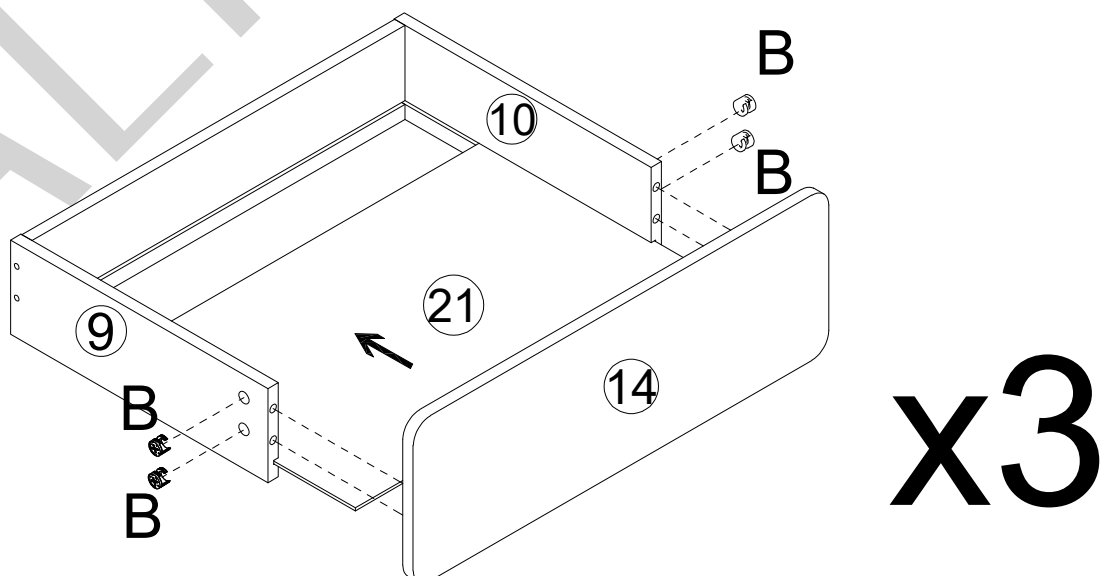
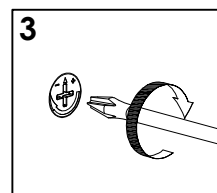
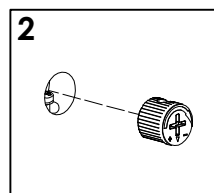
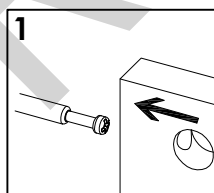


STEP22



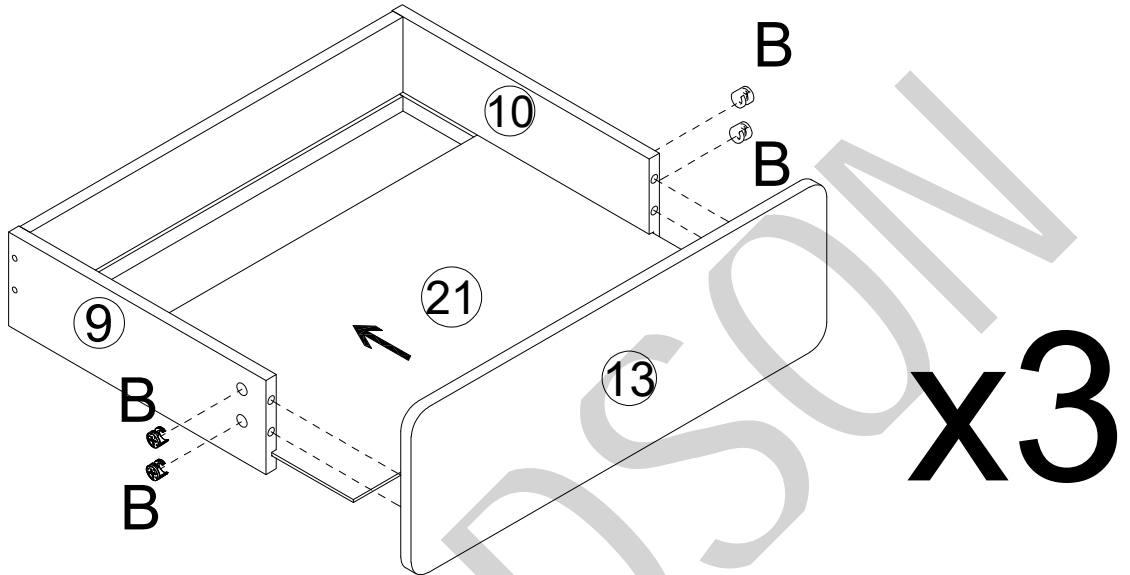
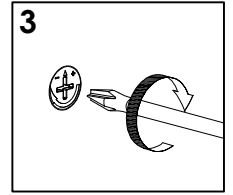
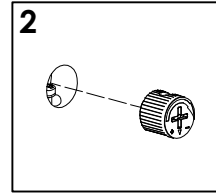
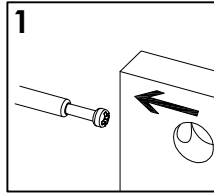
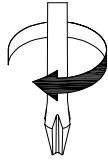
Bx12

STEP23



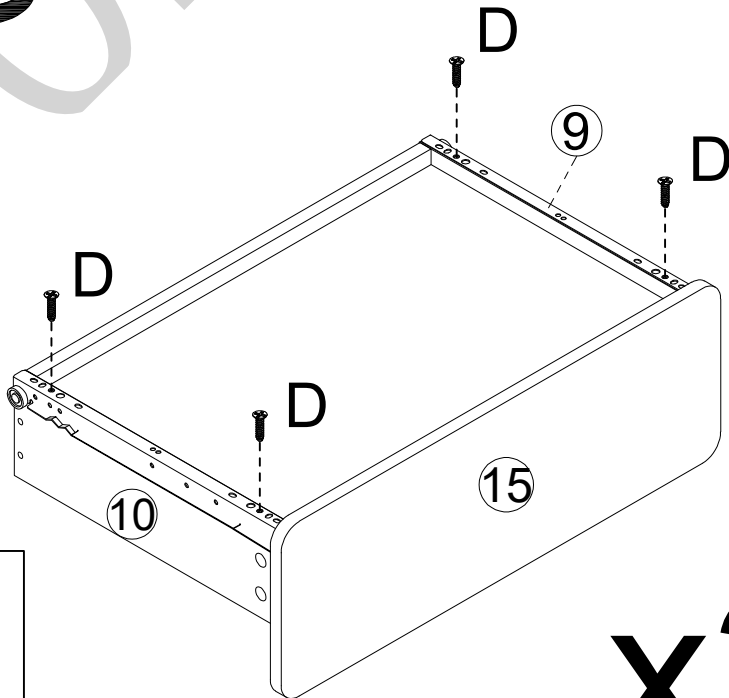
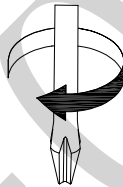
Bx12

STEP24



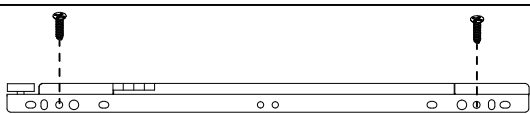
Bx12

STEP25

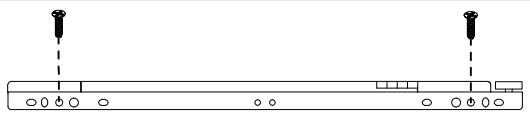


x3

Dx12

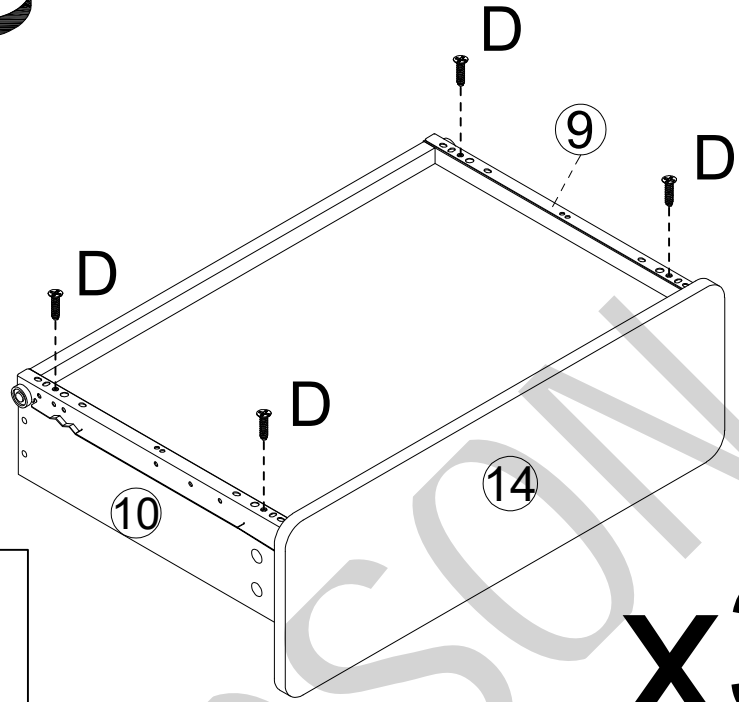
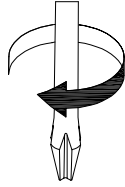


E-DLx3

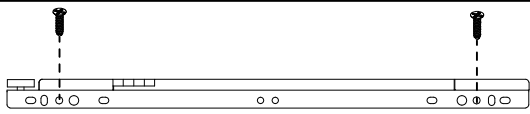


E-DRx3

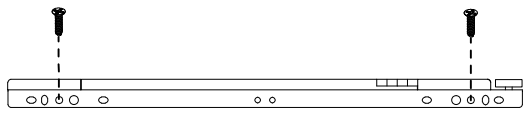
STEP26



x3



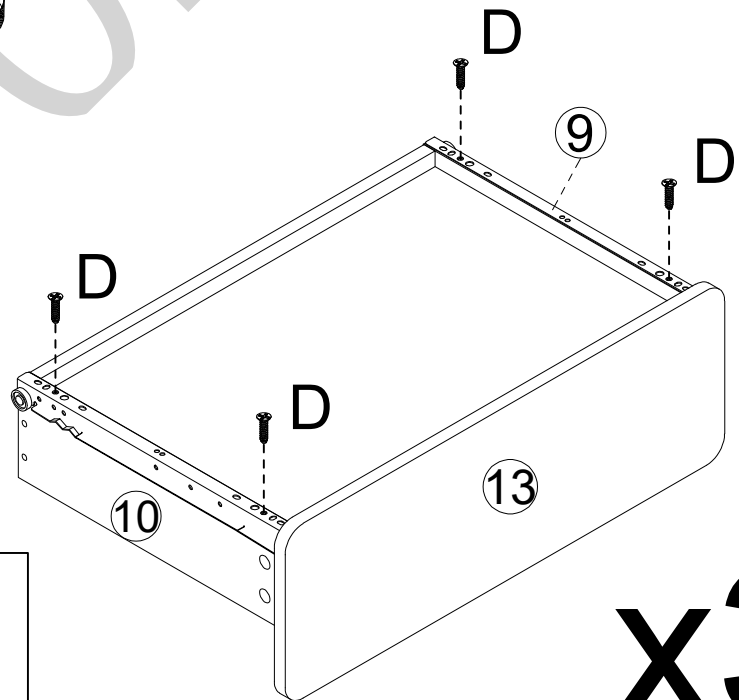
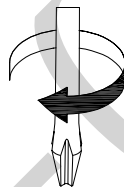
E-DLx3



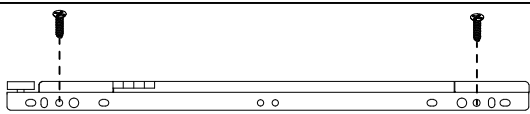
E-DRx3

Dx12

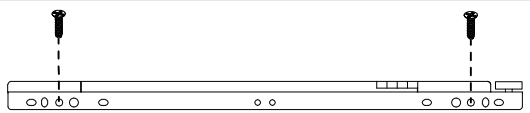
STEP27



x3



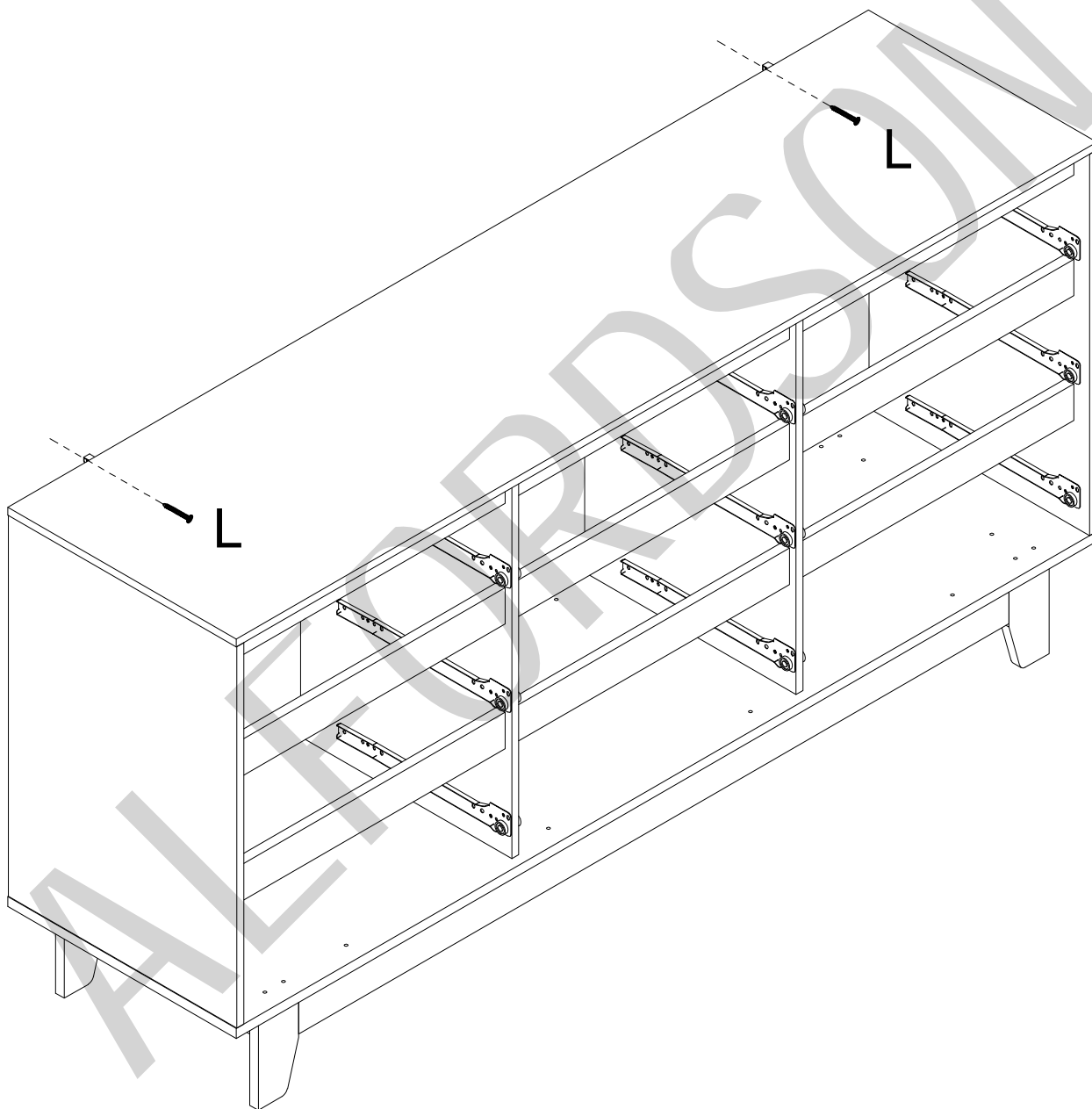
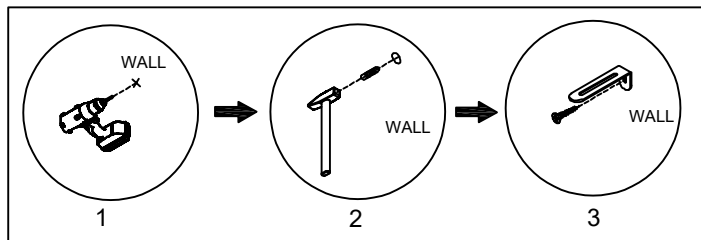
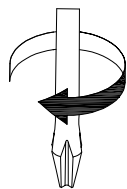
E-DLx3



E-DRx3

Dx12

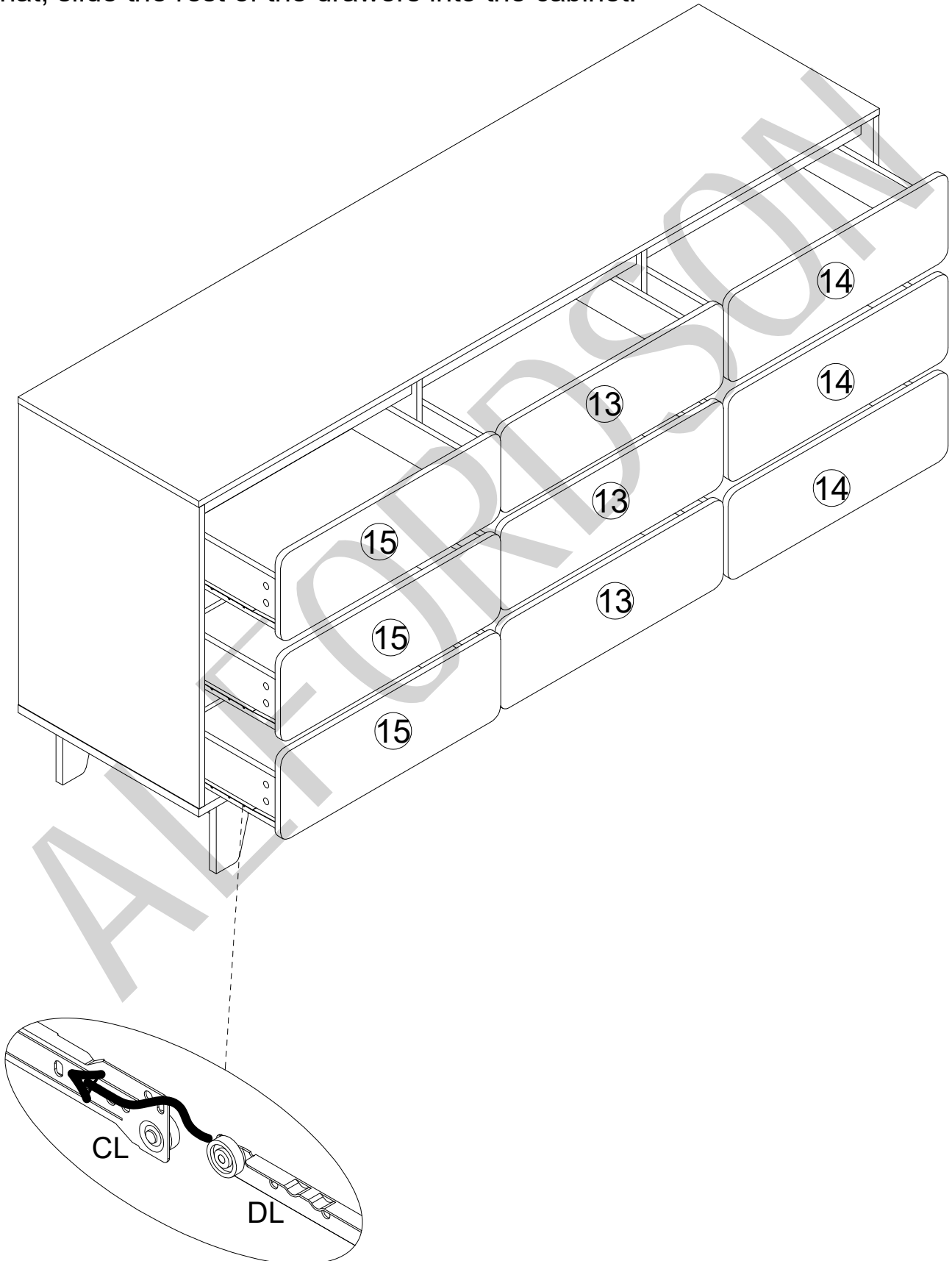
STEP28



Lx2

STEP29

Notes: If you find it hard to tell which drawers are for the left-hand side, and which are for the right-hand side, you could try this way. First sort out the 3 sets of drawers first. Then take 1 drawer out from each set and slide them into the cabinet to find out their right positions. After that, slide the rest of the drawers into the cabinet.



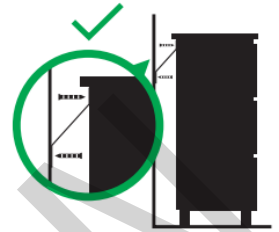
⚠ WARNING

Children have died from furniture tipover.

- ALWAYS secure it with an anchor device.
- NEVER allow children to stand, climb or hang on drawers, doors, or shelves.
- NEVER open more than one drawer at a time.
- Place heavy items down low.



**NEVER put a TV
on this furniture**



Dear Customers:

- We warmly welcome you to contact us at any time.
Kindly keep all the packaging until you believe that return is not needed.
- If anything goes wrong, kindly let us know before lodging Return Request, such as damaged parts, missing parts, change of mind etc. Our team will do our utmost to resolve the case to your ultimate satisfaction.
- Our customer service email: cs_ecom@hotmail.com.
- 100% Customer Satisfaction Guaranteed.