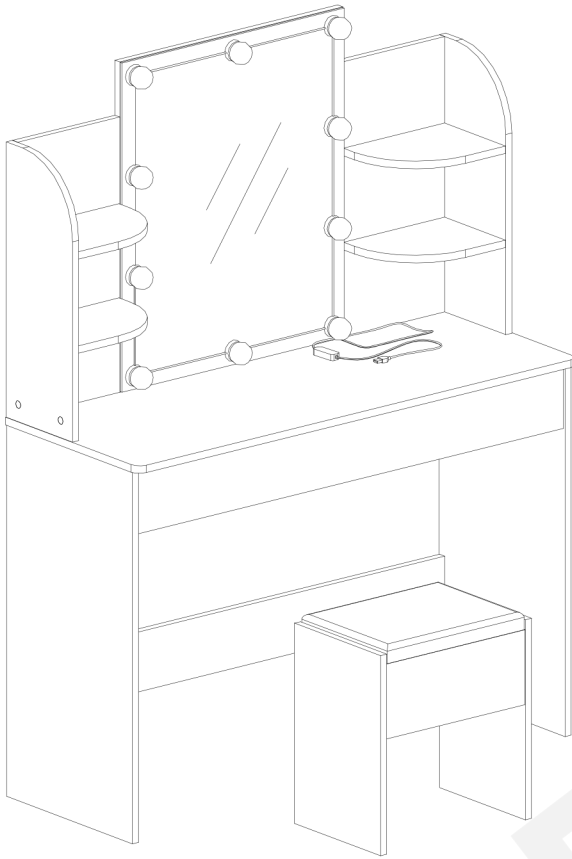
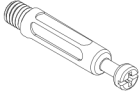

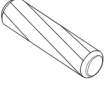

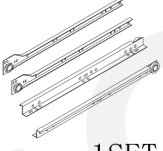
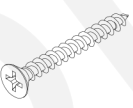
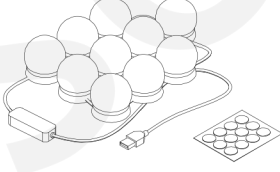
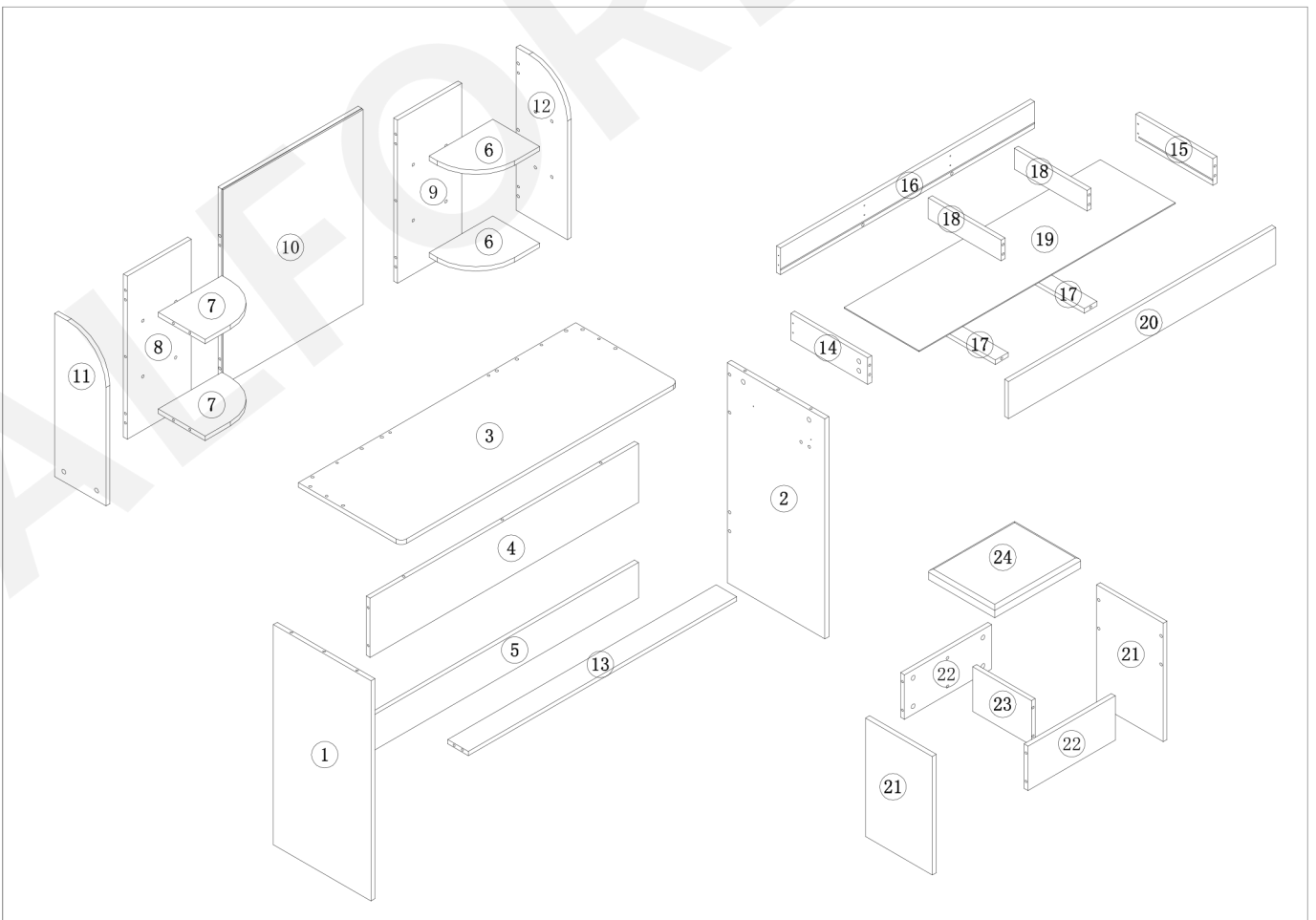


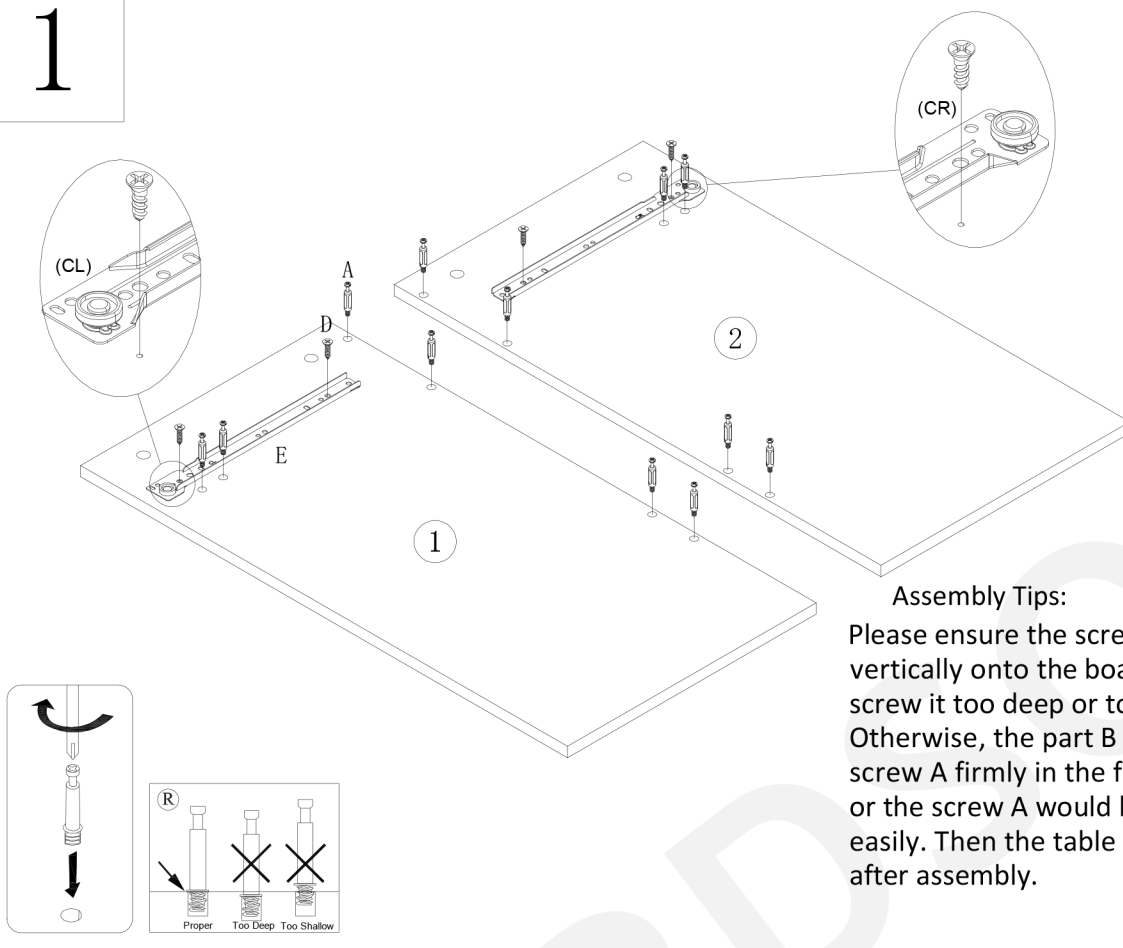
Assembly Instruction: A-DRES-SF



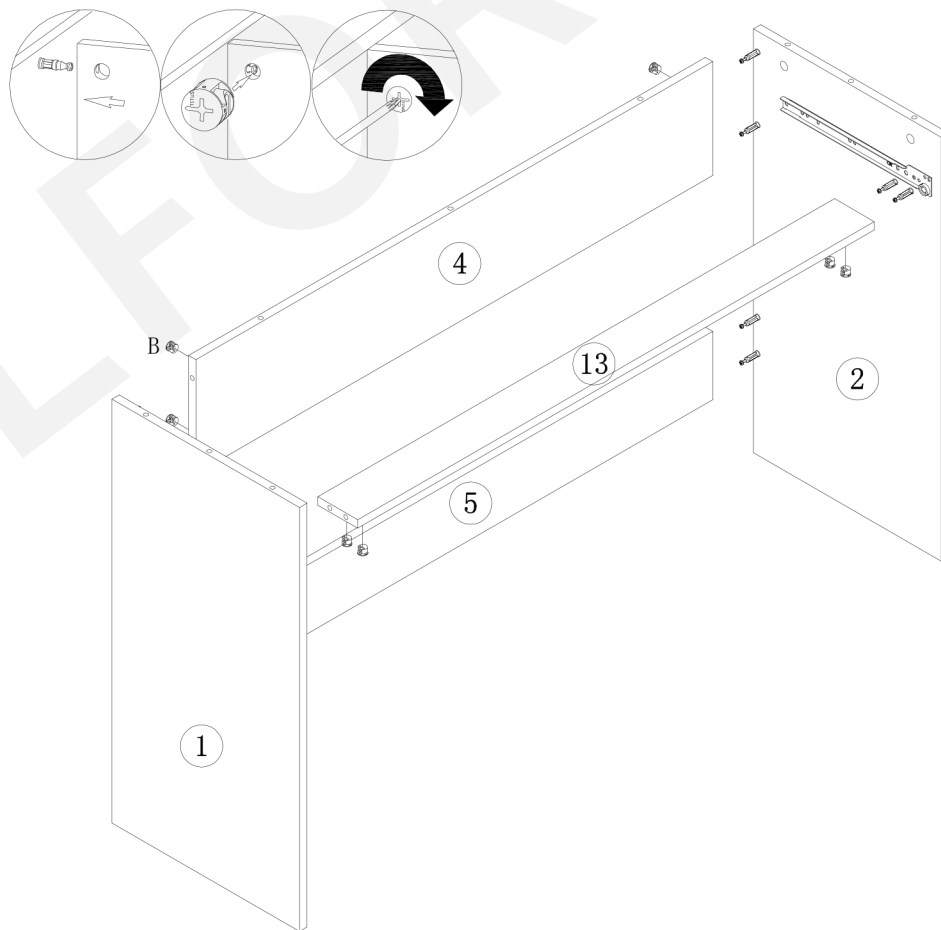
<p>A</p>  <p>81PCS</p>	<p>B</p>  <p>81PCS</p>
<p>C</p>  <p>16PCS</p>	<p>D</p>  <p>8PCS</p>
<p>E</p>  <p>1SET</p>	<p>F</p>  <p>8PCS</p>
<p>G</p>  <p>1SET</p>	



1

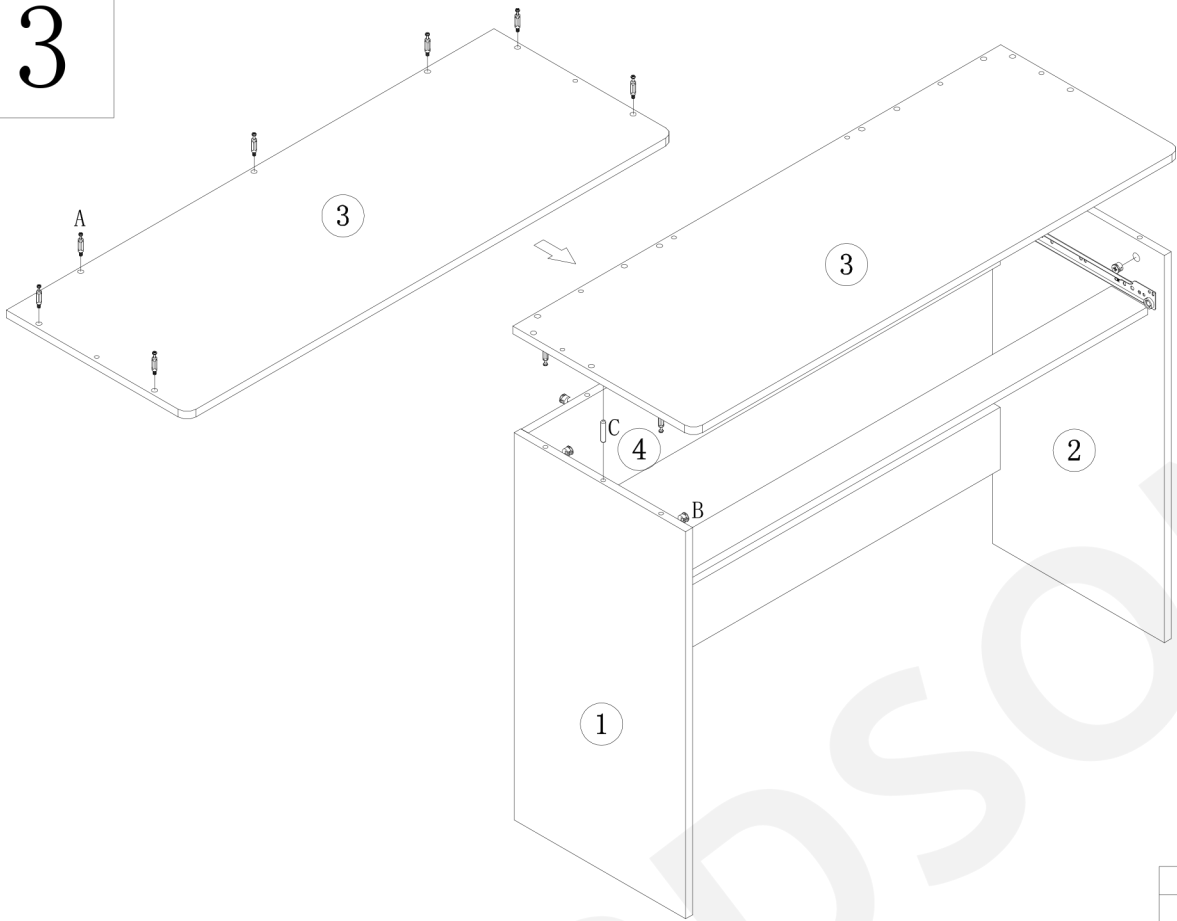


2



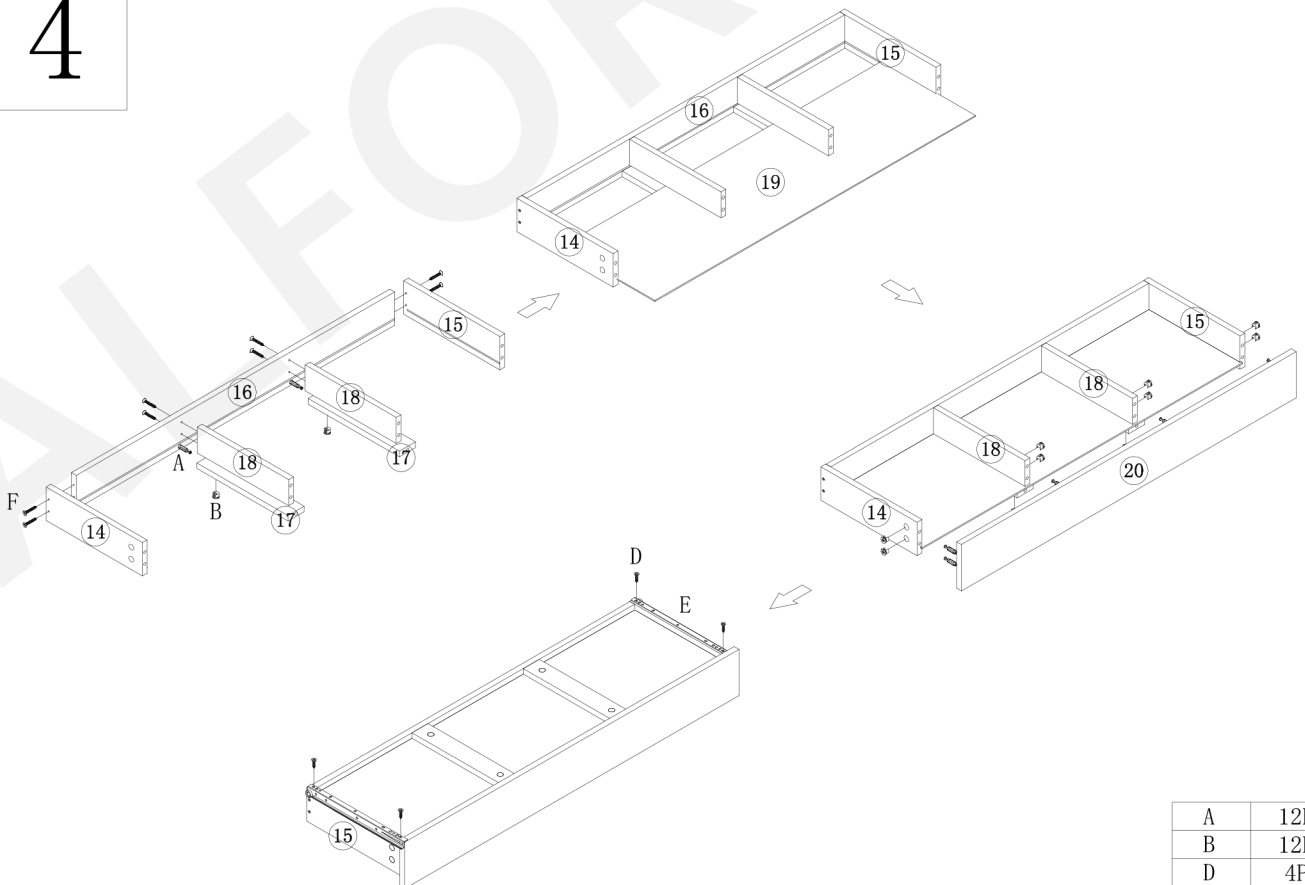
B	12PCS
---	-------

3



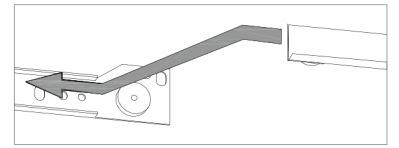
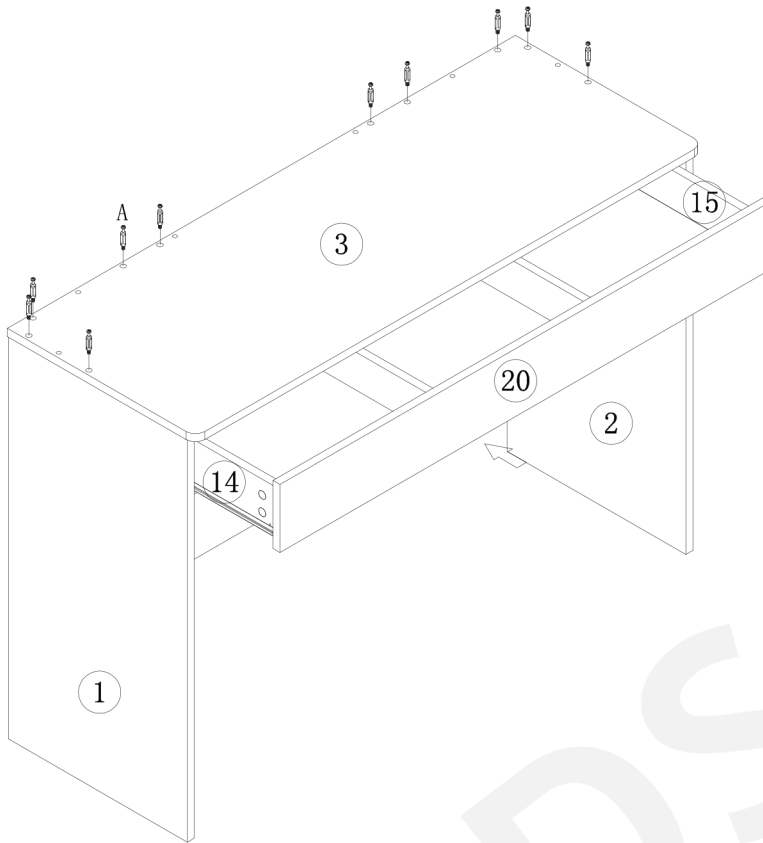
A	7PCS
B	7PCS
C	2PCS

4



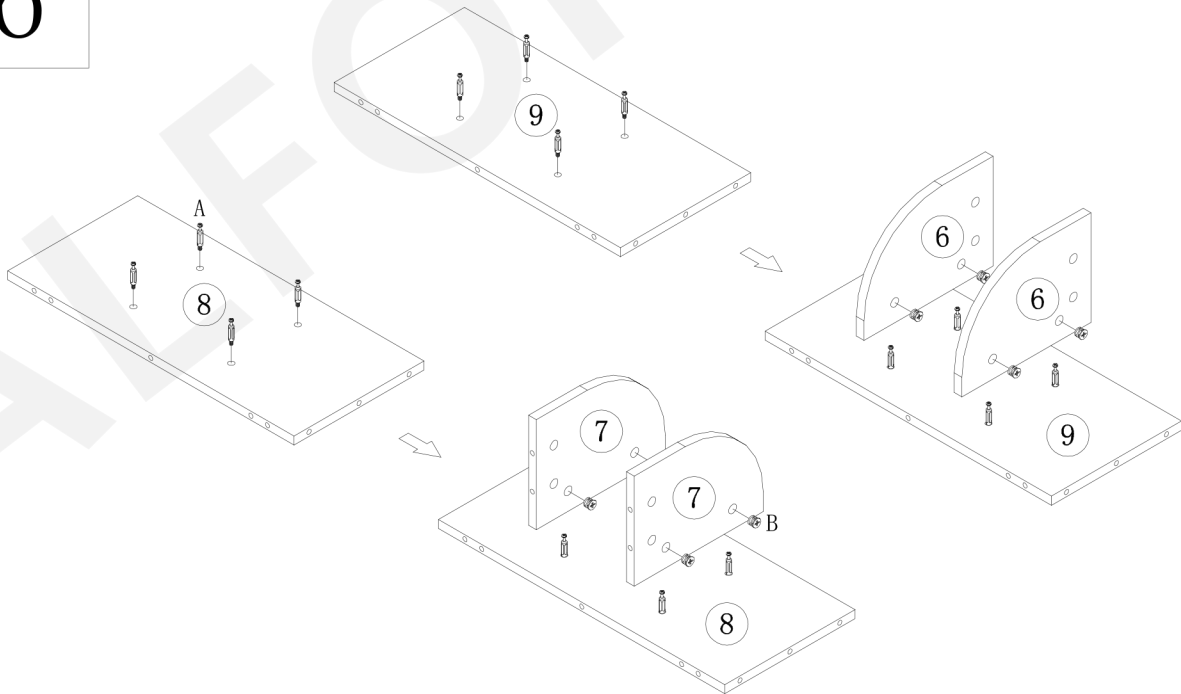
A	12PCS
B	12PCS
D	4PCS
E	2PCS
F	8PCS

5



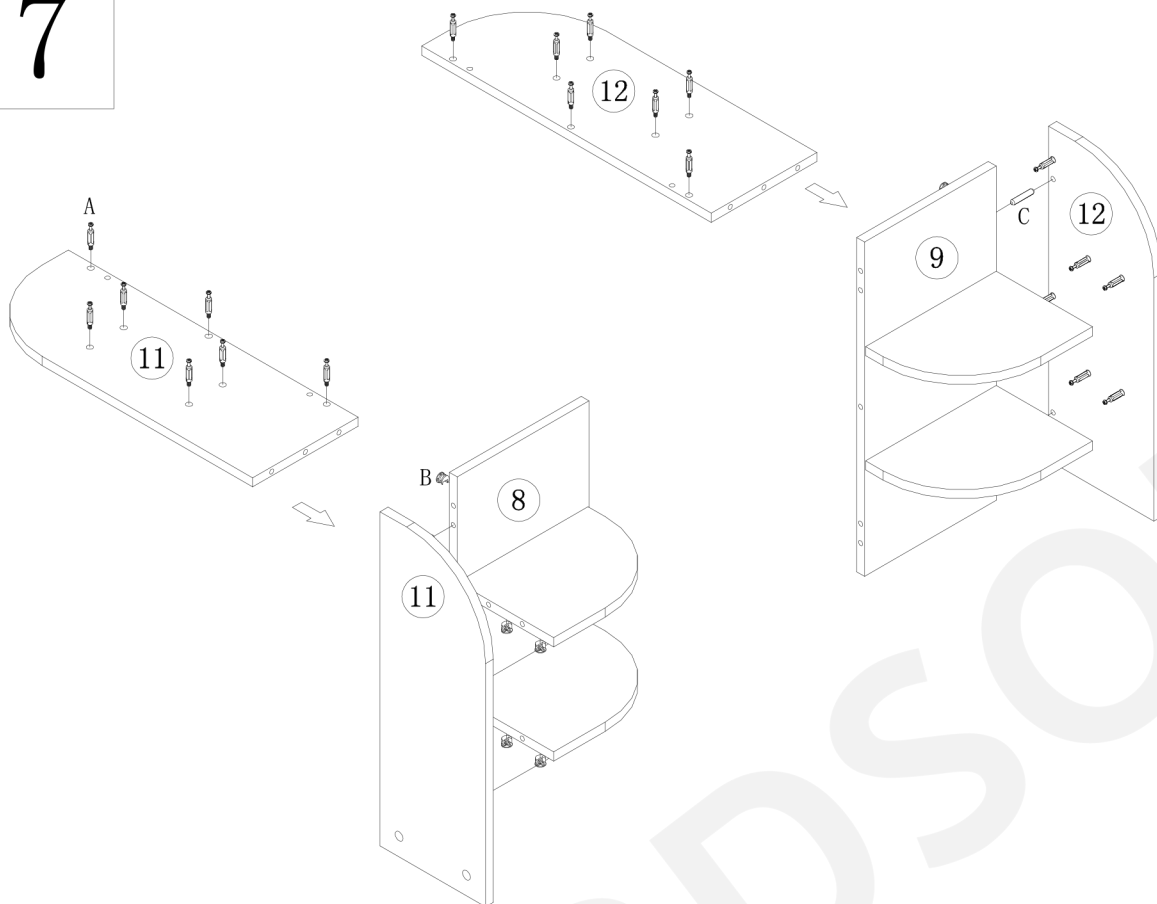
A	10PCS
---	-------

6



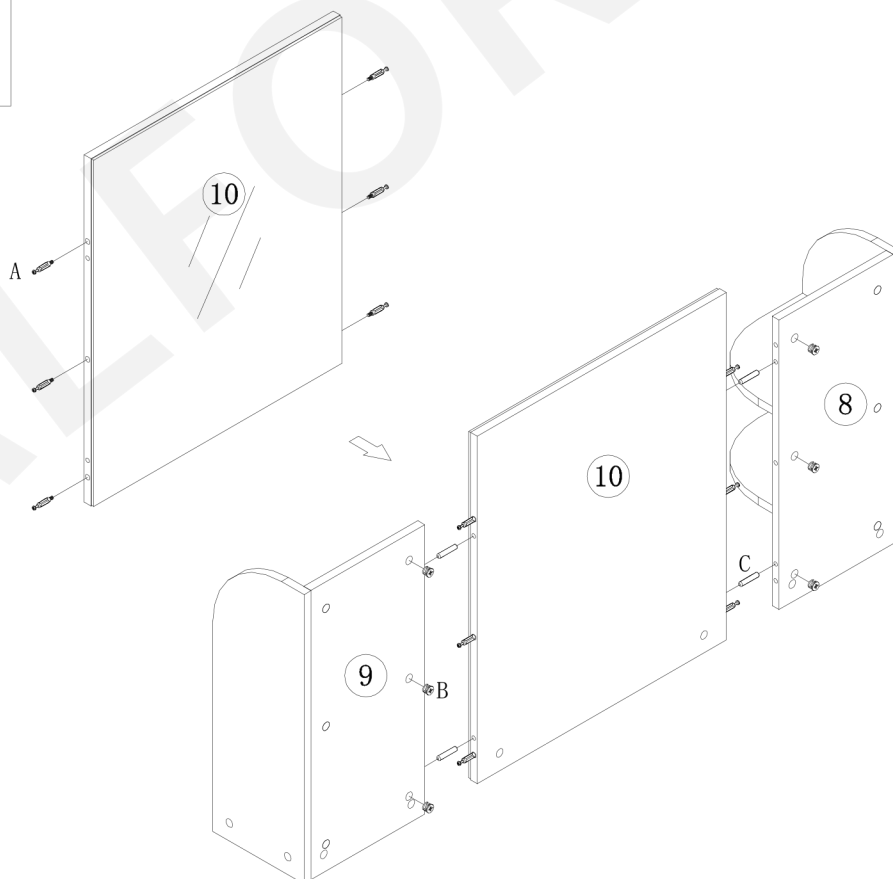
A	8PCS
B	8PCS

7



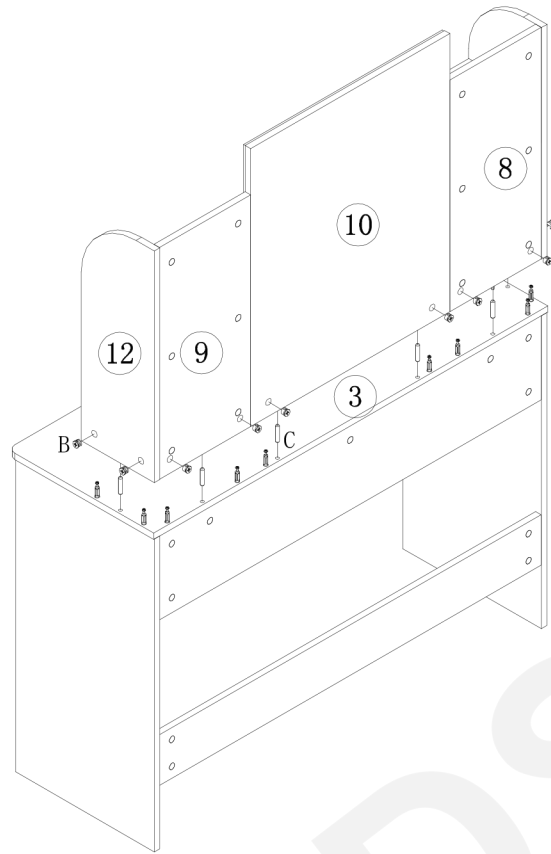
A	14PCS
B	14PCS
C	4PCS

8



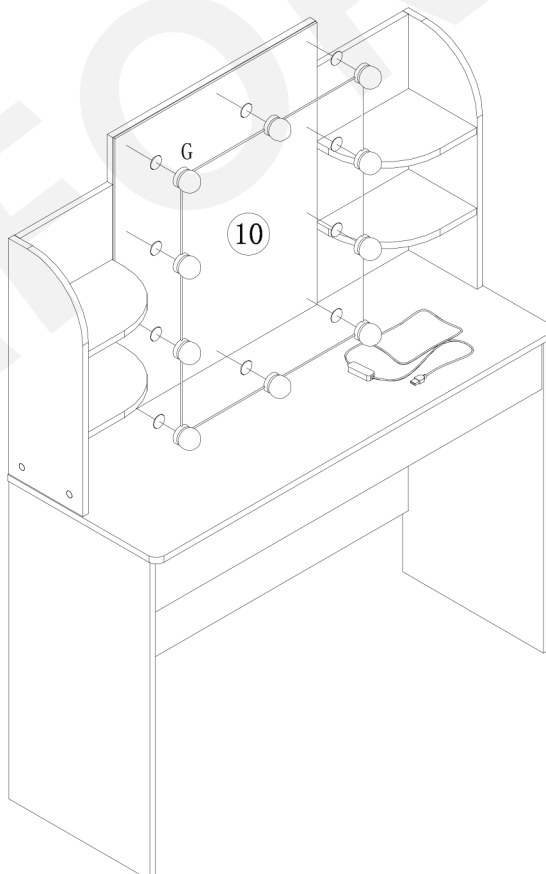
A	6PCS
B	6PCS
C	4PCS

9



B	10PCS
C	6PCS

10



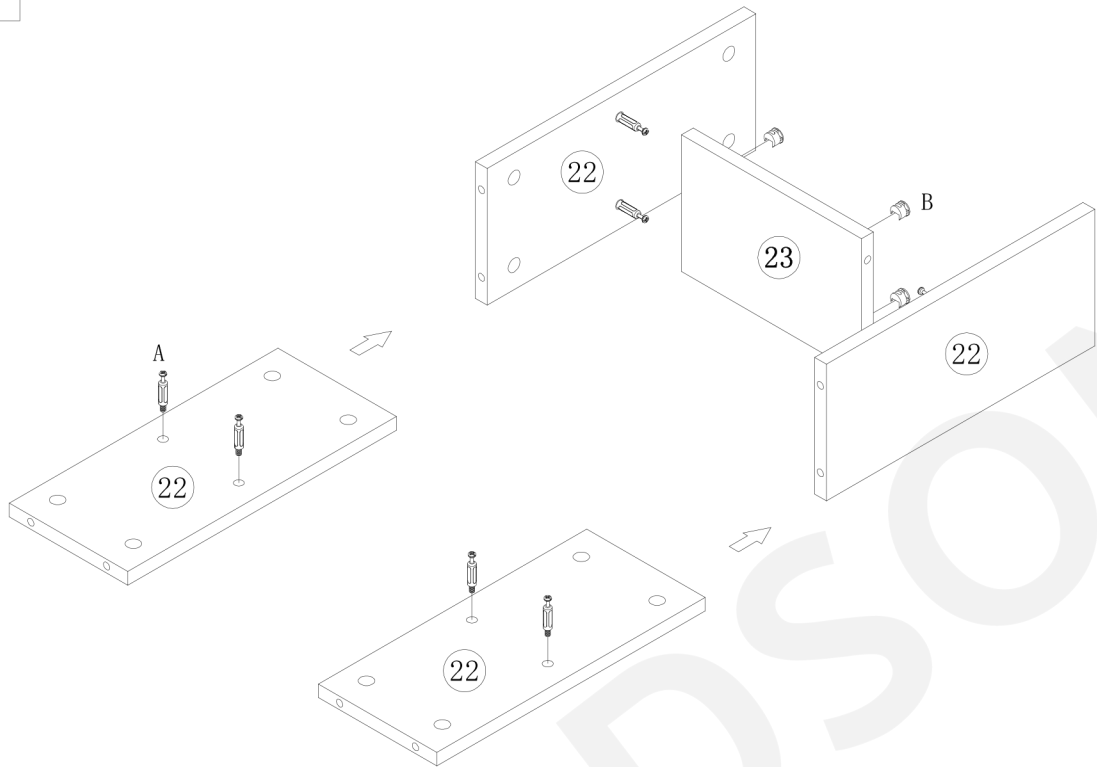
Assembly Tips:

- Check where you want to place the bulbs and use a marker to mark a symbol first.
- Place the round 3M mounting dots onto the symbols one by one.
- Take off the front sheets of the round mounting dots. Then stick the bulbs onto the mounting dots firmly.
- Rotate the bulb to adjust the wire distance between each bulb.
- Turn on/off the lights or adjust the lights by using the corded remote after you connect the USB plug into power adaptor.

▲The max power for the lights is 12W. Working voltage is 5V/2A. Therefore, please use 5V/2A power adaptor for connection.

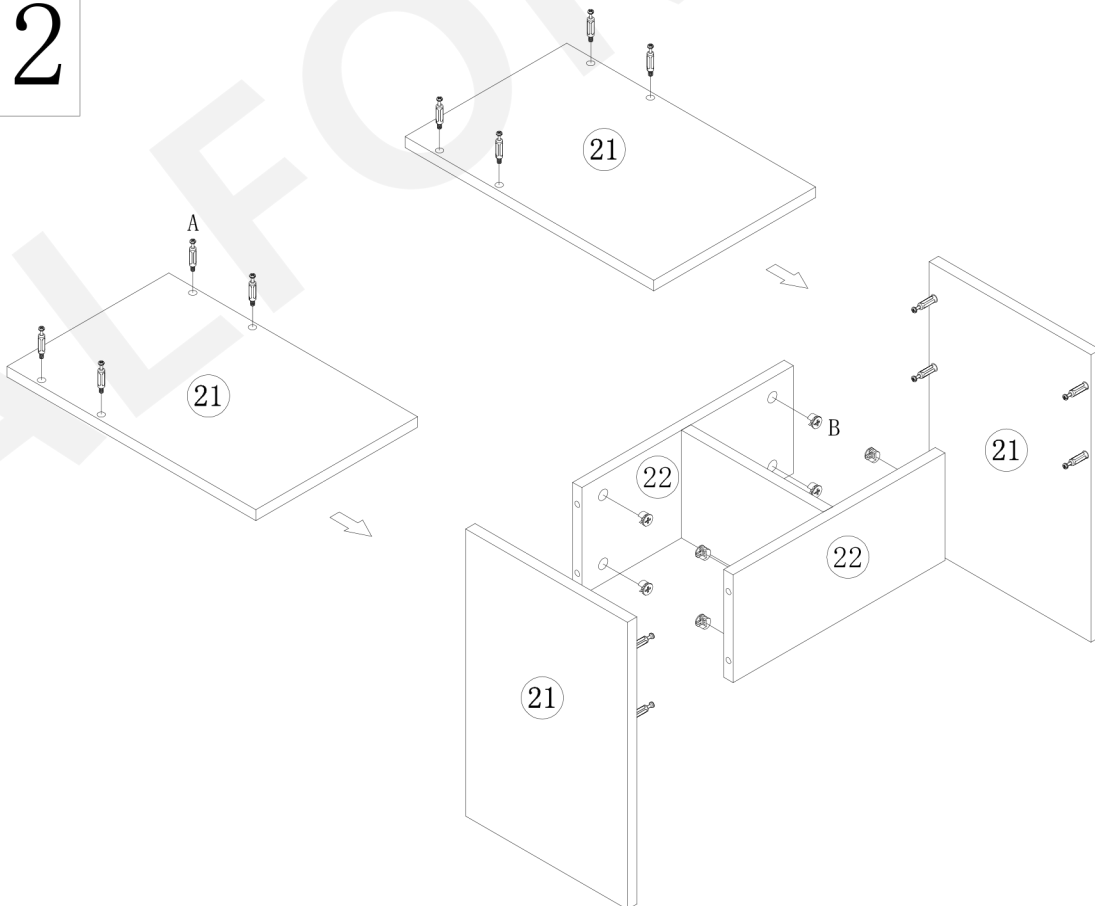
G	1SET
---	------

11



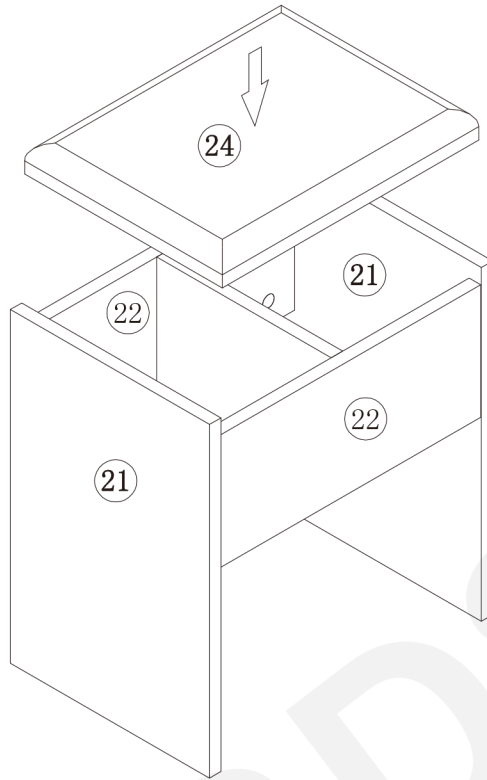
A	4PCS
B	4PCS

12

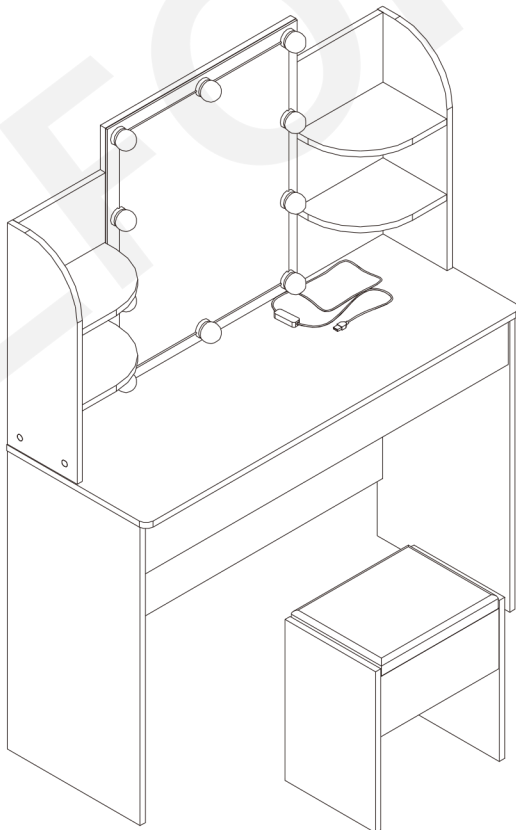


A	8PCS
B	8PCS

13



14



Dear Customers:

- We warmly welcome you to contact us at any time.
- Kindly keep all the packaging until you believe that return is not needed.
- If anything goes wrong, kindly let us know before lodging Return Request, such as damaged parts, missing parts, change of mind etc. Our team will do our utmost to resolve the case to your ultimate satisfaction.
- Our customer service email: cs_ecom@hotmail.com
- 100% Customer Satisfaction Guaranteed