

# ALFORDSON®

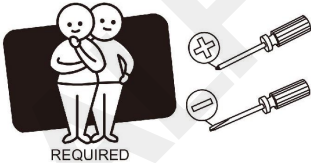
Wooden Bed Frame

Model: BF-W-FEN-D

BF-W-FEN-K



TWO PEOPLE



REQUIRED

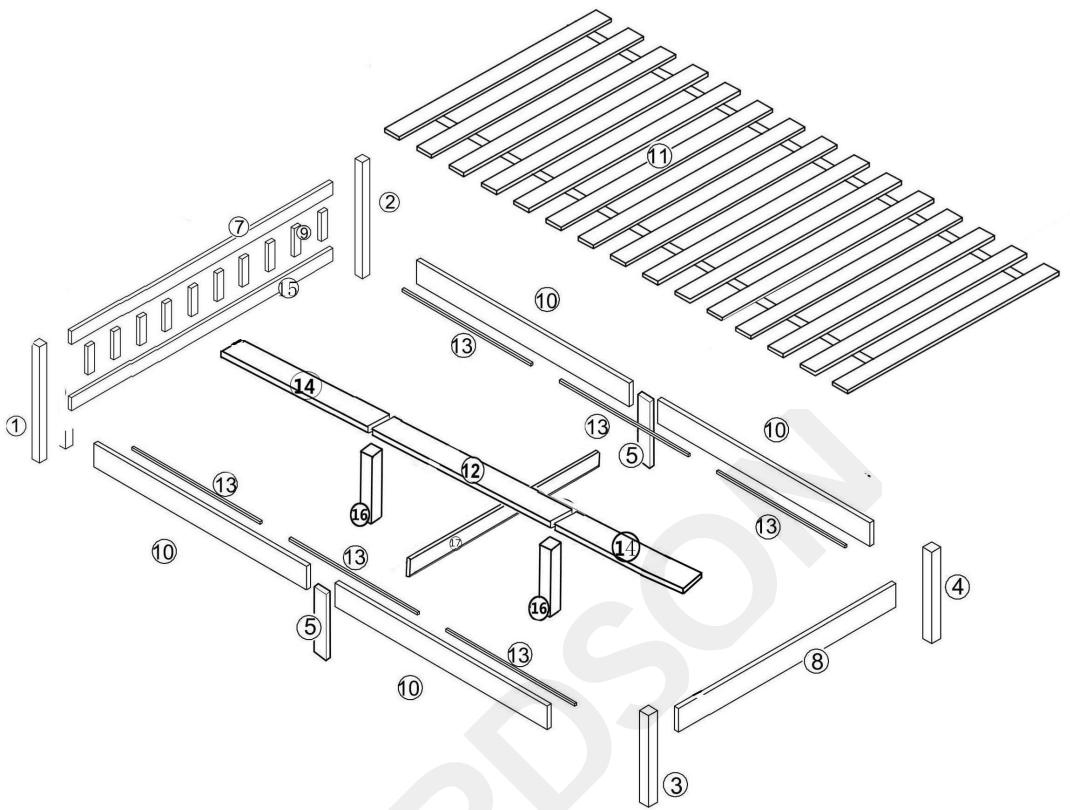
## Dear Customers:







- We warmly welcome you to contact us at any time.
- Kindly keep all the packaging until you believe that return is not needed.
- If anything goes wrong, kindly let us know before lodging Return Request. Such as damaged parts, missing parts, change of mind etc; Our team will do our utmost to resolve the case to your ultimate satisfaction.
- Our customer service email: [cs\\_ecom@hotmail.com](mailto:cs_ecom@hotmail.com)
- 100% Customer Satisfaction Guaranteed





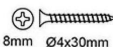

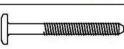
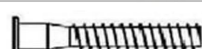

## NOTE:

- Read through the instructions carefully before you begin.
- Make sure you have all the required tools. **Do not use power tools.**
- Identify and lay out all of the components before you begin assembly.
- Place the parts on soft surface (such as carpet or cardboard) when assembling your product to avoid scratching or damaging the surface.
- Check the components and make sure they are in right position before assembly. Make sure the hardware is correct.
- Do not fully tighten all screws until the step/process is finished.
- Never use any glue until you are certain that the parts should be connected together.

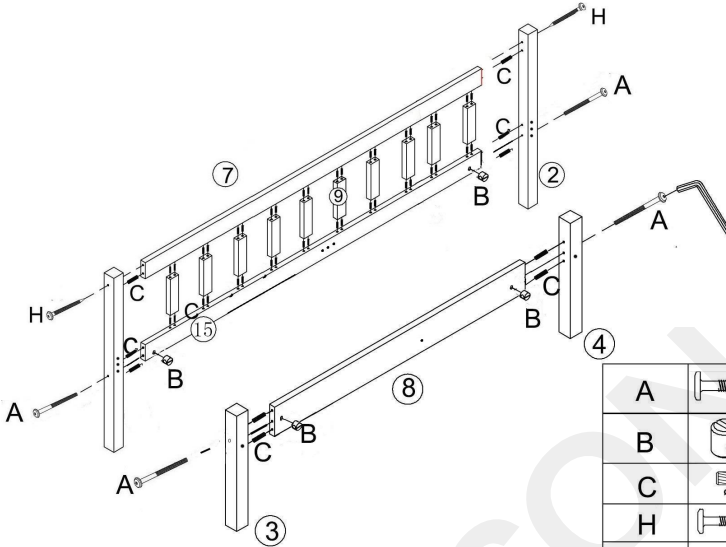
# PARTS



A	 15mm	12
B		14
C	 Ø8x30mm	68
D		02
E		04
F		04

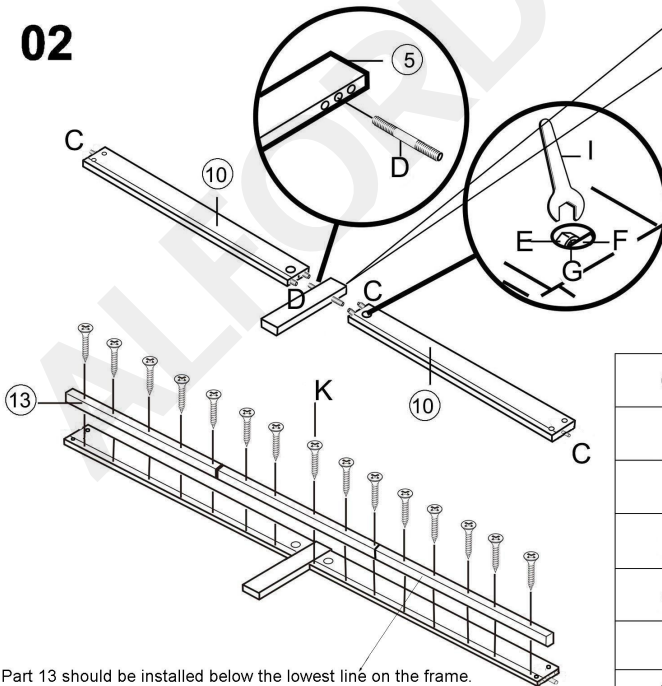
G		04
H		02
I		01
J		01
K	 8mm Ø4x30mm	60
L	 15mm	16
M	 15mm	02
N		06
S	 15mm	02

# 01



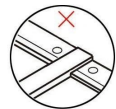
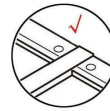
A		04
B		04
C		50
H		02
J		01

# 02



Attention: 1. When you are assembling, the pathway of the bedside must be face down

2. The inner side of the middle leg is the same level with the bedside, and the outer side of the middle leg is located on the outside of the bedside

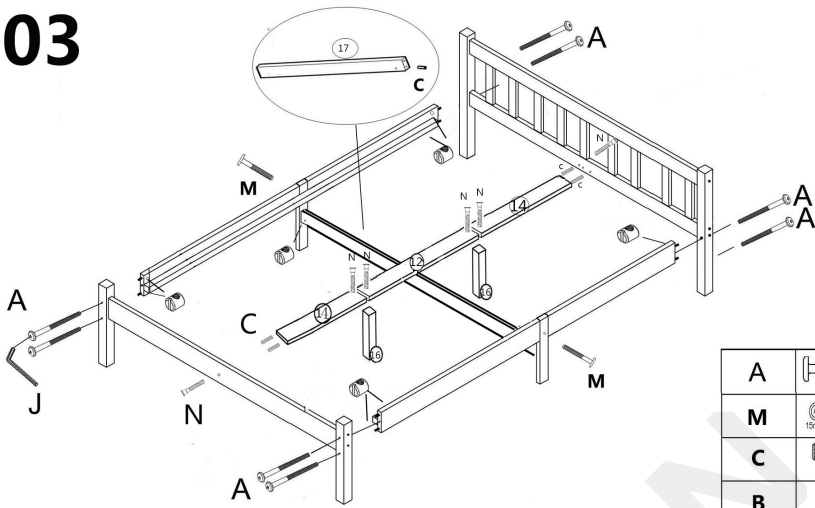





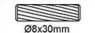

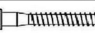
C		12
D		2
E		4
F		4
G		4
I		1
K		30

Part 13 should be installed below the lowest line on the frame.

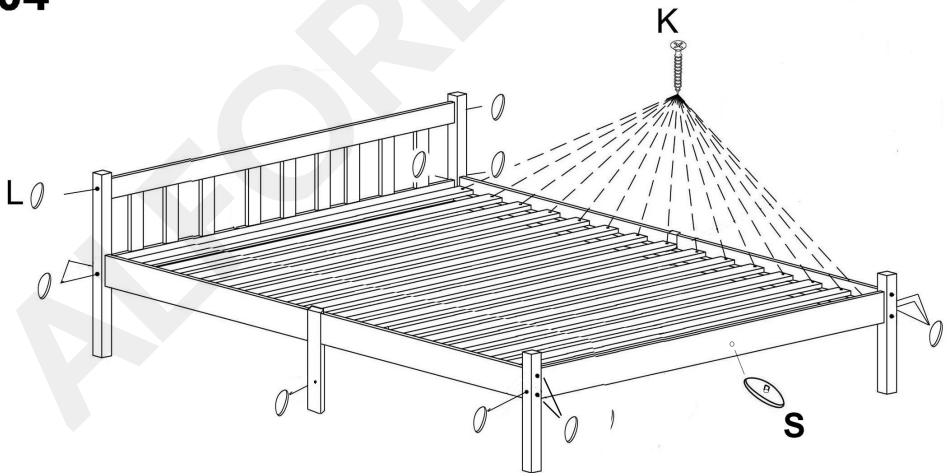
Note: Do not install in the middle of the two lines.




# 03



A	 Ø6x80mm	8
M	 15mm  Ø6x20mm	2
C	 Ø6x30mm	6
B		10
N		6

# 04



K	 Ø3.5x30mm	30
L		16
S	 15mm	2