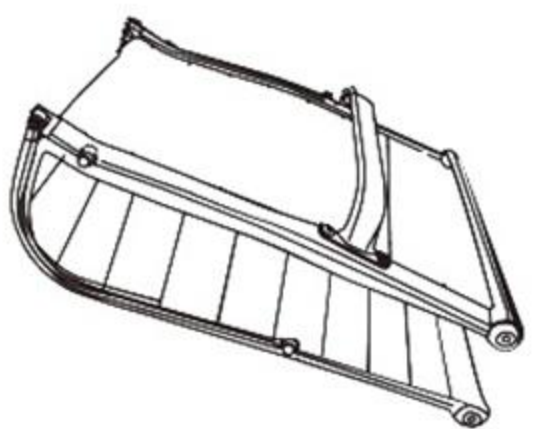
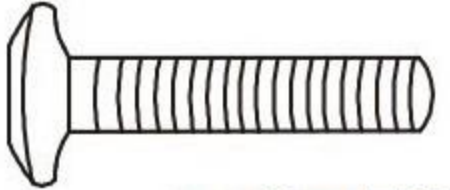
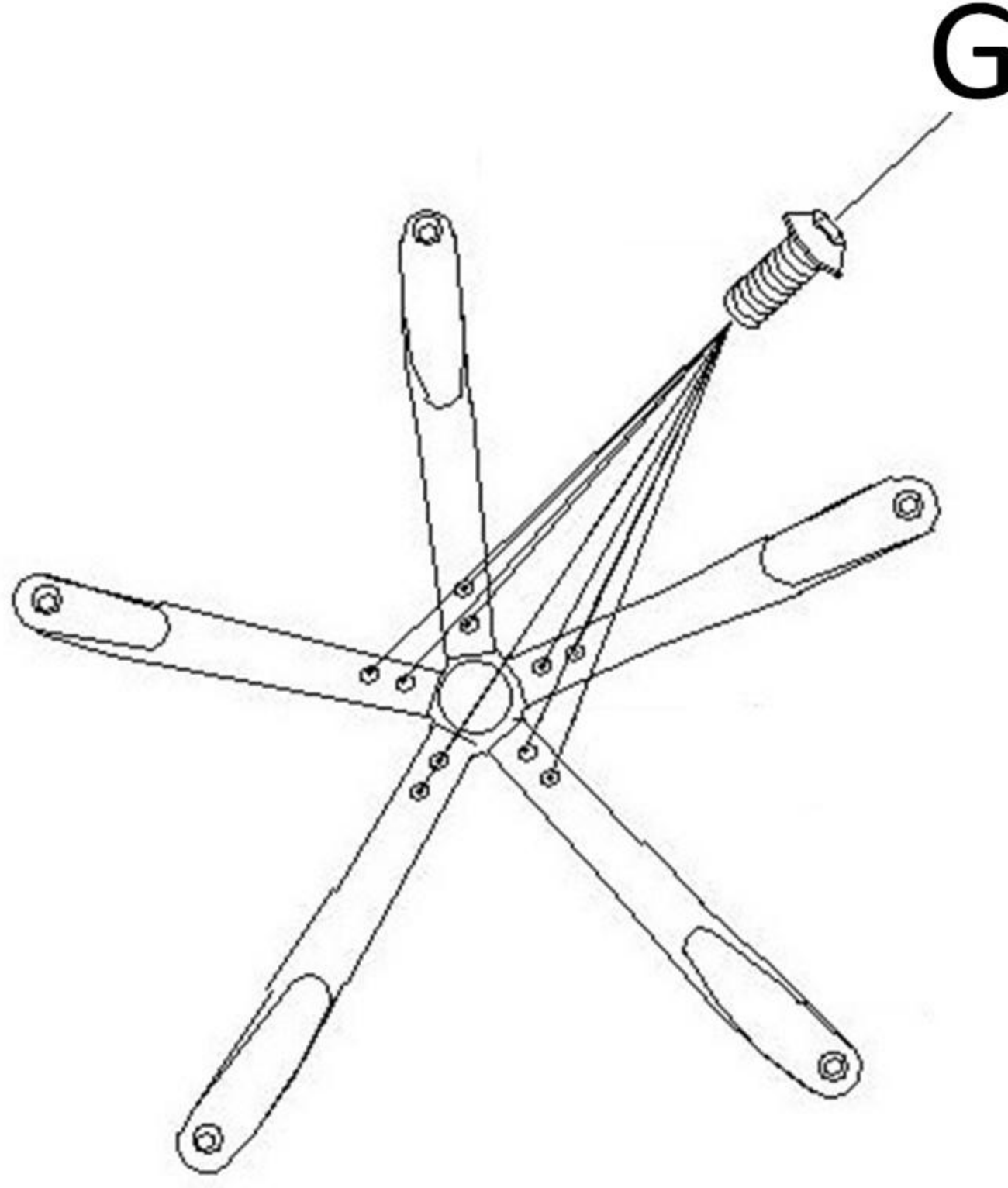
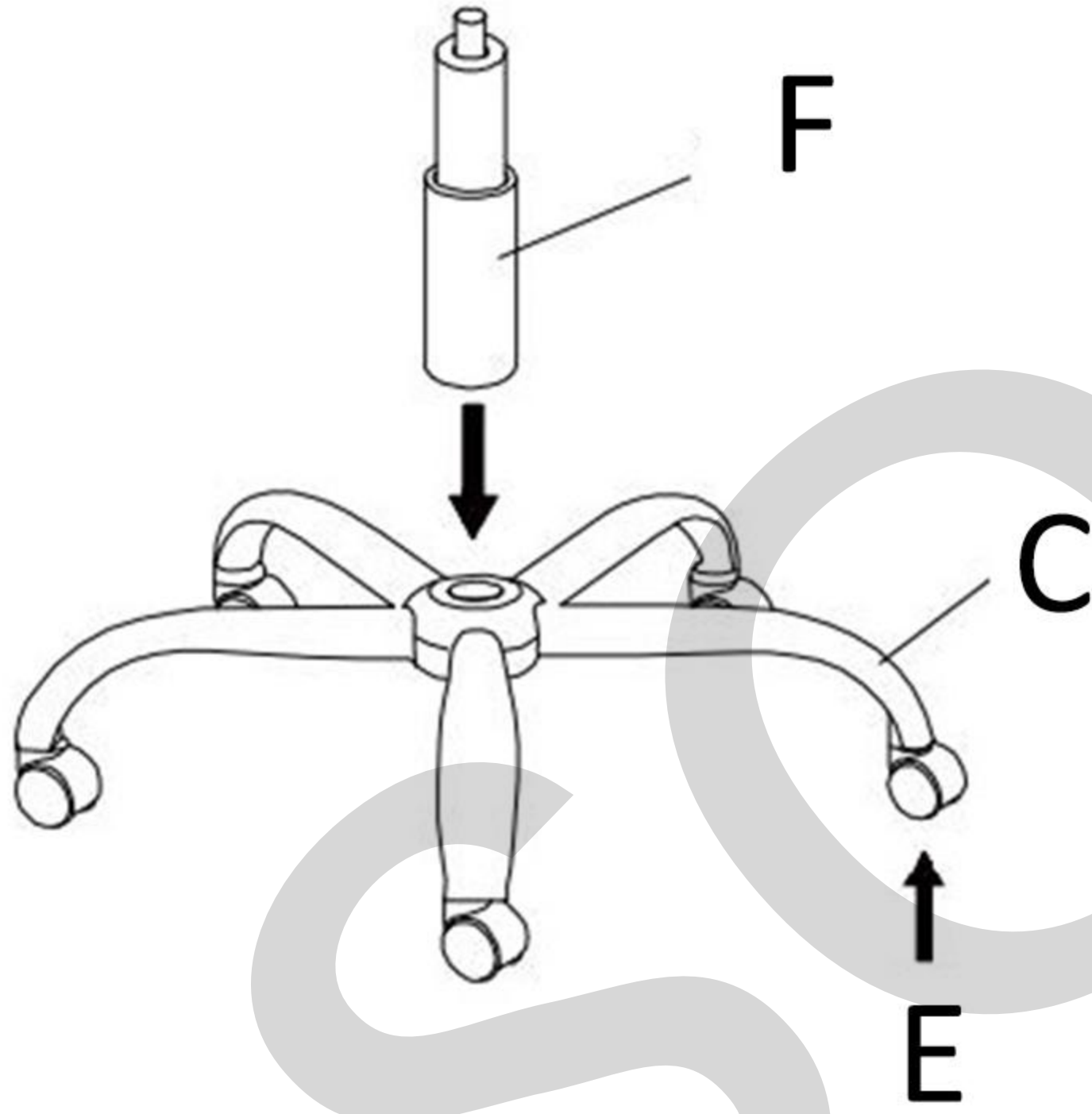
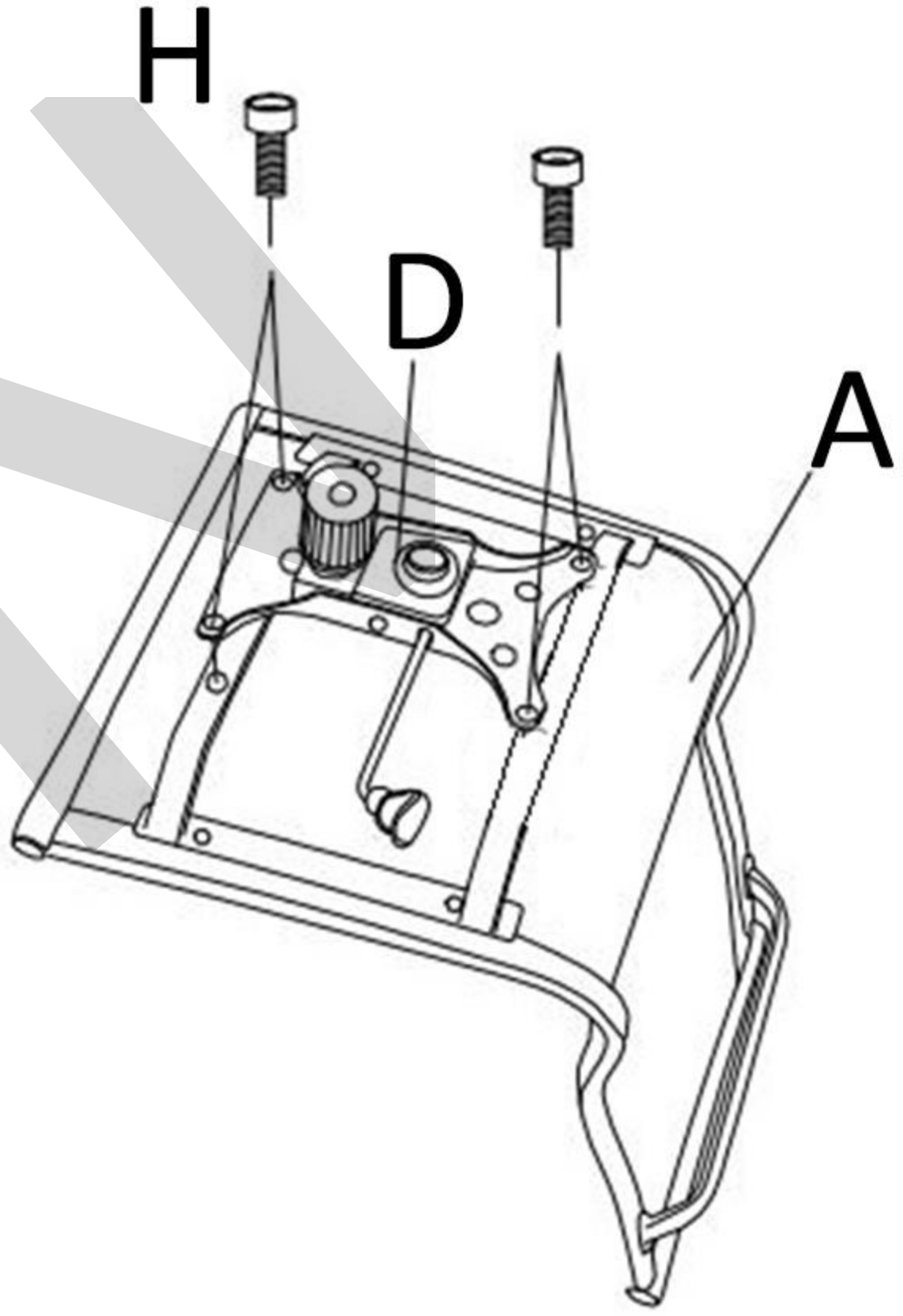


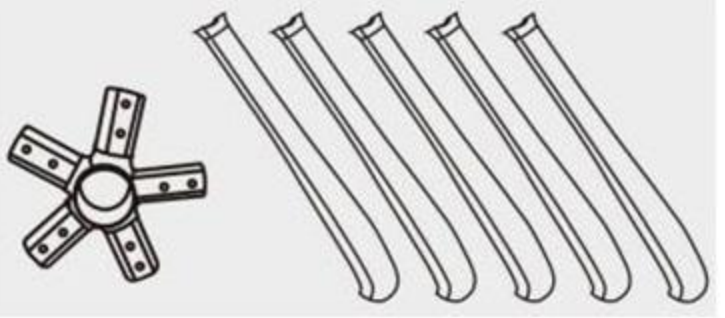
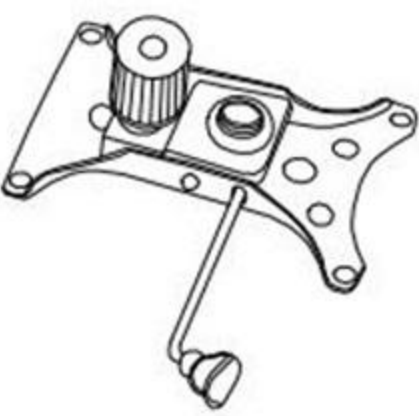

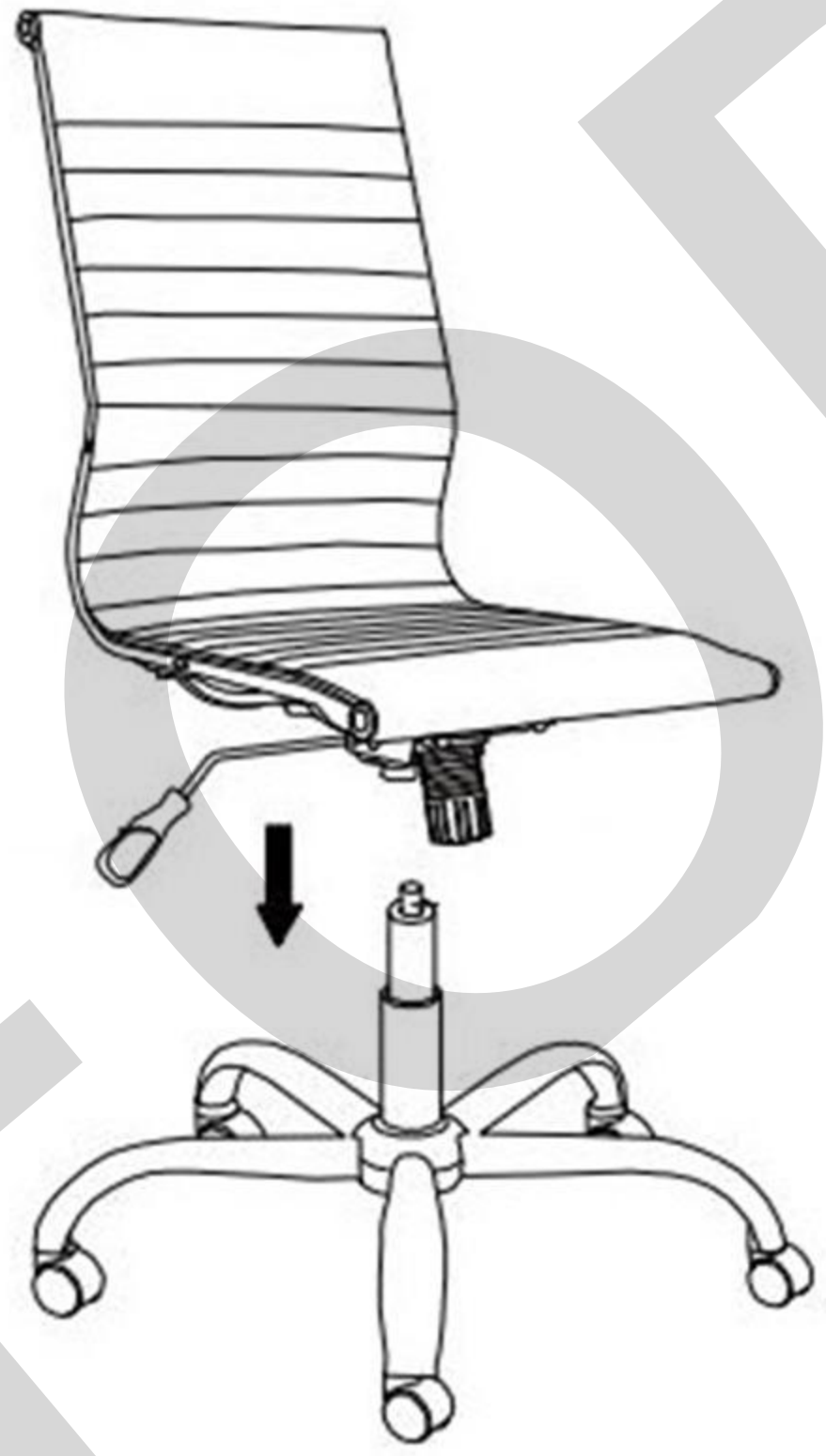
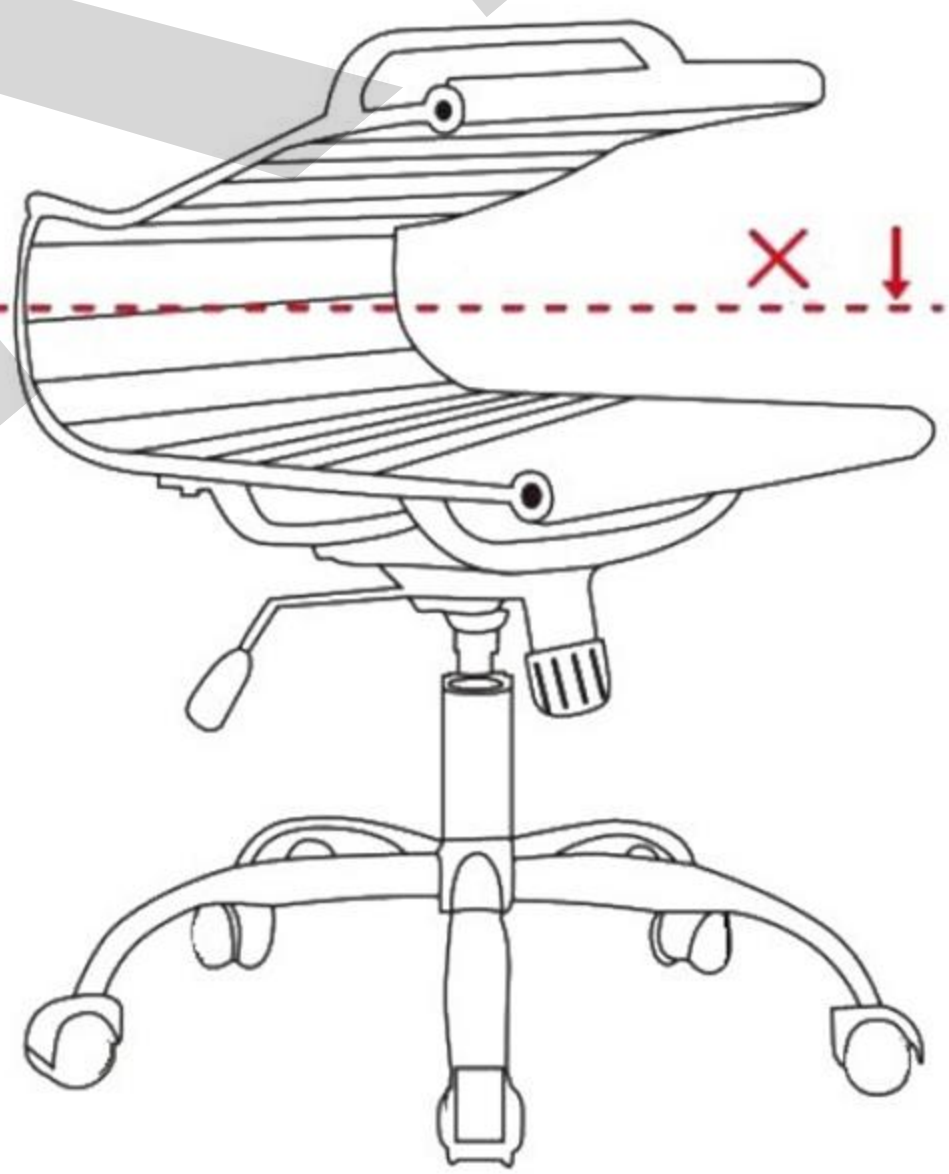
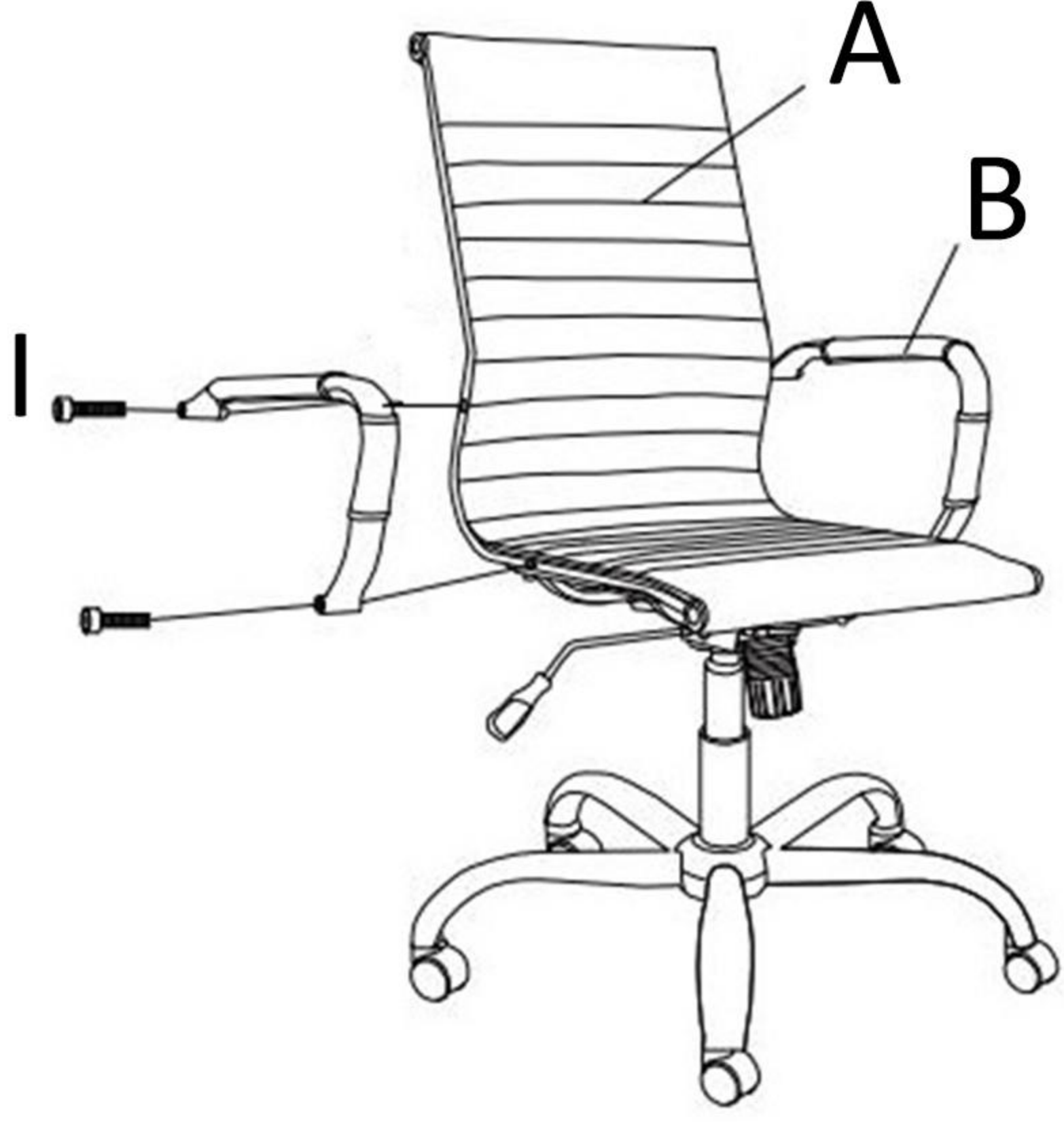

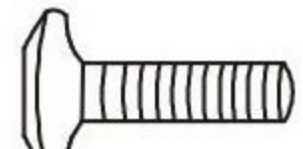
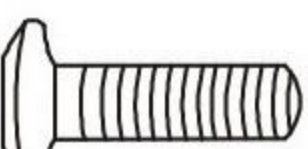


Assembly Manual: (This manual is universal for OCH-EM and OCH-EM-MB)

ALFORDSON®

<p>Ax1</p> 	<p>lx4</p>  <p>M8X50</p>	<p>① Assemble the base(C)</p> 	<p>②</p> 	<p>③ Unfold the backrest(A)</p> 
<p>Bx1 (L&R)</p> 	<p>Jx1</p>  <p>M6</p>			
<p>Cx1</p> 				
<p>Dx1</p> 				
<p>Ex5</p> 		<p>④</p> 	<p>⑤ Do not press down the backrest by force.</p> 	<p>⑥ Install the armrests(B)</p> 
<p>Fx1</p> 				
<p>Gx10</p>  <p>M6x10</p>				
<p>Hx4</p>  <p>M8X20</p>				

Dear Customers:

- We warmly welcome you to contact us at any time.
- Kindly keep all the packaging until you believe that return is not needed.
- If anything goes wrong, kindly let us know before lodging Return Request, such as damaged parts, missing parts, change of mind etc. Our team will do our utmost to resolve the case to your ultimate satisfaction.
- Our customer service email: cs_ecom@hotmail.com
- 100% Customer Satisfaction Guaranteed