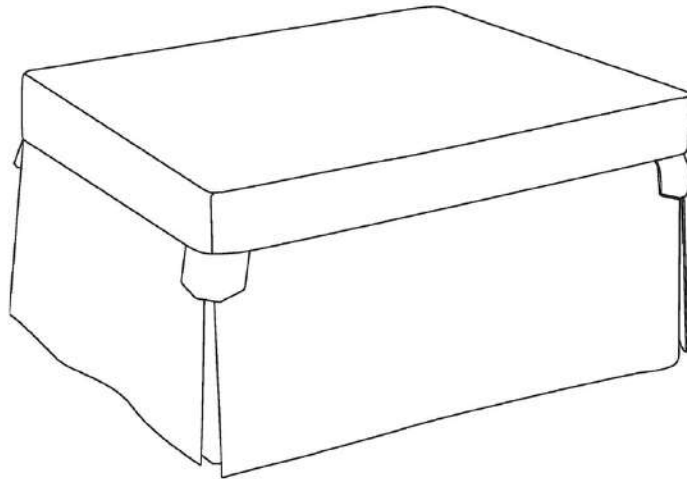


# Foldlux Ottoman Folding Bed

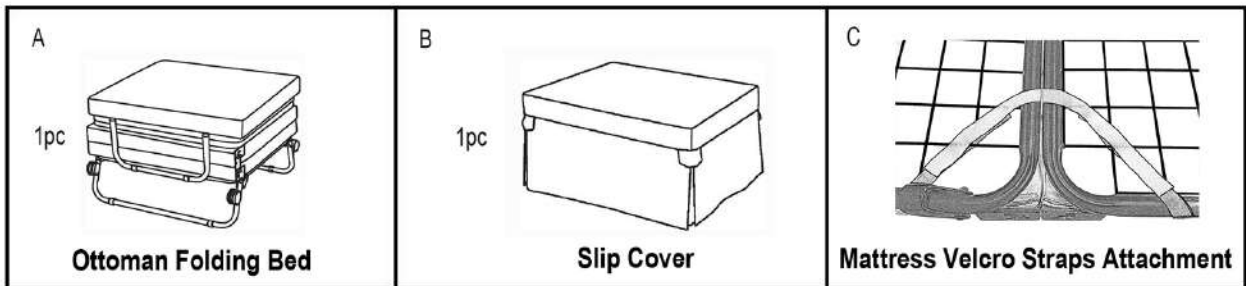


## Thank you for choosing our product

- Please read this user manual carefully before using the product
- Please keep this manual for future reference
- Please follow the steps in the user manual

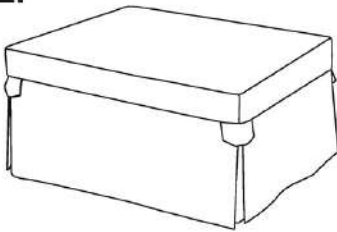
### **⚠ Attention**

1. Iron your ottoman cover if you would like it wrinkle free. Start with the iron on a low setting.
2. The foam mattresses are brand new and need to be "Broken In" (i.e. They will soften with use).
3. Please keep away from fire and heat sources.
4. Please only allow one person to sleep on the bed at a time.
5. Always keep babies and toddlers away from folding beds for their safety.
6. For your own safety, the bed must not be altered or modified.
7. Please ensure the mattress covers are tightly secured to the base using velcro straps(See Fig. C)

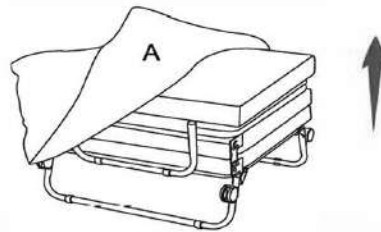


The following procedures shall be performed under the guidance of an adult.

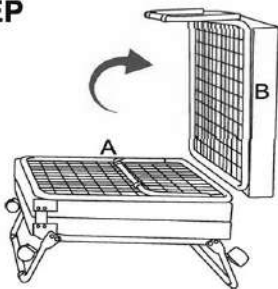
**STEP 1**



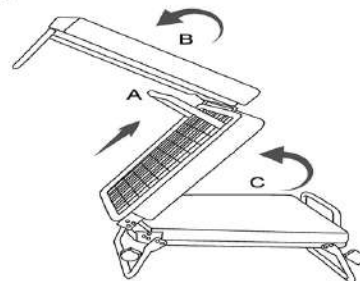
**STEP 2**



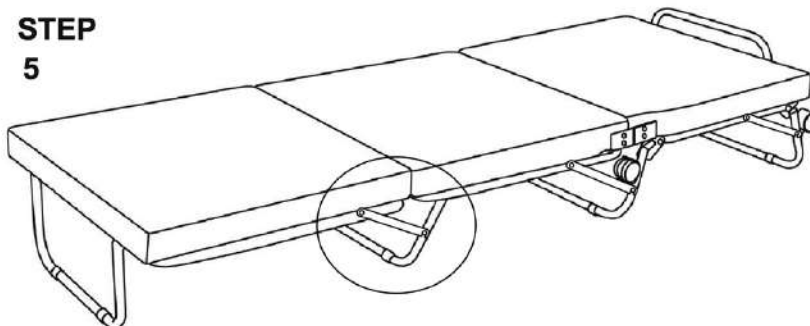
**STEP 3**



**STEP 4**



**STEP 5**



Please fully open the legs and engage the leg locks for your own safety. (as shown in the diagram).