

ASSEMBLING INSTRUCTION

TAB-719C-WHE-GD

1 X1PC



2 X1PC



3 X1PC



4 X1PC



5 X4PCS



A X6PCS



B X4PCS



C X1PC



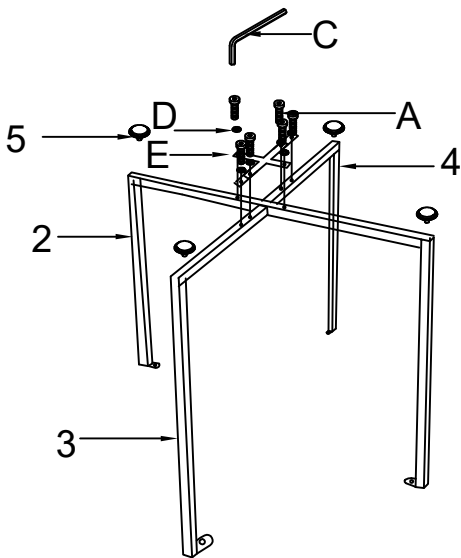
D X10PCS



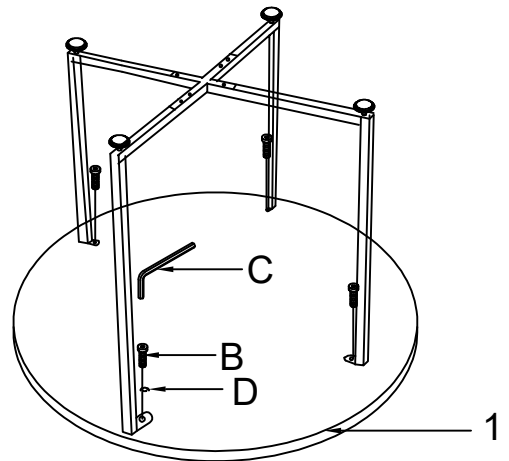
E X1PCS



1



2



3

