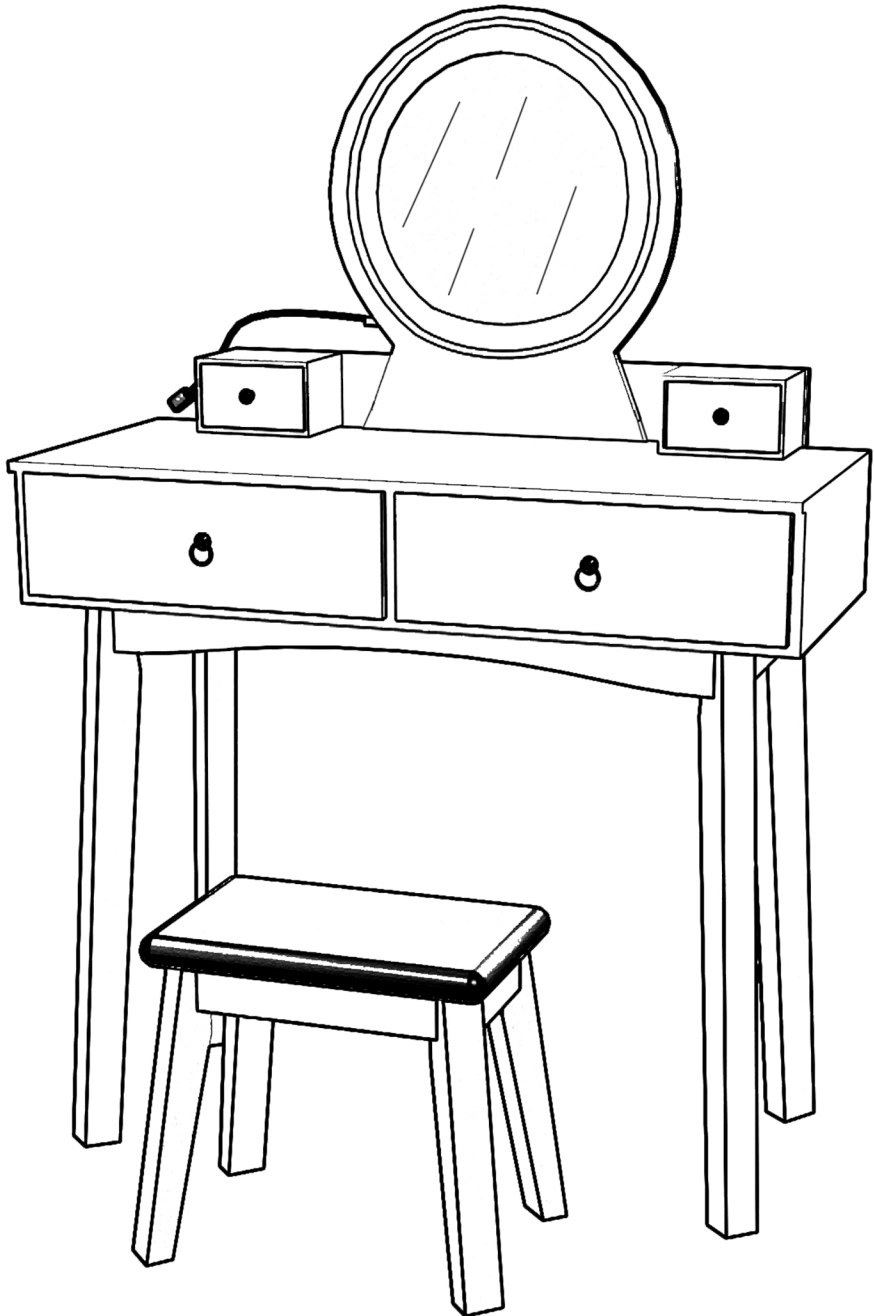
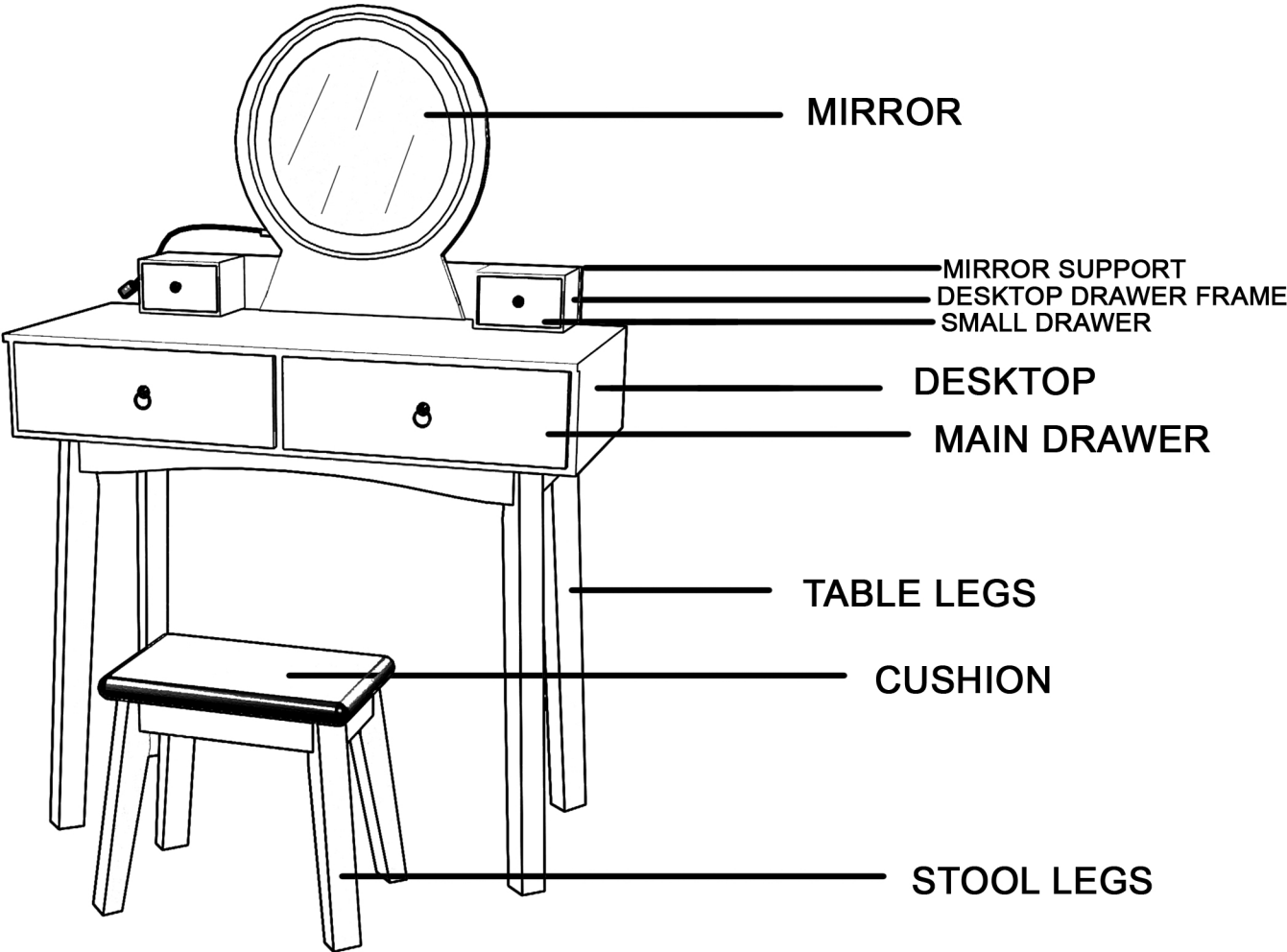


# ASSEMBLY INSTRUCTIONS





## DRESSING TABLE



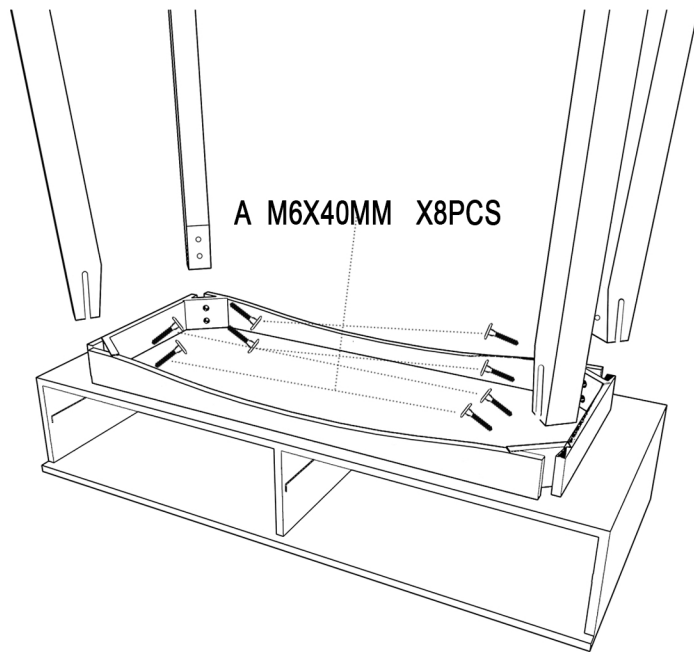
### PART LIST



### HARDWARE LIST

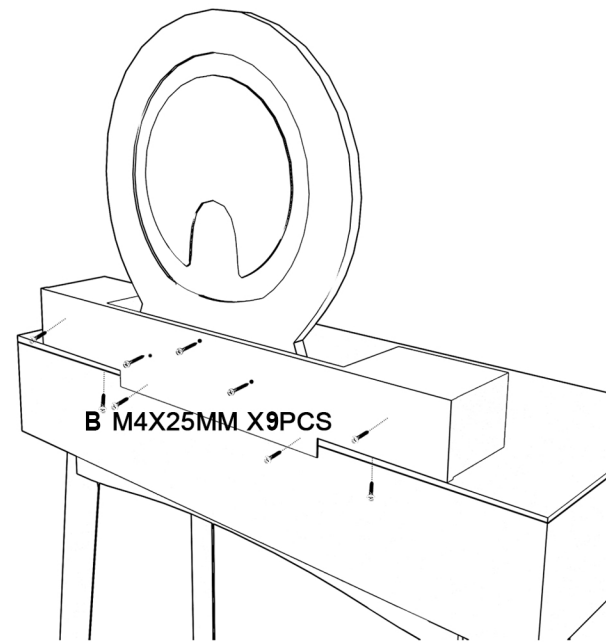
- |   |   |         |          |   |   |         |         |
|---|---|---------|----------|---|---|---------|---------|
| A |  | M6X40MM | X 16 PCS | B |  | M4X25MM | X 9 PCS |
|   |   |         |          | D | EXTERNAL POWER  |         | X 1 PC  |
| E |  |         | X 1 PCS  | F |  |         | X 8 PCS |

## STEP 1



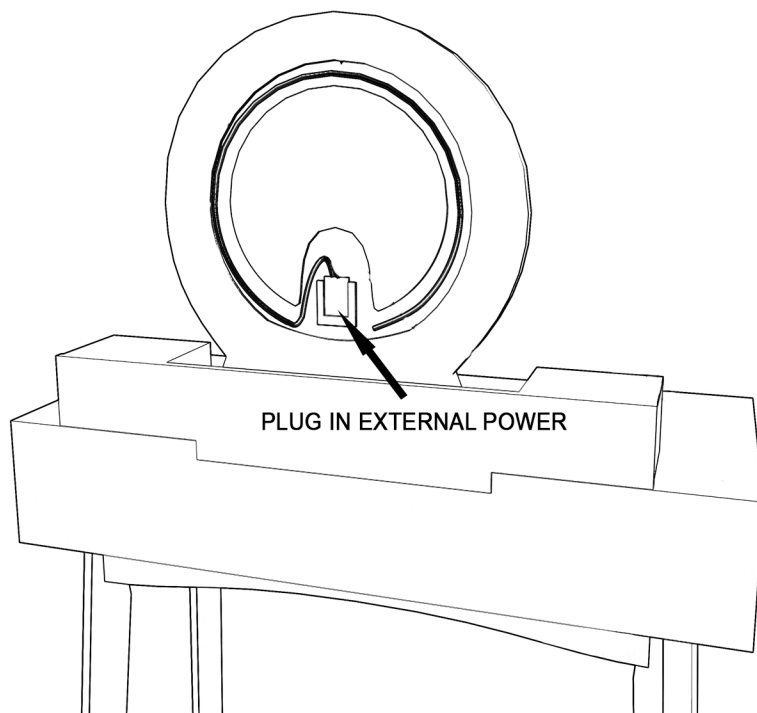
INSTALL THE LEGS ON THE DESKTOP, USING HARDWARE A(X8PCS).

## STEP 2



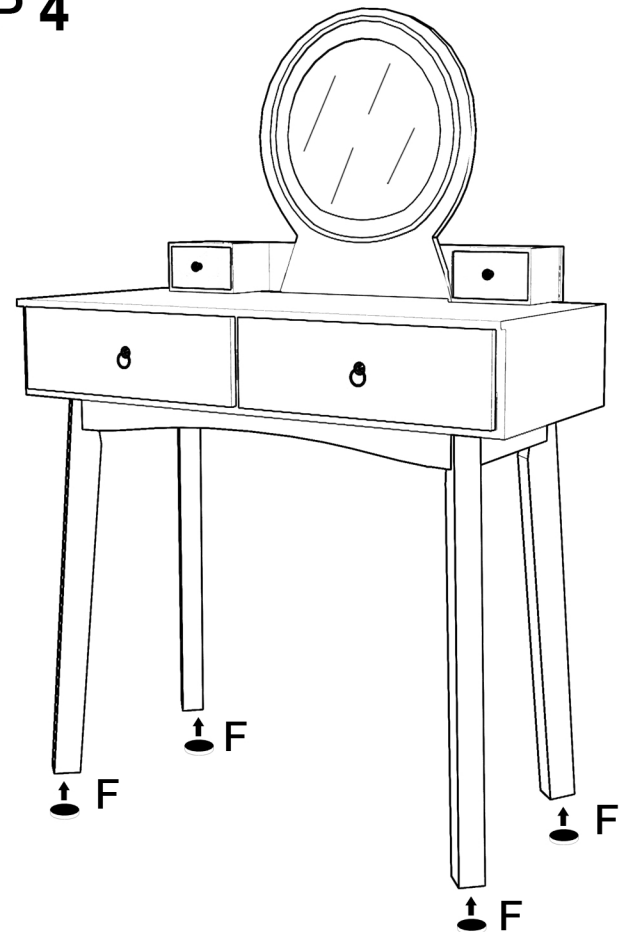
MOUNT THE MIRROR SUPPORT TO THE TABLE AS SHOWN, USING SCREWS B(X4PCS). THEN INSTALL THE DESKTOP DRAWER FRAME ON THE MIRROR SUPPORT, USE SCREW B(X2PCS) MOUNT THE MIRROR ON THE MIRROR SUPPORT AND FIX IT WITH SCREW B(X3 PCS).

## STEP 3



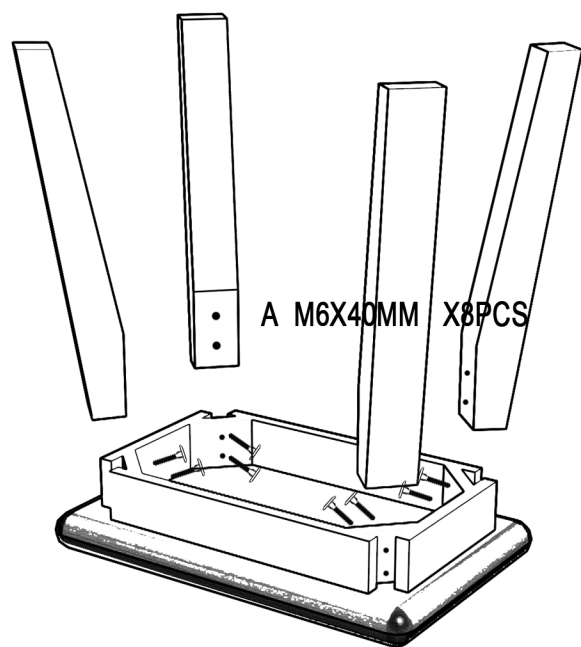
PLUG IN EXTERNAL POWER

## STEP 4



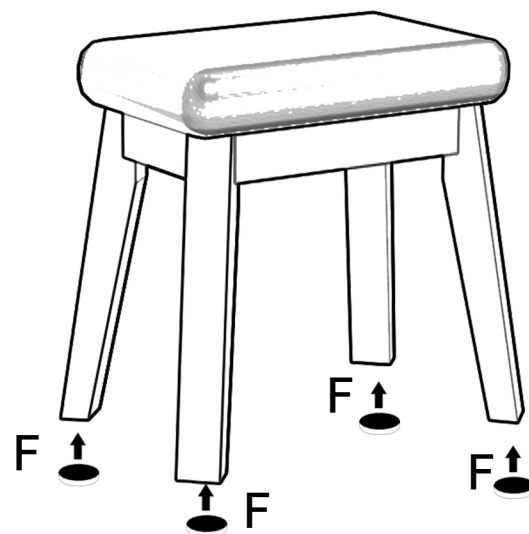
INSTALL THE NON-SLIP PAD F (X4PCS) TO THE BOTTOM OF THE TABLE LEGS, PUT THE DRAWER IN AND THE DRESSER IS ASSEMBLED.

## STEP 5



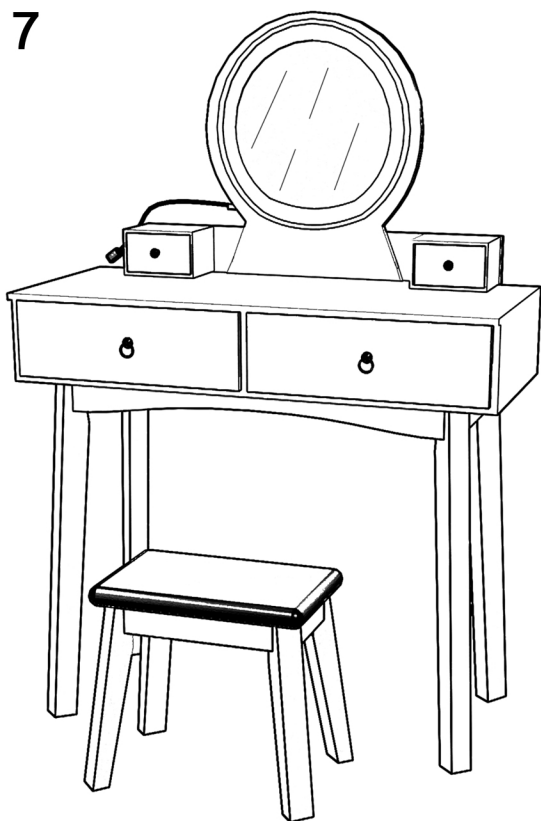
ATTACH THE STOOL LEG TO THE SEAT CUSHION AND FIX IT WITH HARDWARE A.(X8 PCS)

## STEP 6



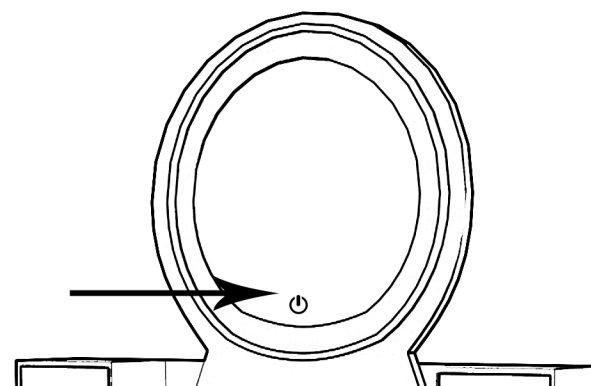
INSTALL THE NON-SLIP PAD F(X4PCS) TO THE BOTTOM OF THE STOOL LEGS, THE SEAT INSTALLATION IS COMPLETE.

## STEP 7



THE DRESSER IS FULLY ASSEMBLED.

## NOTE:



WHEN INSTALLING THE FIXTURE OF THE LIGHT GROUP, MAKE SURE THAT AFTER THE INSTALLATION, THE TOUCH SWITCH CORRESPONDS TO THE SWITCH LOGO ON THE FRONT OF THE MIRROR.