

**OTF-531S**


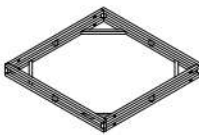
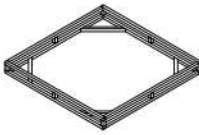
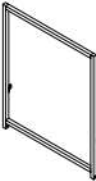










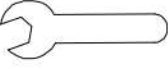
## **Attention!**

Thank you for purchasing with us. For the sake of preserving the beauty and bright colors of your cushions, we strongly recommend you keep the cushions covers when not in use. The UV ray may certainly cause fade fast. A cover will help to keep out the suns rays and prevent moisture when you are getting on it.

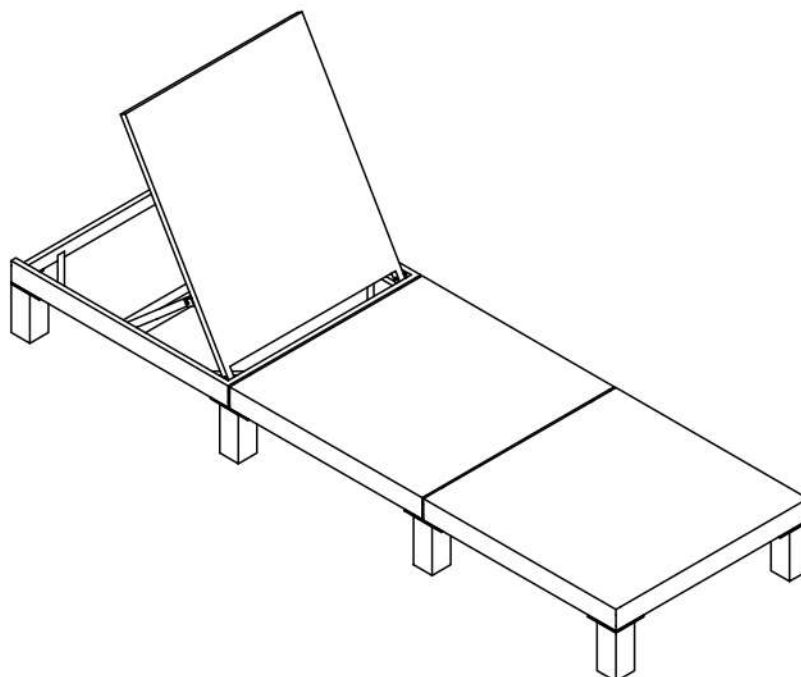
## **Reminder**


We suggest you assemble the parts according to the diagram. Tighten pieces together but not too tight. Once every piece is connected, then use Allen key to fully tighten every pieces.

Feel free to contact us anytime with questions or comments at [support@dreamo.com.au](mailto:support@dreamo.com.au)

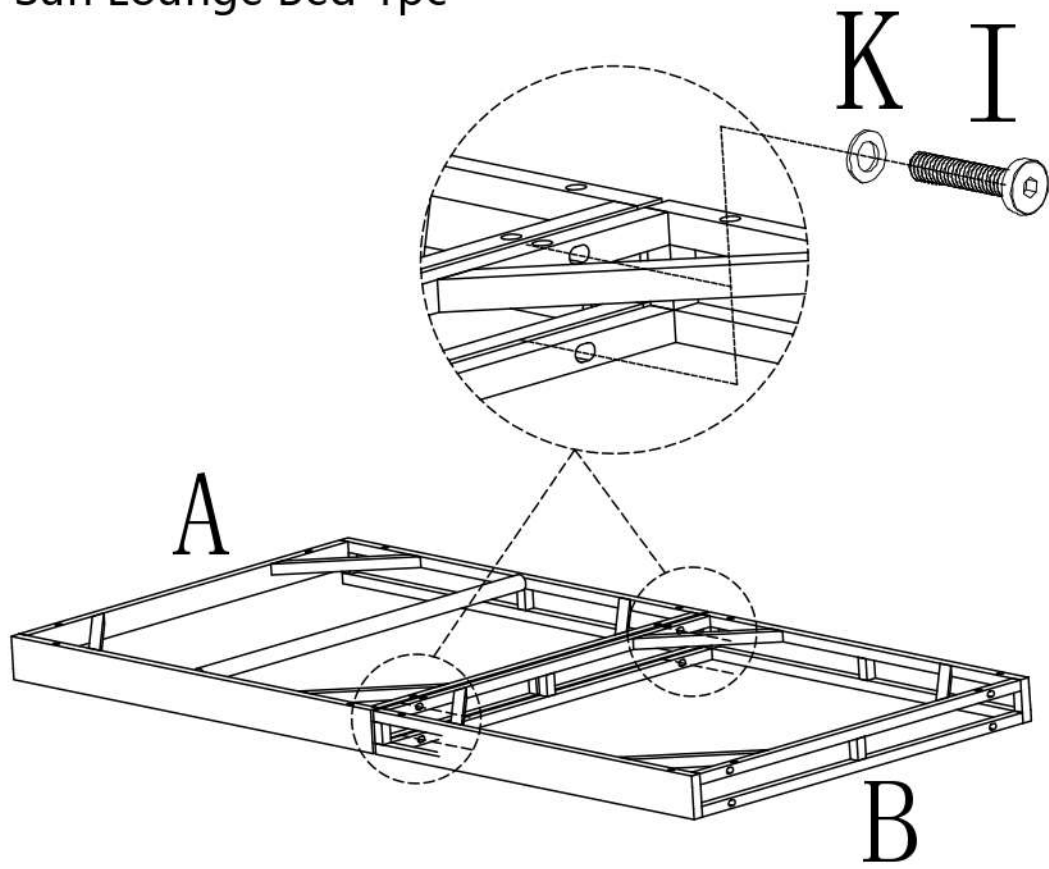
				
A*1PC	B*1PC	C*1PC	D*1PC	E*1PC
				
F*4PCS	G*4PCS	H*2PCS M6*40mm	I*10PCS M6*35mm	J*24PCS M6*20mm
				
K*38PCS	L*2PCS	M*2PCS M6*3mm	N*1PC	O*1PC

## Sun Lounge Bed 1pc

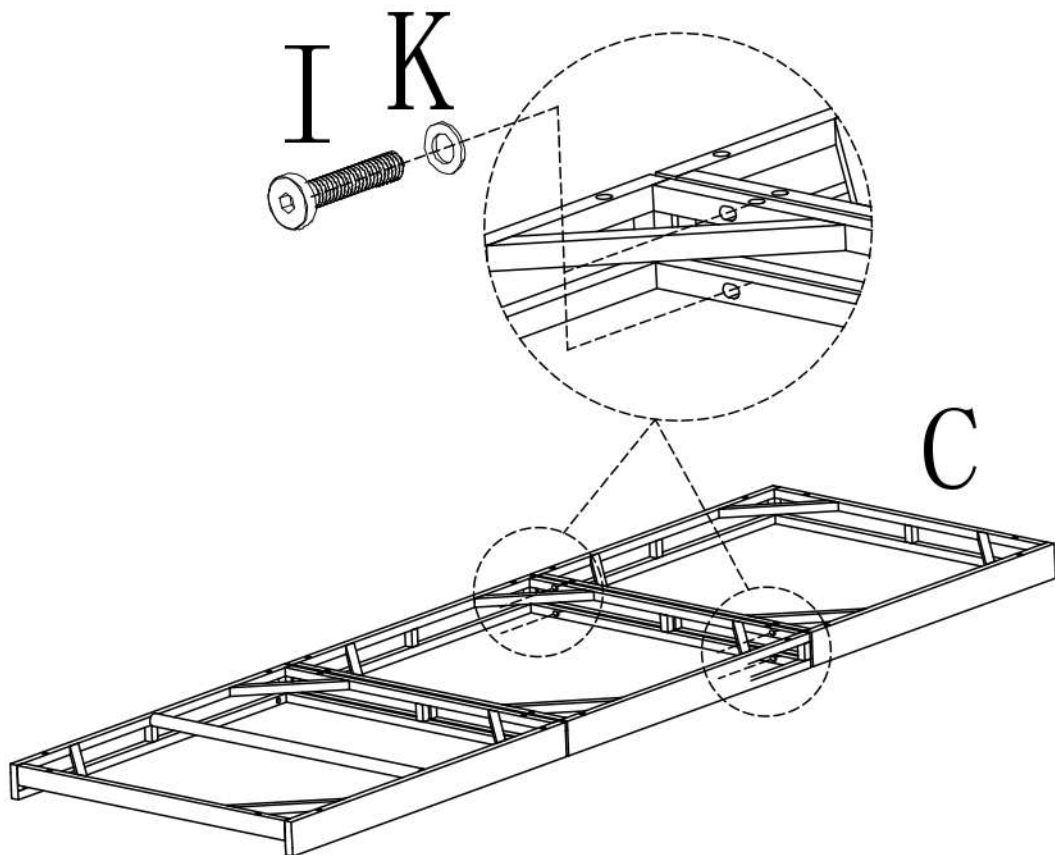


 DO NOT USE any type of power tool when assembling the furniture. It is easy to insert screws too far and cause damage.

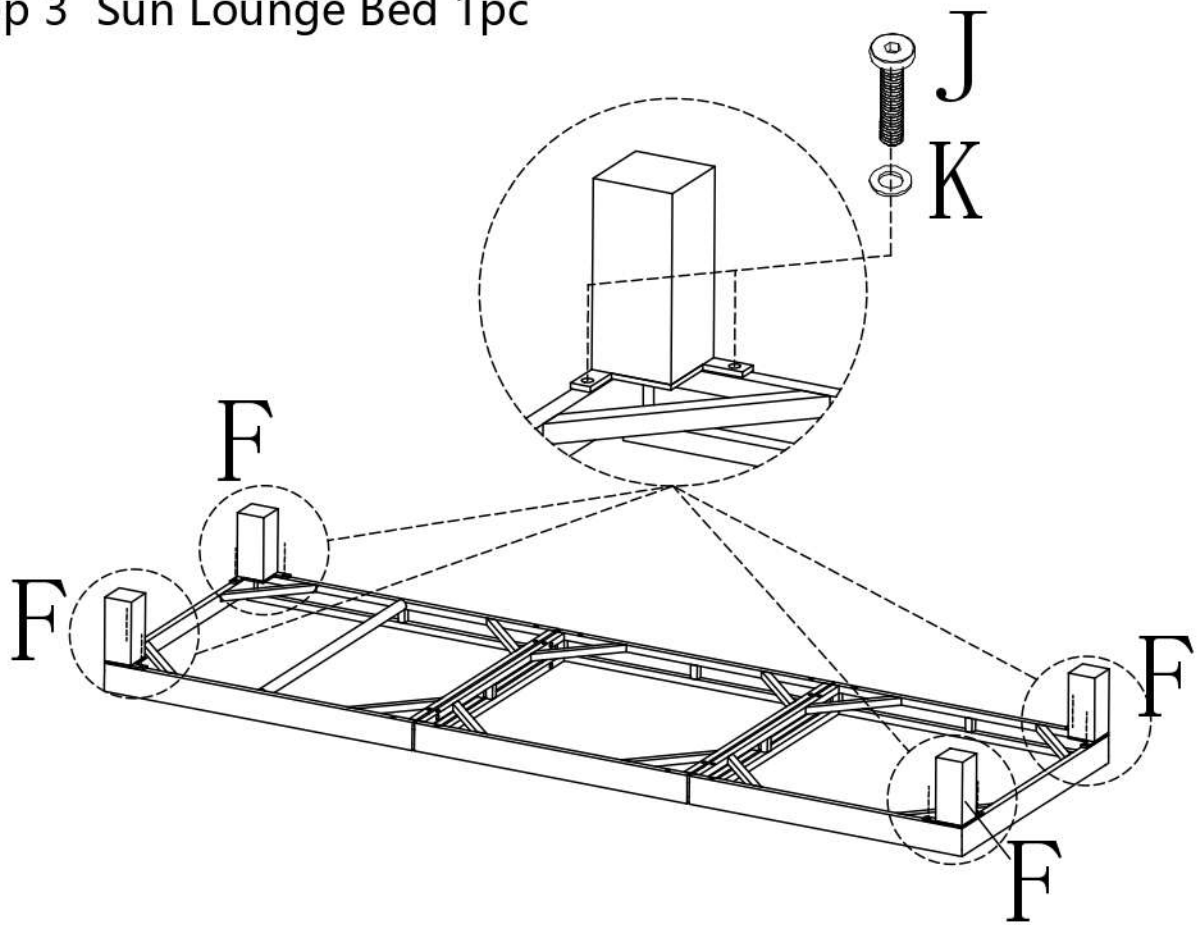
Step 1 Sun Lounge Bed 1pc



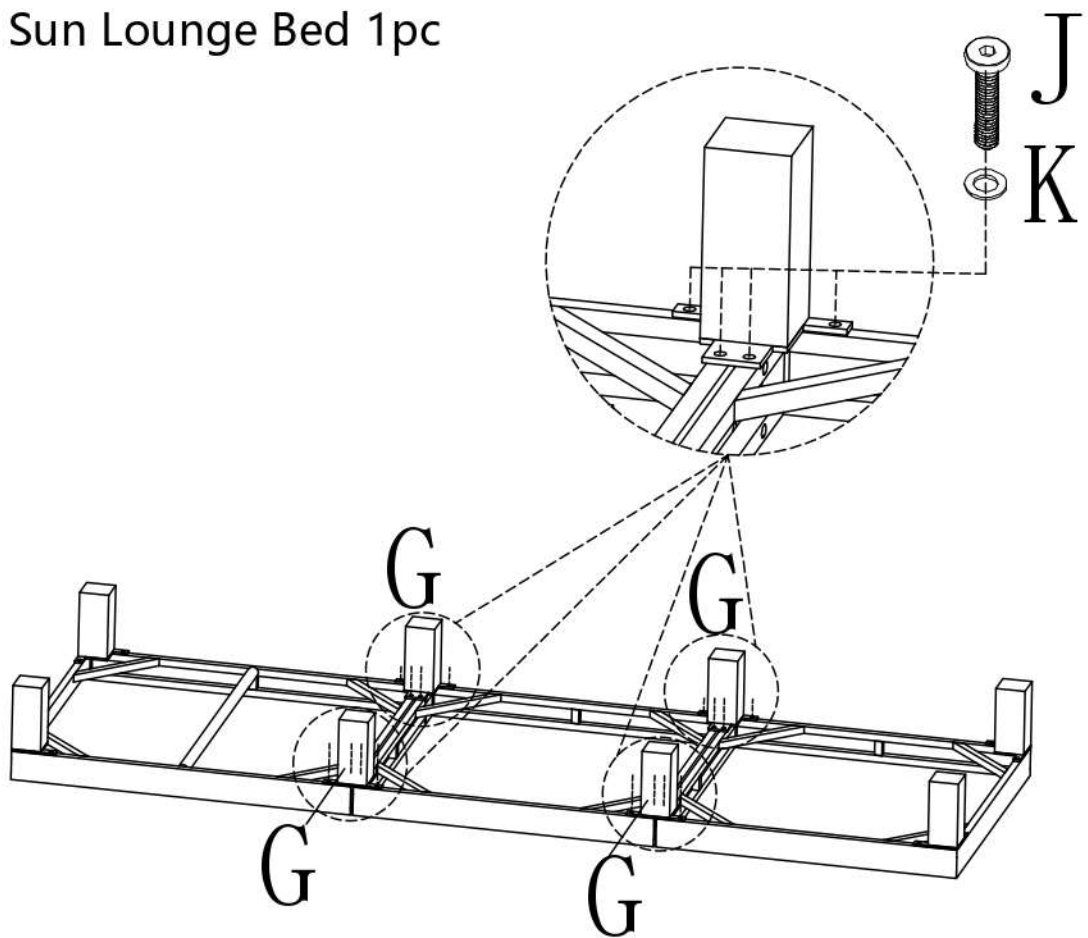
Step 2 Sun Lounge Bed 1pc



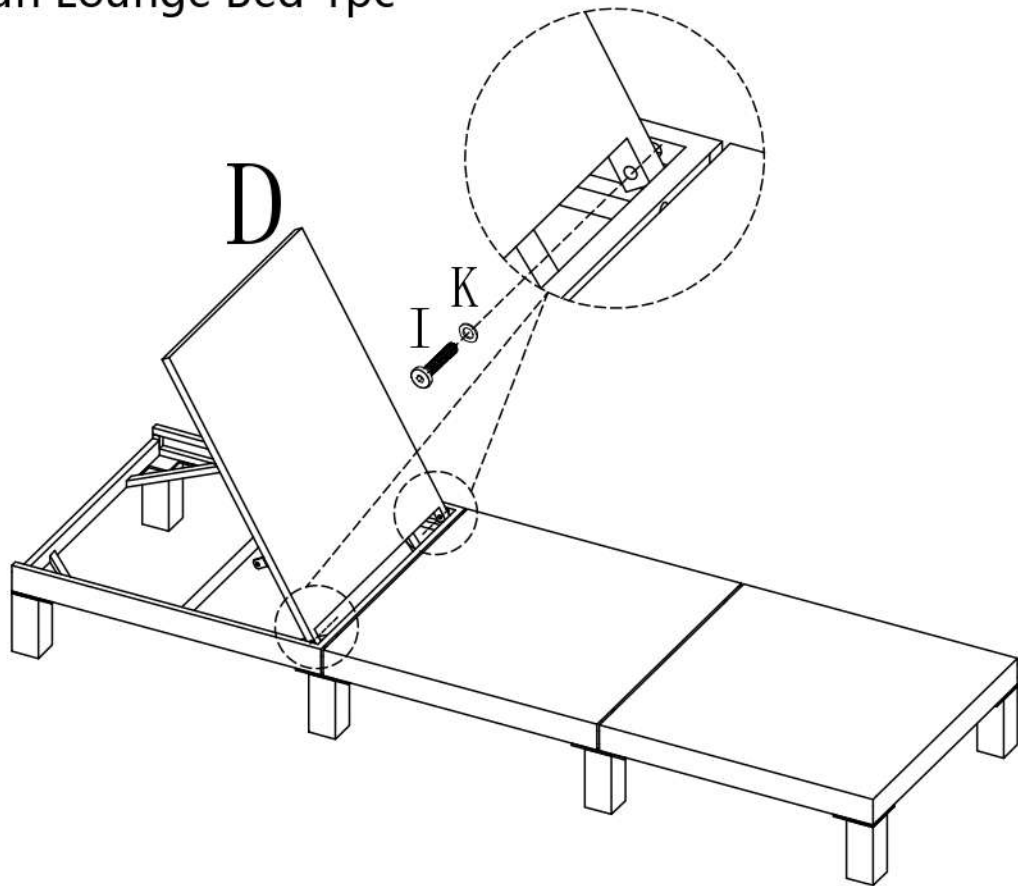
Step 3 Sun Lounge Bed 1pc



Step 4 Sun Lounge Bed 1pc



### Step 5 Sun Lounge Bed 1pc



### Step 6 Sun Lounge Bed 1pc

