

OTF-520S

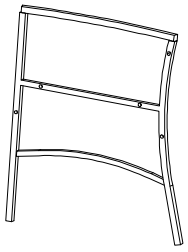
Attention!

Thank you for purchasing with us. For the sake of preserving the beauty and bright colors of your cushions, we strongly recommend you keep the cushions covers when not in use. The UV ray may certainly cause fade fast. A cover will help to keep out the suns rays and prevent moisture when you are getting on it.

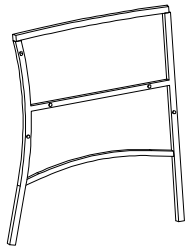
Reminder

We suggest you assemble the parts according to the diagram. Tighten pieces together but not too tight. Once every piece is connected, then use Allen key to fully tighten every pieces.

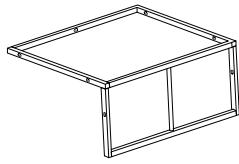
Feel free to contact us anything with questions or comments.



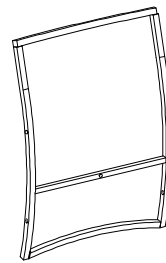
A*2PCS



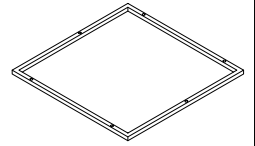
B*2PCS



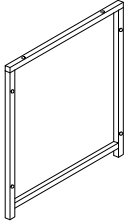
C*2PCS



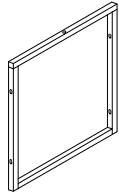
D*2PCS



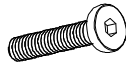
E*1PC



F*2PC



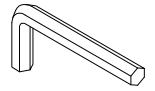
G*2PCS



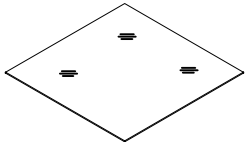
H*37PCS
M6*35mm



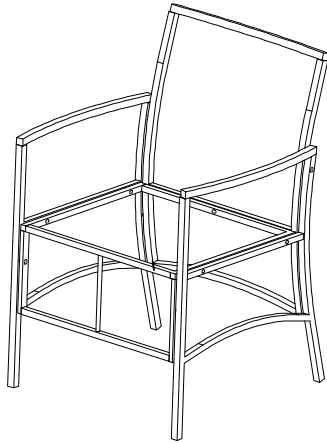
I*37PCS



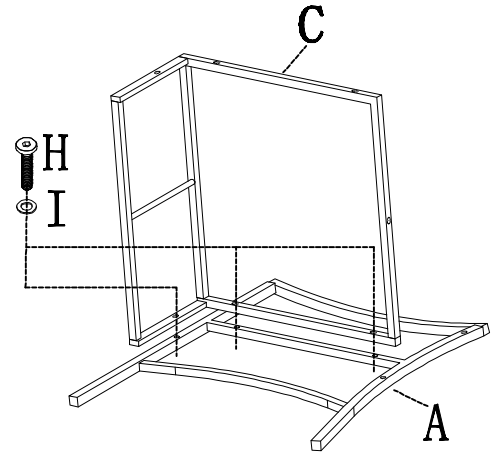
J*1PC



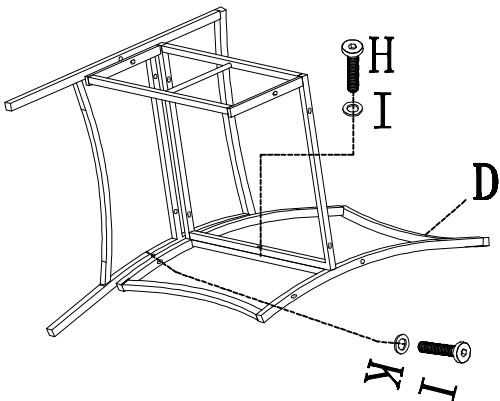
K*1PC



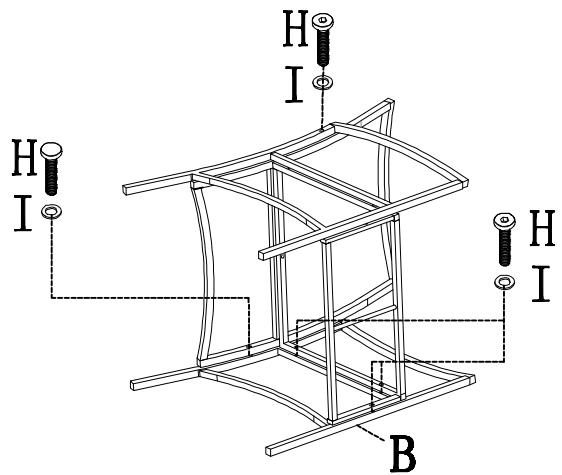
①



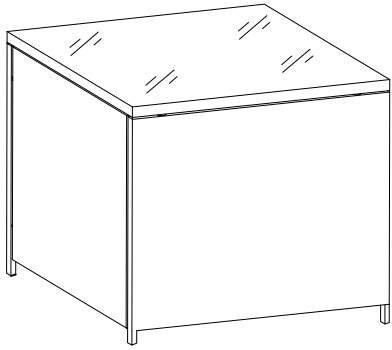
②



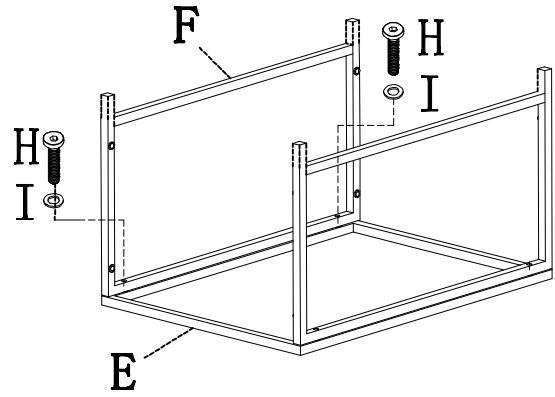
③



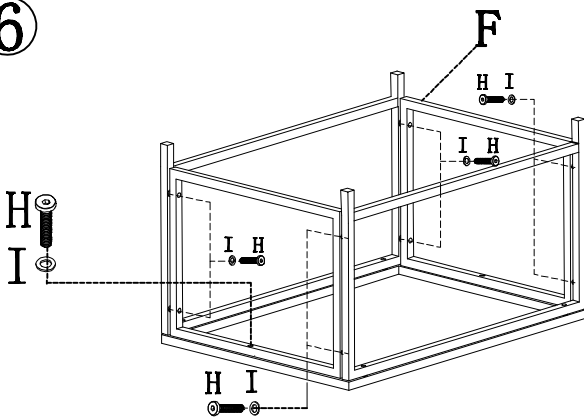
④



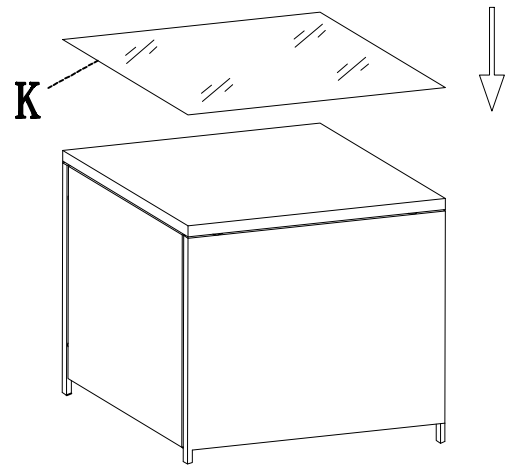
⑤



⑥



⑦



OTF-520S

DO NOT USE any type of power tool when assembling the furniture.

It is easy to insert screw too far and cause damage.