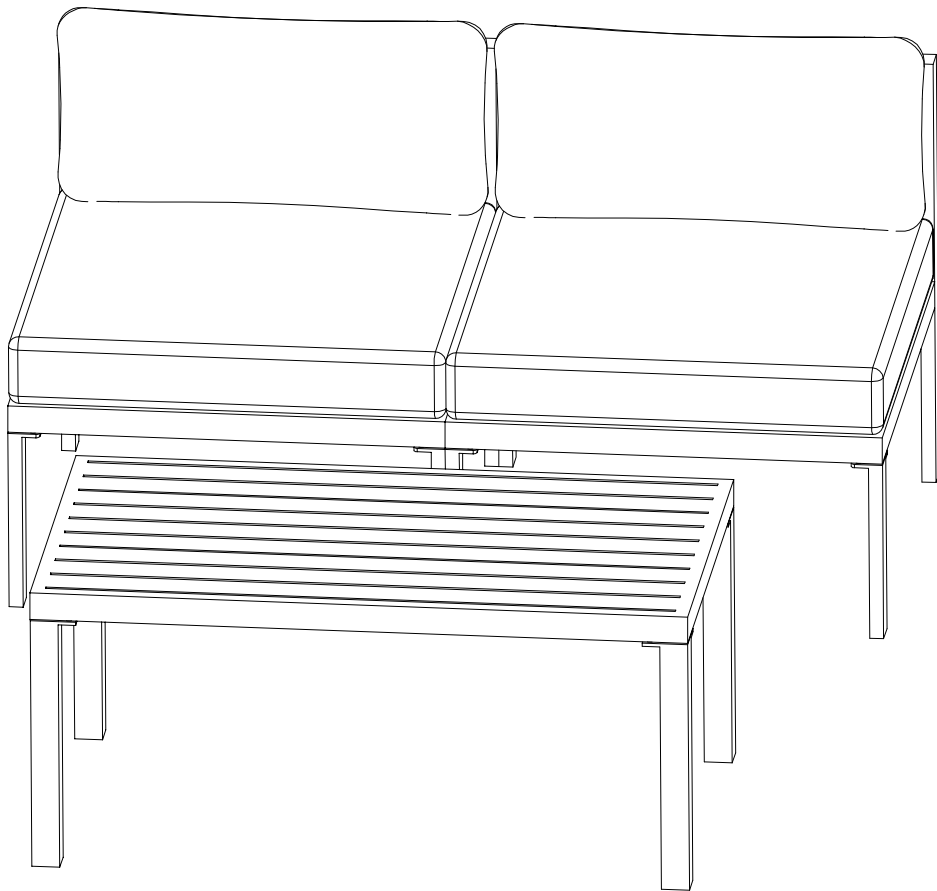


DREAMO



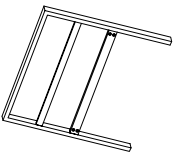
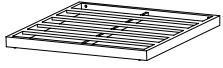
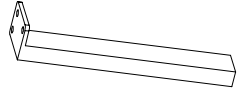
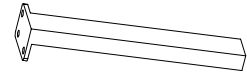




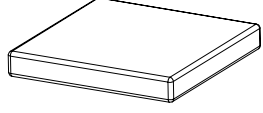

OTF-534A-3

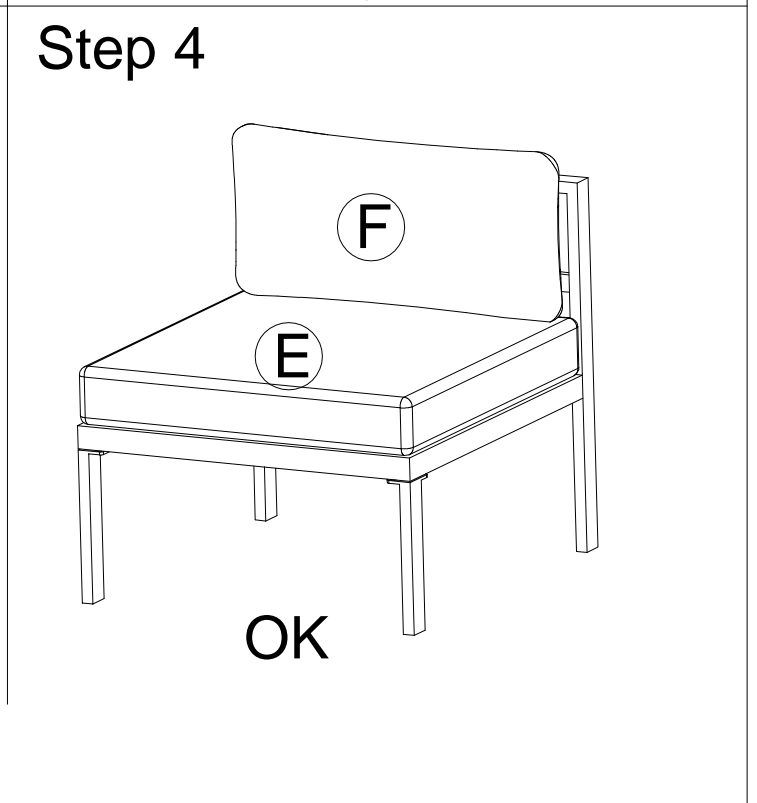
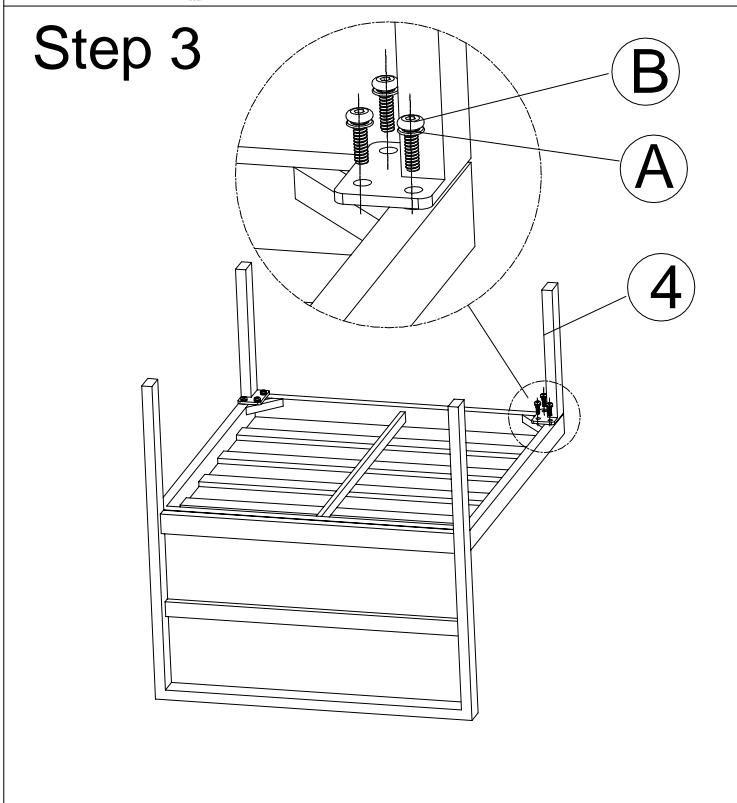
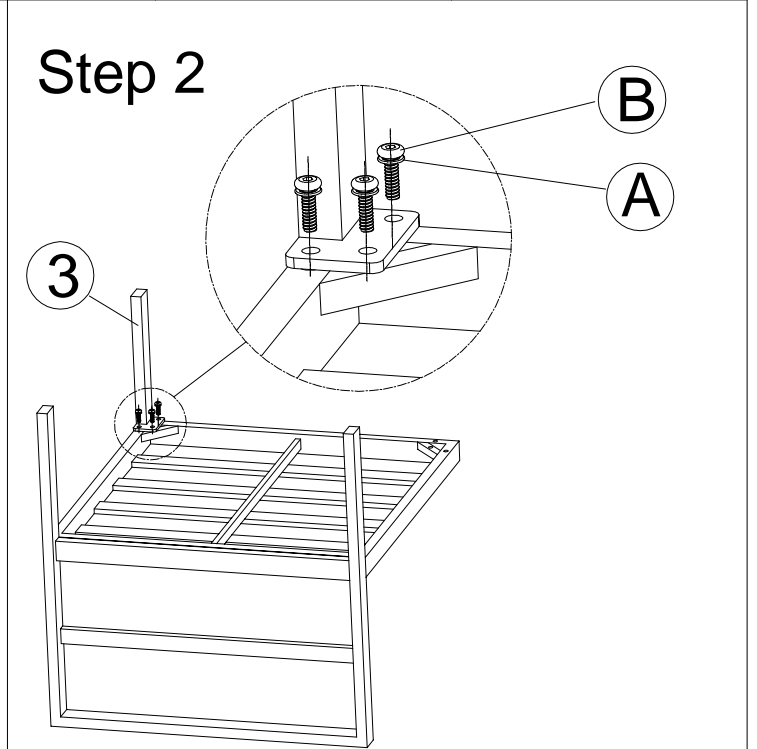
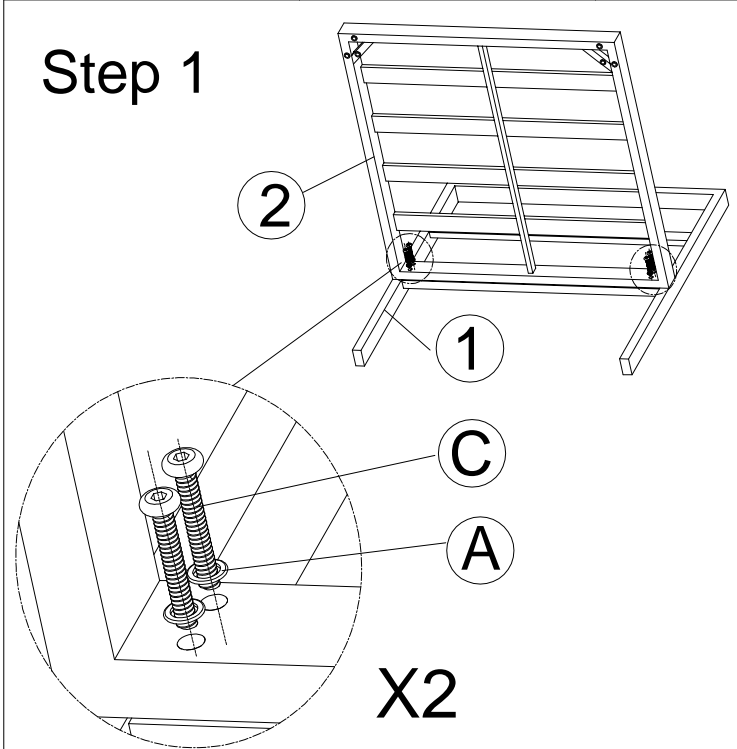
Attention!

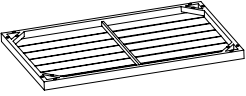
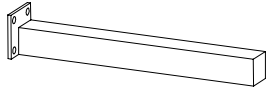

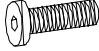

Thank you for purchasing with us. For the sake of preserving the beauty and bright colors of your cushions, we strongly recommend you keep the cushions covers when not in use. The UV ray may certainly cause fade fast. A cover will help to keep out the suns rays and prevent moisture when you are getting on it.

Reminder

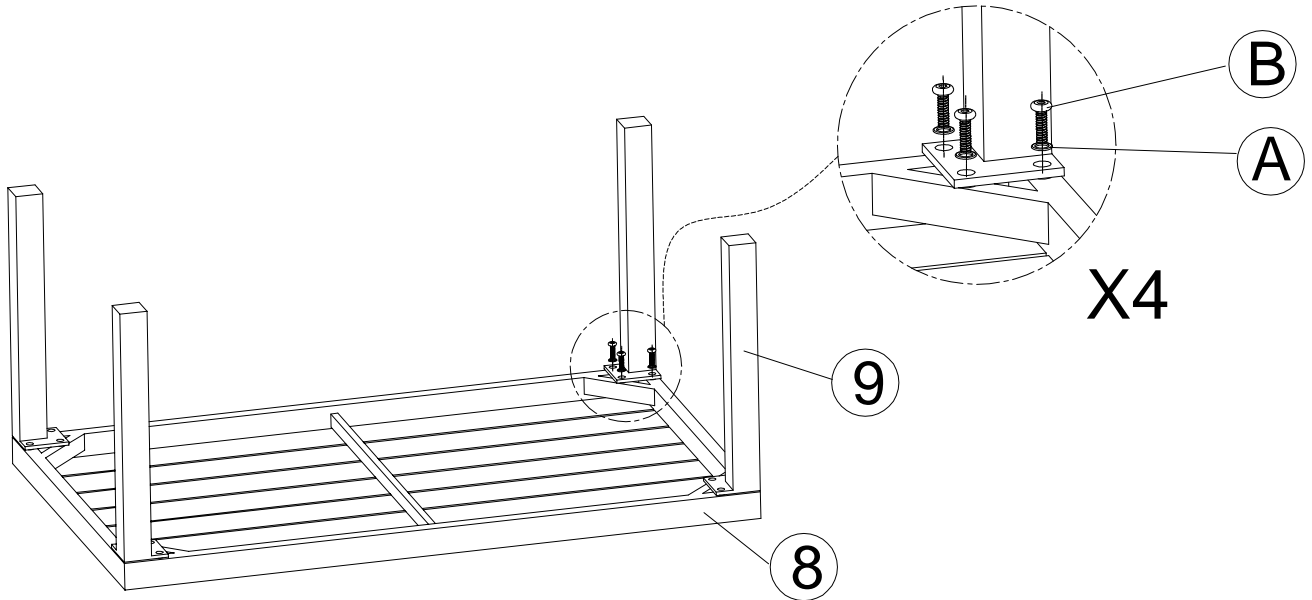
We suggest you assemble the parts according to the diagram. Tighten pieces together but not too tight. Once every piece is connected, then use Allen key to fully tighten every pieces.

<p>①</p>  <p>2PCS</p>	<p>②</p>  <p>2PCS</p>	<p>③</p>  <p>2PCS</p>	<p>④</p>  <p>2PCS</p>	<p>Ⓐ</p>  <p>20PCS</p>
<p>Ⓑ</p>  <p>M6*15 12PCS</p>	<p>Ⓒ</p>  <p>M6*35 8PCS</p>	<p>Ⓓ</p>  <p>1PC</p>	<p>Ⓔ</p>  <p>2PCS</p>	<p>Ⓕ</p>  <p>2PCS</p>

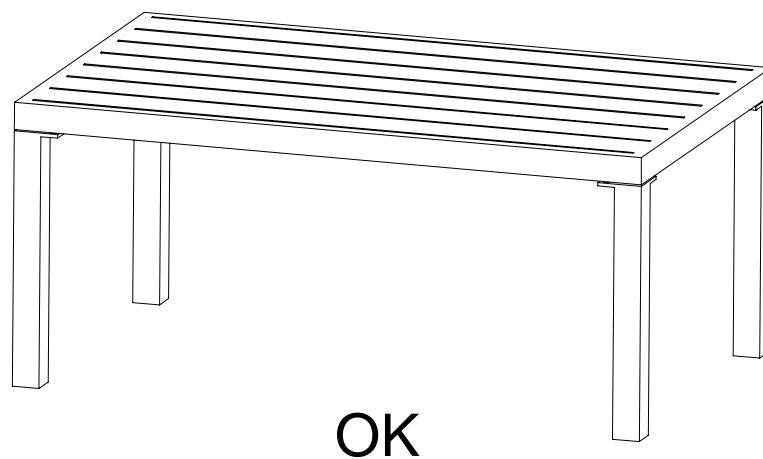


<p>8</p>  <p>1PC</p>	<p>9</p>  <p>4PCS</p>	<p>A</p>  <p>12PCS</p>	<p>B</p>  <p>M6*15 12PCS</p>	<p>D</p>  <p>1PC</p>
--	--	---	---	---

Step 1



Step 2



Do not tighten screws until completely assembled!