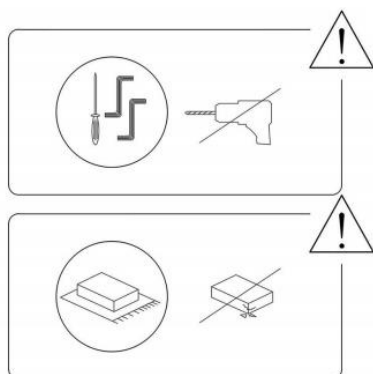


DREAMO

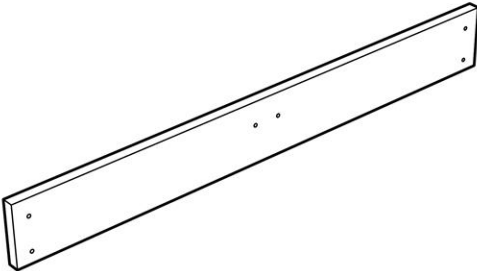
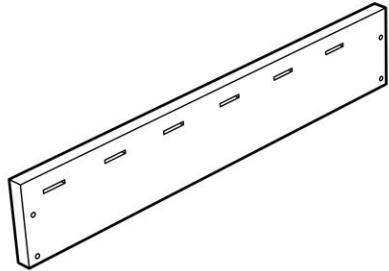
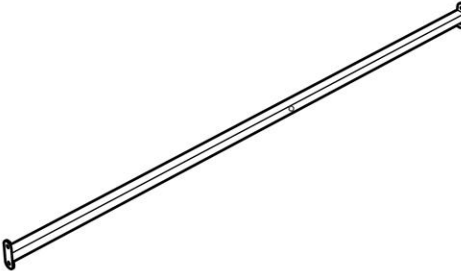
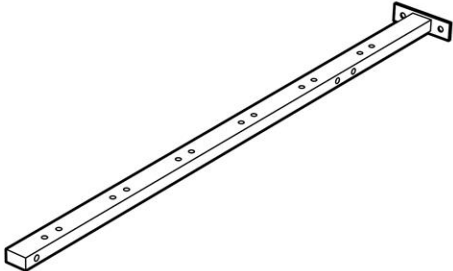
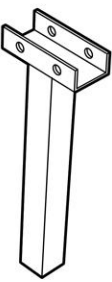
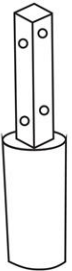
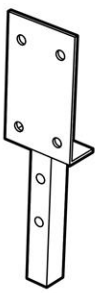
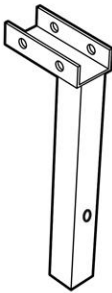
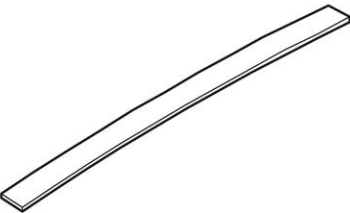
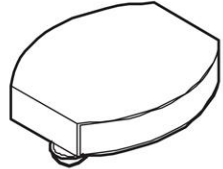
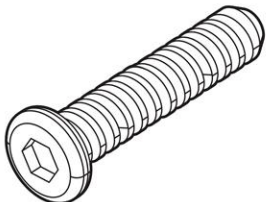
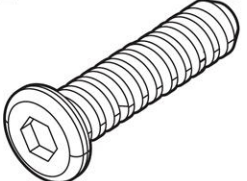
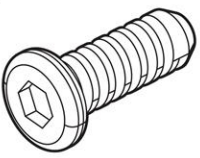


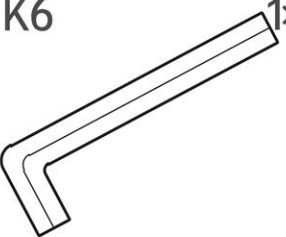
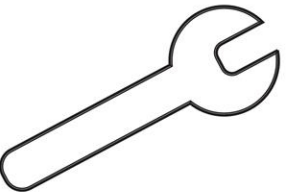
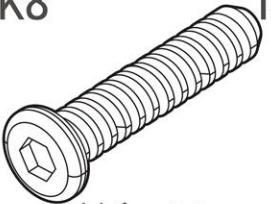
PLATFORM BED

BFS-206F



DO NOT USE any type of power tools when assembling the furniture. It is easy to insert screws too far and cause damage!

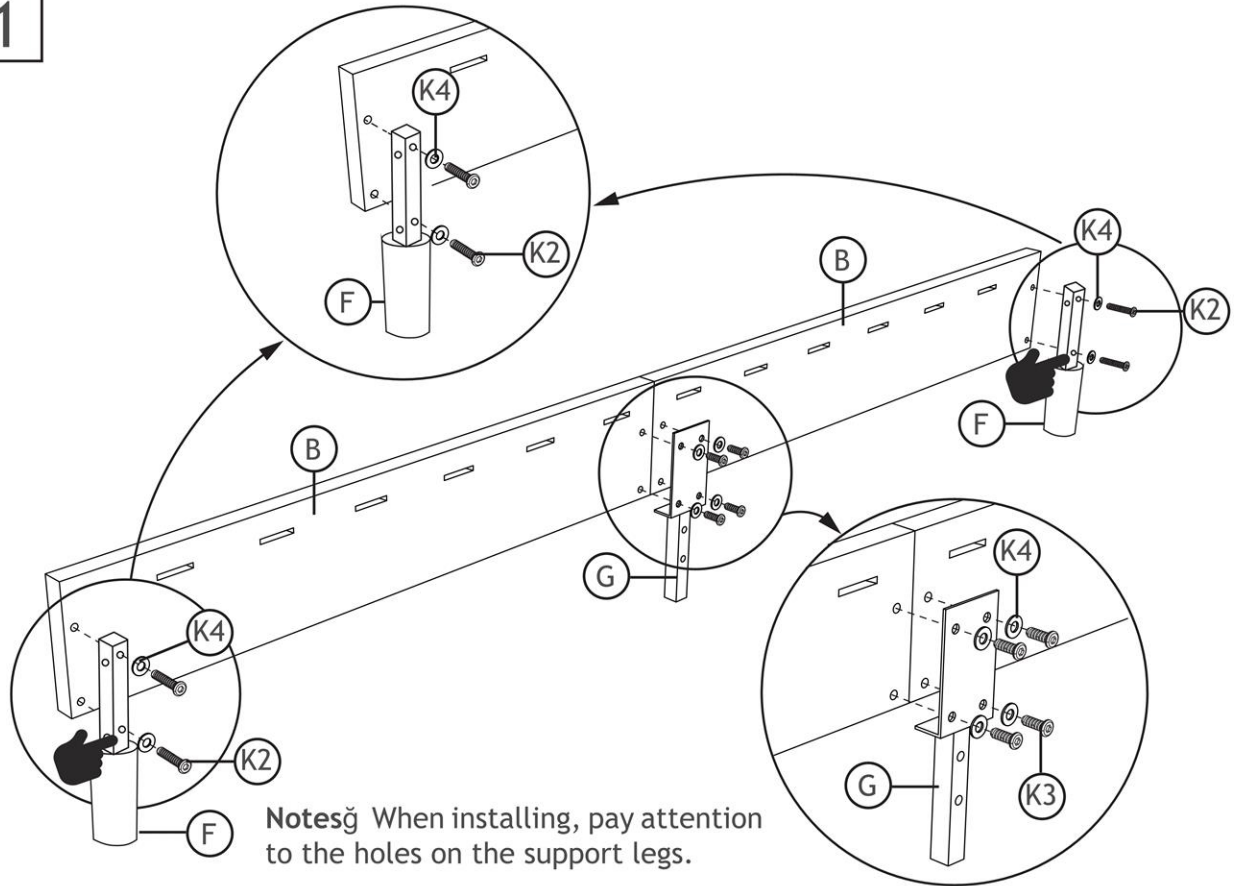
PARTS LIST

| | | | |
|--|--|---|--|
| <p>A 2×</p>  | <p>B 4×</p>  | | |
| <p>C 1×</p>  | <p>D 2×</p>  | | |
| <p>E 2×</p>  | <p>F 4×</p>  | <p>G 2×</p>  | <p>H 1×</p>  |
| <p>I 24×</p>  | <p>J 12×</p>  | <p>K1 6×</p>  <p>M6×50</p> | |
| <p>K2 16×</p>  <p>M6×45</p> | <p>K3 16×</p>  <p>M6×20</p> | <p>K4 26×</p>  | <p>K5 7×</p>  |
| <p>K6 1×</p>  | <p>K7 1×</p>  | <p>K8 1×</p>  <p>M6×60</p> | |

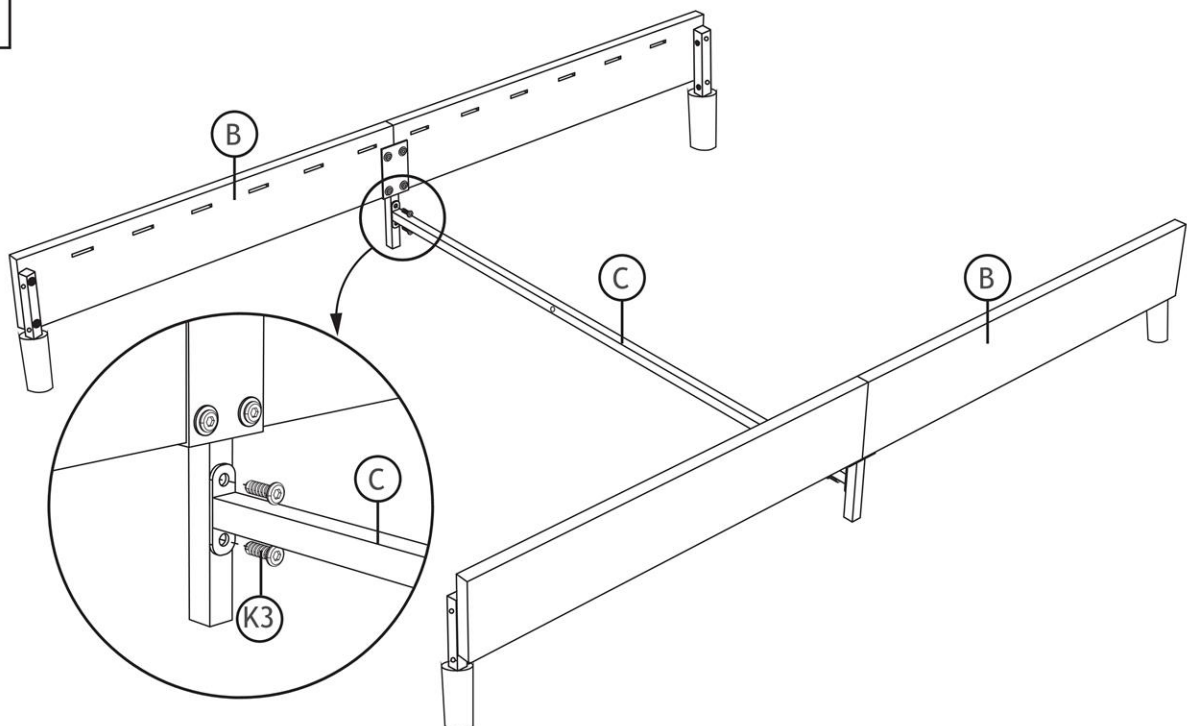
ASSEMBLY

Before your installation, please make sure that you have all the parts listed on the manual. If you find something missing, stop installing and contact your supplier immediately

1

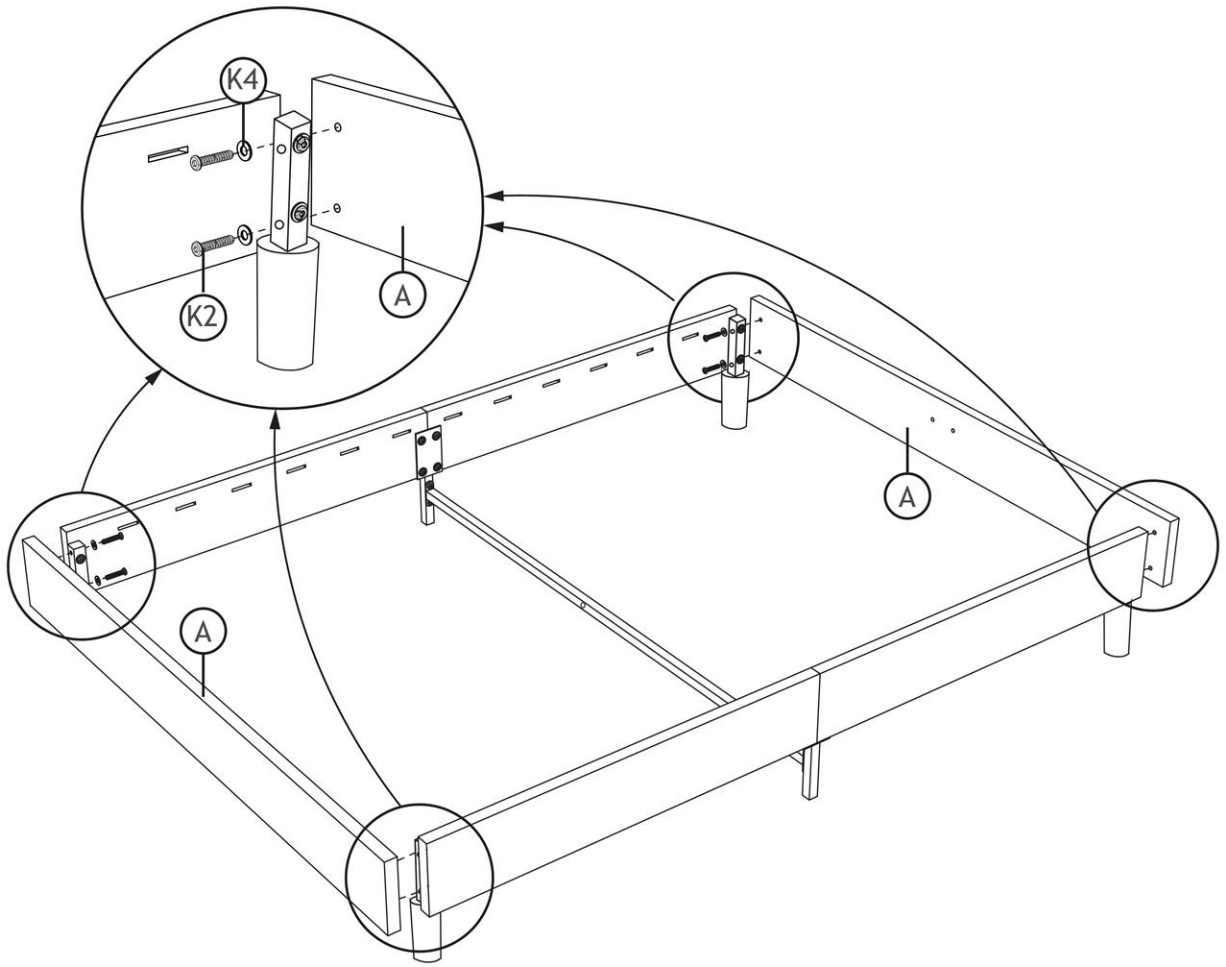


2

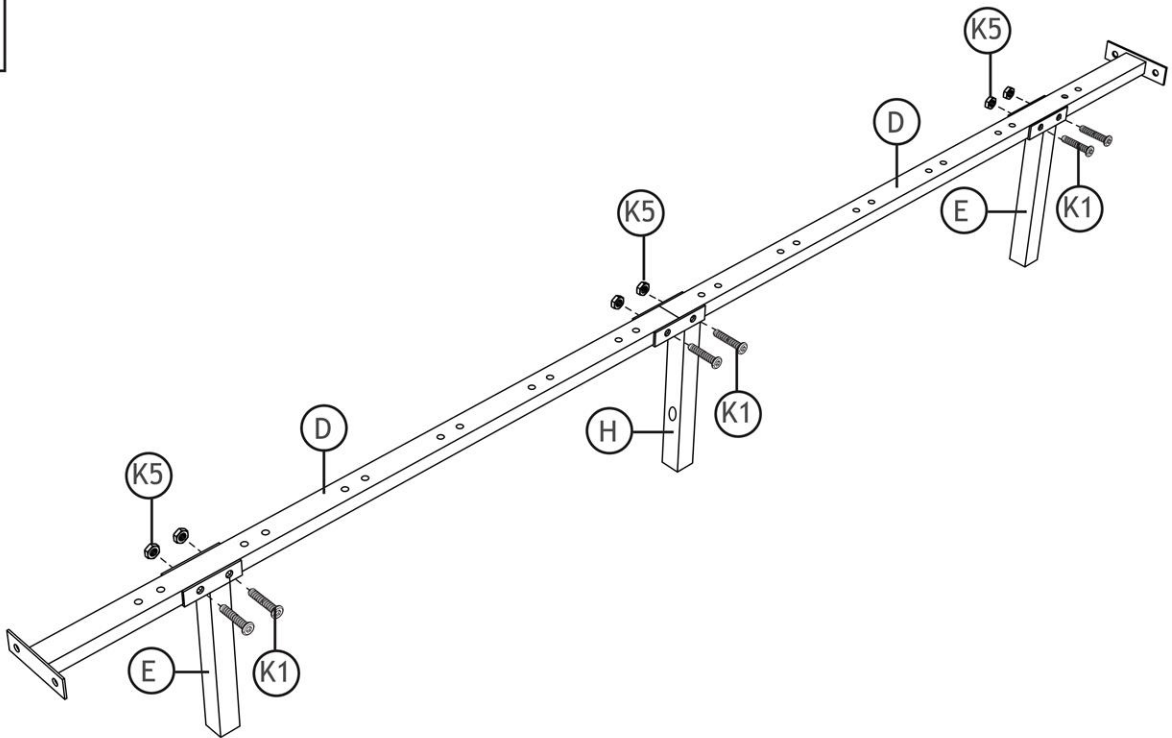


3

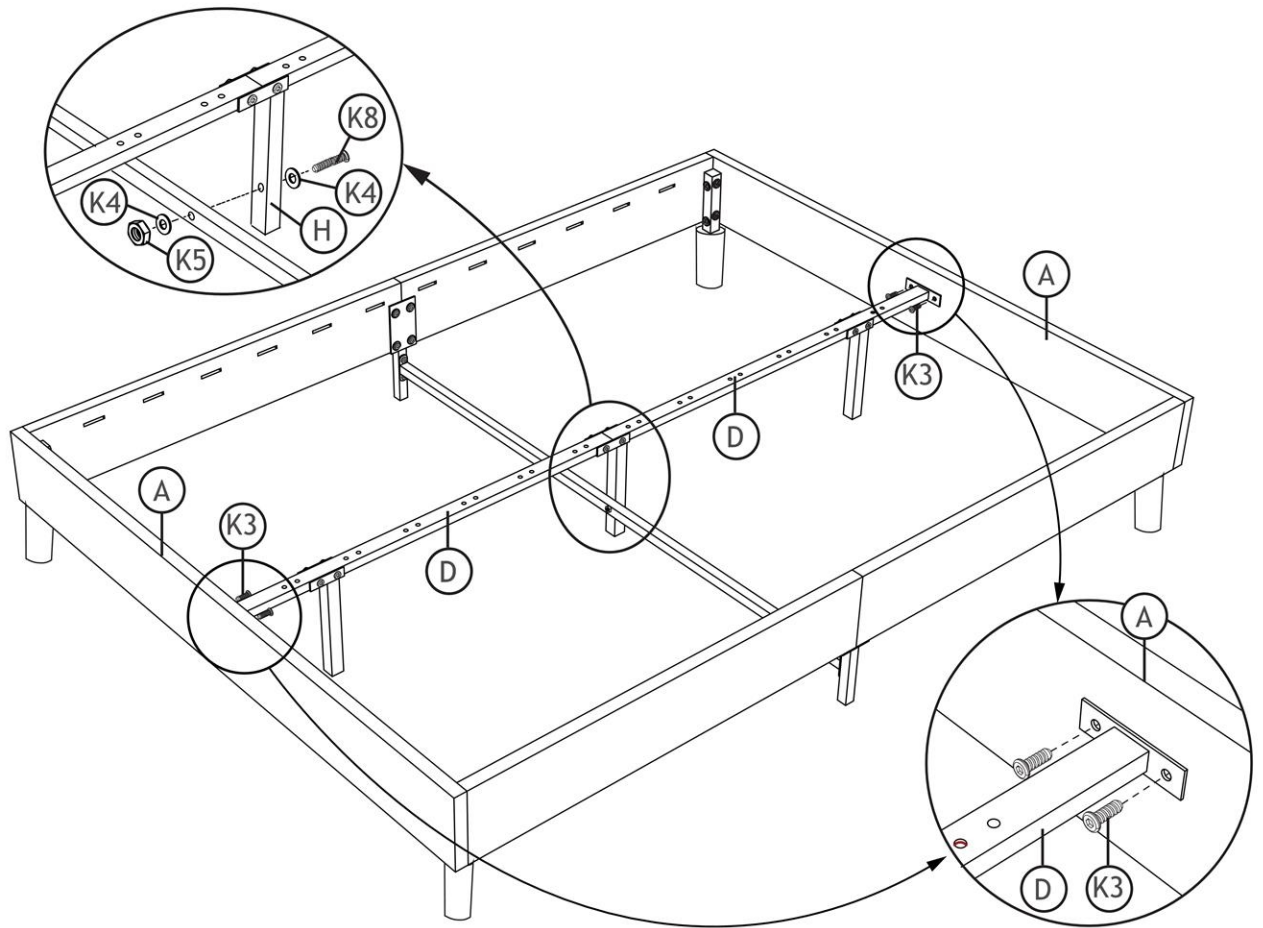
3



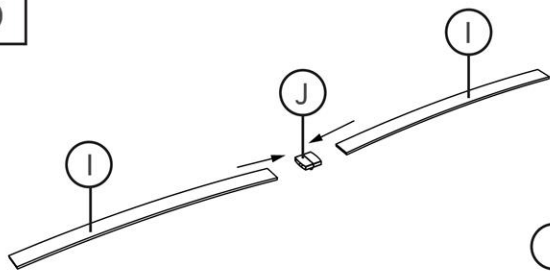
4



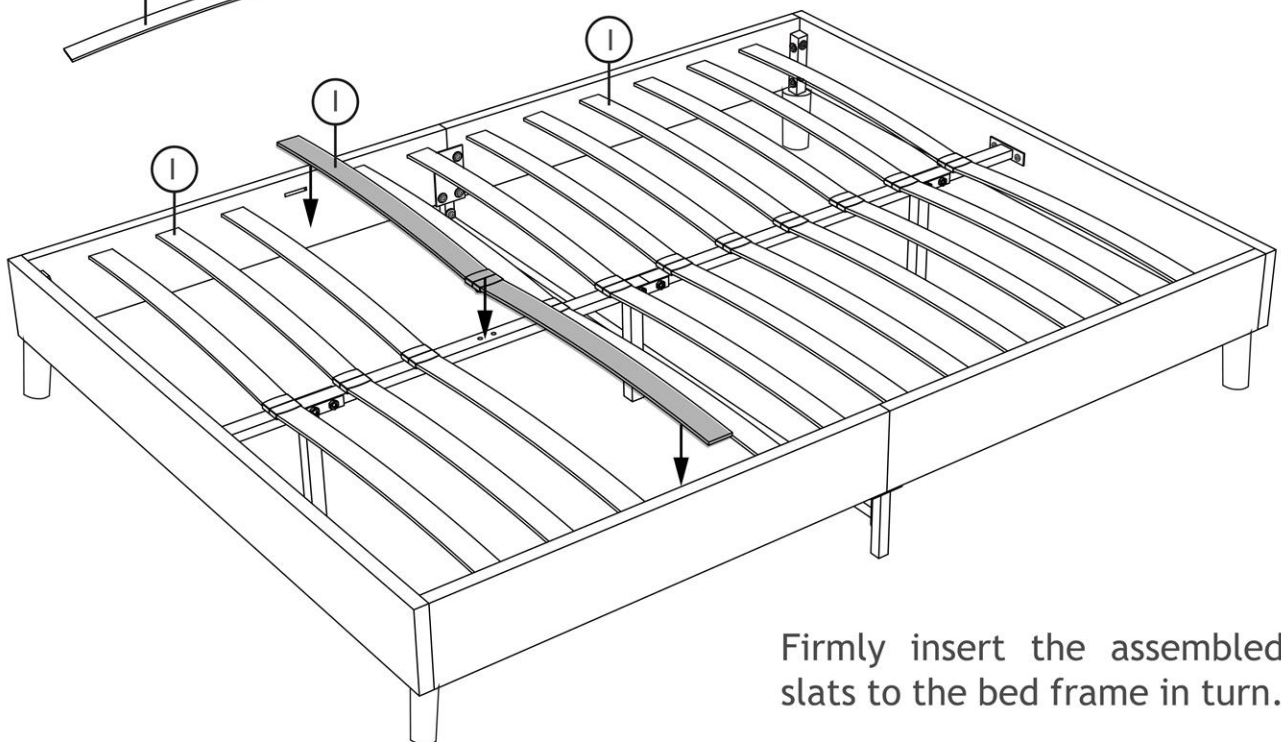
5



6

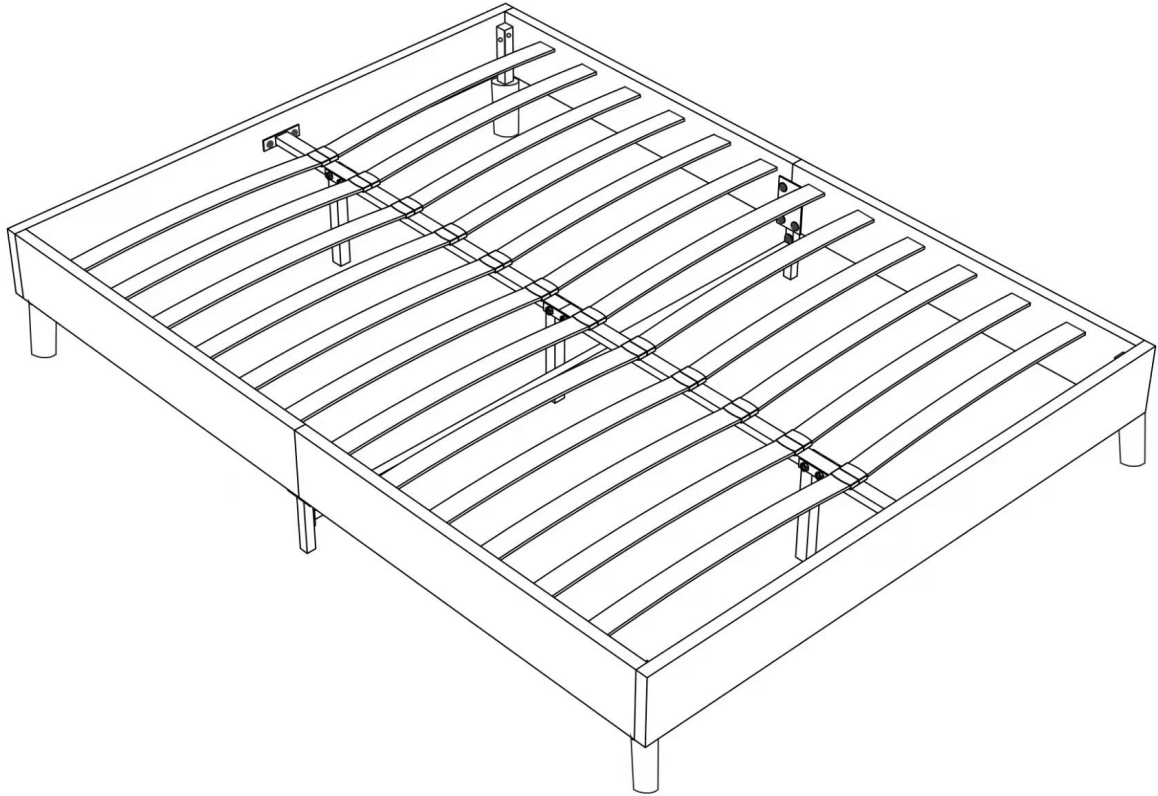


Assemble the two slats (I) with plastic buckles (J).



Firmly insert the assembled slats to the bed frame in turn.

7



Feel free to contact us anytime with questions or comments at support@dreamo.com.au