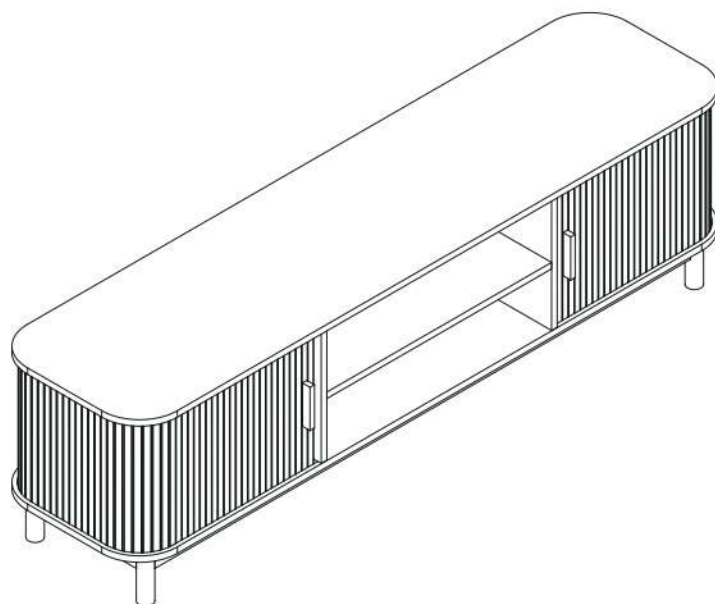


ASSEMBLY INSTRUCTION



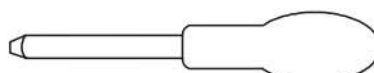
TAB-727C



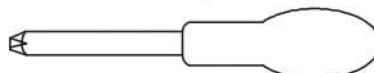
2 PERS.



60 MIN

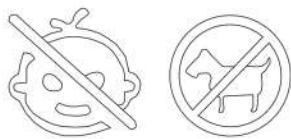


SLOTTED SCREWDRIVER(Not Provided)



POZI SCREWDRIVER(Not Provided)

Important Tips and Maintenance



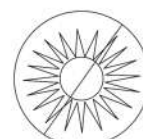
1.
Keep children and animals away from working area as smaller parts may cause choking if swallowed



2.
Never place liquids or anything damp upon furniture as it will mark, Ensure a coaster or running is beneath.



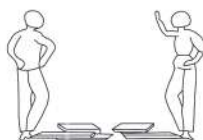
3.
New use ammonia based cleaning products as it will damage the finish.



4.
To avoid fading, keep furniture out of direct sunlight.



5.
Use a soft or damp cloth (dry cloth) when wiping or cleaning surface.



6.
Two person are required



7.
Lay a soft matt down to protect the furniture pieces before and during assembly.

TAB-727C

Assembling flat pack furniture could be slightly stressful. We recommend treating yourself to a cup of tea and taking a short rest after a few steps have been completed. Few tips to the assembling:

*Get ready

Space / Protect / Light / Safety

*Pre-battle prep

It is not tackling Mt Everest or running an ultra marathon but needs a certain amount of calm.

*Sort it out

Divide up the pieces of furniture before you start into relevant piles. Sorting and counting the screws.

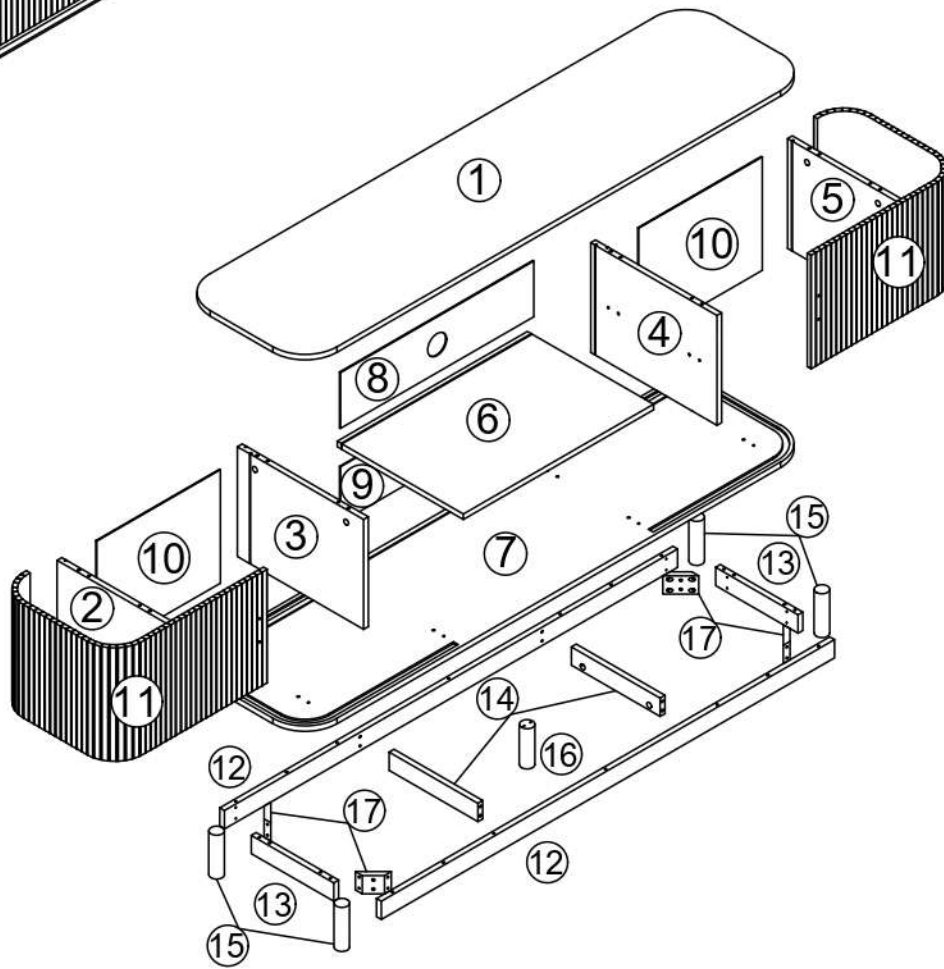
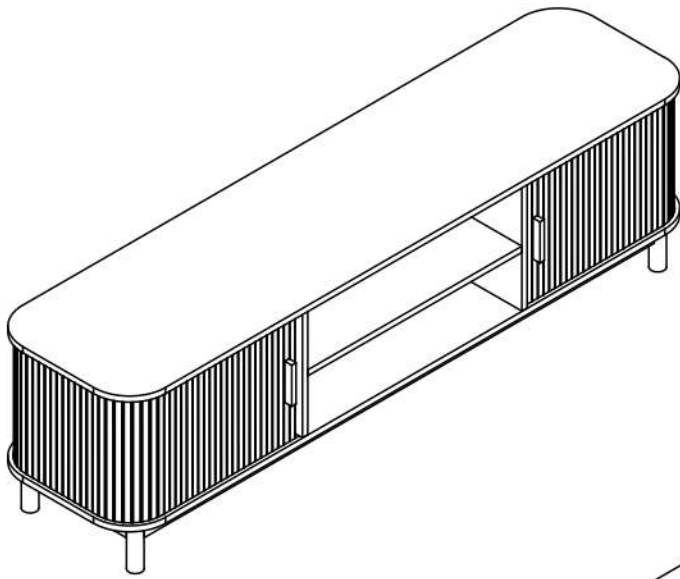
*Read up



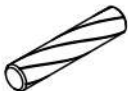







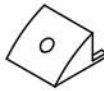


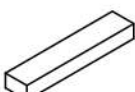

The instructions are just pictures with arrows and numbers, but familiarising yourself with the flow of the work stops you from making mistakes.

*On your marks

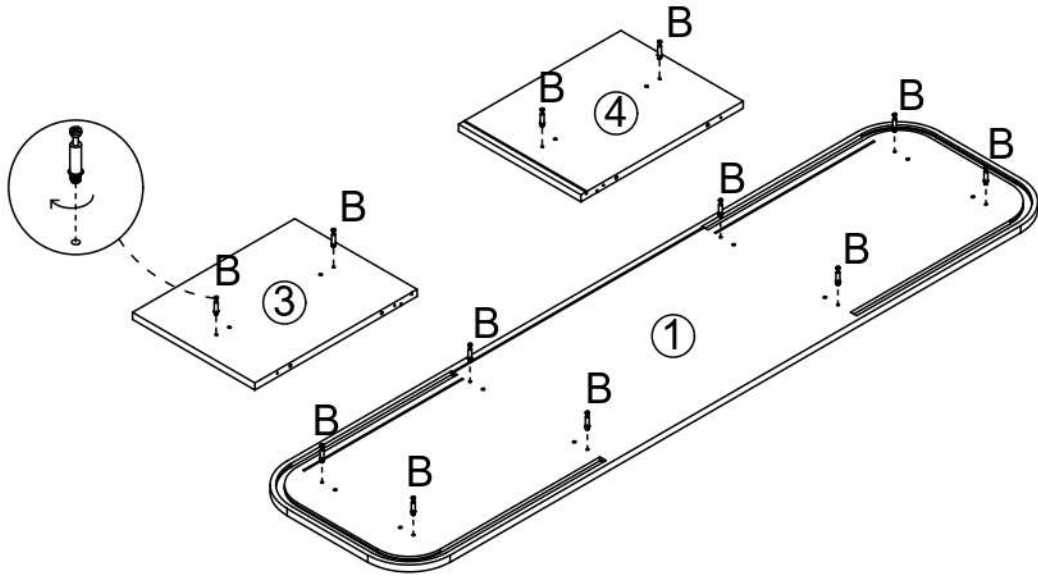
Remember, slow and steady wins the race

Feel free to contact your seller with any questions or comments

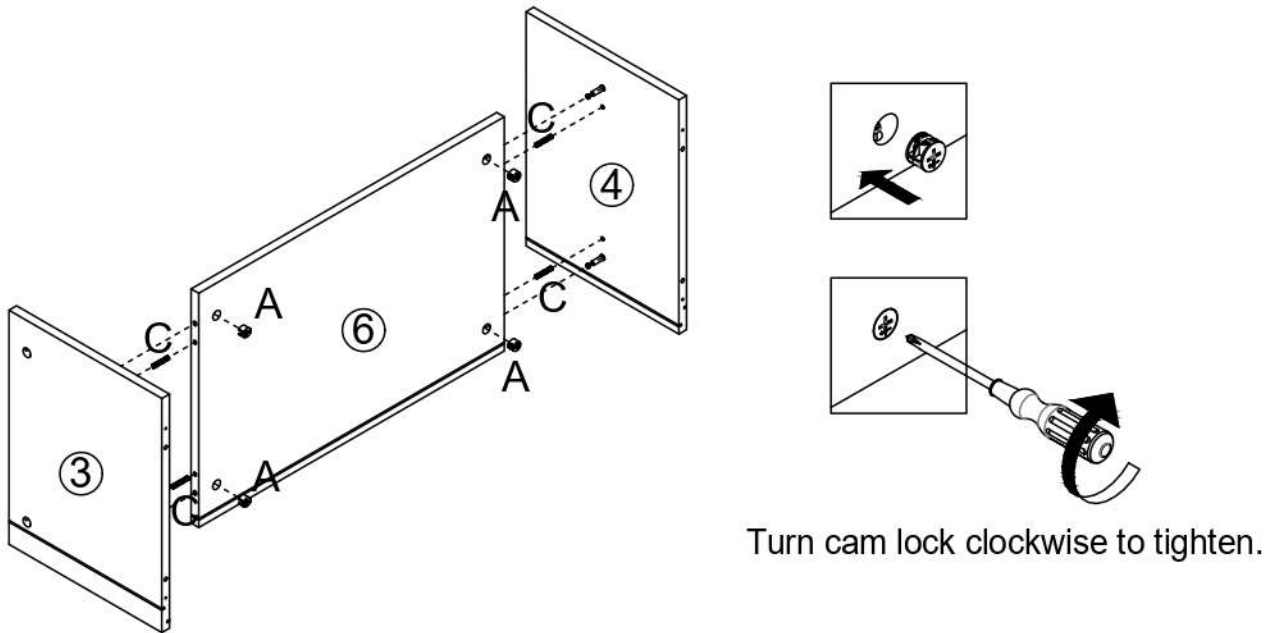


A  x16pcs	B  x16pcs	C  x32pcs	D  x20pcs	E  x2pcs	F  x8pcs
G  x14pcs	H  x8pcs	I  x4pcs	J  x1pc	K  x8pcs	L  x8pcs
M  x1pc	N  x2pcs	O  x1pc			

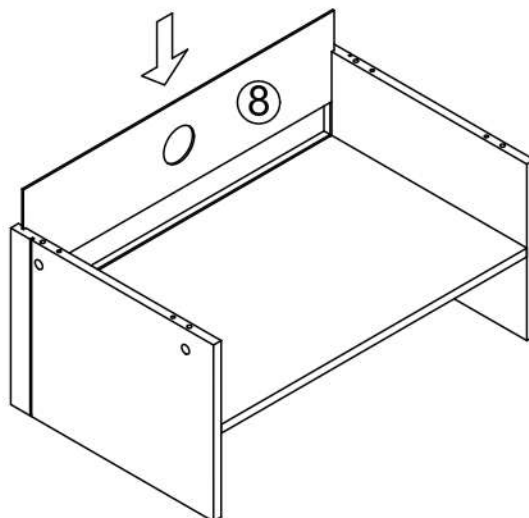
Step 1



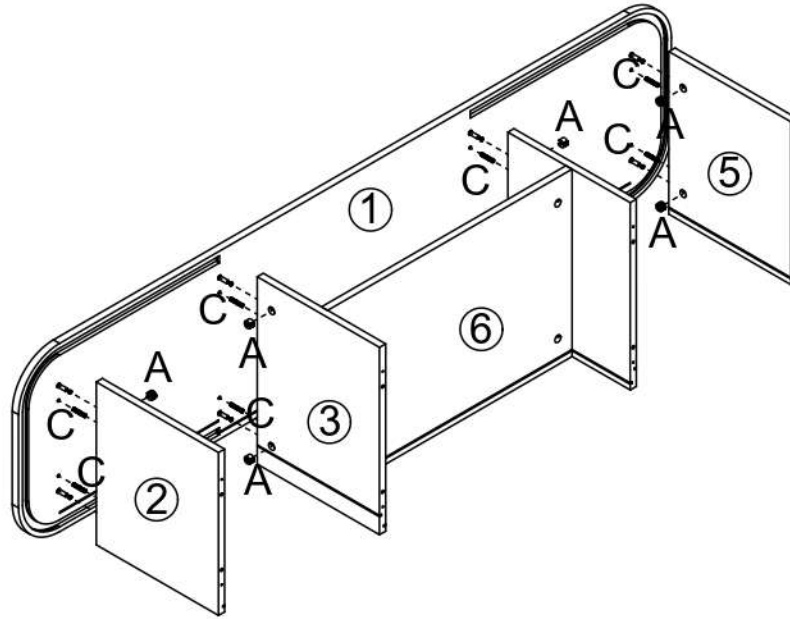
Step 2



Step 3



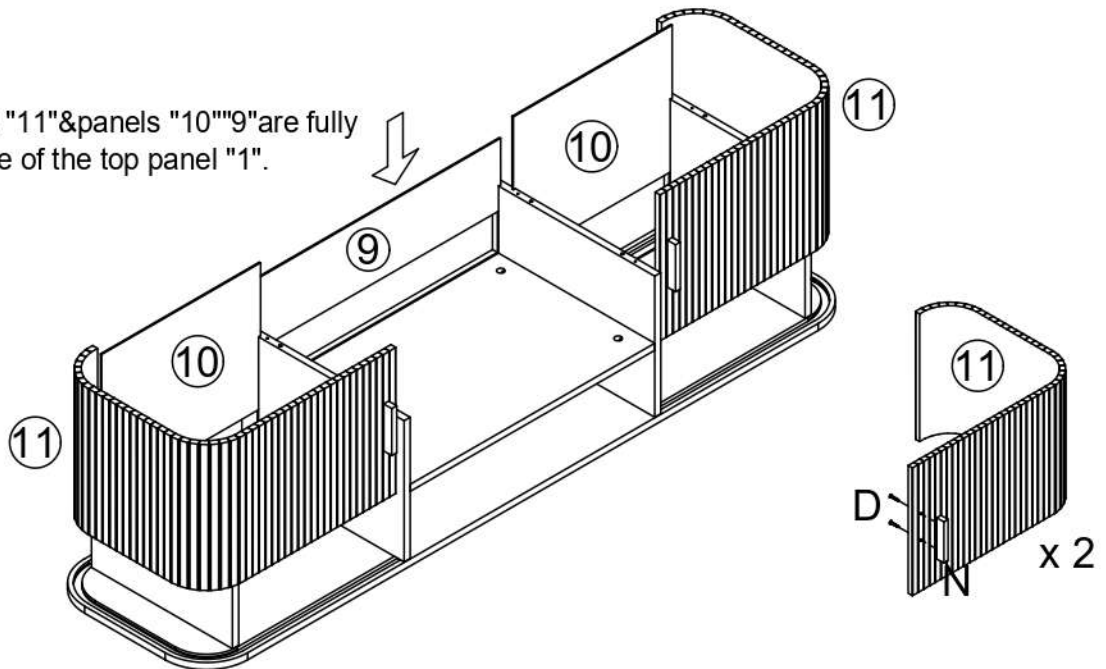
Step 4



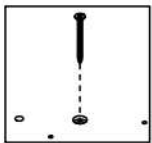
Step 5

Attention:

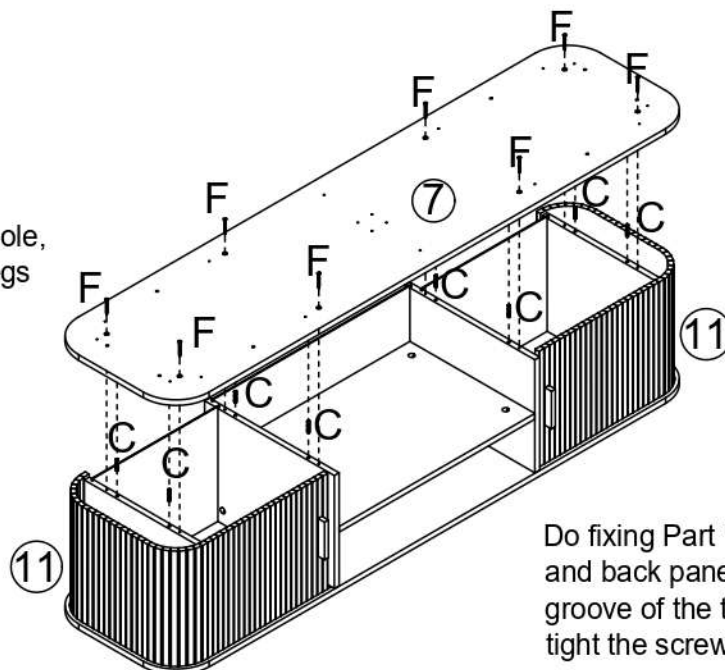
Make sure the doors "11" & panels "10" & "9" are fully inserted in the groove of the top panel "1".



Step 6

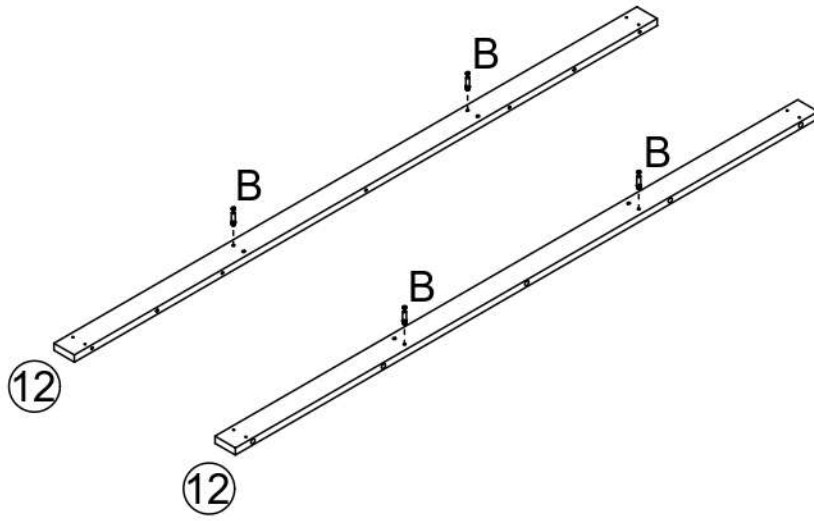


Please pay attention to this hole, the rest three holes are for legs frame installation.

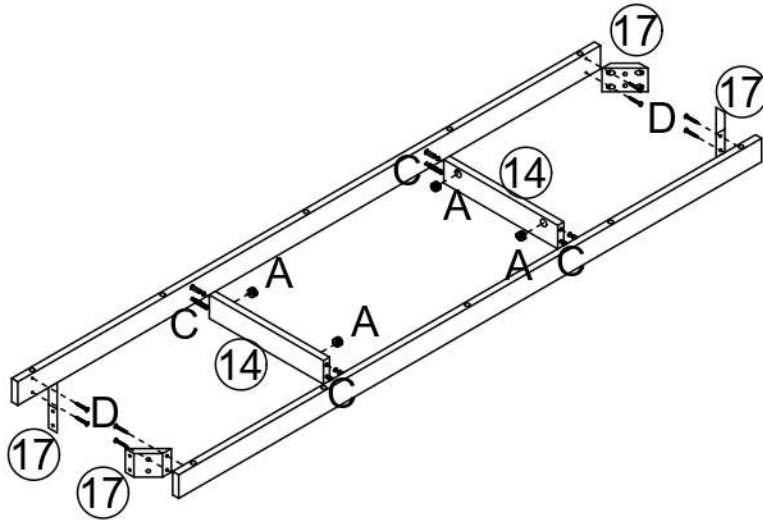


Do fixing Part "C" first. Make sure the doors and back panels are fully inserted in the groove of the top and bottom panels, then tight the screw "F".

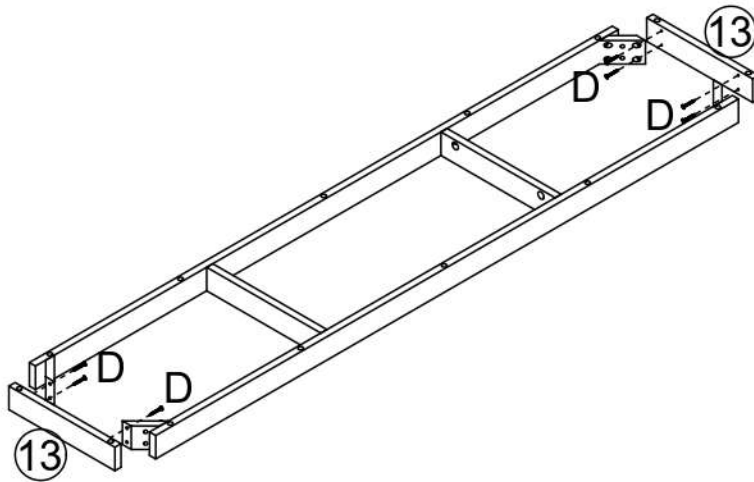
Step 7



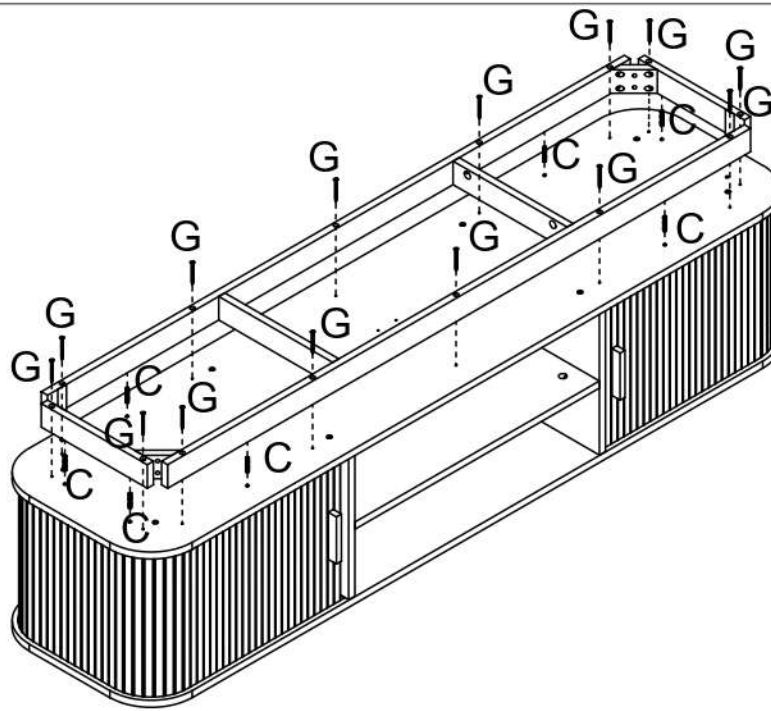
Step 8



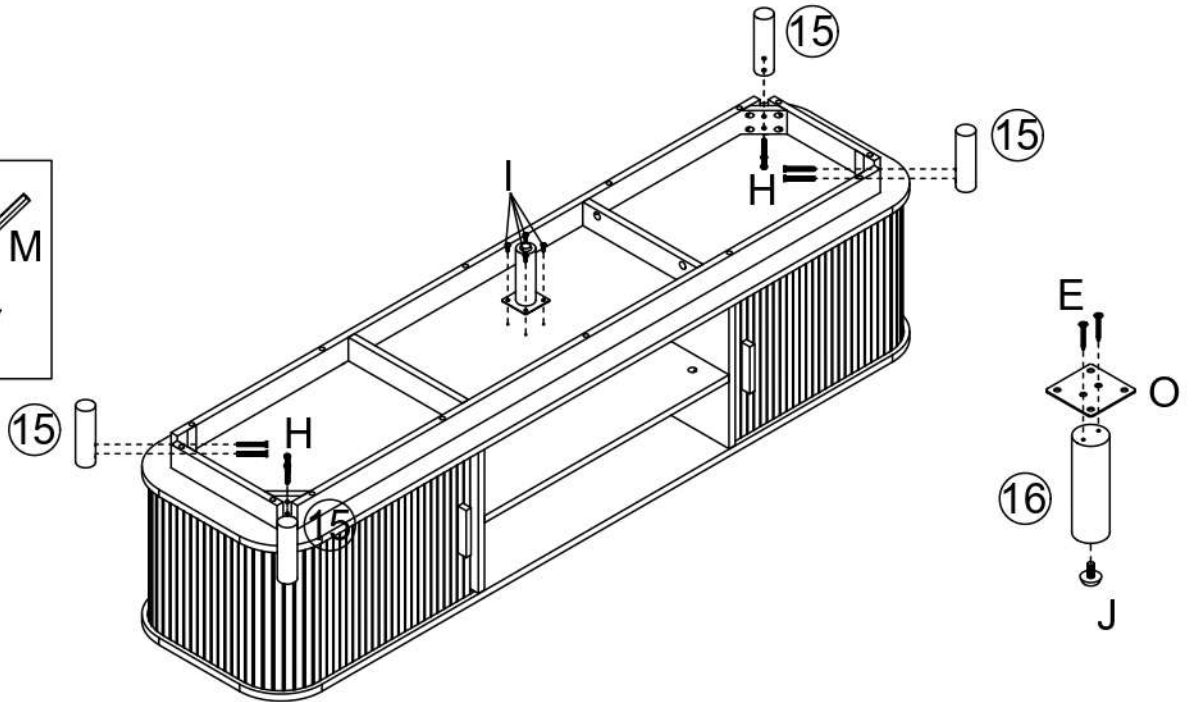
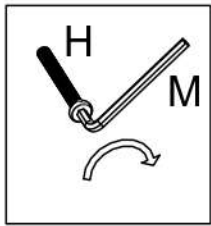
Step 9



Step 10

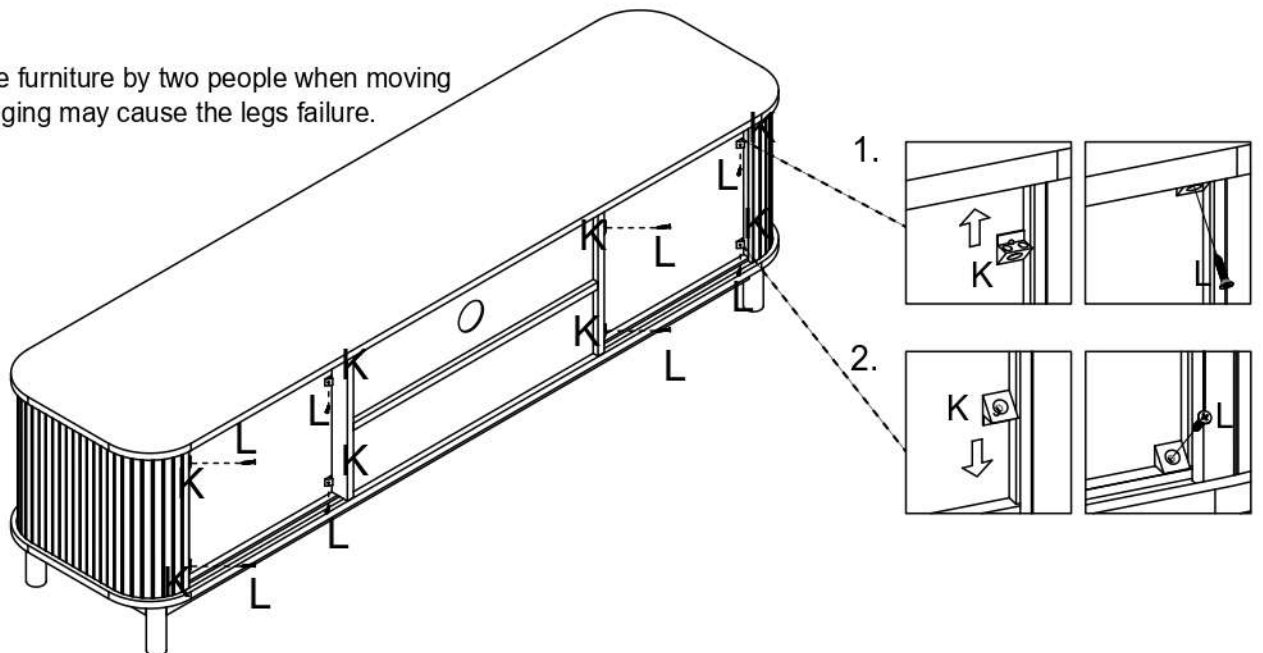


Step 11



Step 12

Warning:
Please lift up the furniture by two people when moving
is needed. Dragging may cause the legs failure.



Great Job, You're done!