

PE Wicker 13pc Dining Table Set

OTF-502S

## Attention!

Thank you for purchasing with us. For the sake of preserving the beauty and bright colors of your cushions, we strongly recommend you keep the cushions covers when not in use. The UV ray may certainly cause fade fast. A cover will help to keep out the suns rays and prevent moisture when you are getting on it.

## Reminder

We suggest you assemble the parts according to the diagram. Tighten pieces together but not too tight. Once every piece is connected, then use Allen key to fully tighten every pieces.

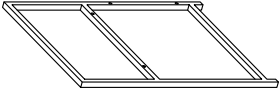
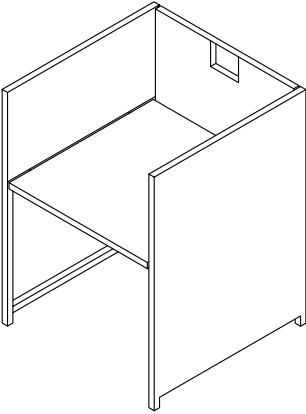
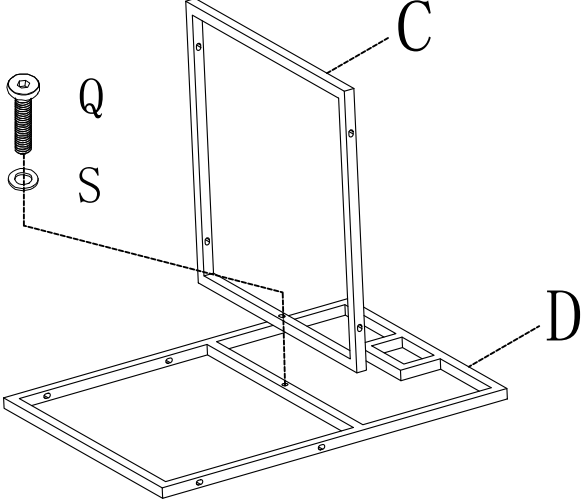
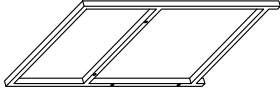
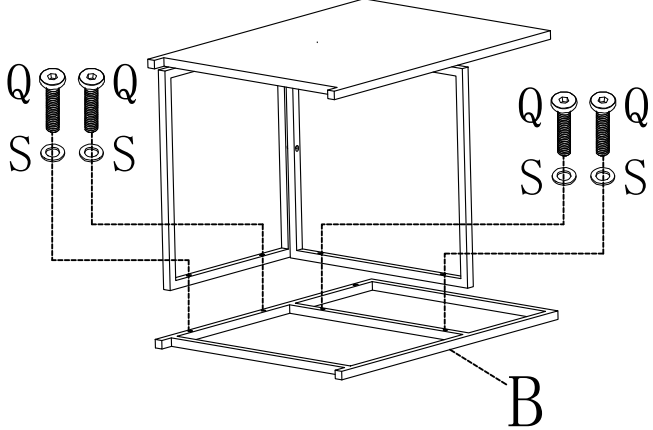
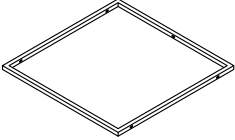
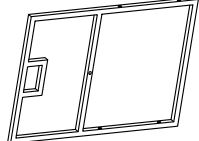
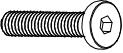

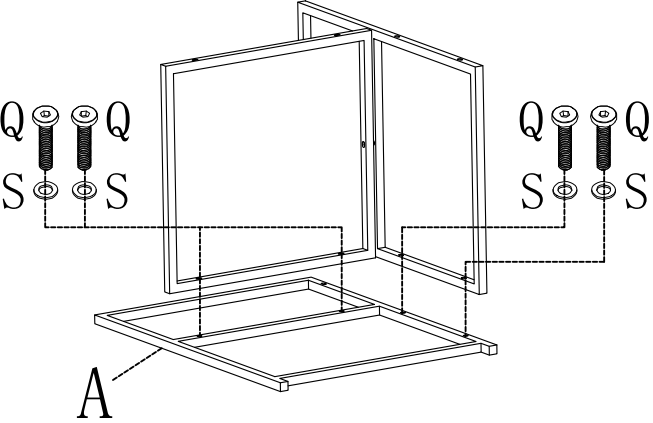
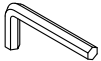
For table dining sets, please strictly assemble the pieces in this order:

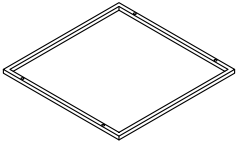
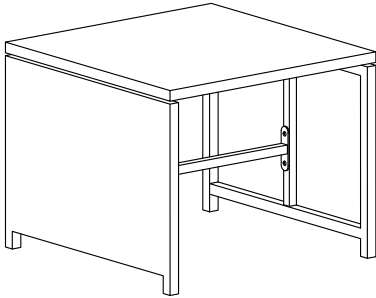
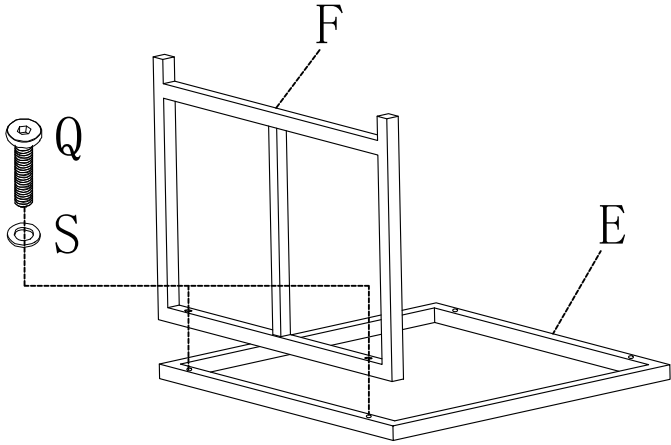
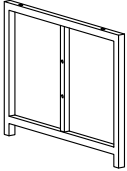
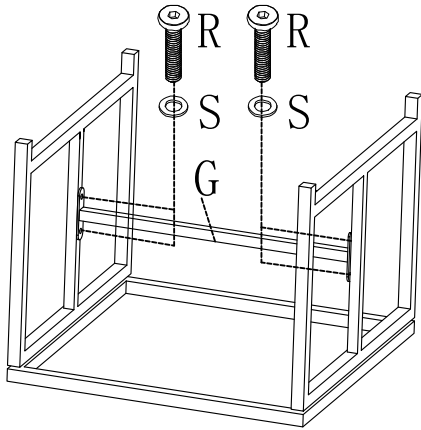

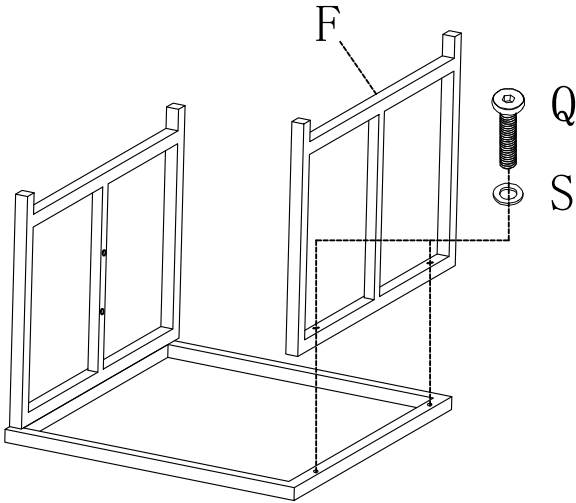
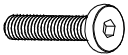
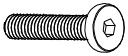

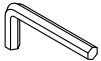
1.Chairs

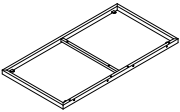
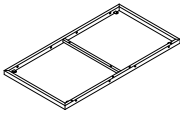
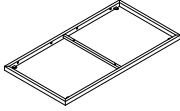
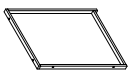
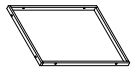
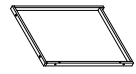
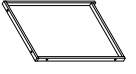
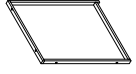
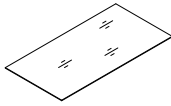
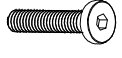

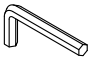
2.Ottomans

3.Table

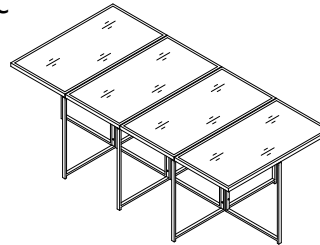
Feel free to contact us anytime with questions or comments at [support@dreamo.com.au](mailto:support@dreamo.com.au)

A		8 PCS	<p>Dining Chair 8pcs</p>  <p>⚠ DO NOT USE any type of power tool when assembling the furniture. It is easy to insert screws too far and cause damage.</p>	<p>Step 1 Dining Chair 8pcs</p> 
B		8 PCS		<p>Step 3 Dining Chair 8pcs</p> 
C		8 PCS		
D		8 PCS		
Q	 M6*35mm	72 PCS		
S		72 PCS	<p>Step 2 Dining Chair 8pcs</p> 	
T		1 PC		

E		4 PCS	<p>Footstool 4pcs</p>  <p>⚠ DO NOT USE any type of power tool when assembling the furniture. It is easy to insert screws too far and cause damage.</p>	<p>Step 1 Footstool 4pcs</p> 
F		8 PCS		<p>Step 3 Footstool 4pcs</p> 
G		4 PCS	<p>Step 2 Footstool 4pcs</p> 	
Q	 M6*35mm	16 PCS		
R	 M6*16mm	16 PCS		
S		32 PCS		
T		1 PC		

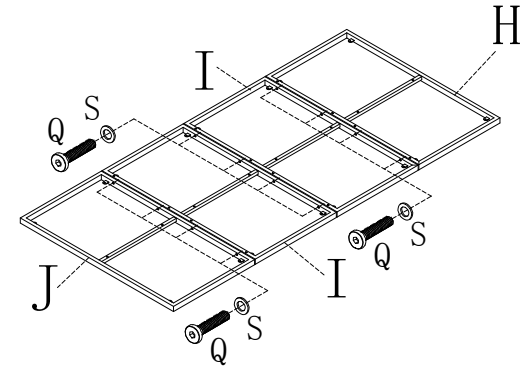
H		1 PC
I		2 PCS
J		1 PC
K		1 PC
L		2 PCS
M		3 PCS
N		3 PCS
O		1 PC
P		4 PCS
Q	 M6*35mm	48 PCS
S		48 PCS
T		1 PC

### Dining Tabal 1pc

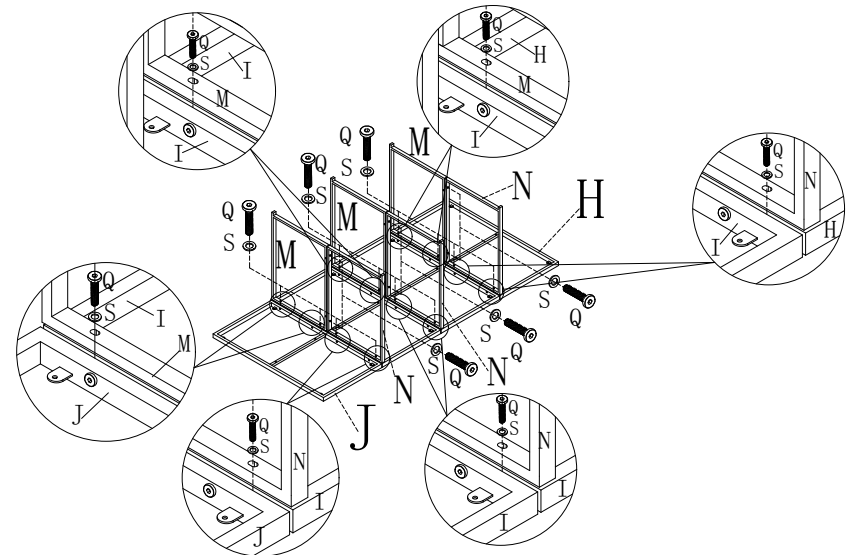


⚠ DO NOT USE any type of power tool when assembling the furniture. It is easy to insert screws too far and cause damage.

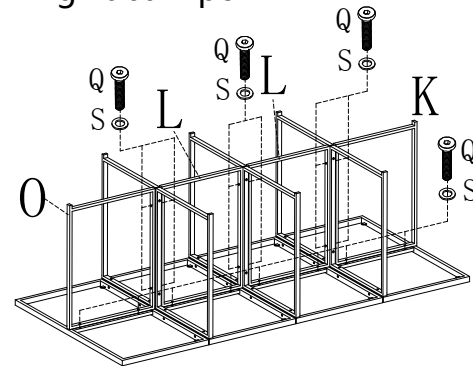
### Step 1 Dining Tabal 1pc



### Step 2 Dining Tabal 1pc



### Step 3 Dining Tabal 1pc



### Step 4 Dining Tabal 1pc

