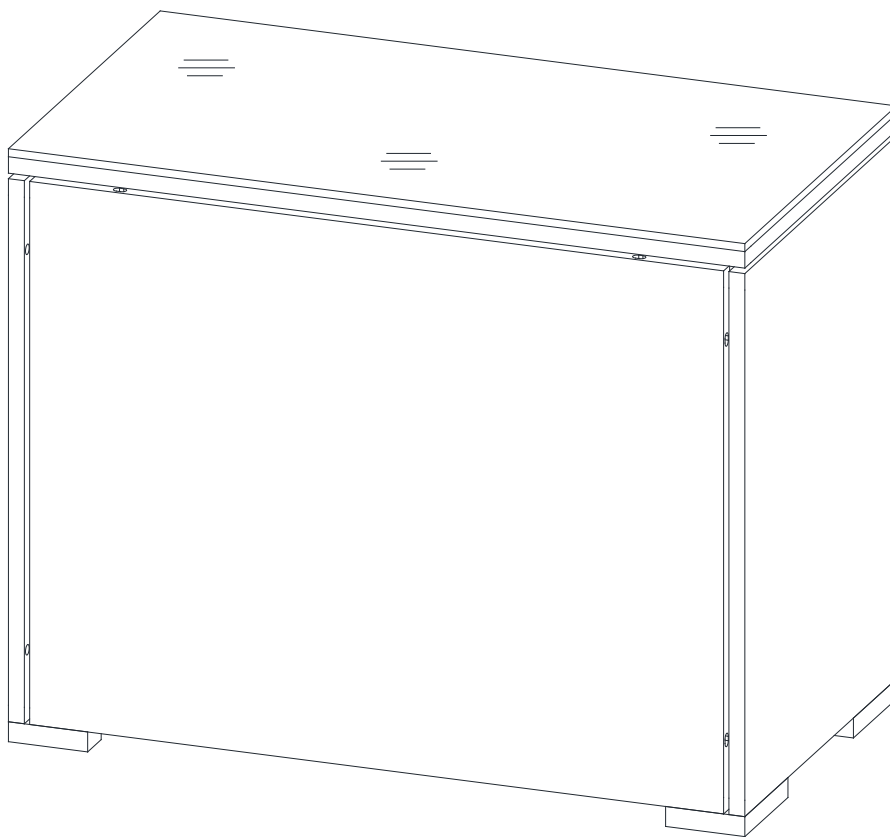


DREAMO

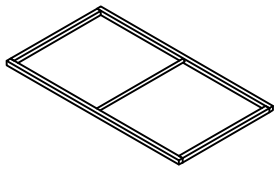


OTF-530S

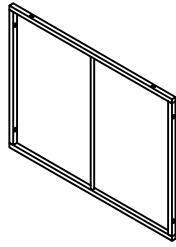
Reminder

We suggest you assemble the parts according to the diagram. Tighten pieces together but not too tight. Once every piece is connected, then use Allen key to fully tighten every pieces.

Feel free to contact us anytime with questions or comments at support@dreamo.com.au



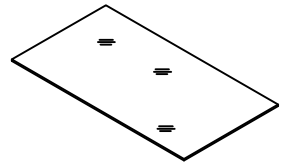
A*1PC



B*2PCS



C*2PCS



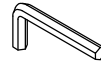
D*1PC



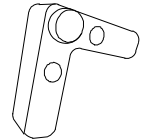
E*20PCS
M6*35mm



F*12PCS



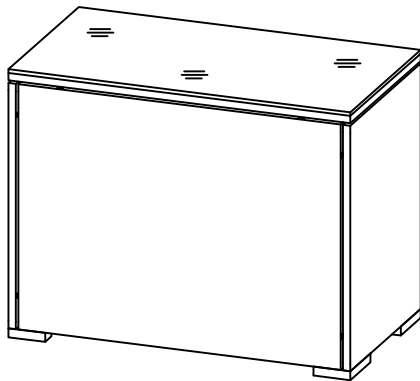
G*1PC



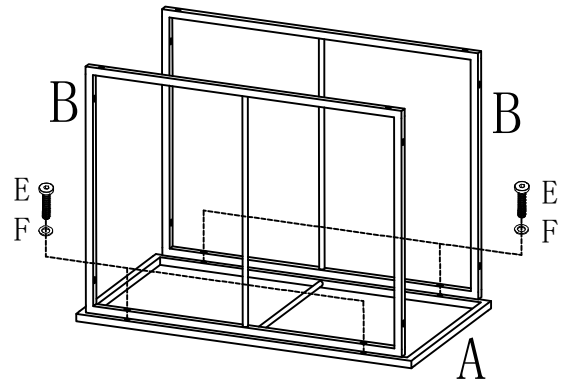
H*4PCS

⚠ DO NOT USE any type of power tool when assembling the furniture. It is easy to insert screws too far and cause damage.

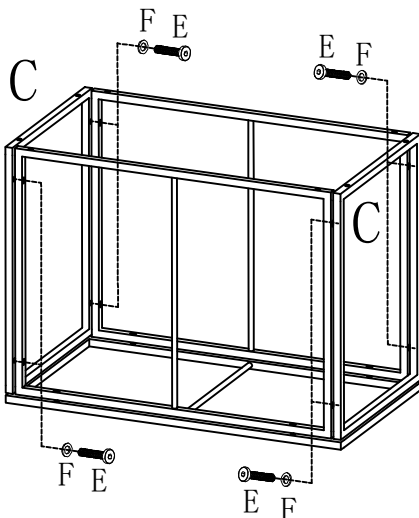
Coffee table 1pc



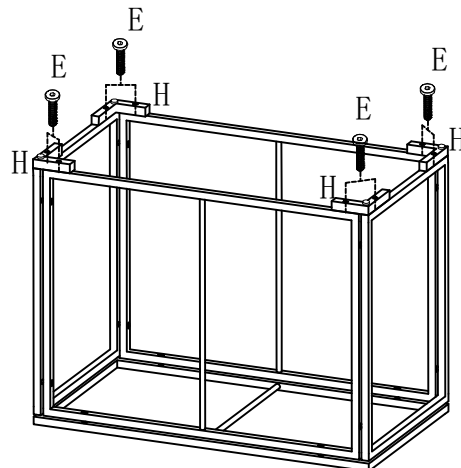
Step 1 Coffee table 1pc



Step 2 Coffee table 1pc



Step 3 Coffee table 1pc



Step 4 Coffee table 1pc

