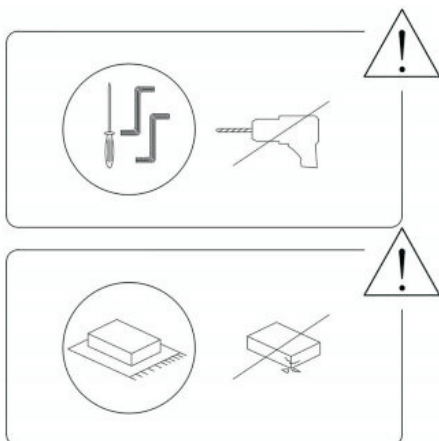


DREAMO

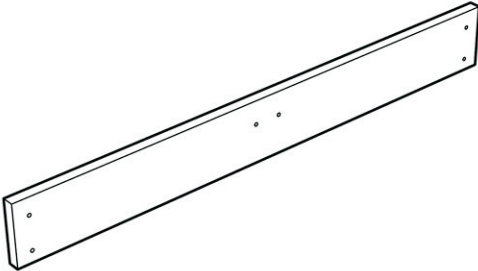
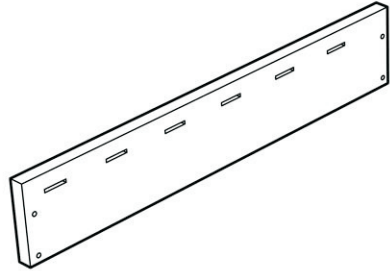
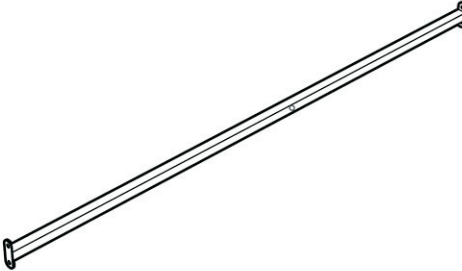
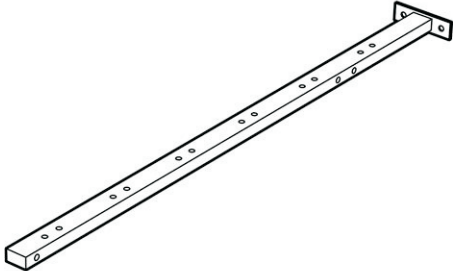
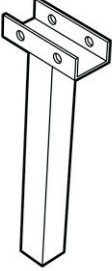
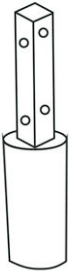
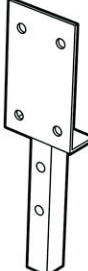

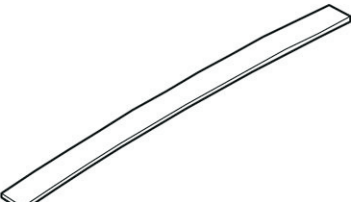

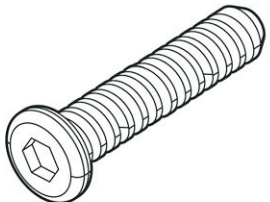
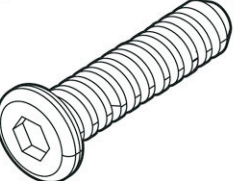
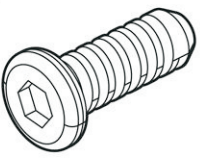

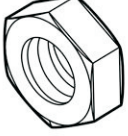
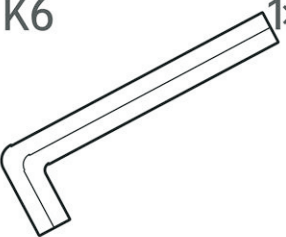

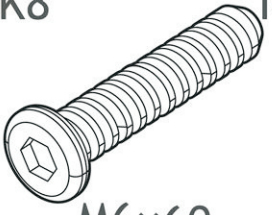
PLATFORM BED

BFS-206F



DO NOT USE any type of power tools when assembling the furniture. It is easy to insert screws too far and cause damage!

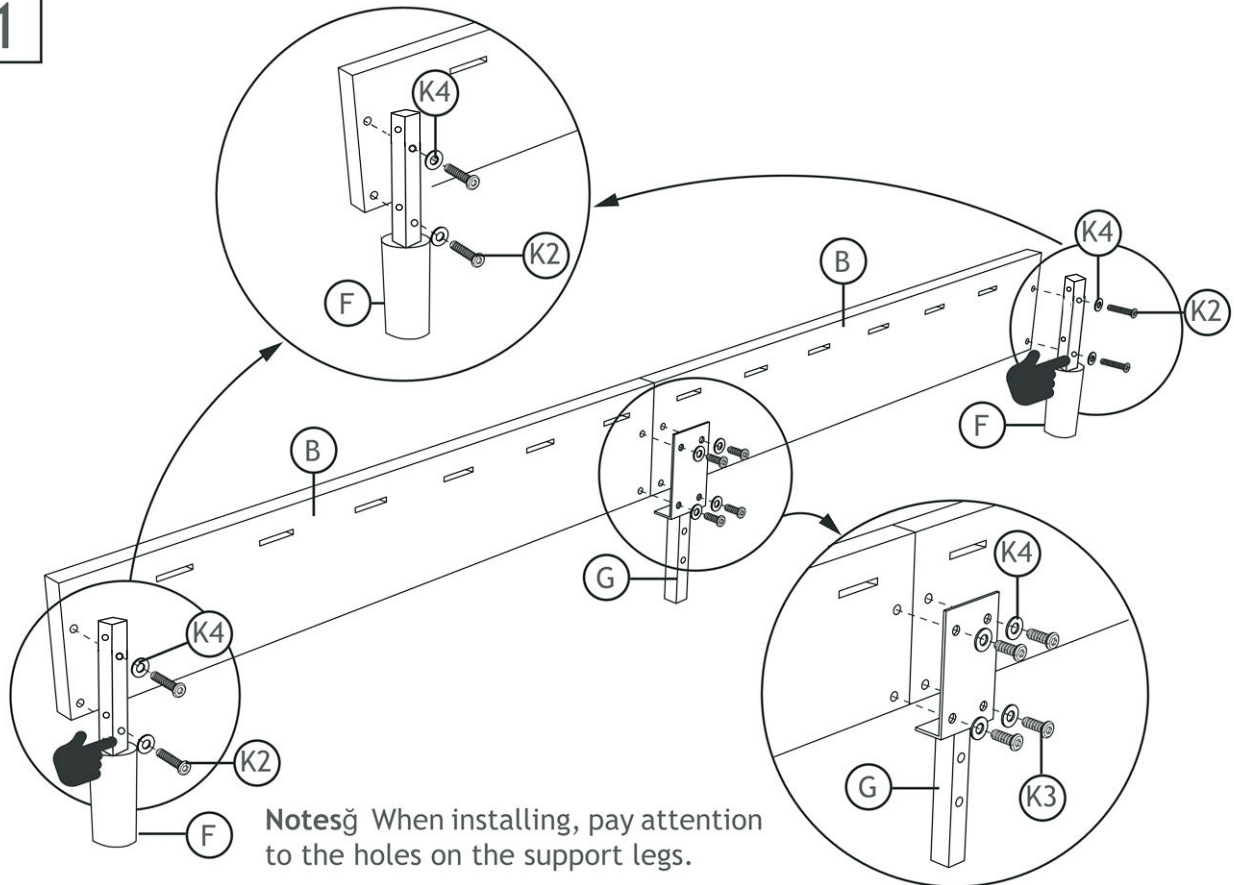
PARTS LIST

<p>A 2×</p> 	<p>B 4×</p> 		
<p>C 1×</p> 	<p>D 2×</p> 		
<p>E 2×</p> 	<p>F 4×</p> 	<p>G 2×</p> 	<p>H 1×</p> 
<p>I 24×</p> 	<p>J 12×</p> 	<p>K1 6×</p> <p>M6×50</p> 	
<p>K2 16×</p> <p>M6×45</p> 	<p>K3 16×</p> <p>M6×20</p> 	<p>K4 26×</p> 	<p>K5 7×</p> 
<p>K6 1×</p> 	<p>K7 1×</p> 	<p>K8 1×</p> <p>M6×60</p> 	

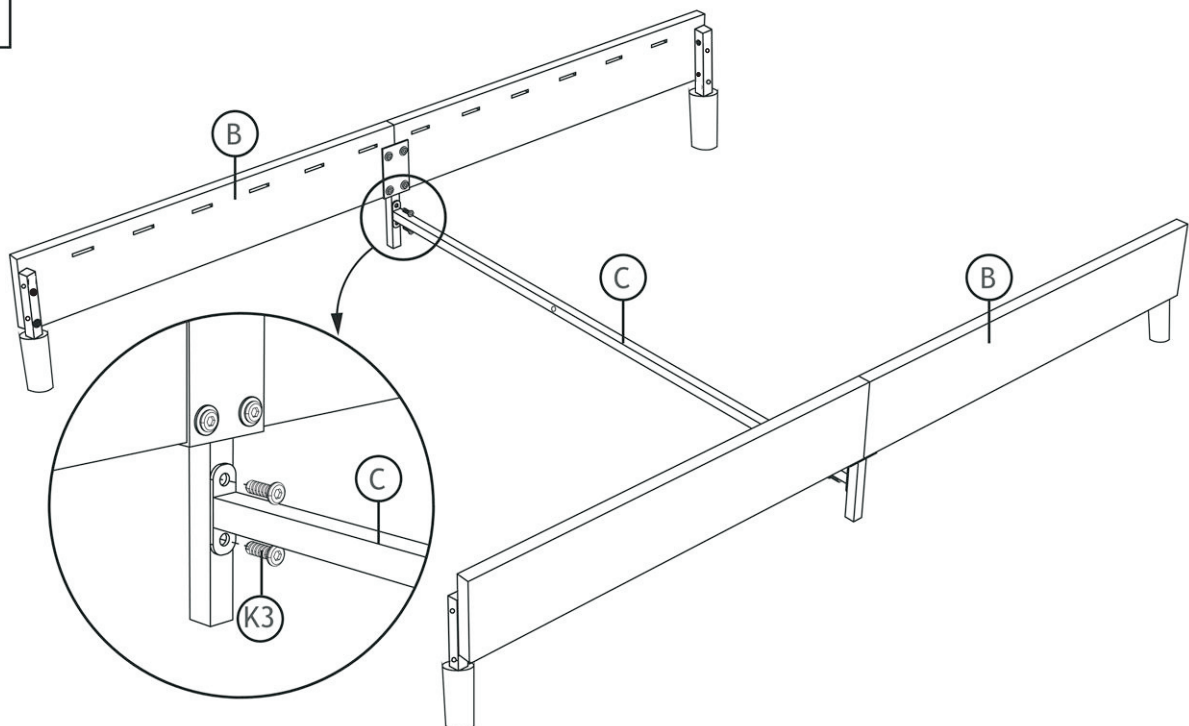
ASSEMBLY

Before your installation, please make sure that you have all the parts listed on the manual. If you find something missing, stop installing and contact your supplier immediately

1

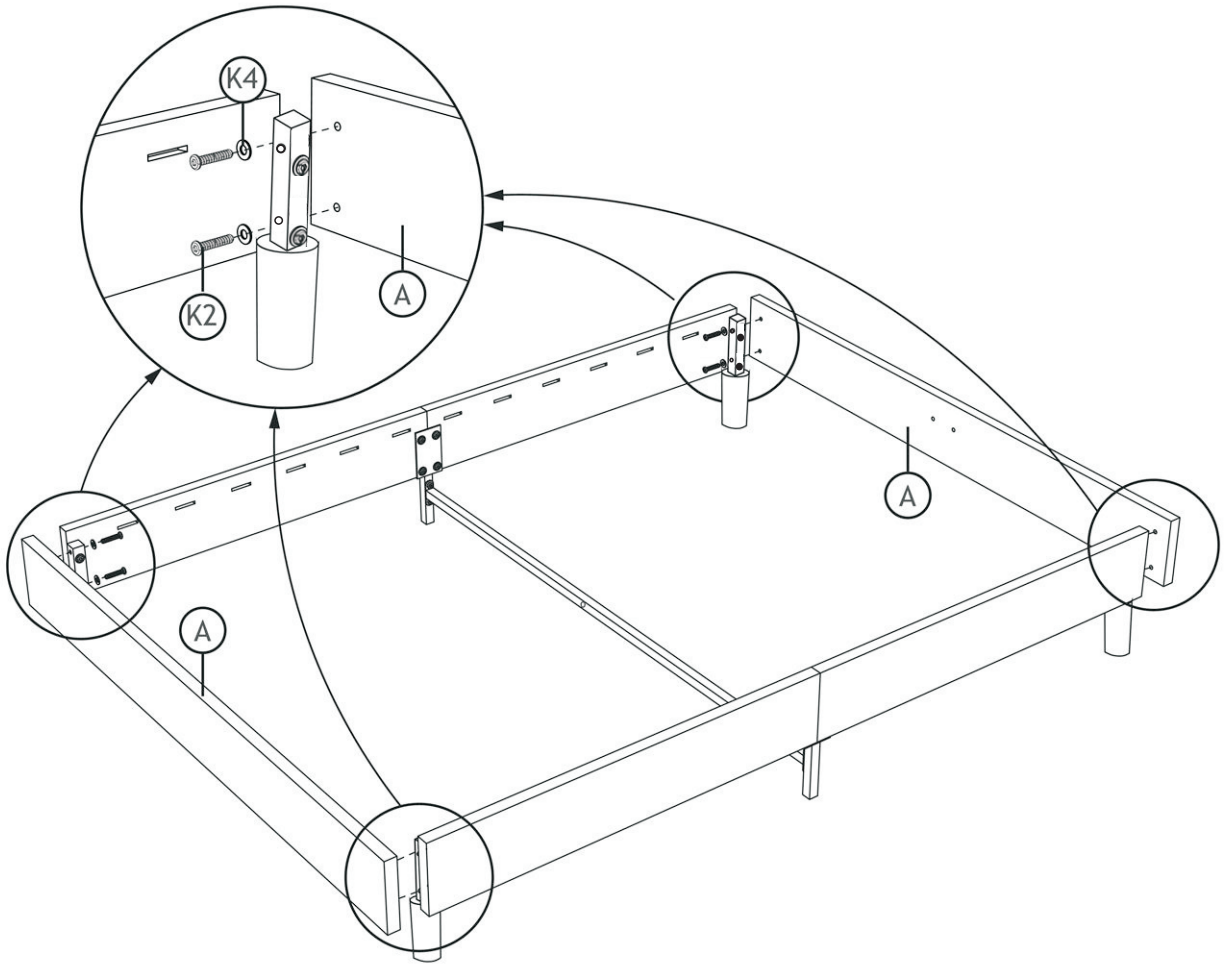


2

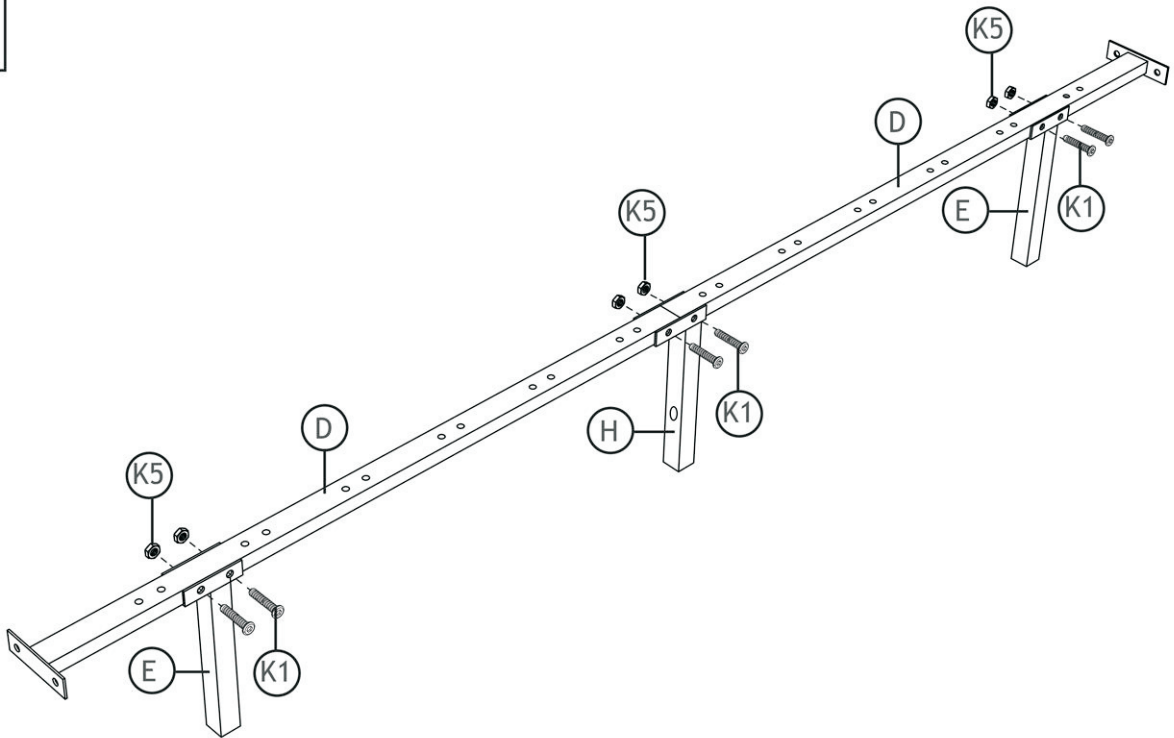


3

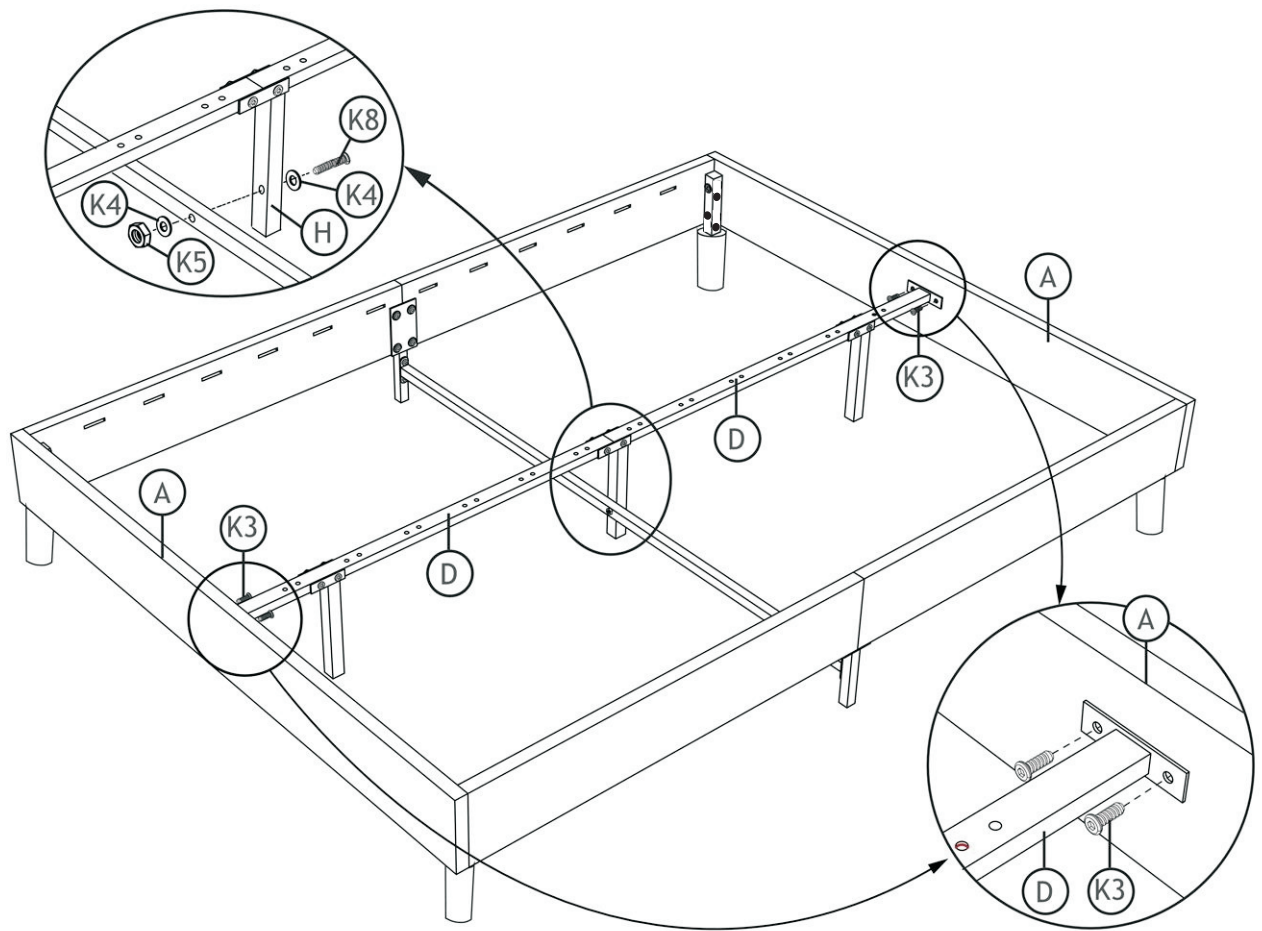
3



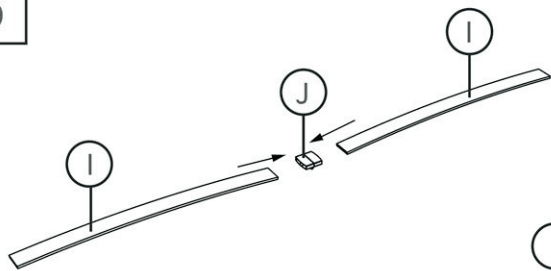
4



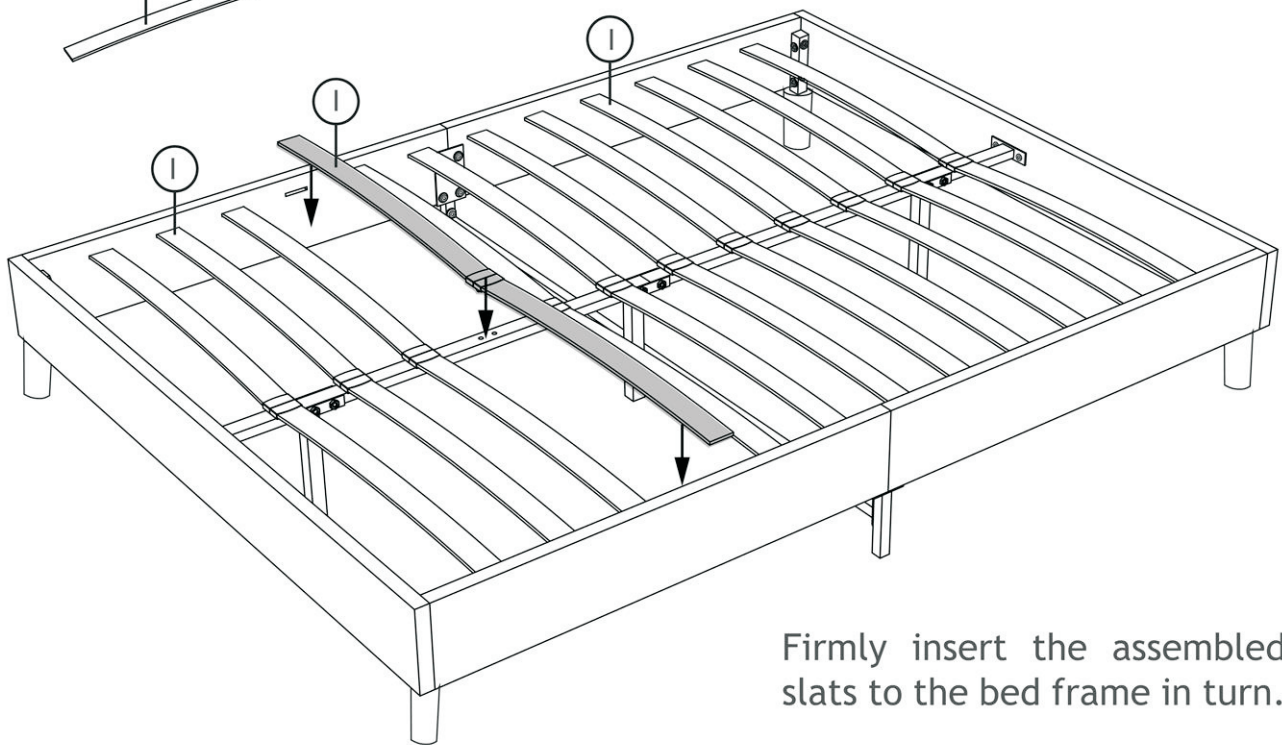
5



6

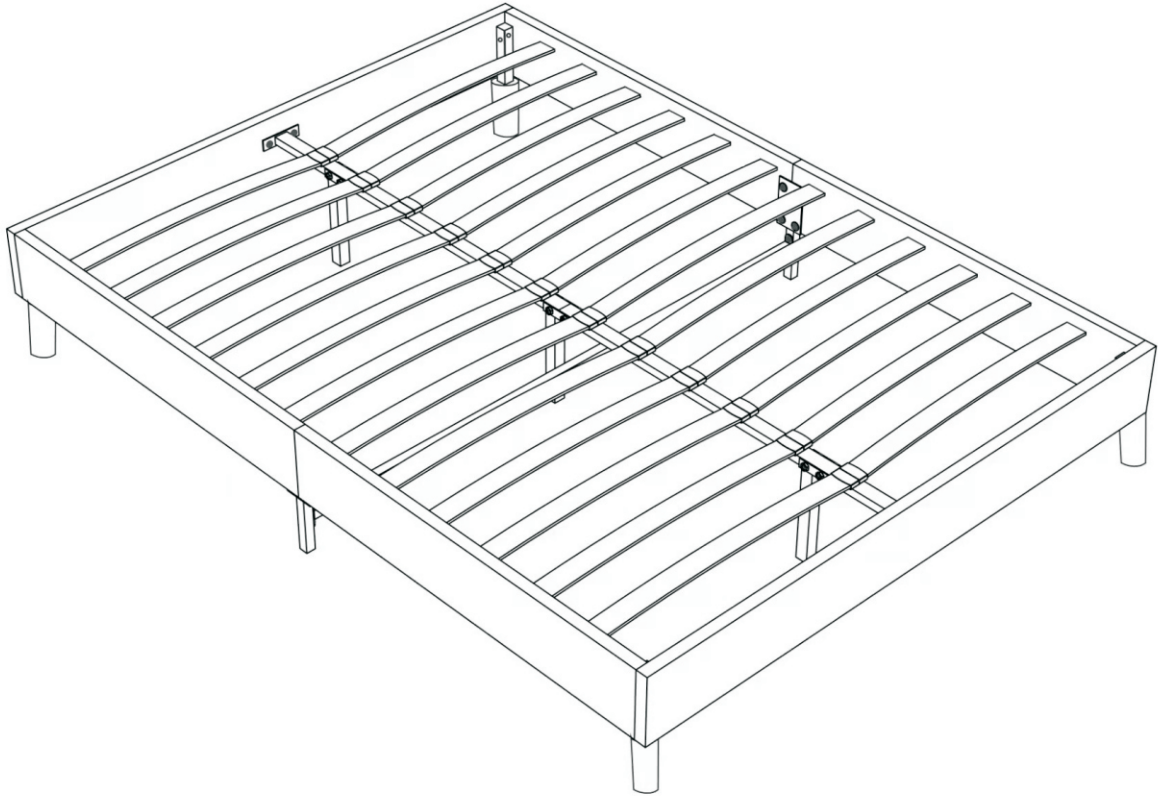


Assemble the two slats (I) with plastic buckles (J).



Firmly insert the assembled slats to the bed frame in turn.

7



Feel free to contact us anytime with questions or comments at support@dreamo.com.au