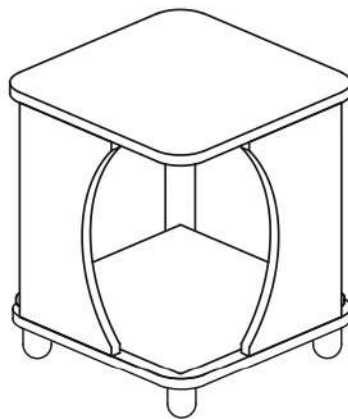

TIPS

- 1 Please review all parts and hardware before disposing of any packaging.
- 2 Check to be sure that all parts and hardware are complete before you start assembly.
- 3 Before beginning assembly, separate each type of screw.
- 4 **Using a screw that is too long will cause damage.**
- 5 Carefully study the screw diagrams below.
- 6 You may receive extra hardware with your unit.
- 7 Place all parts on a clean and smooth surface to avoid the parts from being scratched.
- 8 Keep the product away from heat and humidity.
- 9 Light blue stains and natural wood knots on the product are not considered defects.
- 10 Before start assembly, please categorize the hardware.

Required :
15 minutes

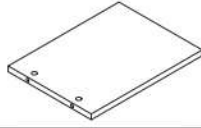


PART LIST

A Top Panel
1 Pc



B Side Panel (1)
2 Pcs



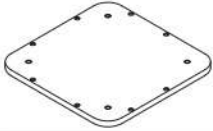
C Side Panel (2)
1 Pc



D Side Panel (3)
1 Pc



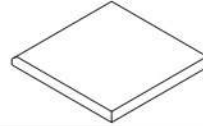
E Bottom Panel
1 Pc



F Leg
4 Pcs
*Remove and discard the plastic sleeve from the leg bolt.



G Cushion
1 Pc



HARDWARE LIST *Before start assembly, please categorize the hardware.

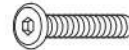
H Minifix Cam
8 Pcs



I Minifix Bolt
8 Pcs



J JCBC Screw M6 x 35mm
8 Pcs

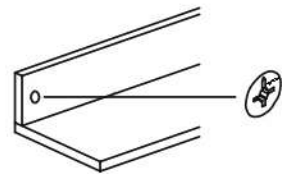
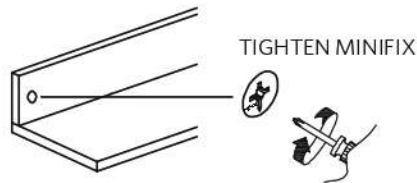
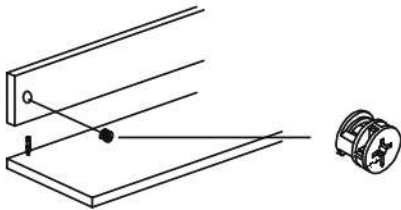


K Allen Key M4
1 Pc



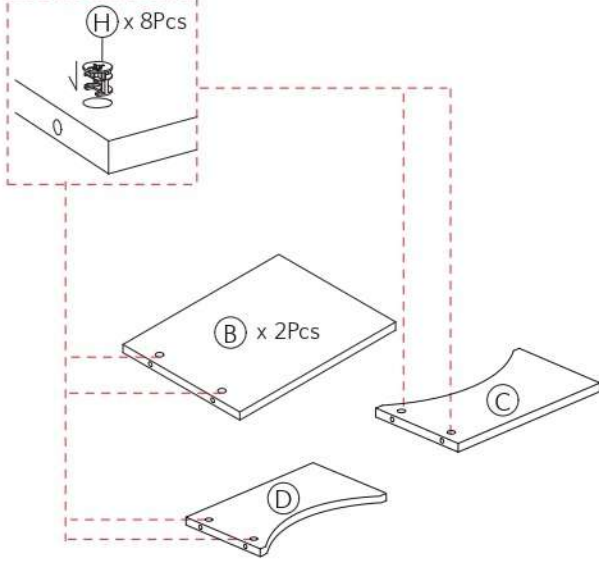
ATTENTION :

MINIFIX MUST BE USED IN THE CORRECT WAY :

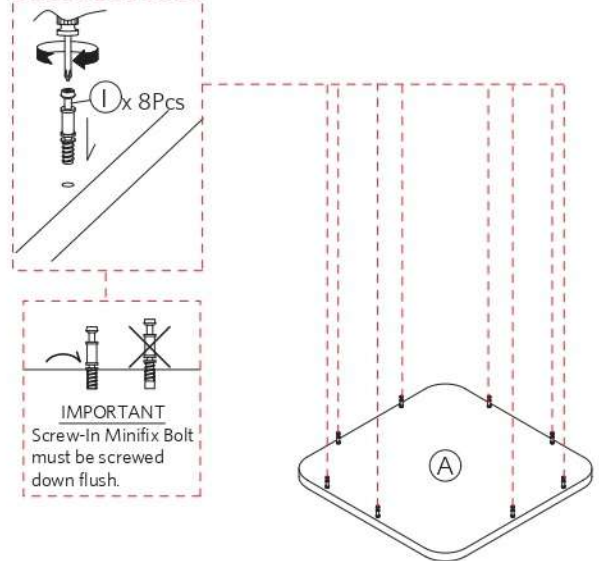


ASSEMBLY INSTRUCTIONS

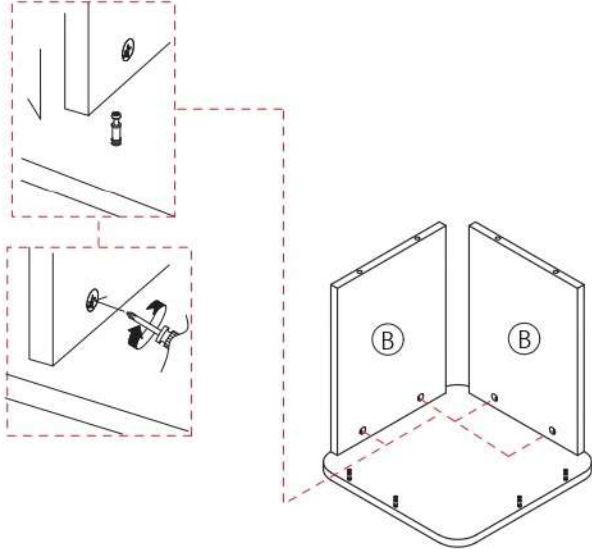
1 STEP 1



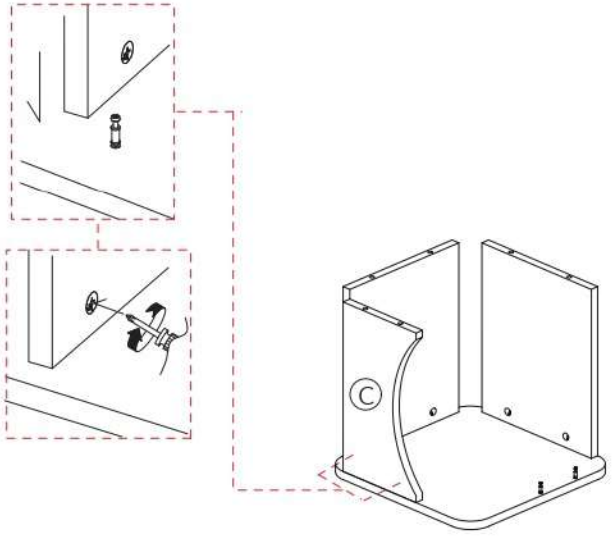
2 STEP 2



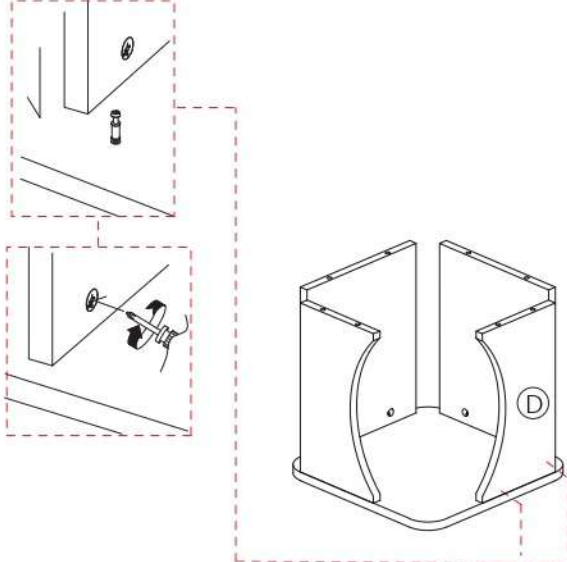
3 STEP 3



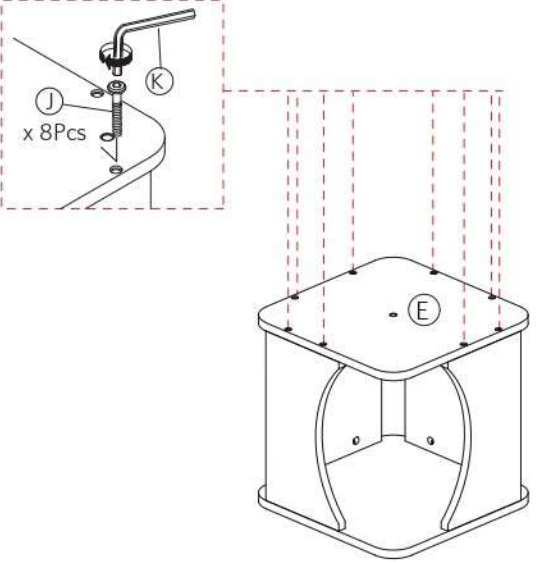
4 STEP 4



5 STEP 5



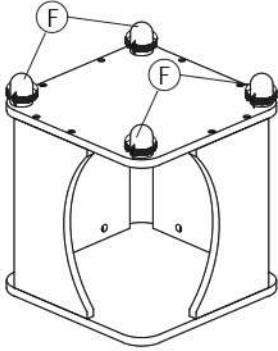
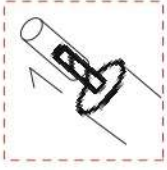
6 STEP 6



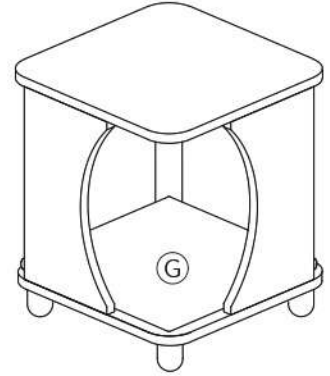
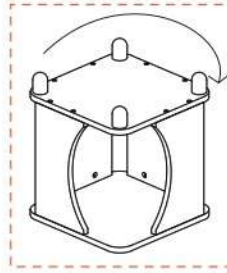
ASSEMBLY INSTRUCTIONS

7 STEP 7

*Remove and discard the plastic sleeve from the leg bolt.



8 STEP 8



9 STEP 9

