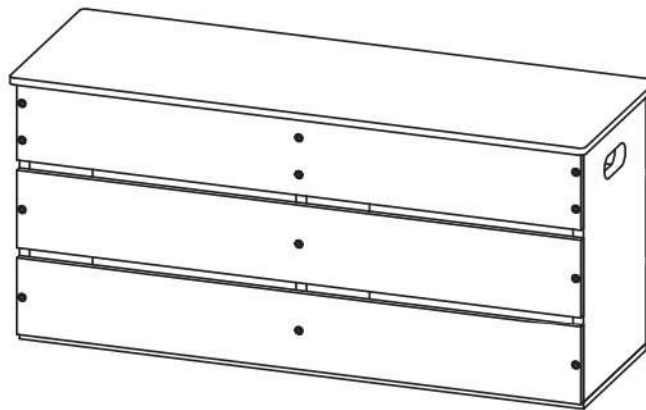




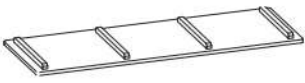
TIPS

- 1 Please review all parts and hardware before disposing of any packaging.
- 2 Check to be sure that all parts and hardware are complete before you start assembly.
- 3 Before beginning assembly, separate each type of screw.
- 4 **Using a screw that is too long will cause damage.**
- 5 Carefully study the screw diagrams below.
- 6 You may receive extra hardware with your unit.
- 7 Place all parts on a clean and smooth surface to avoid the parts from being scratched.
- 8 Keep the product away from heat and humidity.
- 9 Light blue stains and natural wood knots on the product are not considered defects.
- 10 Before start assembly, please categorize the hardware.

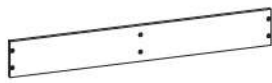


PART LIST

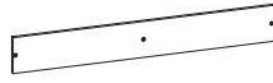
A Top Panel
1Pc



B Front Panel (1)
2Pcs



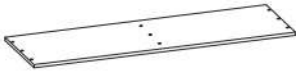
C Front Panel (2)
4Pcs



D Side Panel
2Pcs



E Bottom Panel
1Pc



F Center Panel
1Pc



HARDWARE LIST *Before start assembly, please categorize the hardware.

G JCBC Screw M6 x 25mm
33Pcs

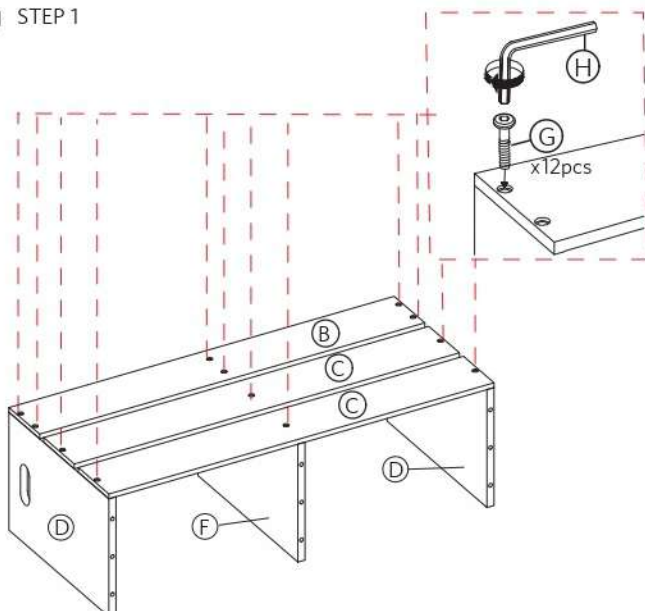


H Allen Key M4
1Pc

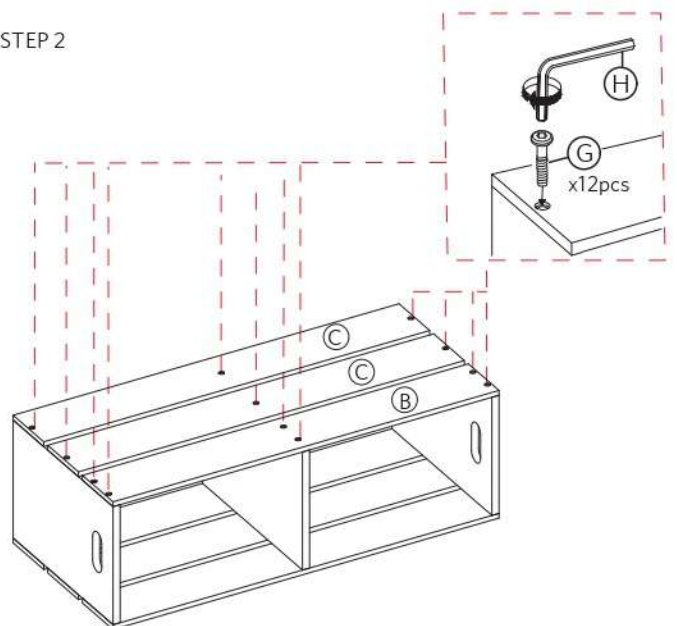


ASSEMBLY INSTRUCTIONS

1 STEP 1

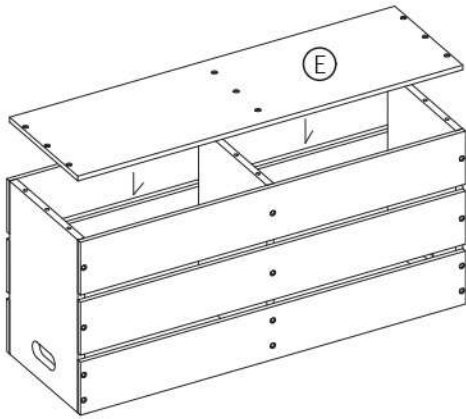


2 STEP 2

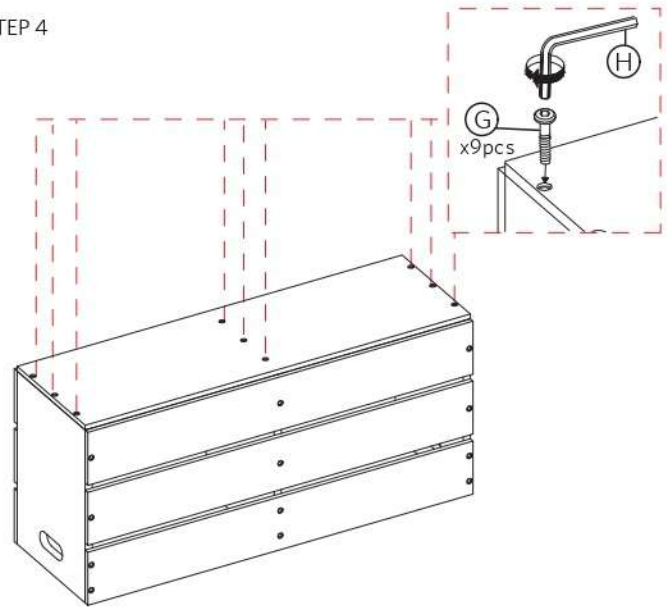


ASSEMBLY INSTRUCTIONS

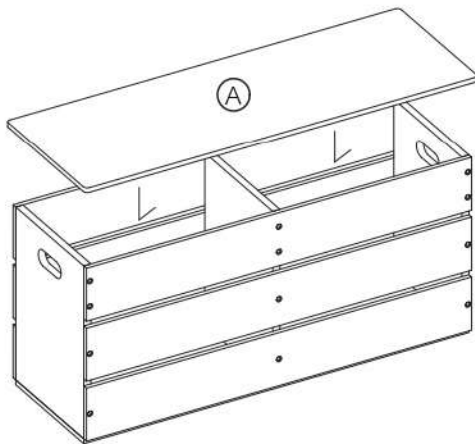
3 STEP 3



4 STEP 4



5 STEP 5



6 STEP 6

