

BIG TRIO COFFEE TABLE

ITEM NO. 30-5144

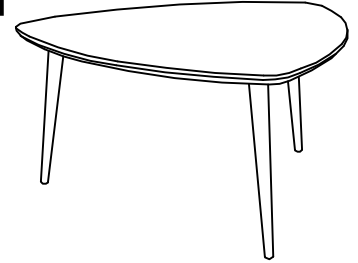
TIPS

- 1 Please review all parts and hardware before disposing of any packaging.
- 2 Check to be sure that all parts and hardware are complete before you start assembly.
- 3 Before beginning assembly, separate each type of screw.
- 4 Using a screw that is too long will cause damage.
- 5 Carefully study the screw diagrams below.
- 6 You may receive extra hardware with your unit.
- 7 Place all parts on a clean and smooth surface to avoid the parts from being scratched.
- 8 Keep the product away from heat and humidity.
- 9 Light blue stains and natural wood knots on the product are not considered defects.

Scan Me For Step-By-Step
Real Photo Assembly Instructions



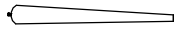
Required :
5 minutes



PART LIST

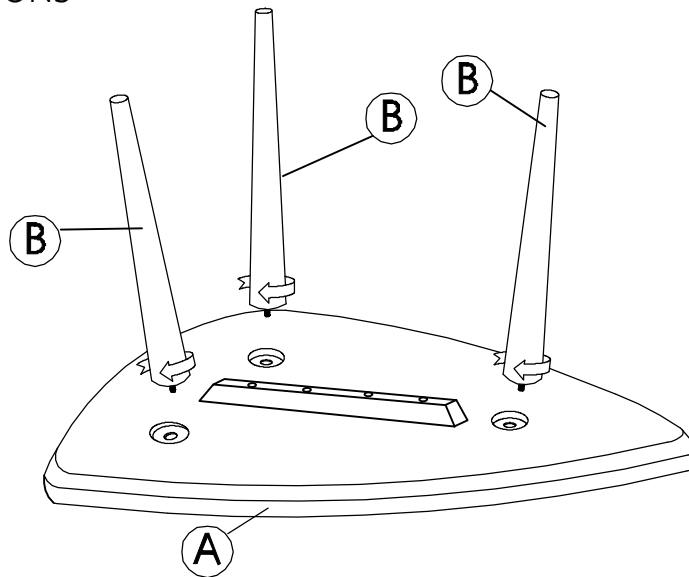
A Table Top
1Pc

B Table Leg
3Pcs



ASSEMBLY INSTRUCTIONS

1 STEP 1



2 STEP 2

