

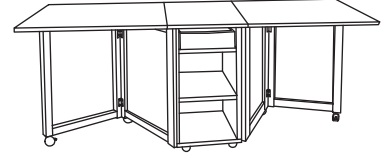
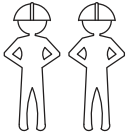
### TIPS

- 1 Please review all parts and hardware before disposing of any packaging.
- 2 Check to be sure that all parts and hardware are complete before you start assembly.
- 3 Before beginning assembly, separate each type of screw.
- 4 Using a screw that is too long will cause damage.
- 5 Carefully study the screw diagrams below.
- 6 You may receive extra hardware with your unit.
- 7 Place all parts on a clean and smooth surface to avoid the parts from being scratched.
- 8 Keep the product away from heat and humidity.
- 9 Light blue stains and natural wood knots on the product are not considered defects.

Scan Me For Step-By-Step  
Real Photo Assembly Instructions

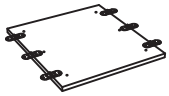


Required :  
35 minutes



### PART LIST

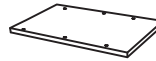
**A** Table Top (Center)  
1Pc



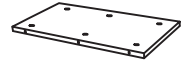
**B** Table Top (Side)  
2Pcs



**C** Bottom Panel  
1Pc



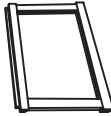
**D** Shelf Panel  
2Pcs



**E** Side Panel (Left)  
1Set



**F** Side Panel (Right)  
1Set



**G** Box  
1Pc



**H** Box Bottom Panel  
1Pc



### HARDWARE LIST

**I** Minifix Cam  
18Pcs



**J** Minifix Bolt  
18Pcs



**K** JCBC Screw M6 x 35mm  
6Pcs



**L** Wood Dowel M8 x 25mm  
2Pcs



**M** CSK c/b Screw M3.5x 16mm  
34Pcs



**N** Castor (Plate) with stopper  
4Pcs



**O** Socket for castor  
4Pcs



**P** Castor (Socket) with stopper  
4Pcs

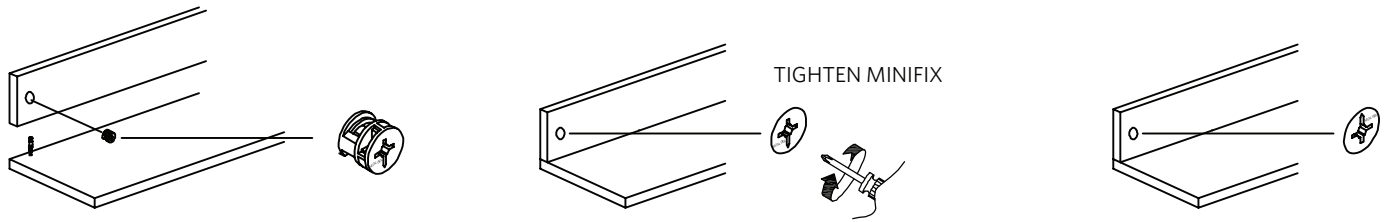


**Q** Allen Key M4  
1Pc



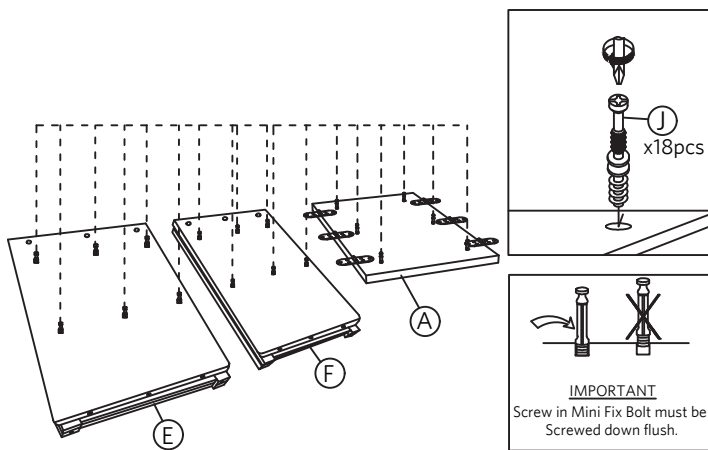
**ATTENTION :**

MINIFIX MUST BE USED IN THE CORRECT WAY :

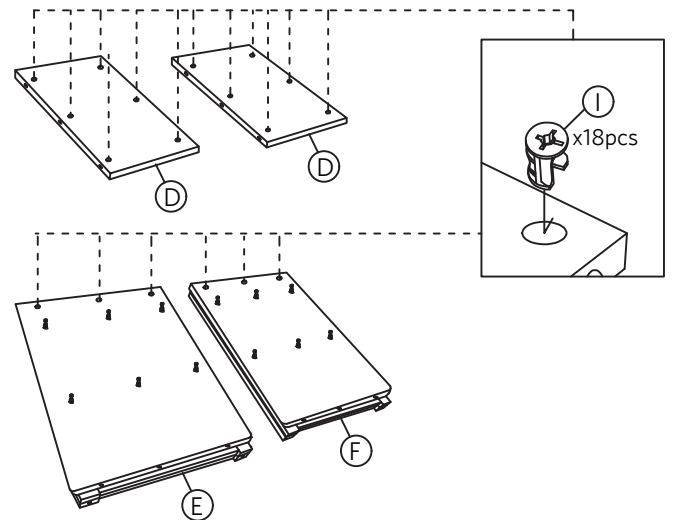


**ASSEMBLY INSTRUCTIONS**

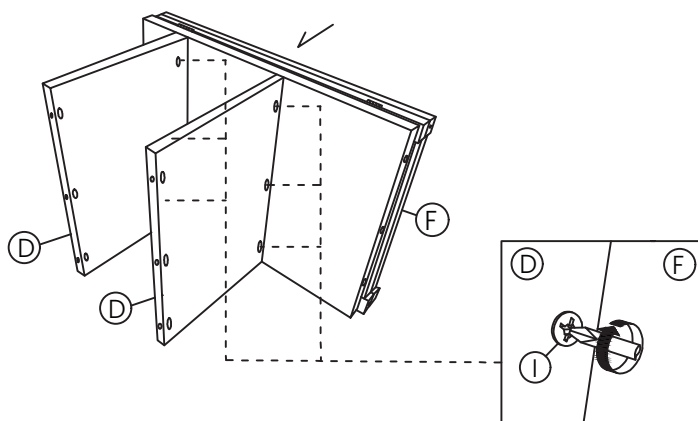
**1 STEP 1**



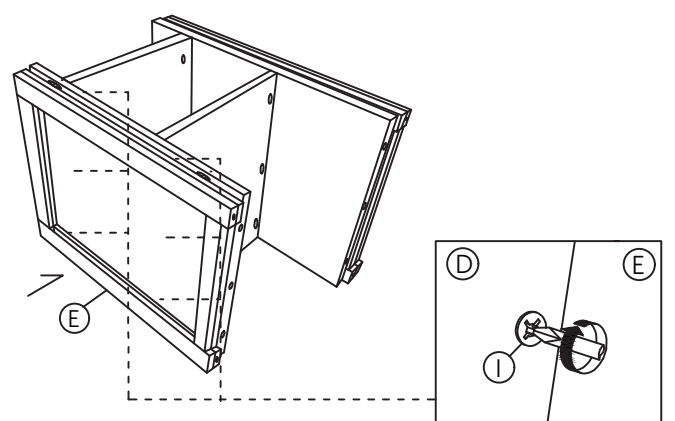
**2 STEP 2**



**3 STEP 3**

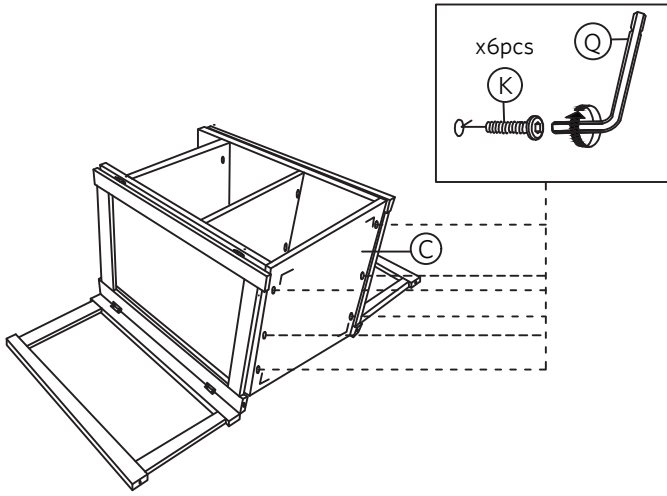


**4 STEP 4**

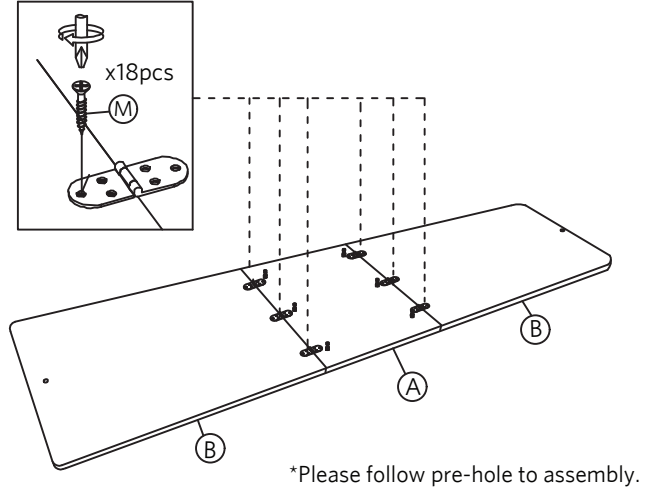


ASSEMBLY INSTRUCTIONS

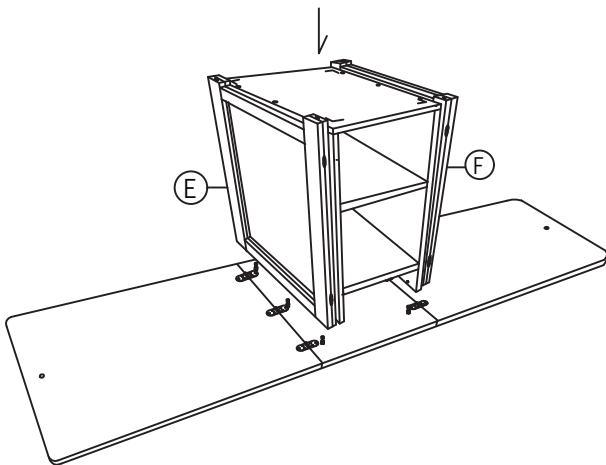
5 STEP 5



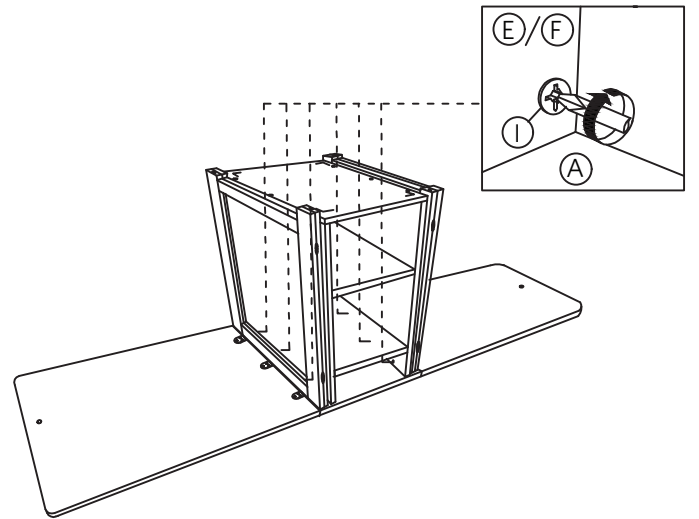
6 STEP 6



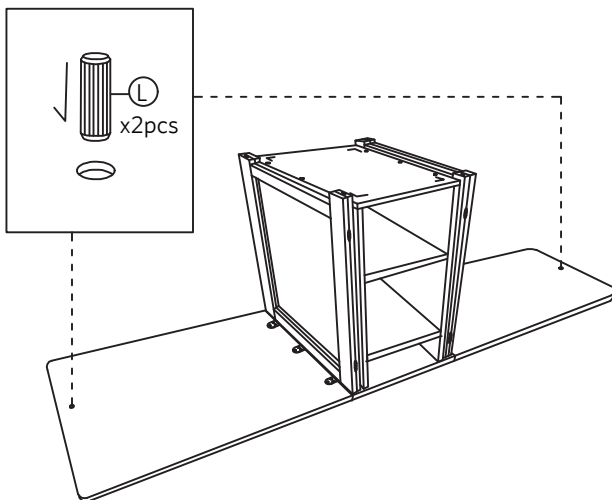
7 STEP 7



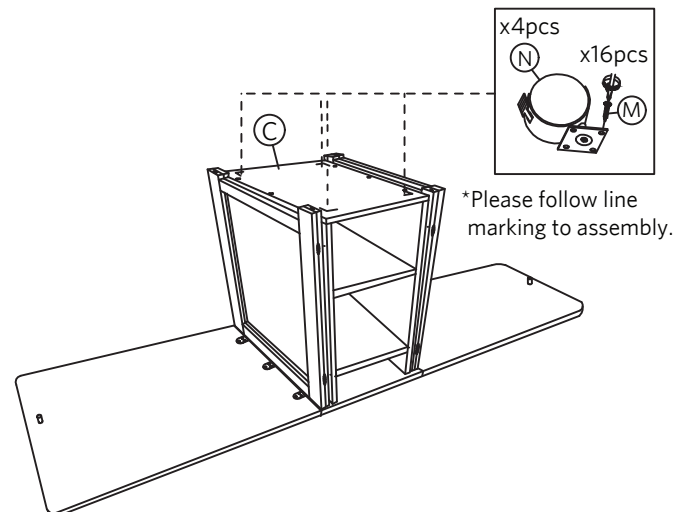
8 STEP 8



9 STEP 9

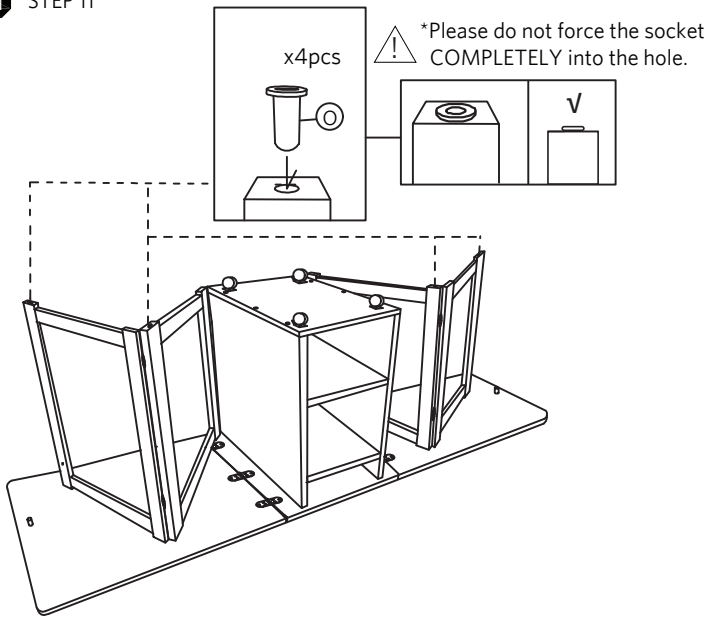


10 STEP 10

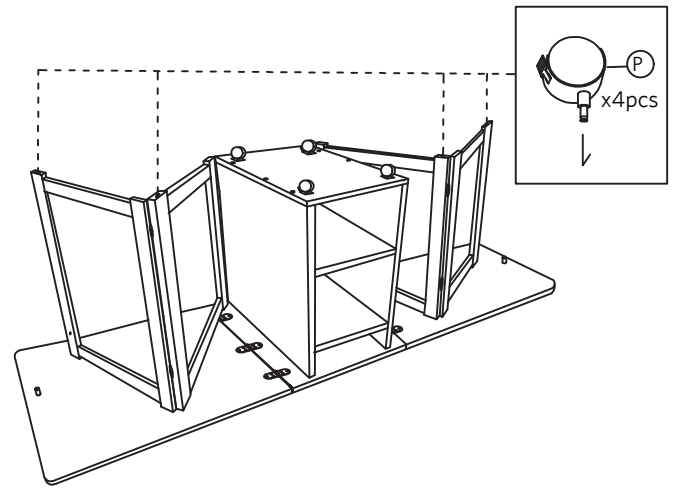


ASSEMBLY INSTRUCTIONS

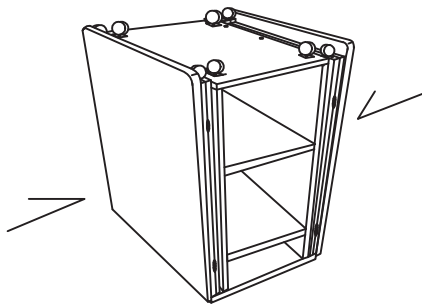
11 STEP 11



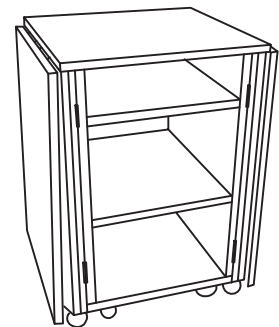
12 STEP 12



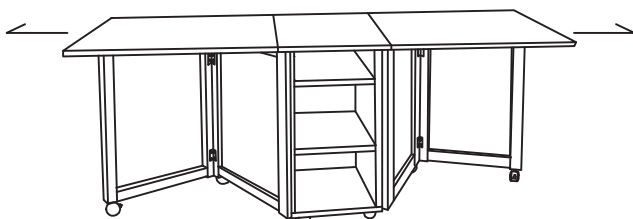
13 STEP 13



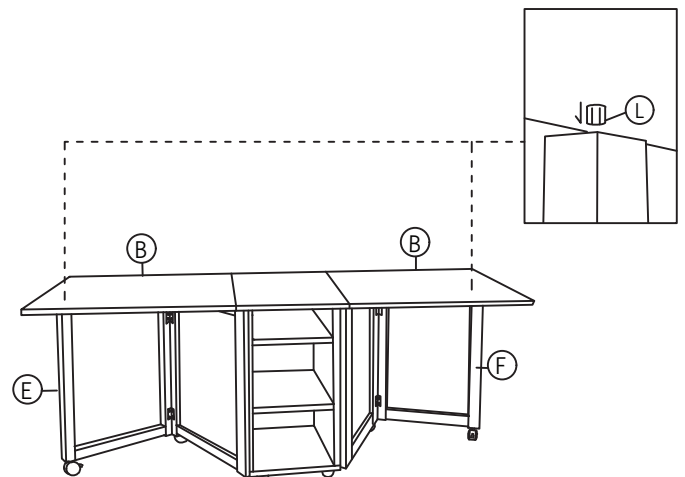
14 STEP 14



15 STEP 15

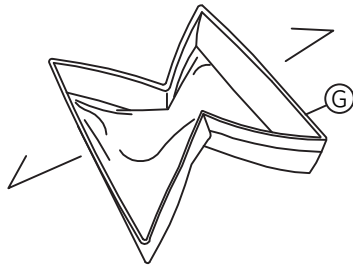


16 STEP 16

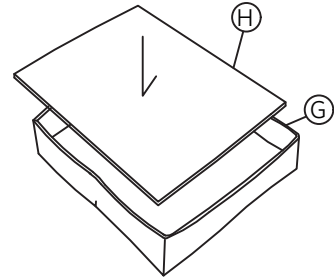


ASSEMBLY INSTRUCTIONS

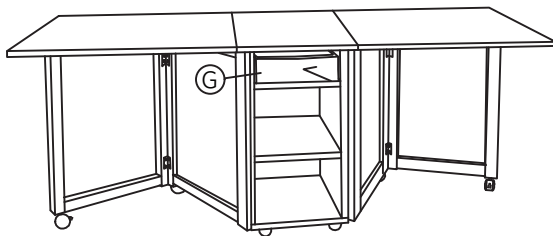
17 STEP 17



18 STEP 18



19 STEP 19



20 STEP 20

