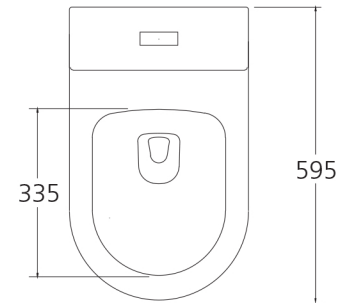
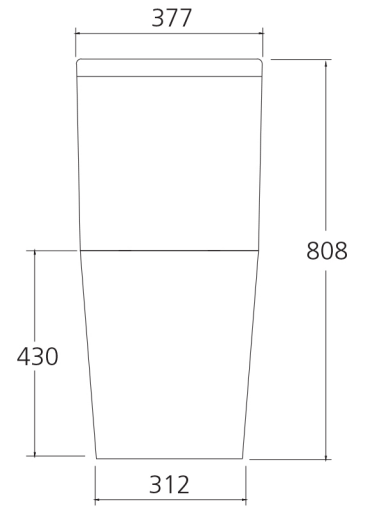


Vienna

VI600CHA (Pan: VI600CHA-P / Cistern: VI600CHA-C / Seat: VI600CHA-ST)



All dimensions in mm

Specifications /

WELs Rating	4 star, 3.4L avg flush volume (4.5/3.1L)
Pan	Rimless/Easy-clean design
Traps	Universal (S or P Trap)
Set outs	S-trap set out 75mm - 155mm as standard. P-trap set out 180mm floor to centre of outlet. Optional S-trap set out 155mm - 205mm (SPB0201)
Inlet	Bottom or back inlet
Cistern	WDI dual flush valve (4.5L/3.1L)
Fixing	The cistern is fixed directly to the pan with a robust concealed base fixing
Seat	Soft close and quick release toilet seat is provided as standard. Compression moulded toilet seat, fitted with buffers and metal hinges.
Colour	White
Installation	The installation of the toilet suite shall be in accordance with the normal minimum drain line grade requirements in AS/NZS 3500.2.
Materials	Vitreous china
Weight	Pan: 37kg, Cistern: 14kg
Parts list	UF toilet seat, WDI double flushing valve, square button, standard pipe.
Warranty	20 years vitreous china cistern and pan replacement of product; 5 years replacement seat; 2 years valves and fittings; 1 year seals and labour (refer to Service & Warranty page)
Maintenance and care instructions	All surfaces should be cleaned with mild liquid detergent or soap and water. Do not use cream cleaners or citrus based cleaning products, as they are abrasive. Use of unsuitable cleaning agents may damage the surface. Any damage caused in this way will not be covered by warranty.