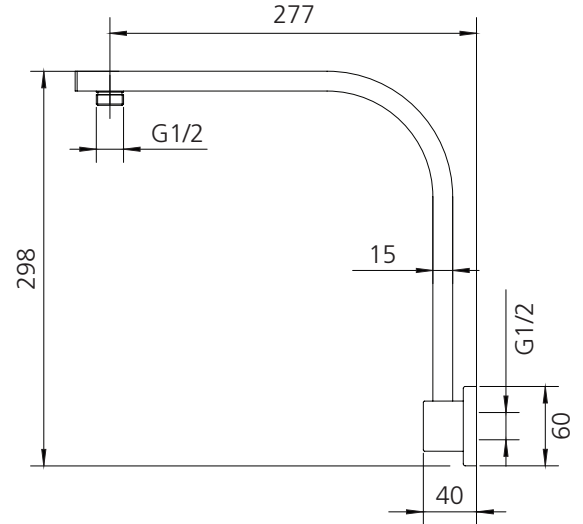


Monaco

MO0009MB

Matte Black Raised Wall Mounted Shower Arm

All dimensions in mm



Specifications /

WELs rating	NA
Temperature rating (min / max)	1°C - 65°C
Pressure rating (min / max)	150 kPa - 500 kPa
Finish	Matte black (powder coated)
Materials	Brass
Water supply	Mains
Connections	G 1/2 Female
Mounting methods	Wall mounted
Product weight	0.81kg
Parts List	Shower arm x1, flange x1
Warranty	5 years replacement parts and finish; 1 year labour (refer to oliveri.com.au)
Maintenance and care instructions	All surfaces should be cleaned with mild liquid detergent or soap and water. Do not use cream cleaners or citrus based cleaning products, as they are abrasive. Use of unsuitable cleaning agents may damage the surface. Any damage caused in this way will not be covered by warranty.