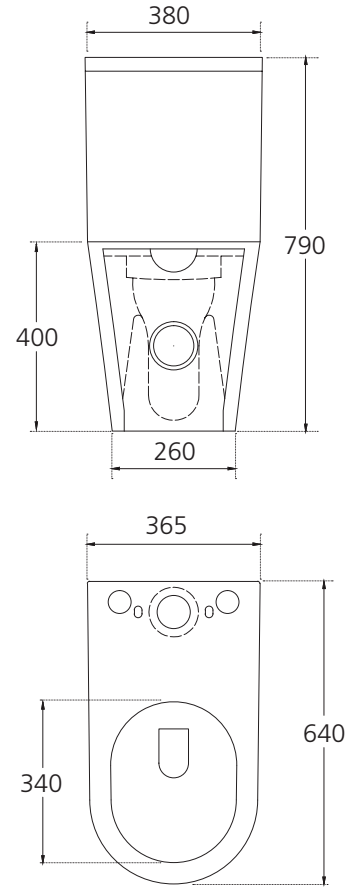


# Dublin

**DU1343** (Pan: DU1343BT / Cistern: DU1343BW / Seat: DU1343BST)  
Back To Wall Toilet Suite



All dimensions in mm

## Specifications /

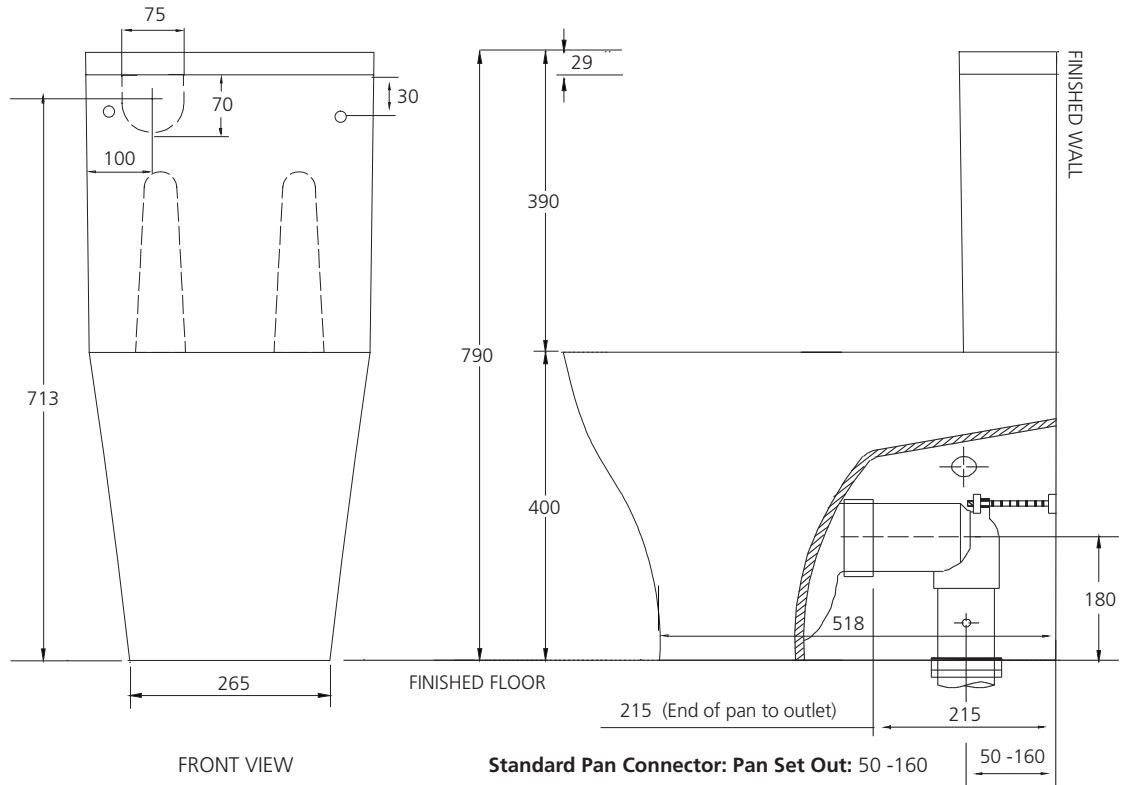
<b>WELs Rating</b>	4 star, 3.5L avg flush volume (4.5/3L)
<b>Pan</b>	Rimless/Easy-clean design
<b>Traps</b>	Universal (S or P Trap)
<b>Set outs</b>	S-trap set out 50mm - 160mm as standard. P-trap set out 185mm floor to centre of outlet. Optional S-trap set out 150mm - 245mm (SPB0201)
<b>Inlet</b>	Bottom or back inlet
<b>Cistern</b>	Geberit dual flush valve (4.5L/3L)
<b>Fixing</b>	The cistern is fixed directly to the pan with a robust concealed base fixing system without the need for wall fixing.
<b>Seat</b>	Soft close and quick release toilet seat is provided as standard. Compression moulded toilet seat, fitted with buffers and metal hinges.
<b>Colours</b>	White
<b>Installation</b>	The installation of the toilet suite shall be in accordance with the normal minimum drain line grade requirements in AS/NZS 3500.2.
<b>Materials</b>	Vitreous china
<b>Weight</b>	48.0kg
<b>Parts list</b>	Cover cap, inlet valve, flush valve, rubber ring, brass bolt set connected with cistern and pan, supply hose, bung for bottom entry in cistern, hose, push button, standard pipe, round seat cover, hinge, decorative cover, s-trap connector, seal ring, fixing plate, fixing screw, floor fixing screw
<b>Warranty</b>	20 years vitreous china cistern and pan replacement of product; 5 years replacement seat; 2 years valves and fittings; 1 year seals and labour (refer to oliveri.com.au)
<b>Maintenance and care instructions</b>	All surfaces should be cleaned with mild liquid detergent or soap and water. Do not use cream cleaners or citrus based cleaning products, as they are abrasive. Use of unsuitable cleaning agents may damage the surface. Any damage caused in this way will not be covered by warranty.

# Dublin

## SET OUT DRAWING

All dimensions in mm

**DU1343** (Pan: DU1343BT / Cistern: DU1343BW / Seat: DU1343BST)  
Back To Wall Toilet Suite



## OPTIONAL SET OUT DRAWING

