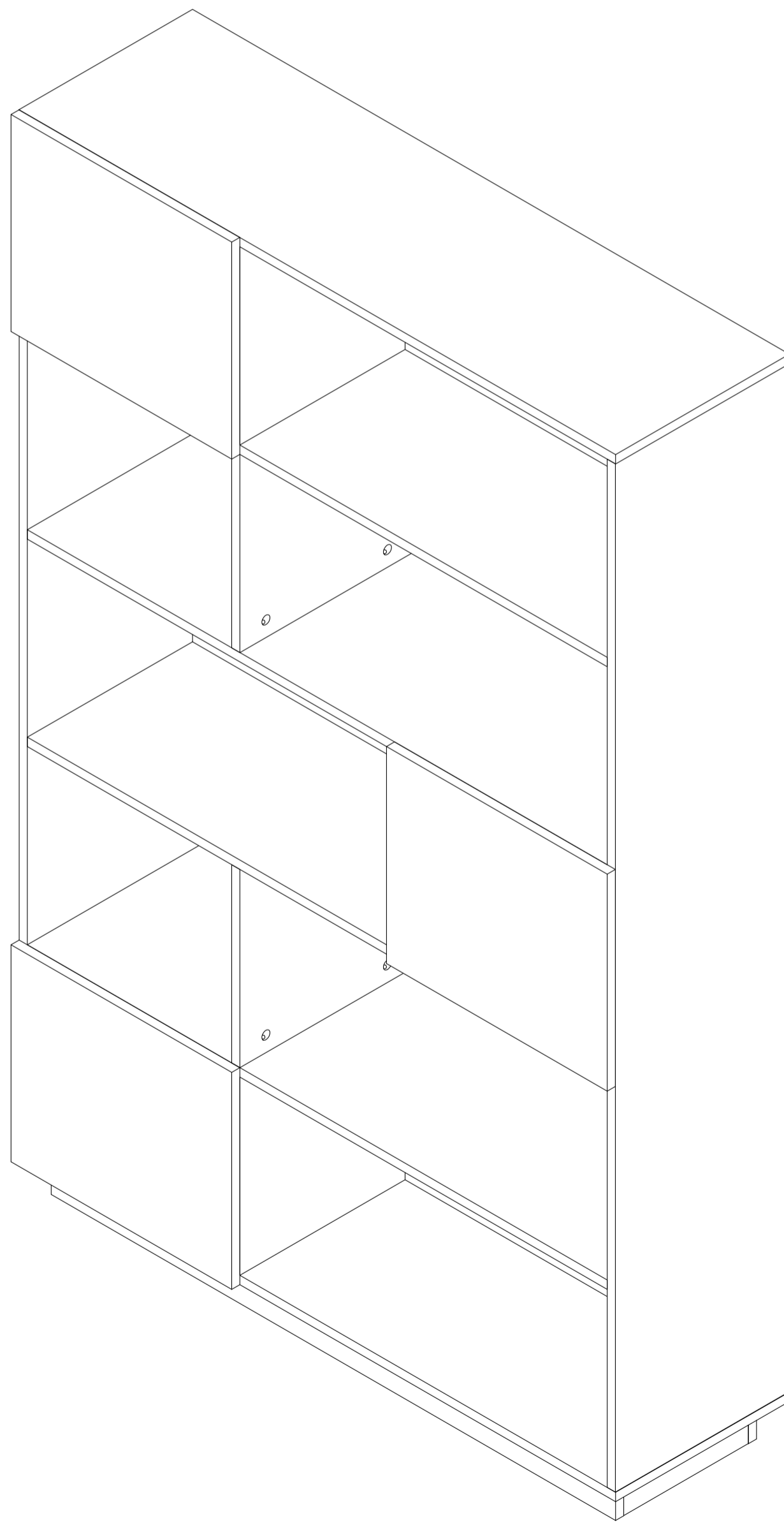


ALL 4 KIDS

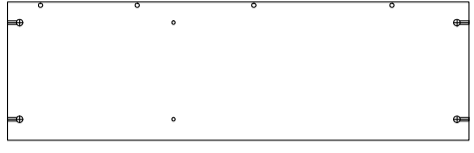
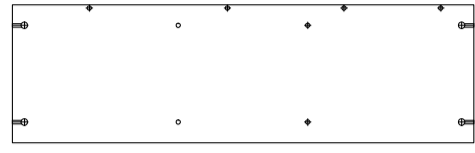
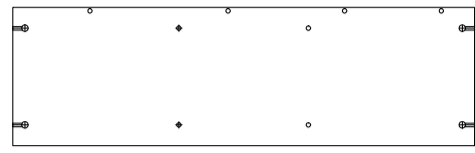
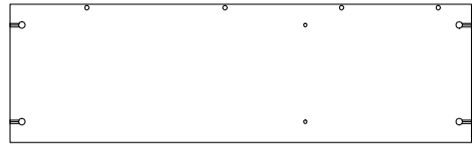
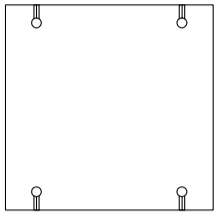
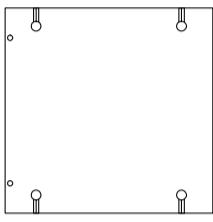
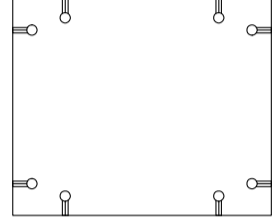
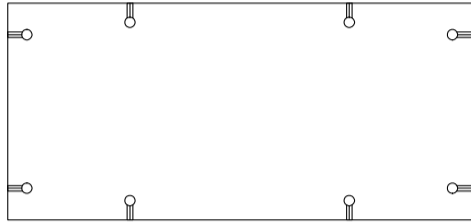
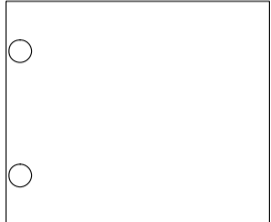
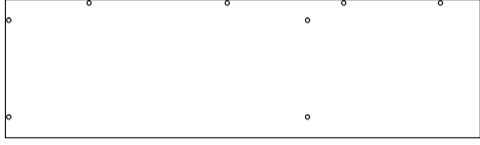
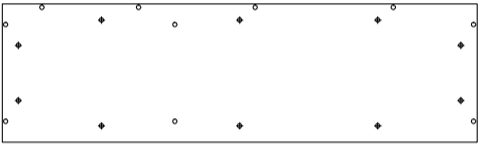
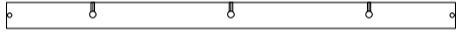

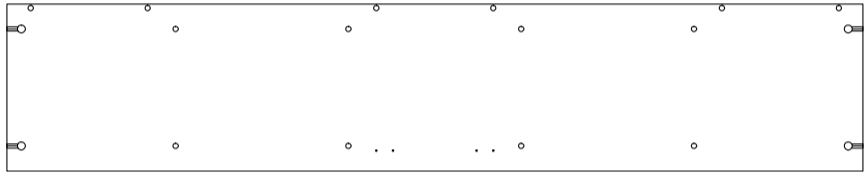
Noah Bookcase - Large

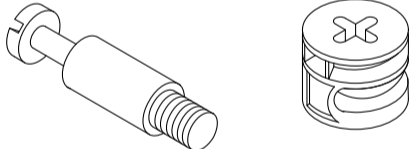
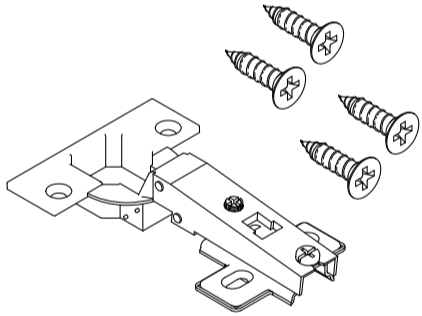
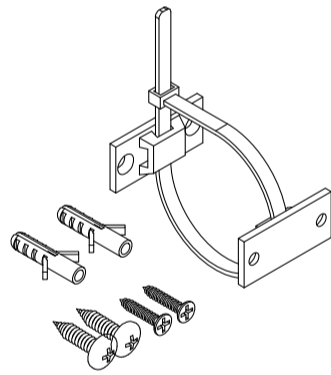
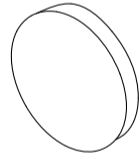
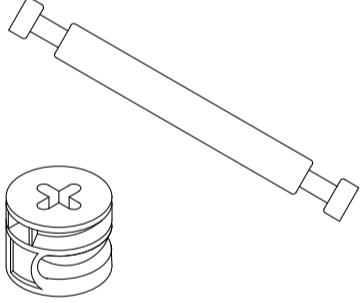
It may take 2 - 4 hours for this assembly based on normal knowledge.
Please prepare parts on a soft blanket against scratch and damage.
The best helper is your patience, thanks for our developing teams hundreds of hours on DIY design.

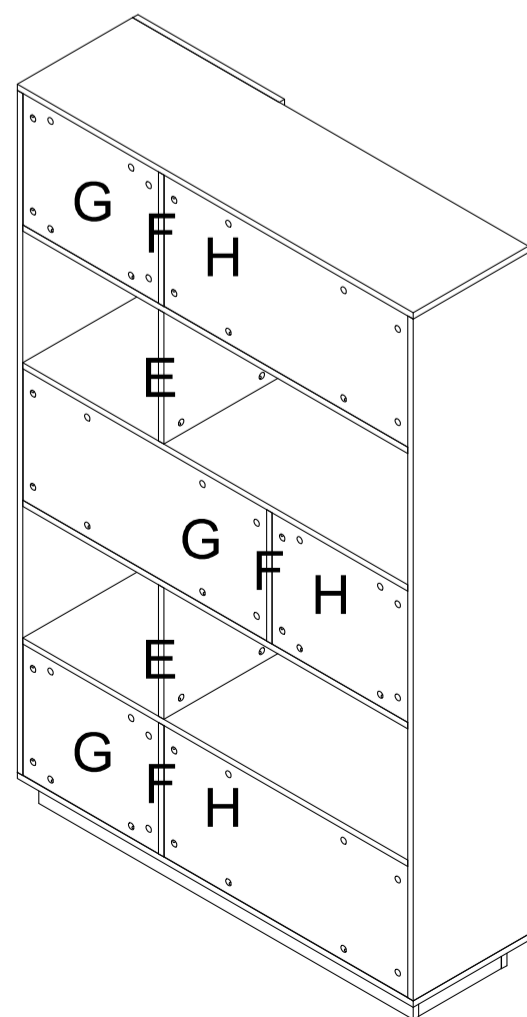
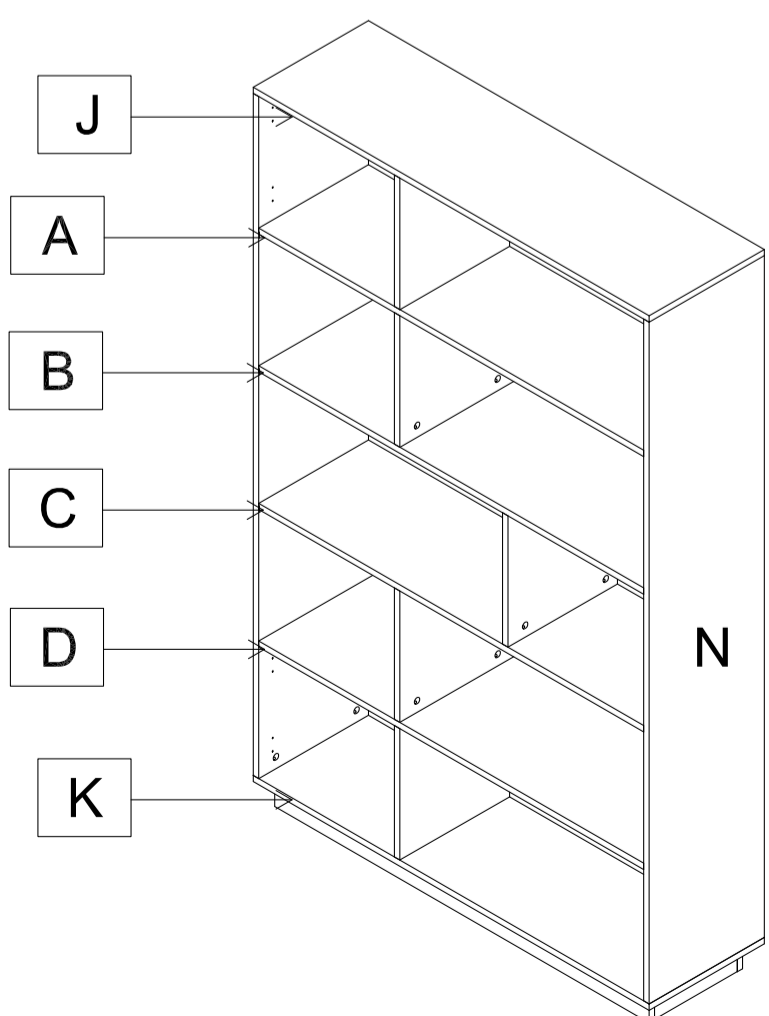


ALL THE PARTS ARE AS BELOW

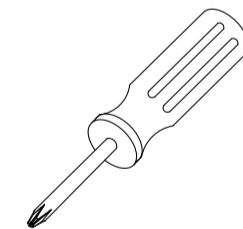
Please check all hardware and accessories and feel free to contact us if you have any questions.

A	B	C	D	E
				
Middle board - I	Middle board - II	Middle board - III	Middle board - IV	Central upright panel-I
1PC	1PC	1PC	1PC	2PCS
F	G	H	I	J
				
Central upright panel-II	Backboard - II	Backboard - II	Door	Top Panel
3PCS	3PCS	3PCS	2PCS	1PC
K	L	M	N	
				
Bottom Panel	Long leg board	Long leg board	Side boards	
1PC	2PCS	2PCS	2PCS	

1	2	3	4	5
				
86PCS	6PCS / 24PCS	2PCS	112PCS	10PCS / 20PCS



Tools Needed
(not included)
Outils requis
(non inclus)



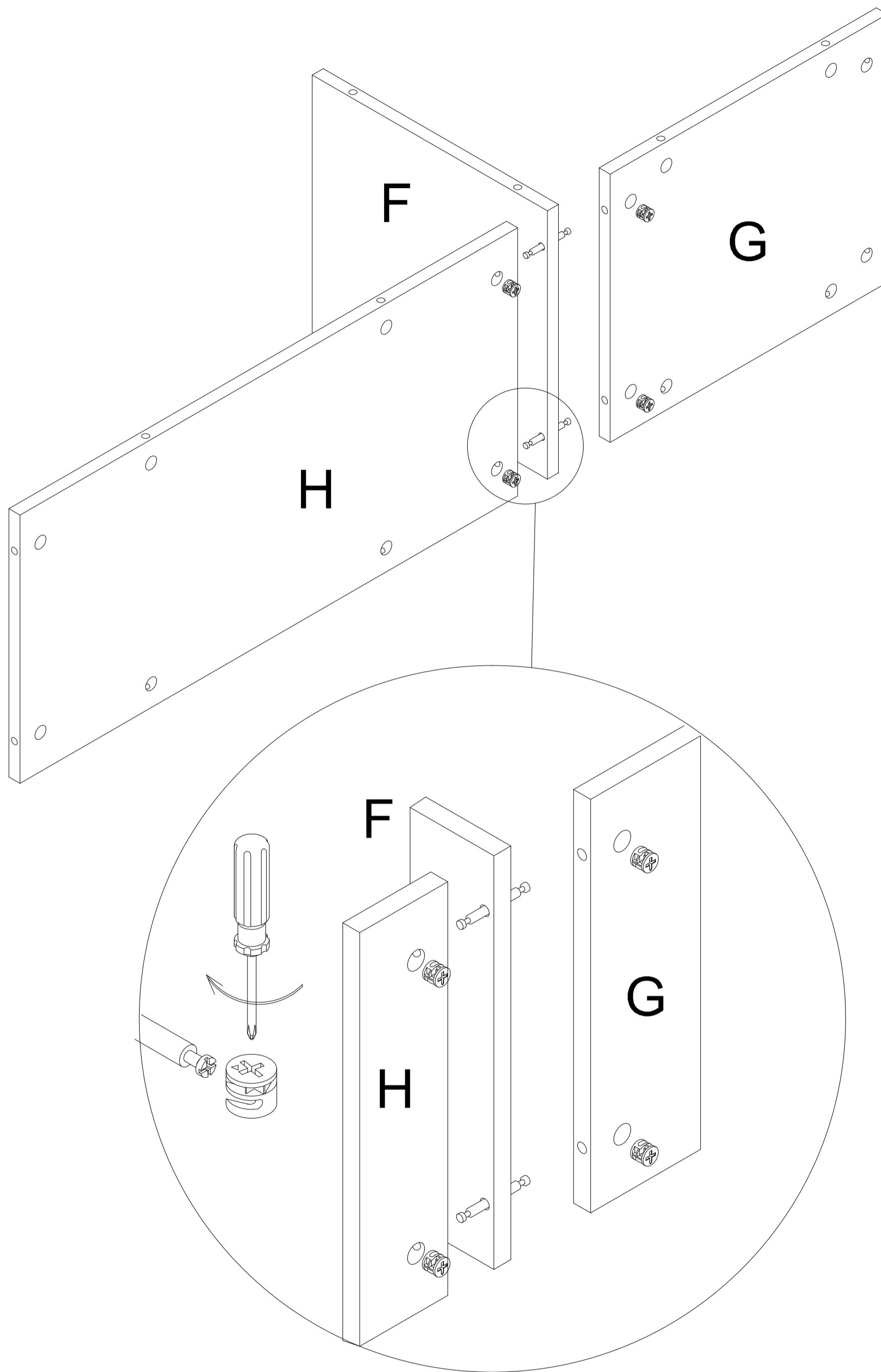
Phillips
screwdriver
Tournevis
cruciforme

Congratulations on purchasing an ALL 4 KIDS product. This product will provide many years of service if you adhere to the following guidelines for assembly, maintenance, and operation. This product is for residential use only. Any institutional use is strictly prohibited. Please be sure to follow the instructions for proper assembly. Use a Phillips head screwdriver for assembling the product in addition to the Allen wrench included in the hardware box. Do not use power screwdrivers.

DO NOT SUBSTITUTE PARTS. ALL MODELS HAVE THE SAME QUANTITY OF PARTS AND HARDWARE. YOUR MODEL MAY LOOK DIFFERENT FROM THE ONE ILLUSTRATED DUE TO STYLISTIC VARIATIONS.

Step 1.

Assembled backboard. With hardware "5", link parts "F", "H", "G".
(Tighten both sides of the hardware "5" at the same time.)



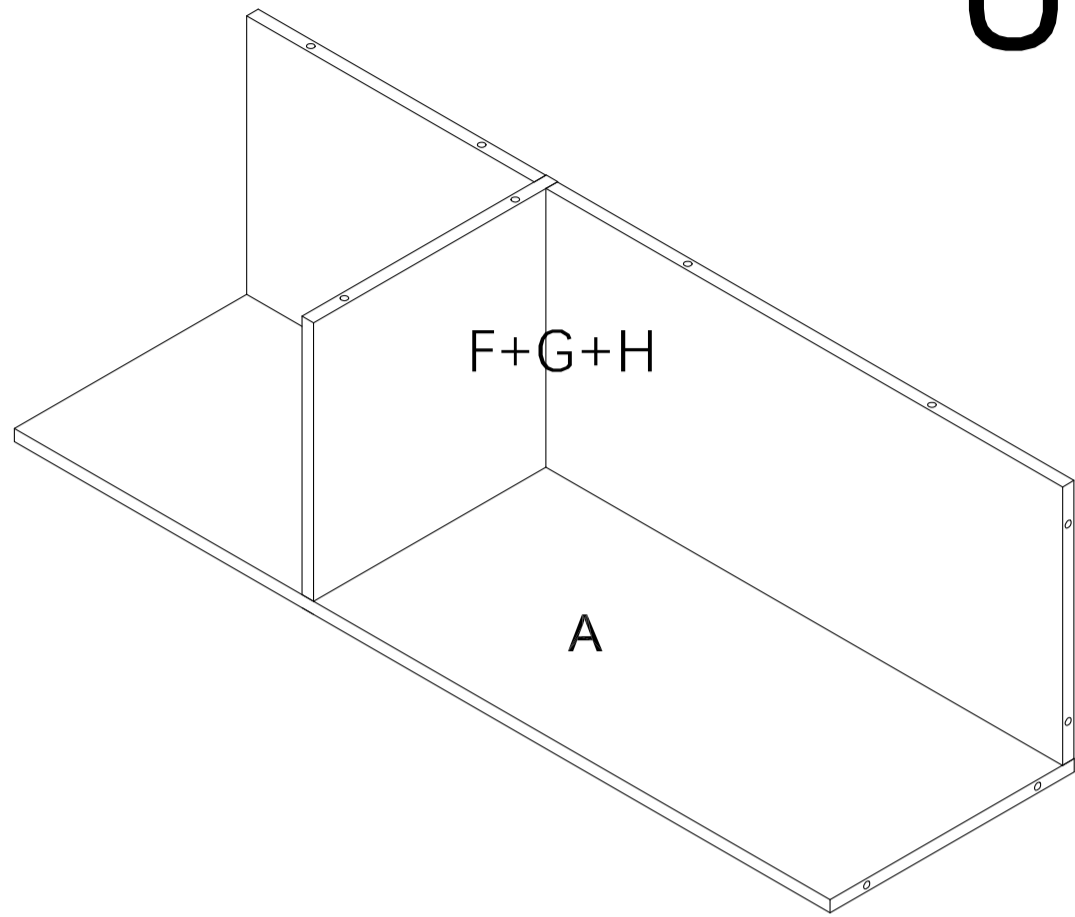
F	
Central upright panel-II 3PCS	
G	
Backboard - II 3PCS	
H	
Backboard - II 3PCS	
5	
6PCS / 3PCS	

F+G+H=3PCS

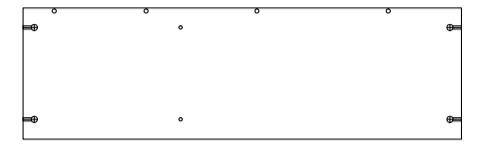
Step 2.

Assemble the backboard and middle board with "1" hardware.

Upper part

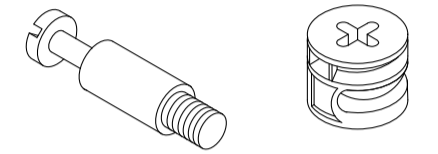


A



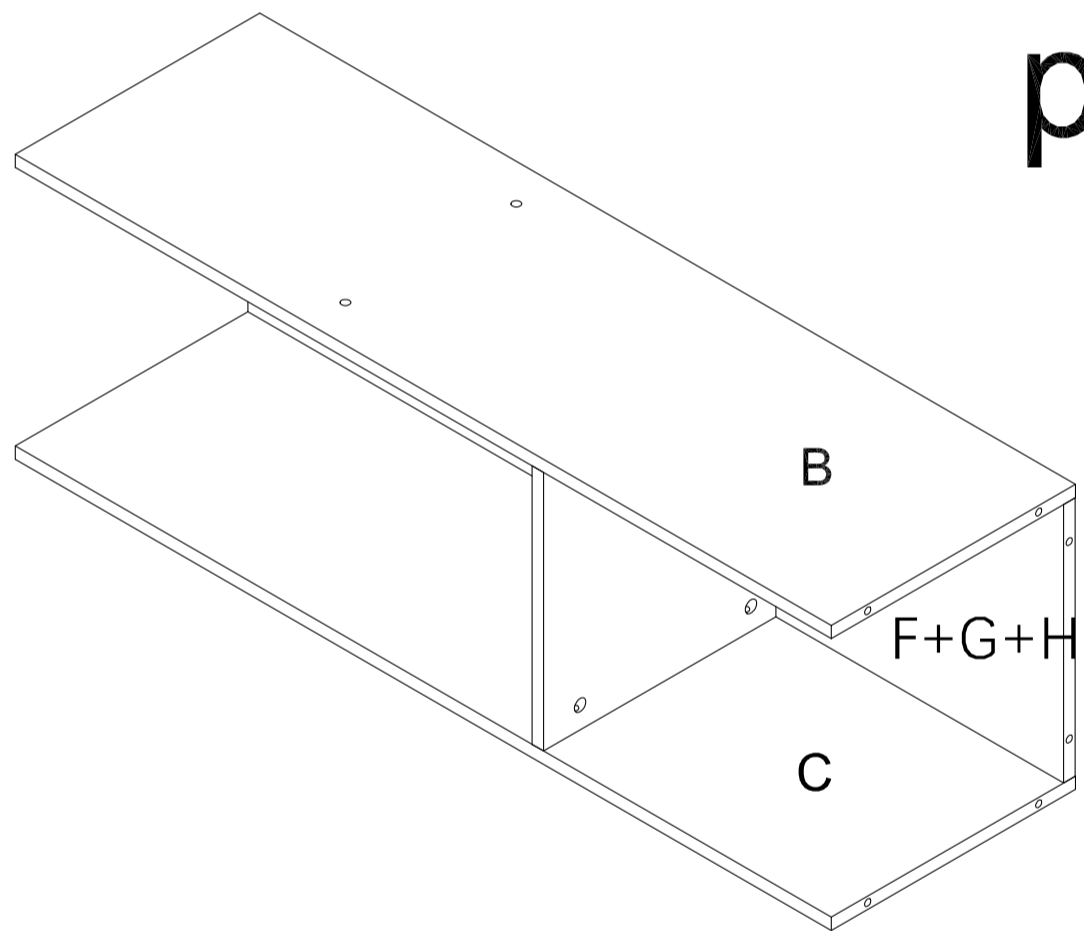
Middle board - I

1

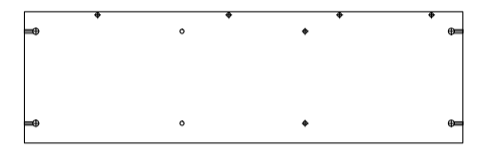


4PCS

Intermediate part



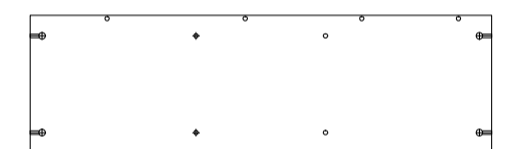
B



Middle board - II

1PC

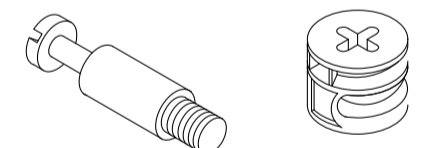
C



Middle board - III

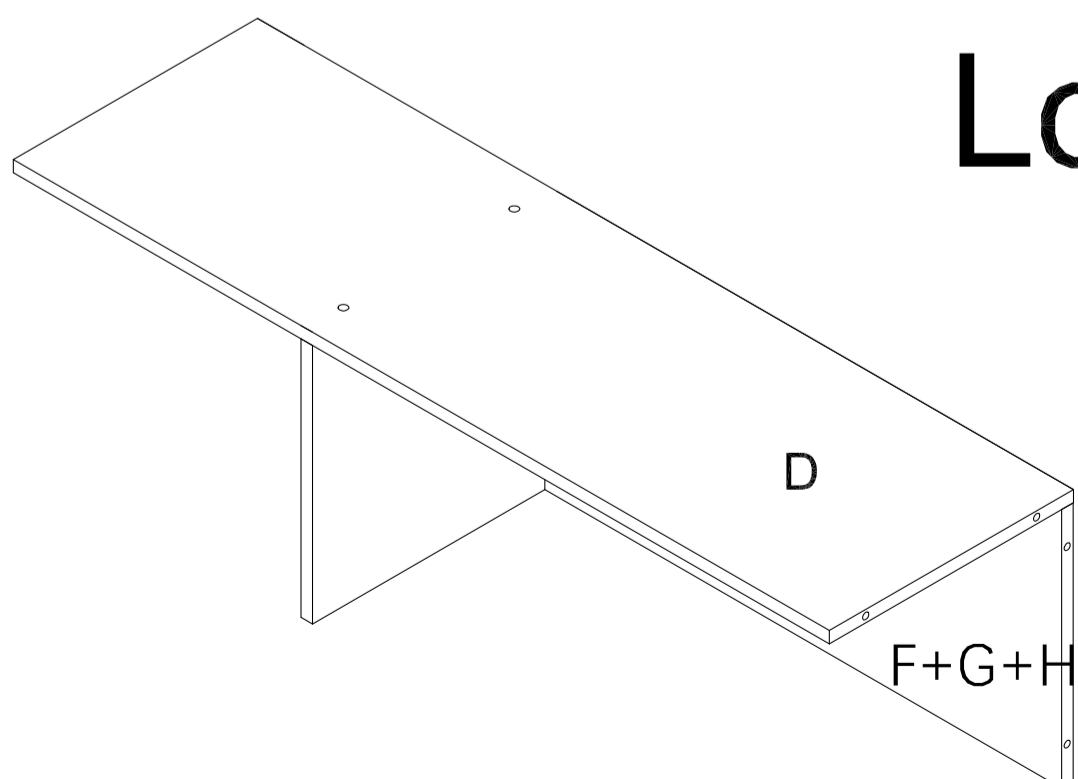
1PC

1

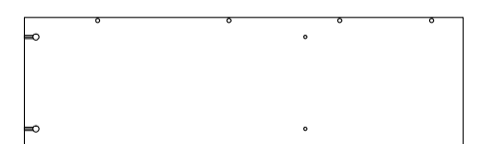


12PCS

Lower part



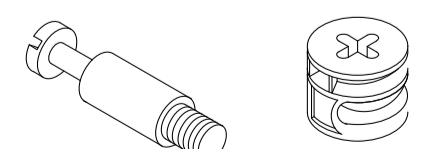
D



Middle board - IV

1PC

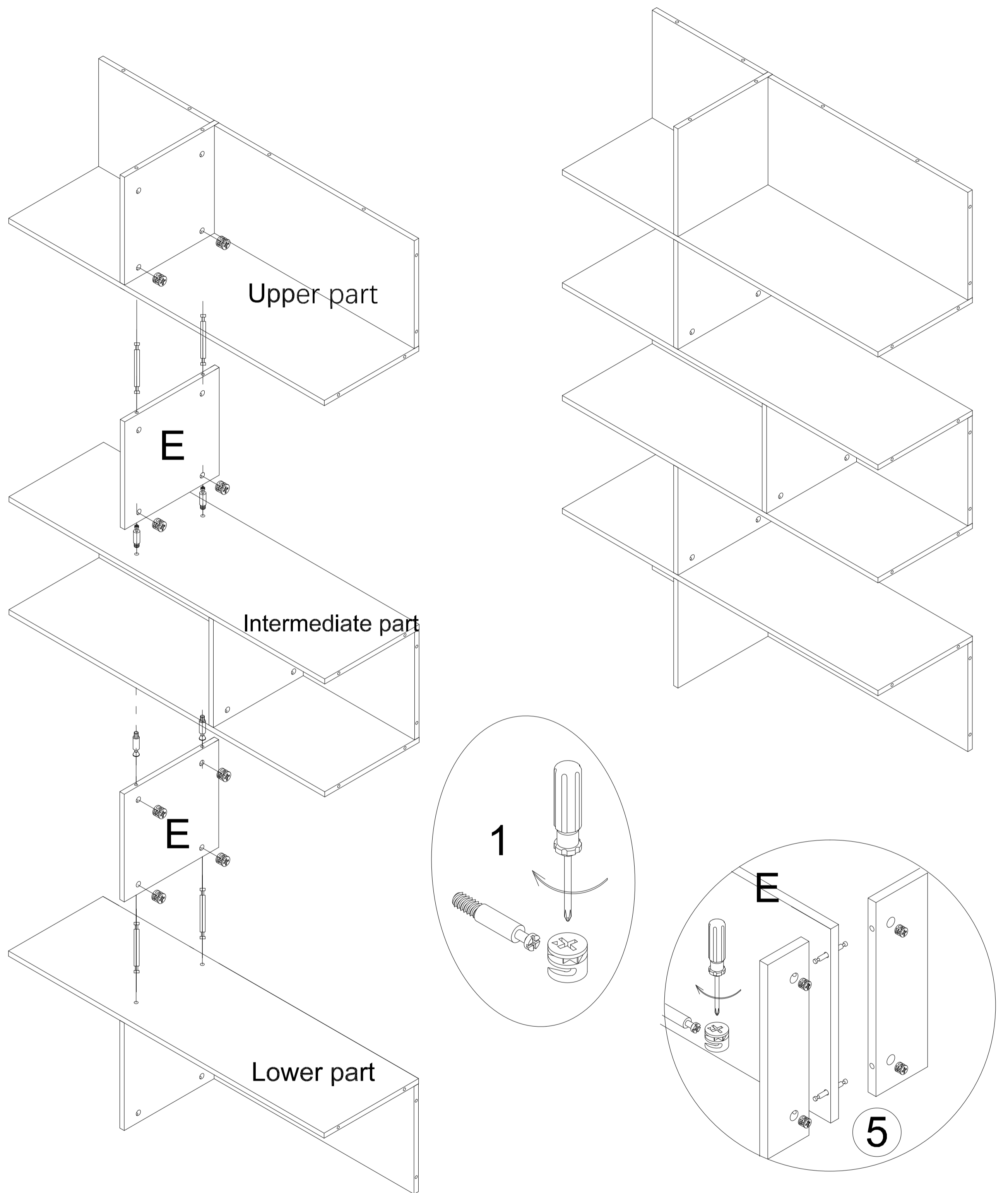
1

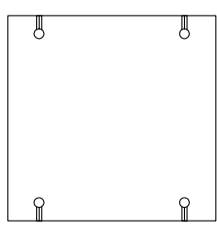
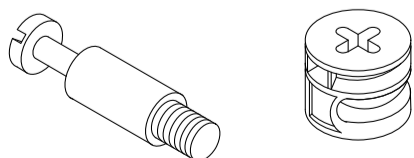
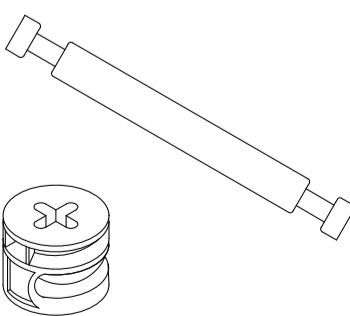


4PCS

Step 3.

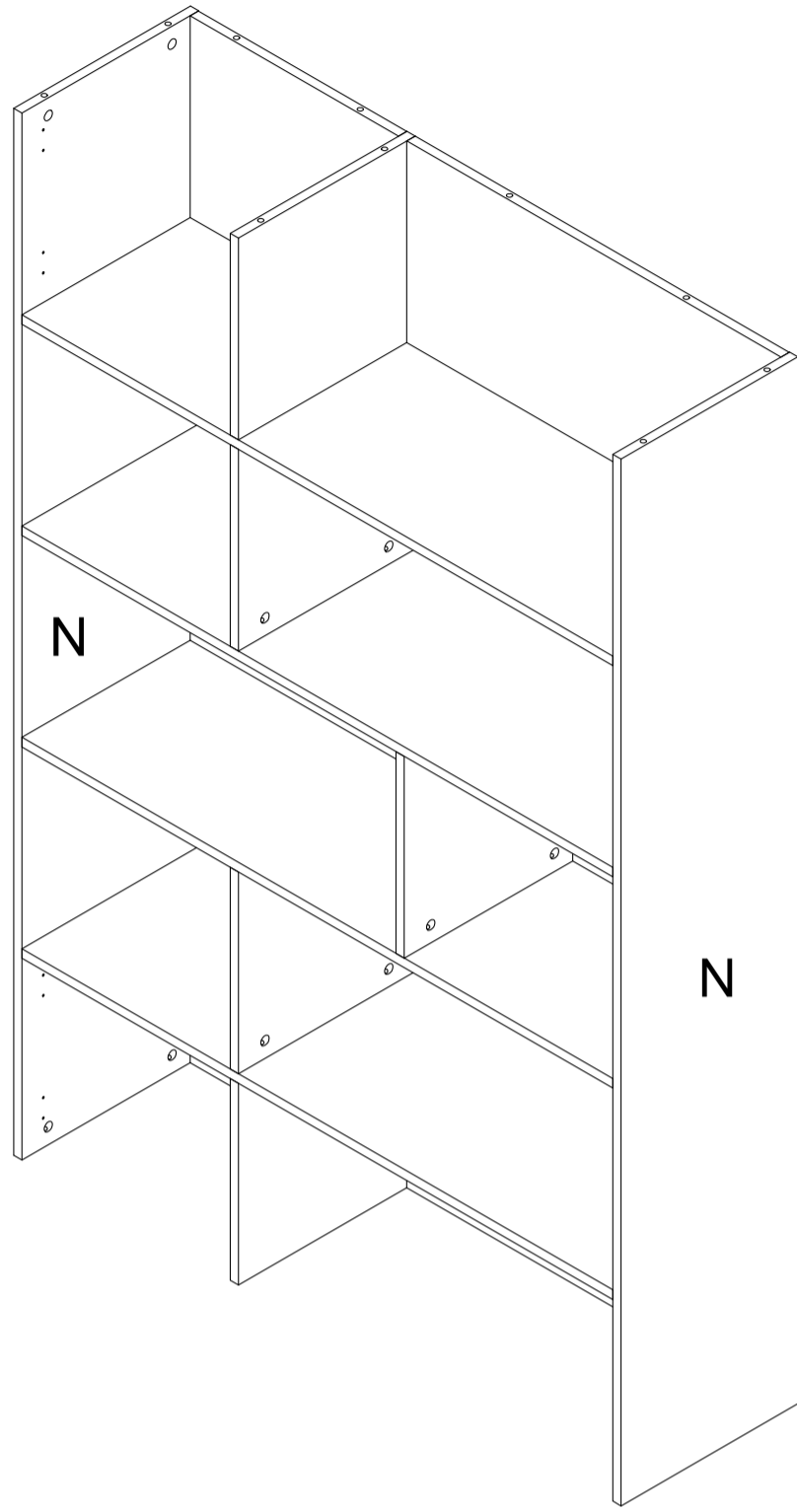
Assemble the cabinet body.
Link all the middle boards with hardware "1" & hardware "5".



<p>E</p> 	<p>1</p> 	<p>5</p> 
<p>Central upright panel-I</p>		
<p>2PCS</p>	<p>4PCS</p>	<p>4PCS / 8PCS</p>

Step 4.

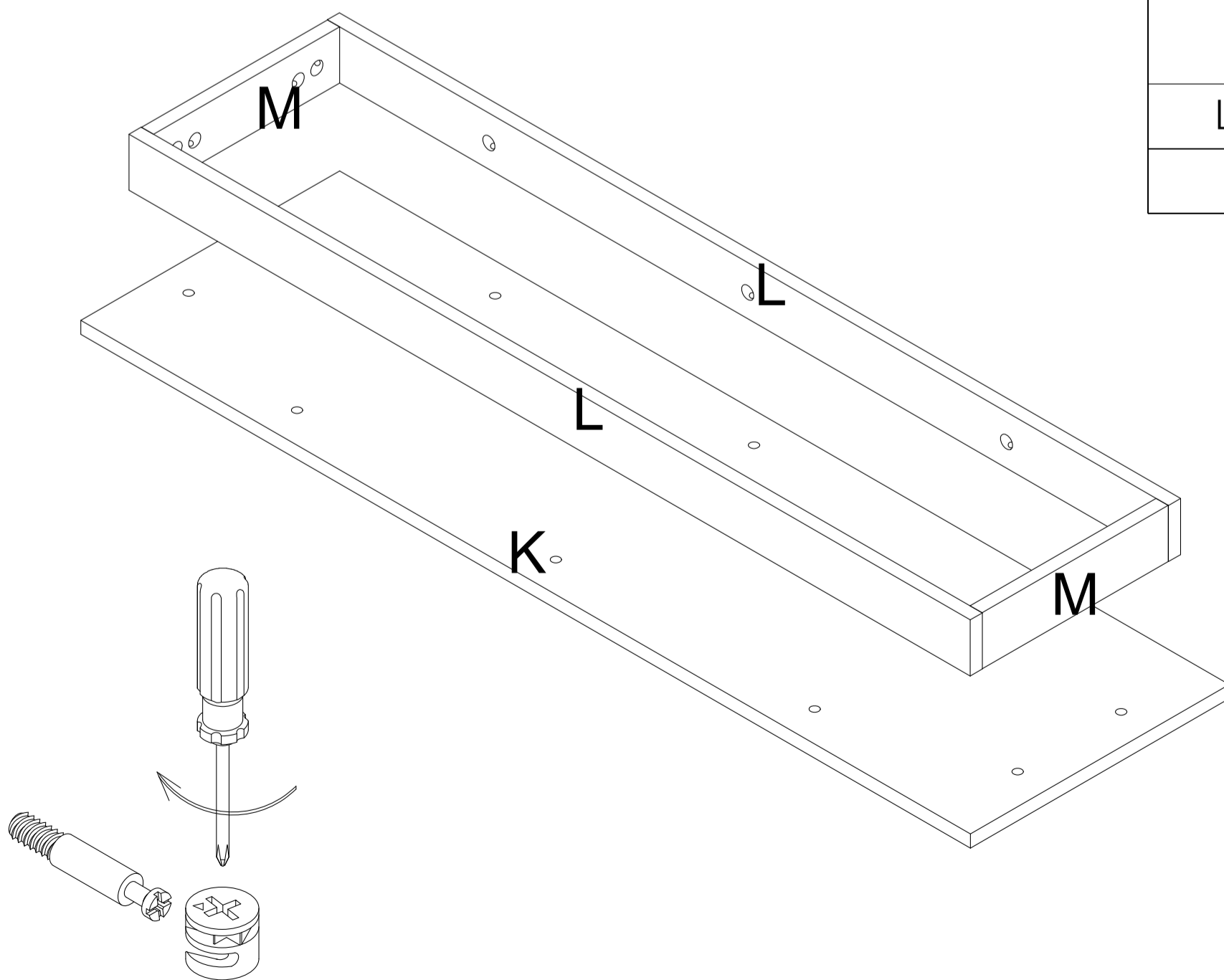
Assemble the side panels,
Link the side panel to the cabinet body with a hardware "1" .



N	
	Side boards 2PCS
1	
	28PCS

Step 5.

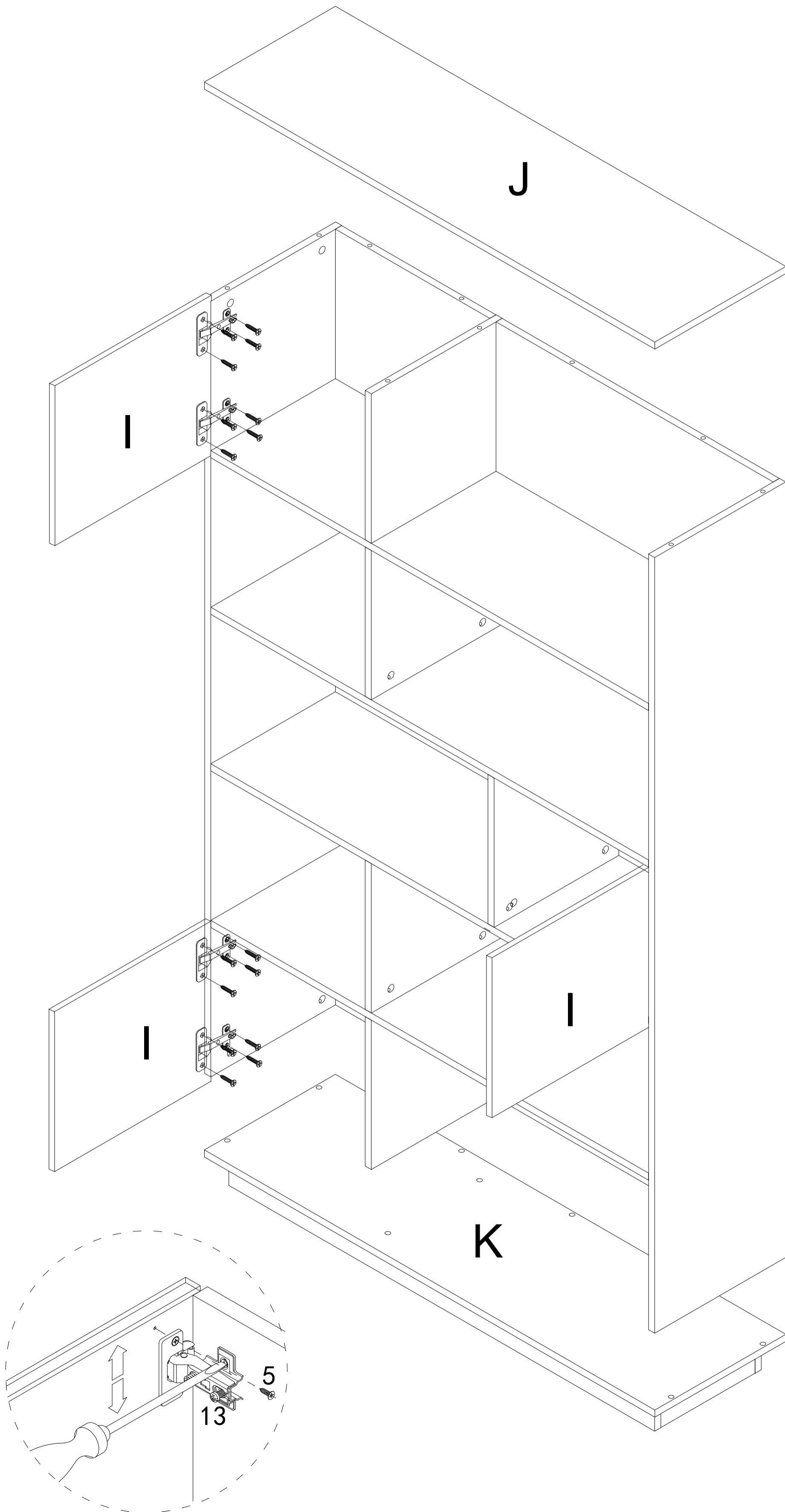
Assemble the base.
First link part "L","M" with "1" hardware, then fasten part "L+M" to "K".


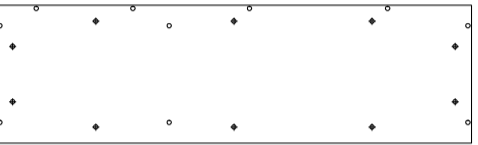
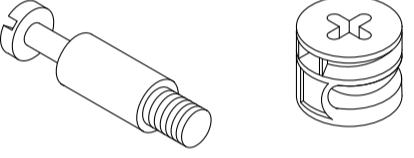
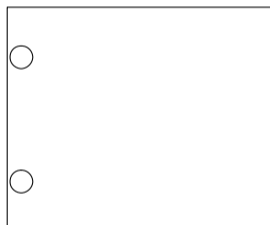
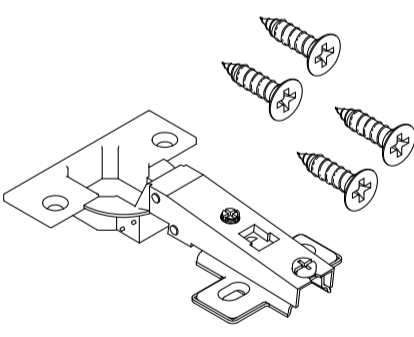


L		M	
	Long leg board 2PCS		Long leg board 2PCS
		K	
			Bottom Panel 1PC
		1	
			14PCS

Step 6.

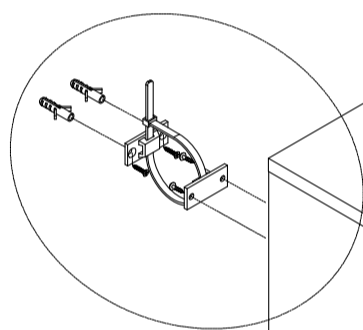
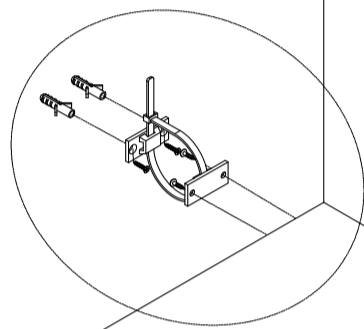
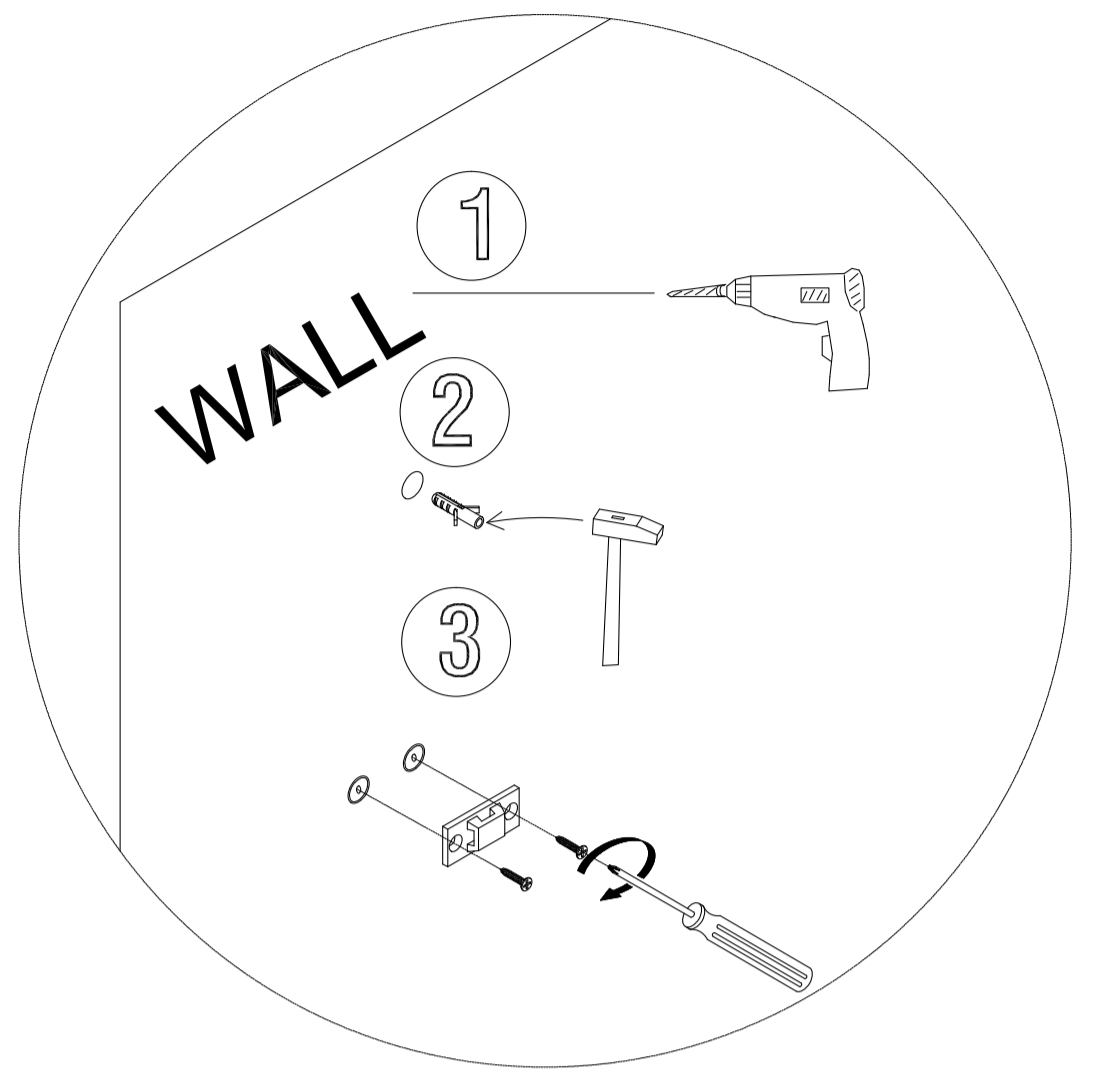
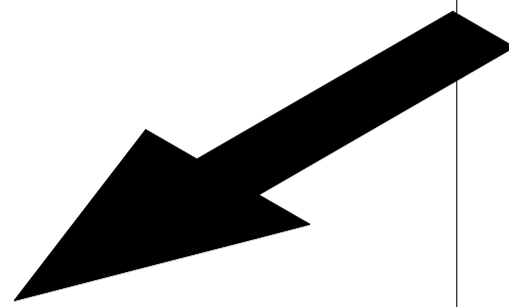
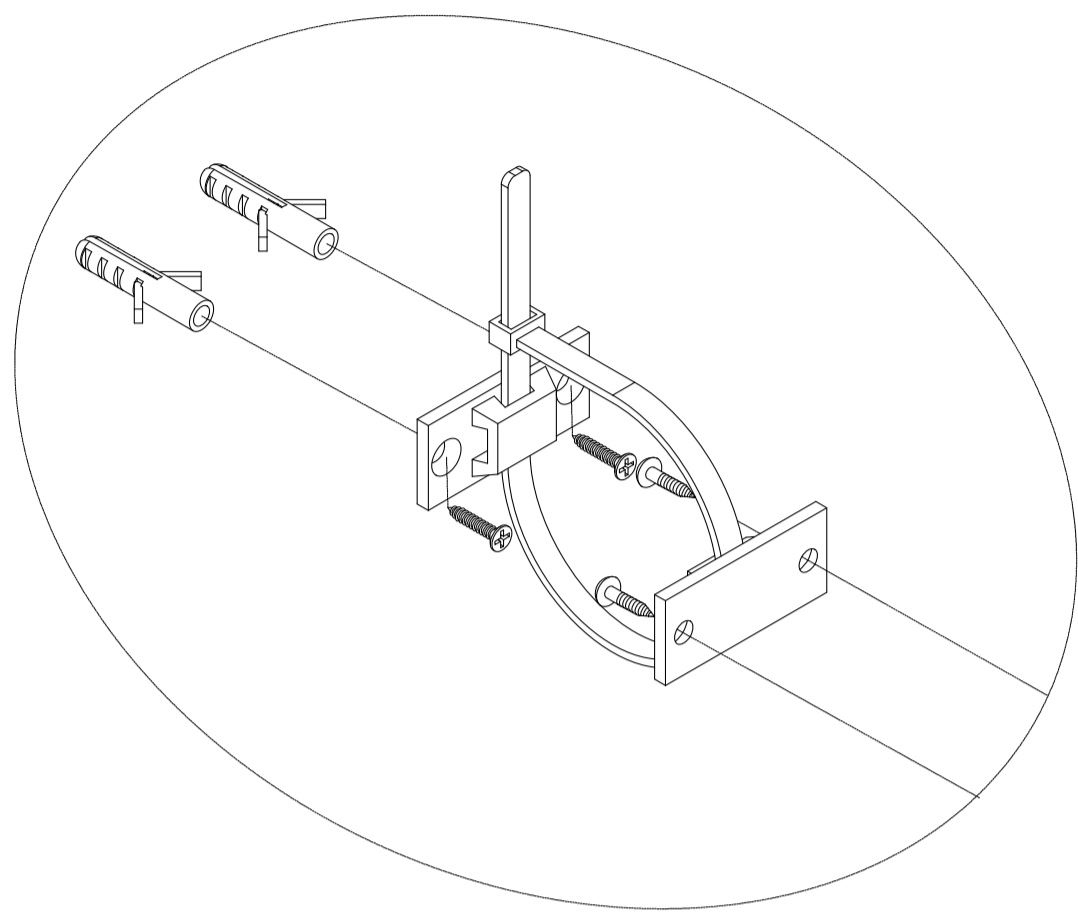
6.1: Assemble top panel and bottom panel.
6.2: Assembled door.



J	
	Top Panel
	1PC
K	
	Bottom Panel
	1PC
1	
	20PCS
I	
	Door
	2PCS
2	
	6PCS / 24PCS

Step 7.

Please fasten the furniture to the wall !!



WALL

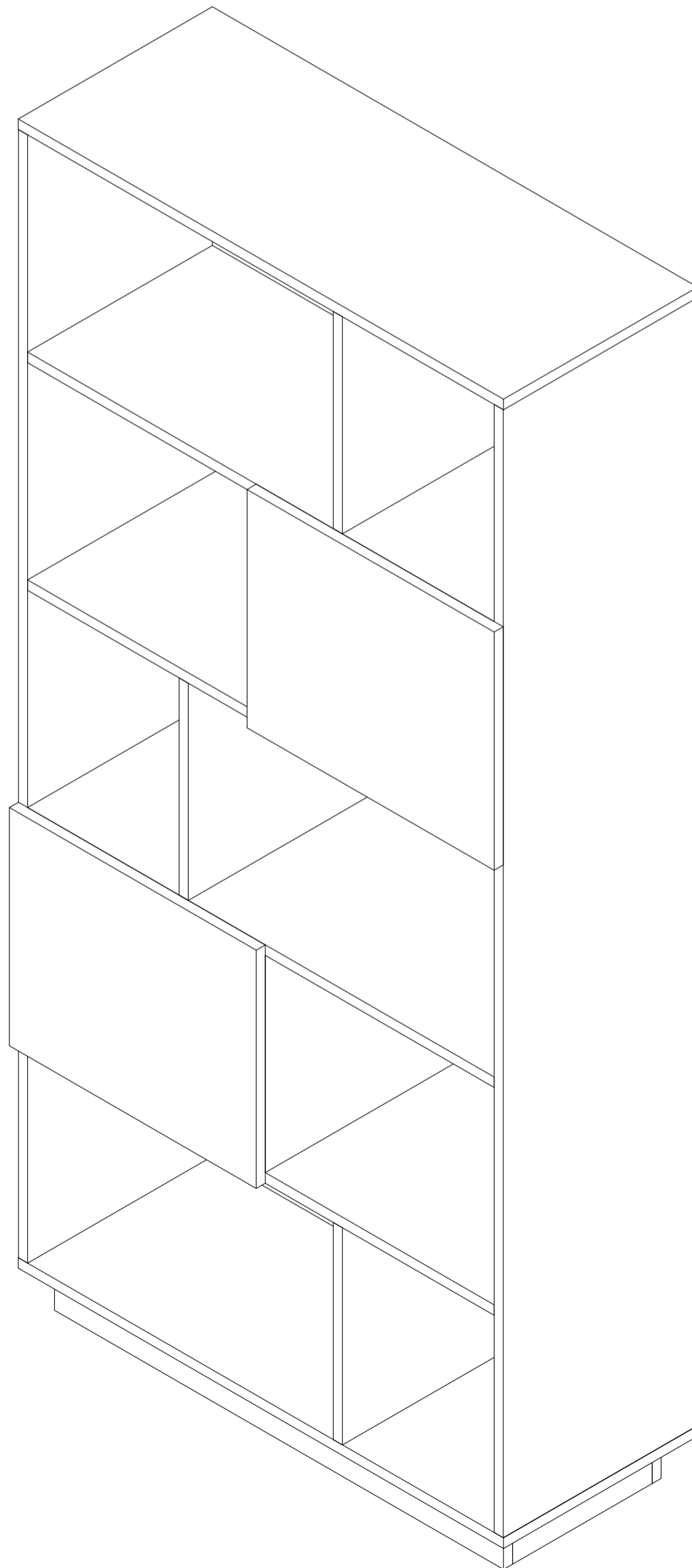
WALL

Please fasten the furniture to the wall !!

ALL 4 KIDS

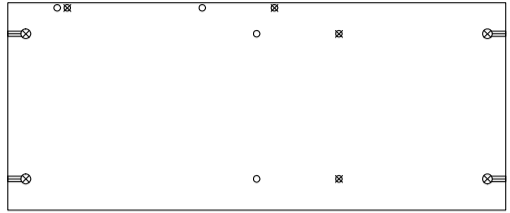
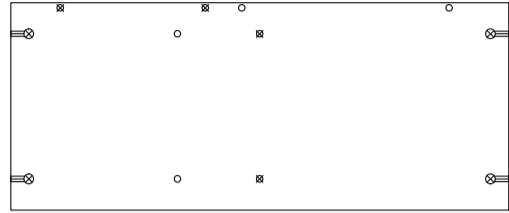
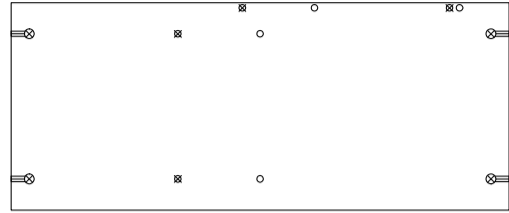
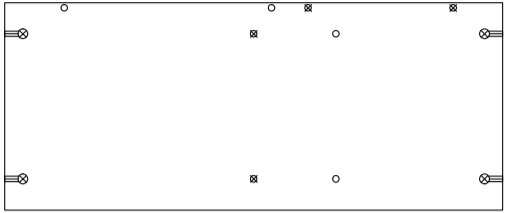
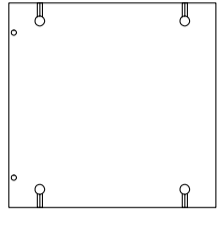
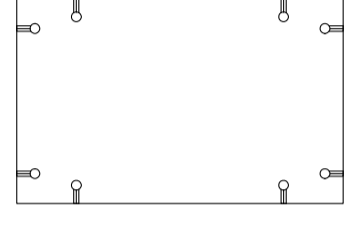
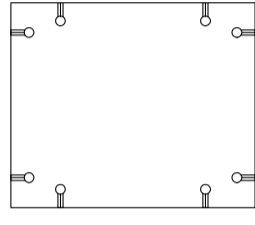
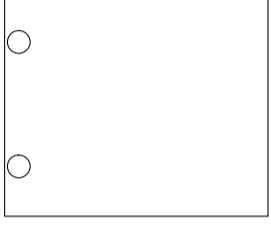
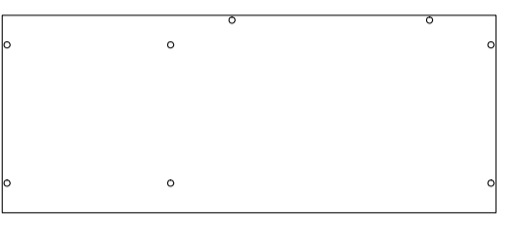
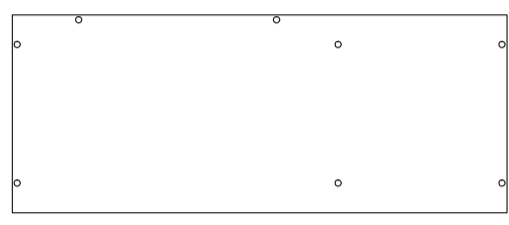


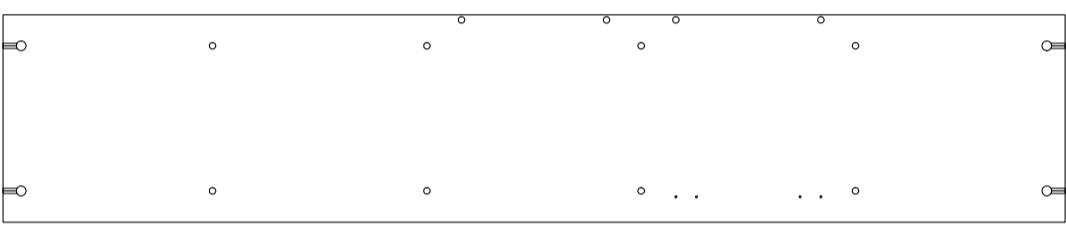
Noah Bookcase - Small

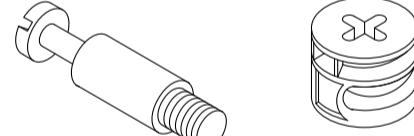
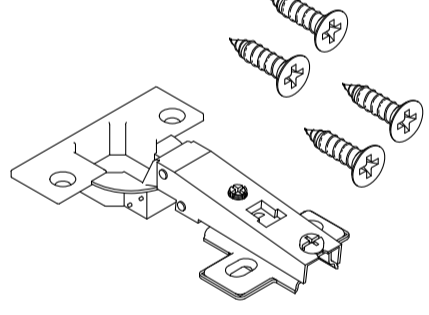
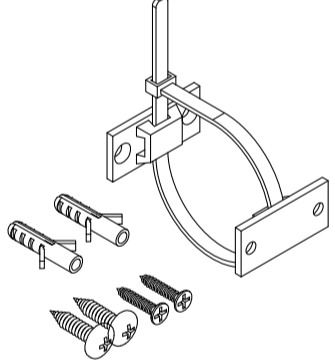
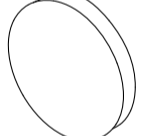
It may take 2 - 4 hours for this assembly based on normal knowledge.
Please prepare parts on a soft blanket against scratch and damage.
The best helper is your patience, thanks for our developing teams hundreds of hours on DIY design.

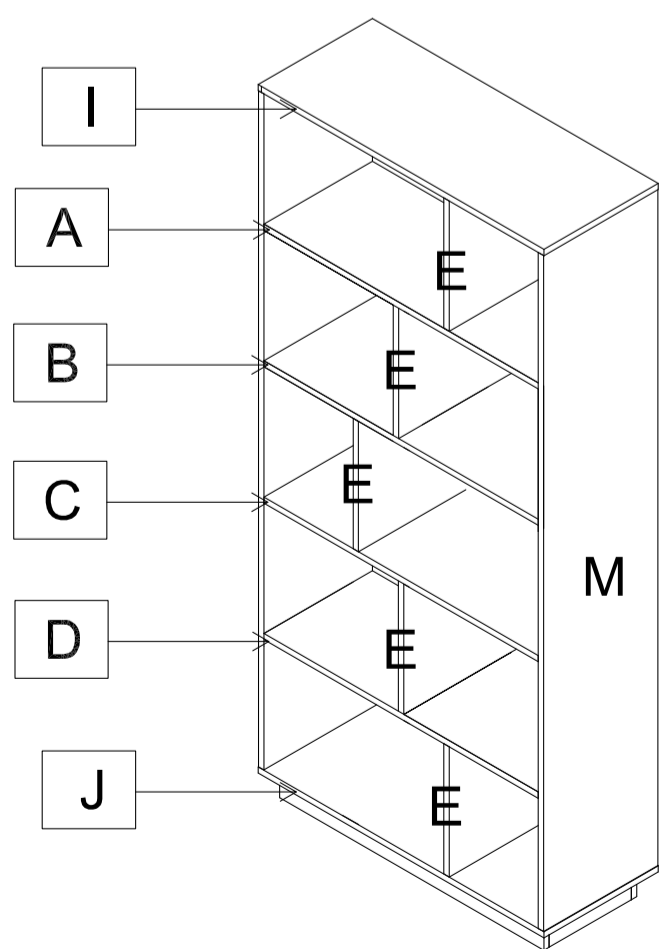


ALL THE PARTS ARE AS BELOW

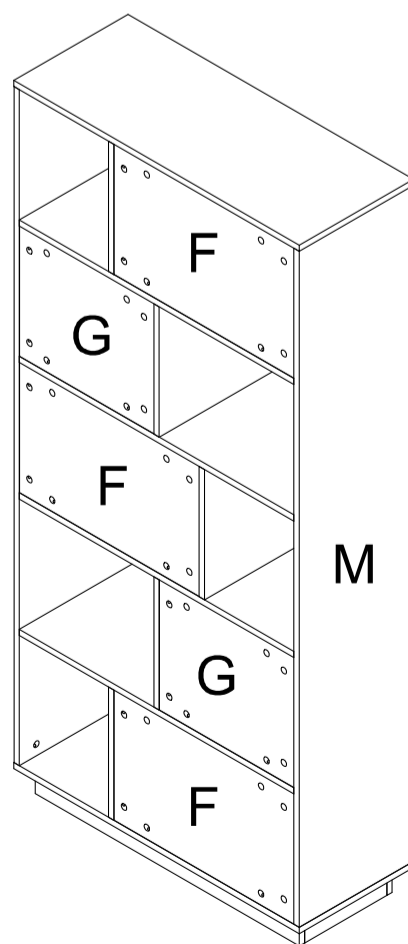
Please check all hardware and accessories and feel free to contact us if you have any questions.

				
Middle board - I	Middle board - II	Middle board - III	Middle board - IV	Central upright panel
1PC	1PC	1PC	1PC	5PCS
				
Backboard - I	Backboard - II	Door	Top Panel	Bottom Panel
3PCS	2PCS	2PCS	1PC	1PC
				
Long leg board	Long leg board	Side boards		
2PCS	2PCS	2PCS		

			
98PCS	4PCS / 16PCS	2PCS	98PCS

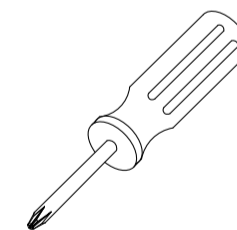


Front view



Dorsal view

Tools Needed
(not included)
Outils requis
(non inclus)



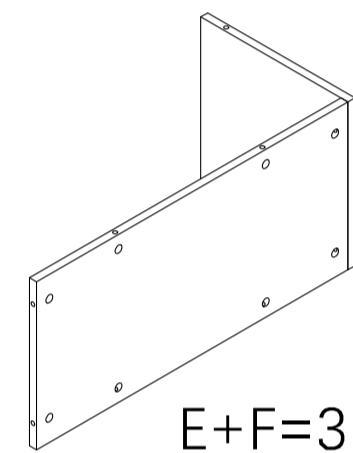
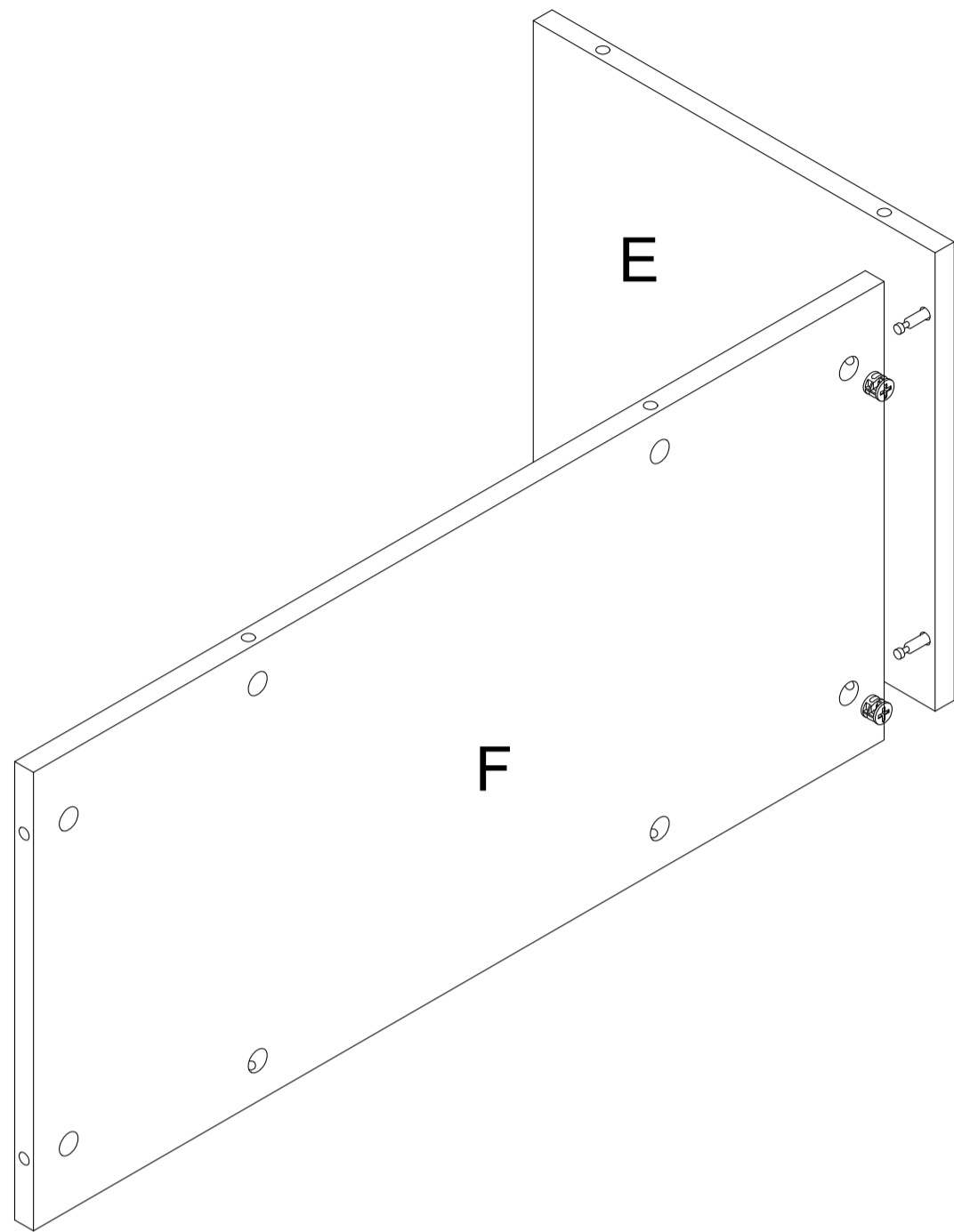
Phillips
screwdriver
Tournevis
cruciforme

Congratulations on purchasing an ALL 4 KIDS product. This product will provide many years of service if you adhere to the following guidelines for assembly, maintenance, and operation. This product is for residential use only. Any institutional use is strictly prohibited. Please be sure to follow the instructions for proper assembly. Use a Phillips head screwdriver for assembling the product in addition to the Allen wrench included in the hardware box. Do not use power screwdrivers.

DO NOT SUBSTITUTE PARTS. ALL MODELS HAVE THE SAME QUANTITY OF PARTS AND HARDWARE. YOUR MODEL MAY LOOK DIFFERENT FROM THE ONE ILLUSTRATED DUE TO STYLISTIC VARIATIONS.

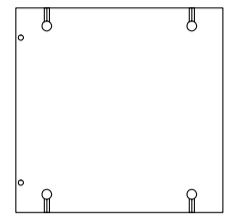
Step 1.

Assembled backboard I.
Link parts "E", "F" with hardware "1".



E+F=3PCS

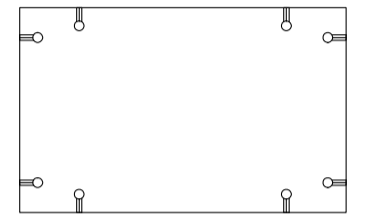
E



Central upright panel

3PCS

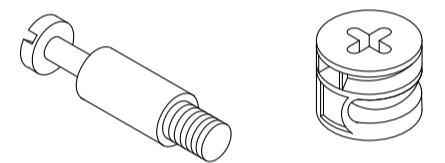
F



Backboard - I

3PCS

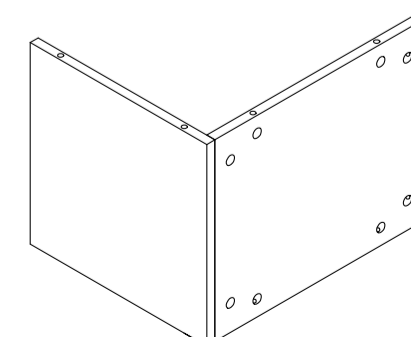
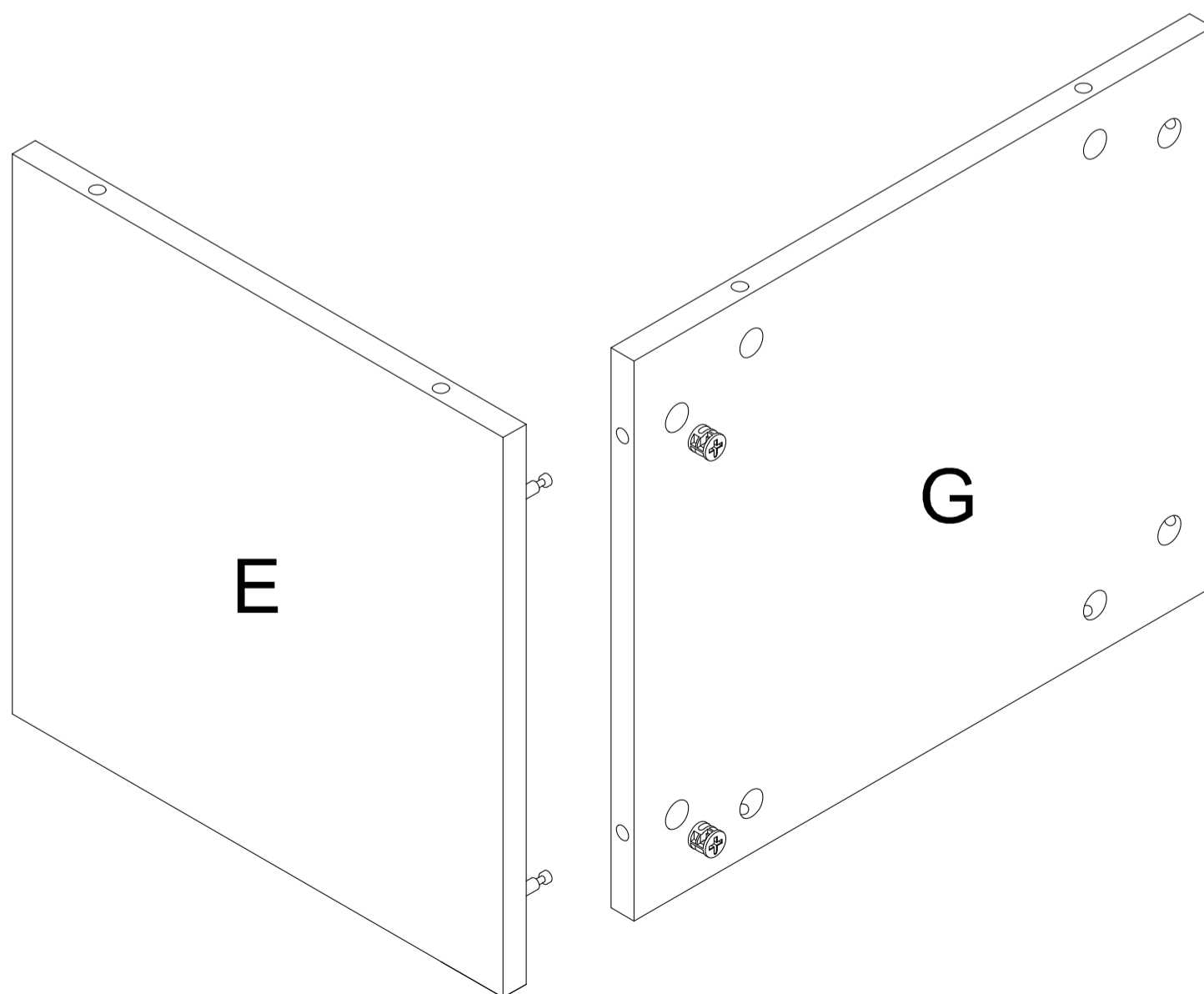
1



6PCS

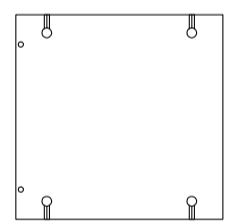
Step 2.

Assemble backboard II.
Link parts "E", "G" with hardware "1".



E+G=2PCS

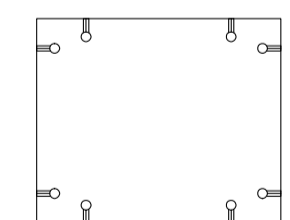
E



Central upright panel

2PCS

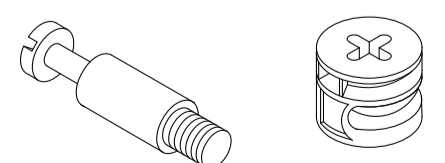
G



Backboard - II

2PCS

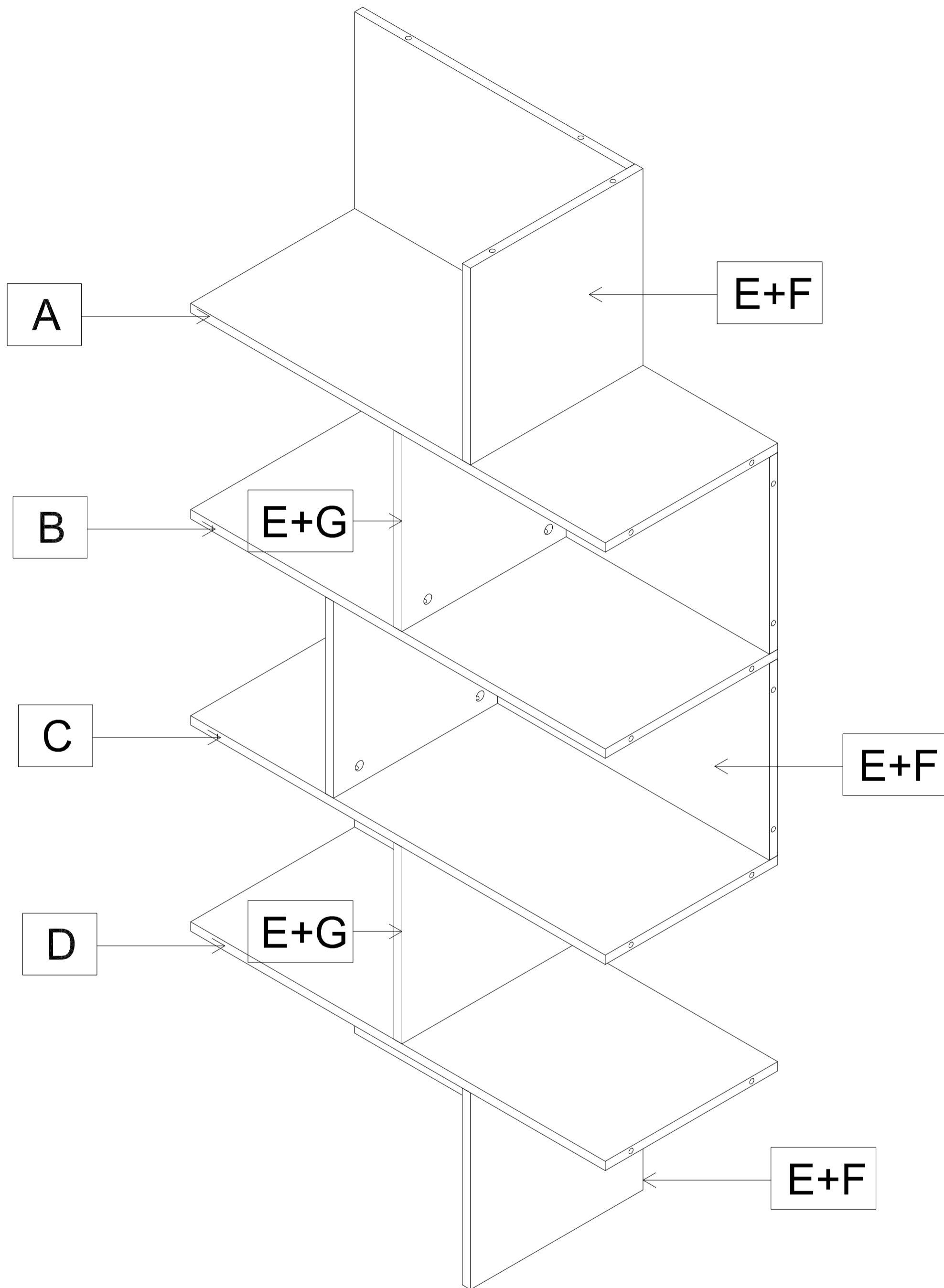
1



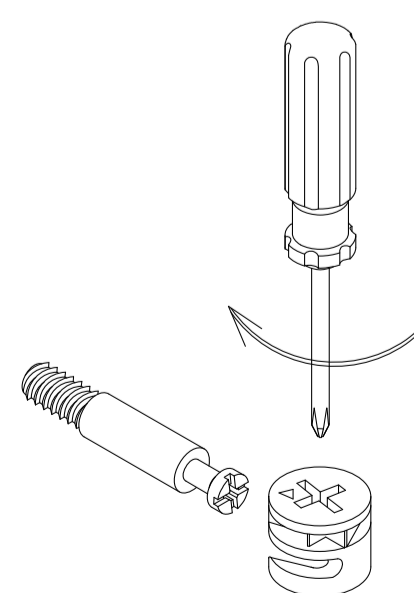
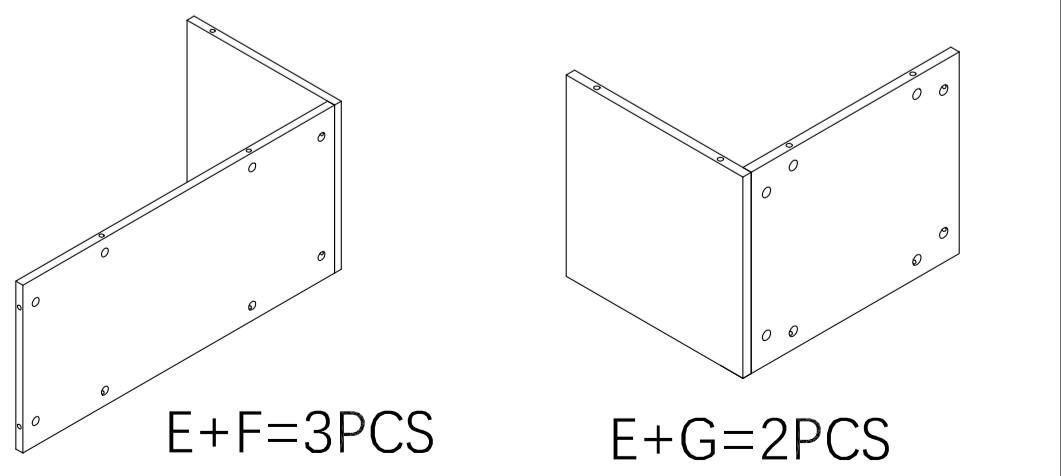
4PCS

Step 3.

Assemble the cabinet body.
Note the difference between parts "A", "B", "C" and "D".

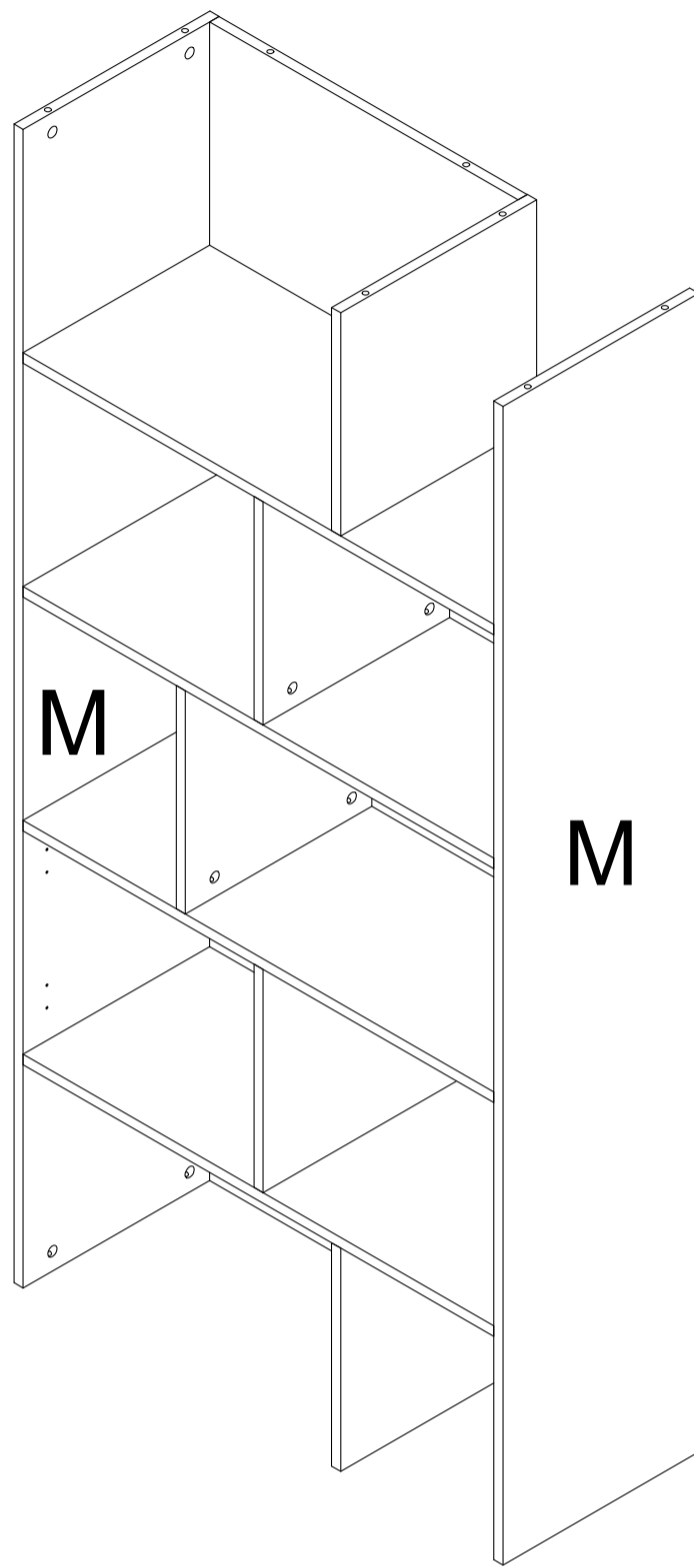


A	
	Middle board - I
	1PC
B	
	Middle board - II
	1PC
C	
	Middle board - III
	1PC
D	
1	Middle board - IV
	1PC
1	
	32PCS

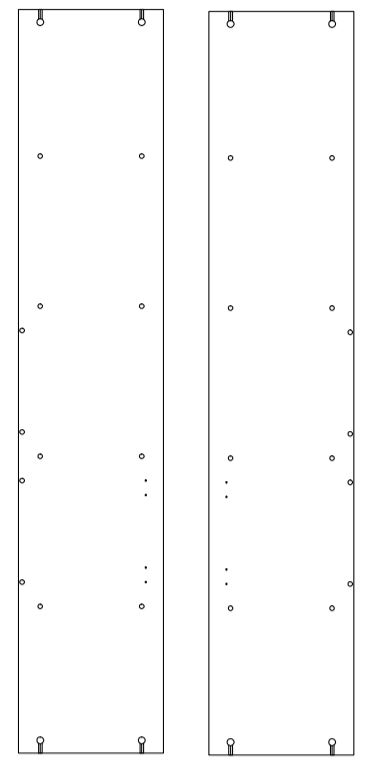


Step 4.

Assemble the cabinet body.
Link all the middle boards with "1" hardware.



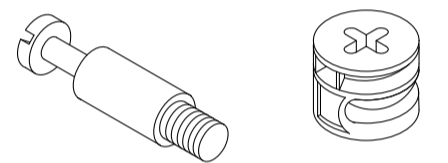
M



Side boards

2PCS

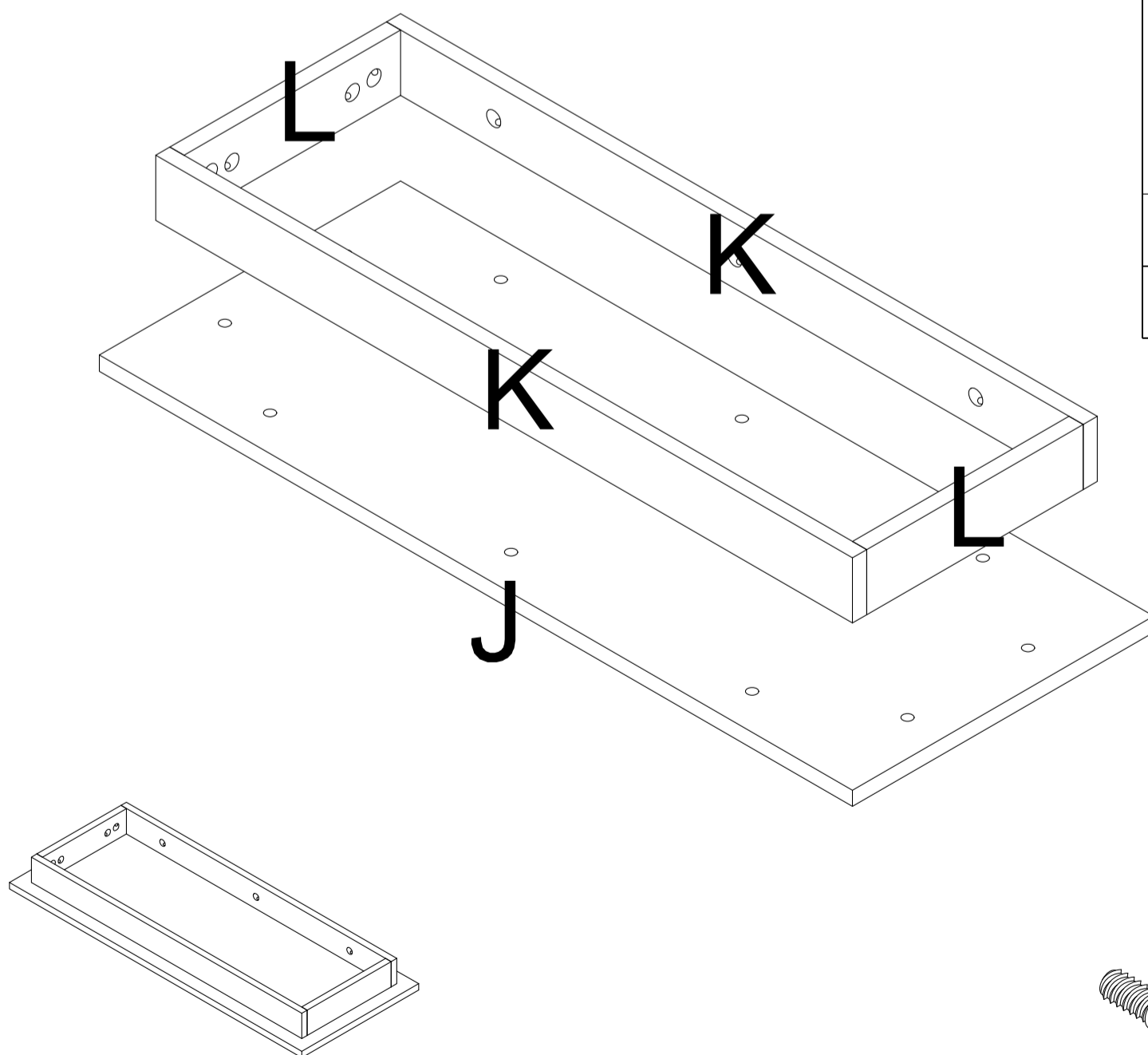
1



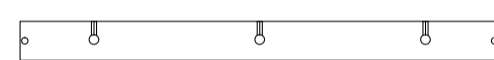
26PCS

Step 5.

Assemble the base.
First link part "K", "L" with "1" hardware, then fasten part "K+L" to "J".



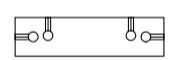
K



Long leg board

2PCS

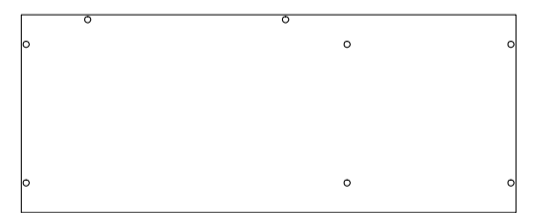
L



Long leg board

2PCS

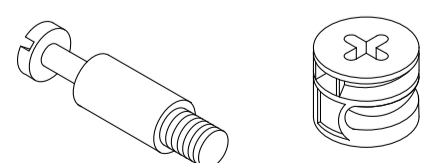
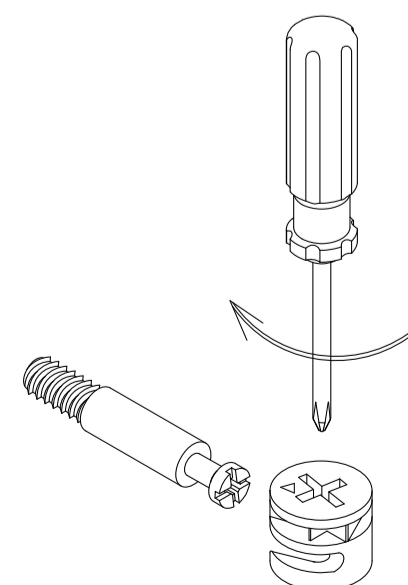
J



Bottom Panel

1PC

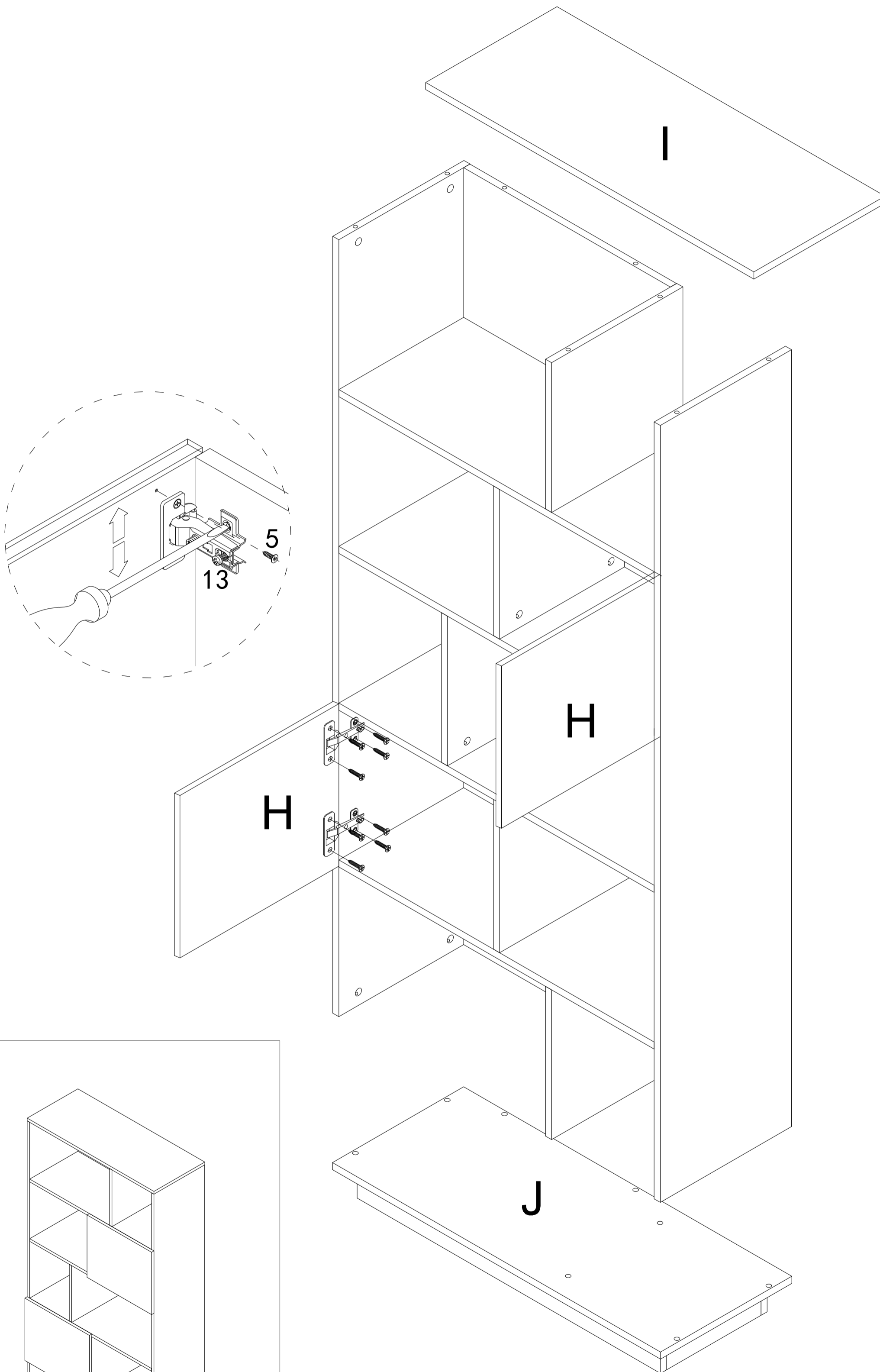
1



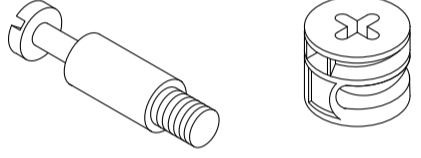
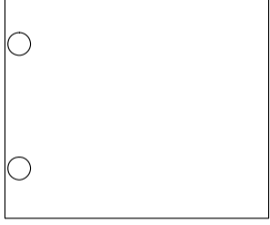
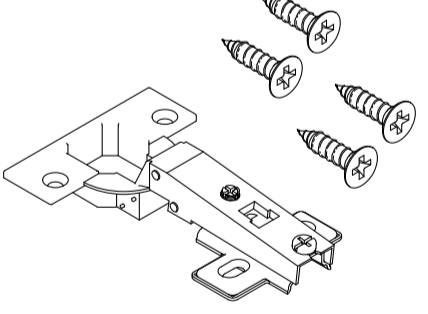


14PCS

Step 6.

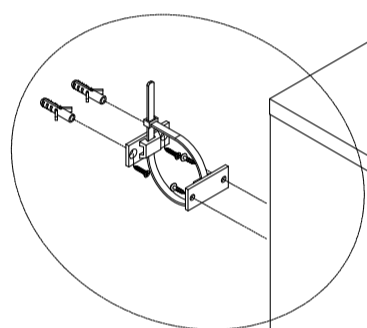
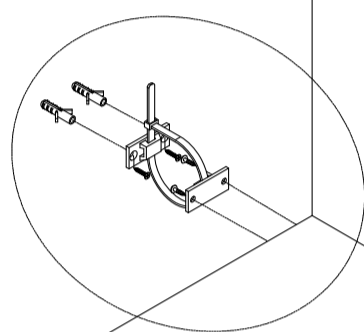
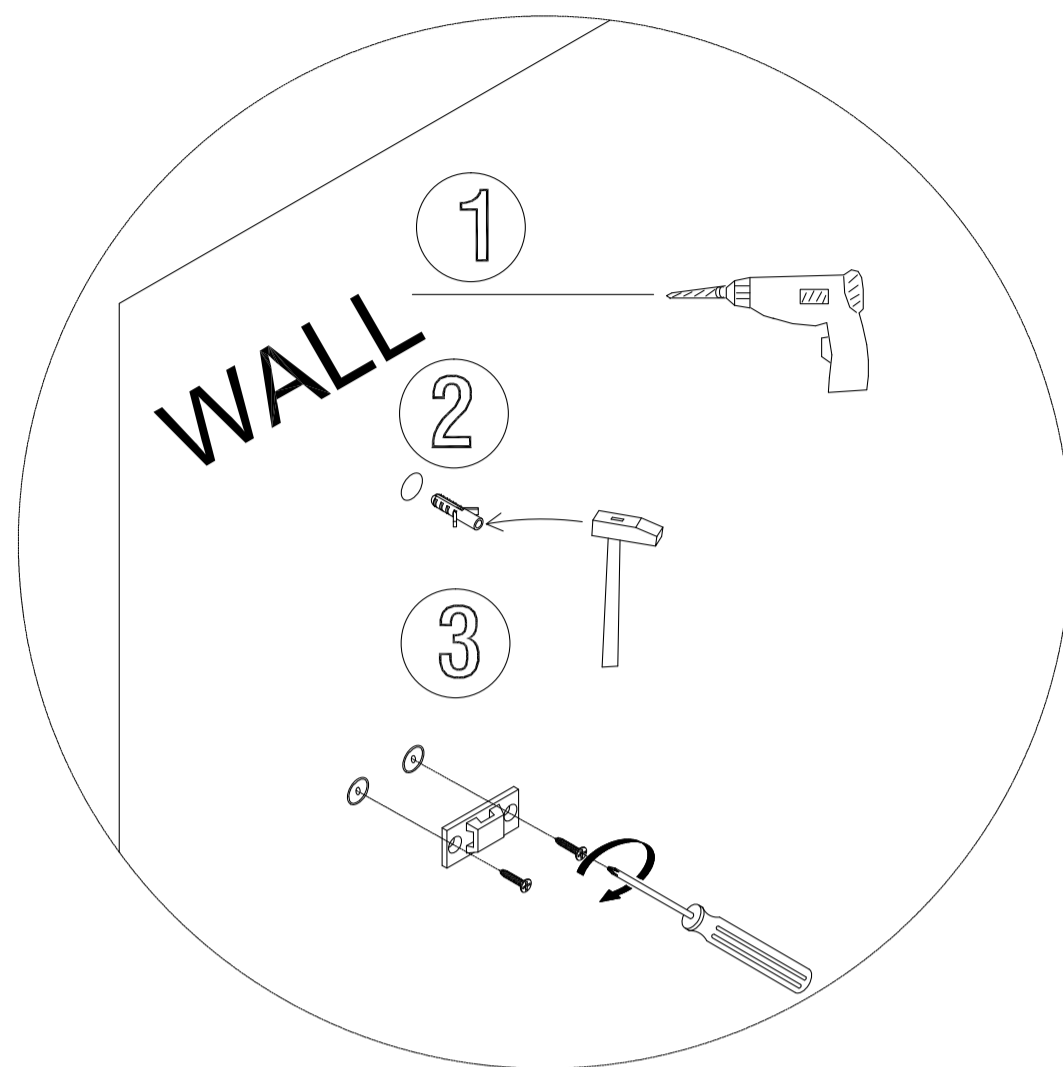
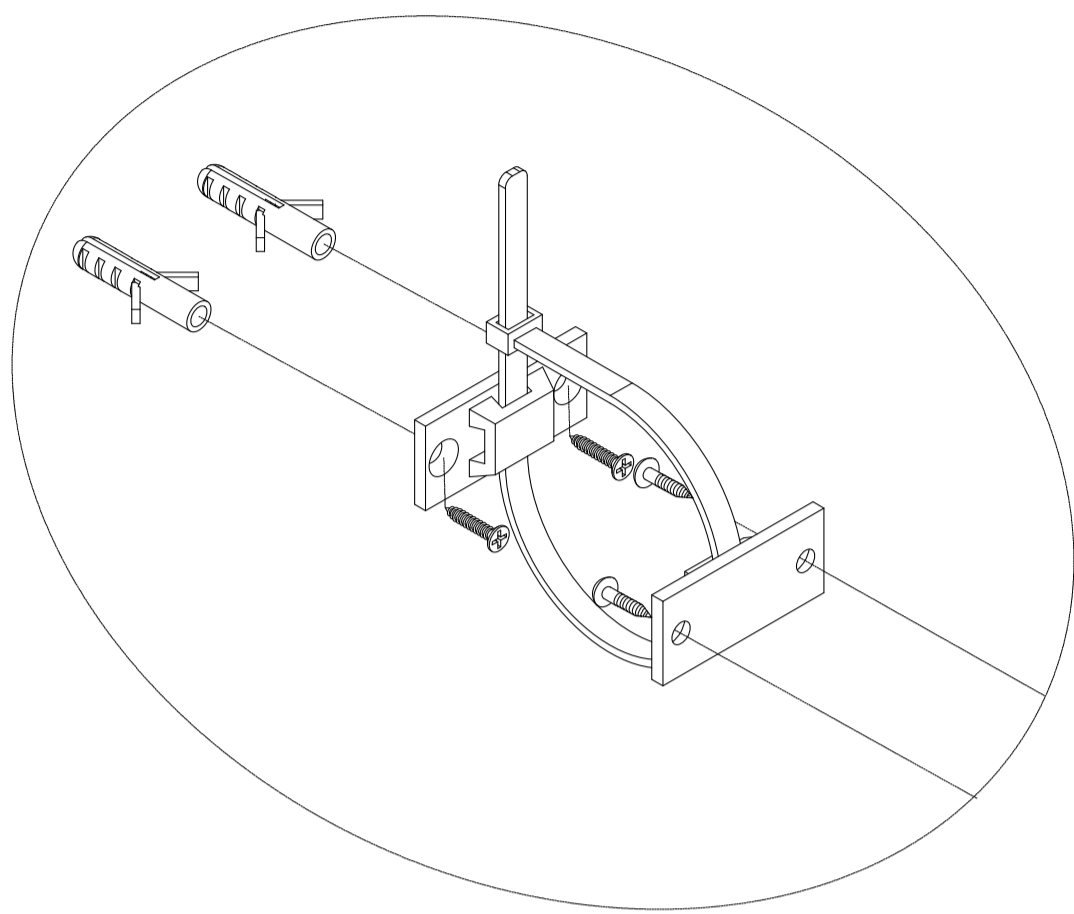
6.1: Assemble top panel and bottom panel.
6.2: Assembled door.



I	
Top Panel	
1PC	
J	
Bottom Panel	
1PC	
1	
16PCS	
H	
Door	
2PCS	
2	
4PCS / 16PCS	

Step 7.

Please fasten the furniture to the wall !!



WALL

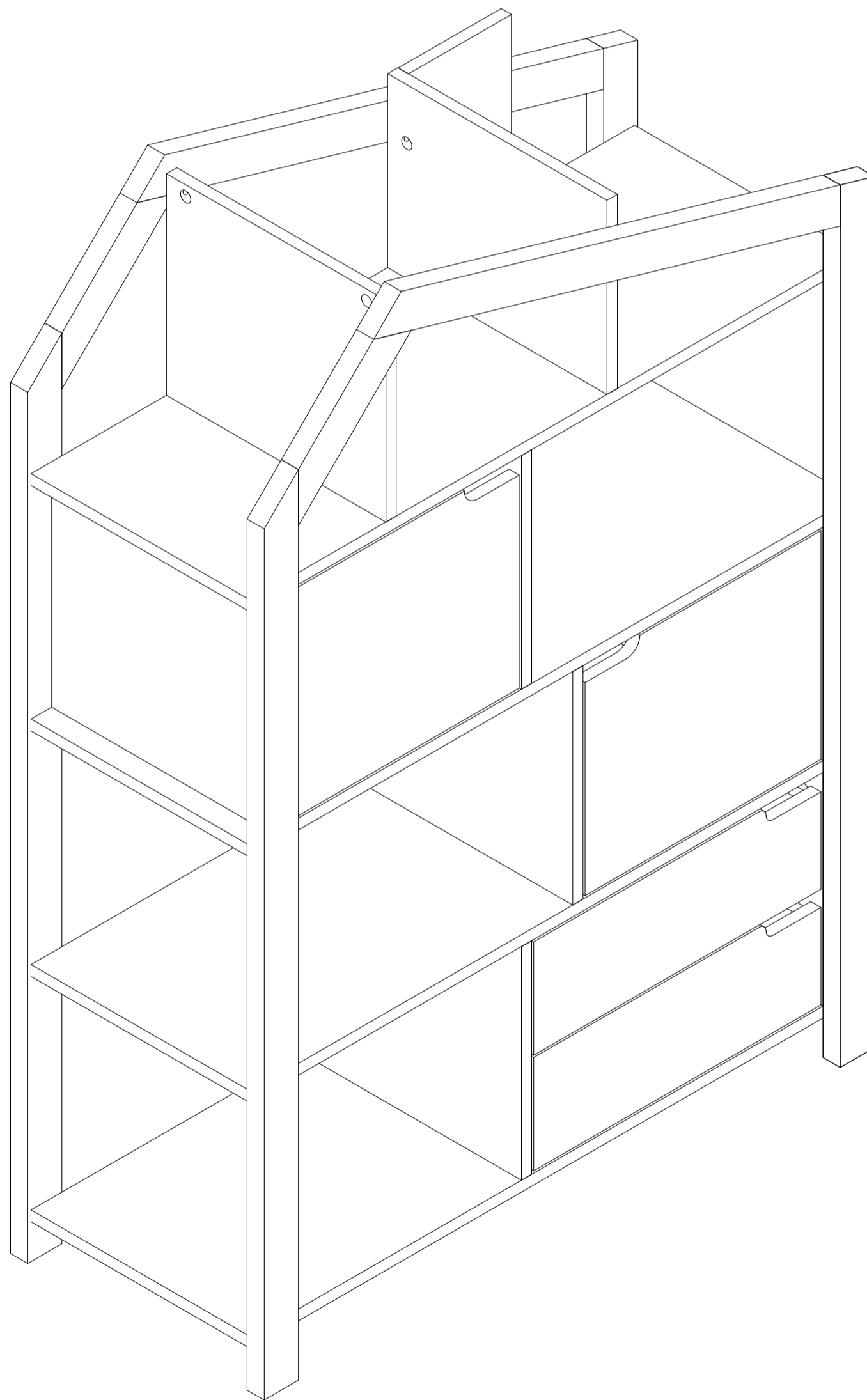
WALL

Please fasten the furniture to the wall !!

ALL 4 KIDS


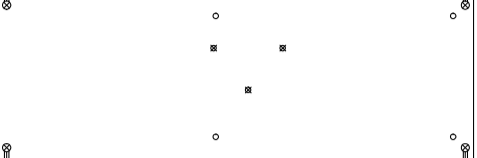
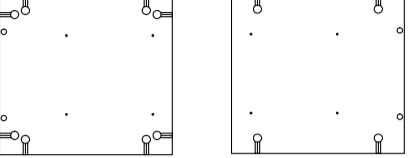
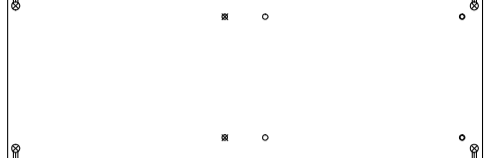
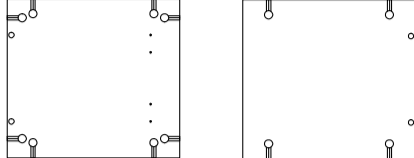
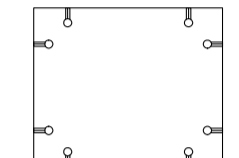
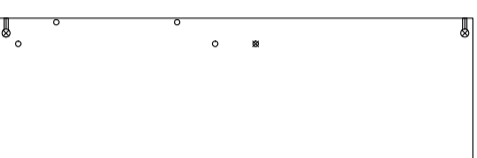
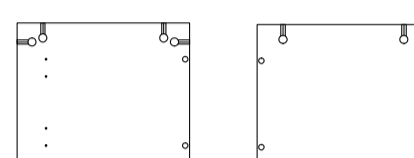
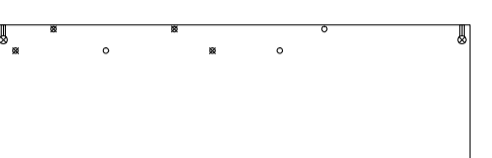
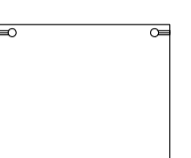
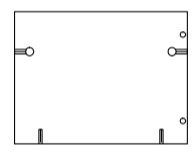
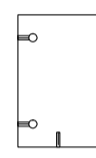

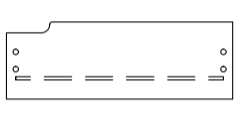
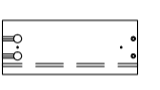


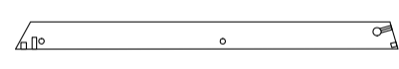
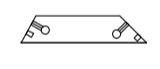
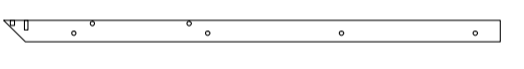
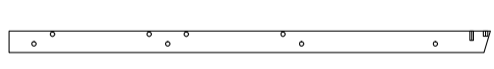
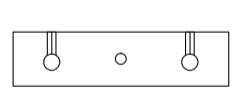
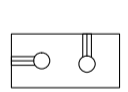
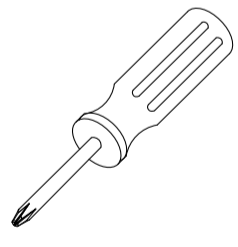
Wesley House Bookcase

It may take 2 - 4 hours for this assembly based on normal knowledge.
Please prepare parts on a soft blanket against scratch and damage.
The best helper is your patience, thanks for our developing teams hundreds of hours on DIY design.



ALL THE PARTS ARE AS BELOW

Please check all hardware and accessories and feel free to contact us if you have any questions.

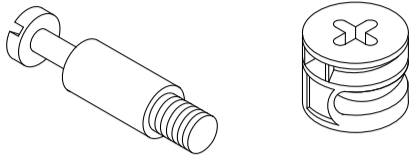
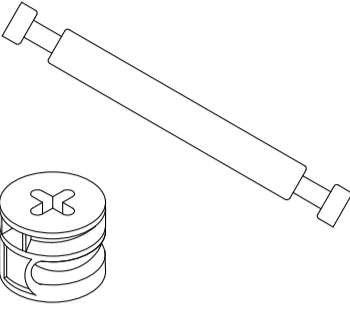
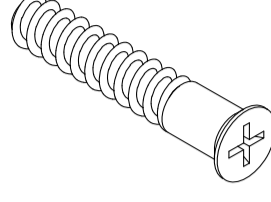
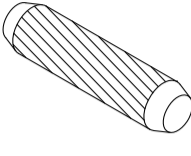
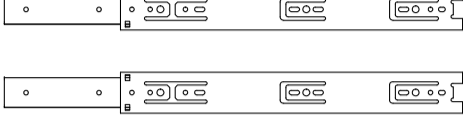
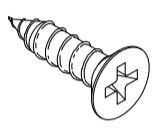
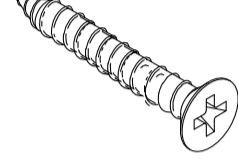
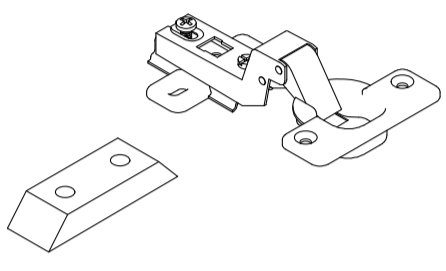
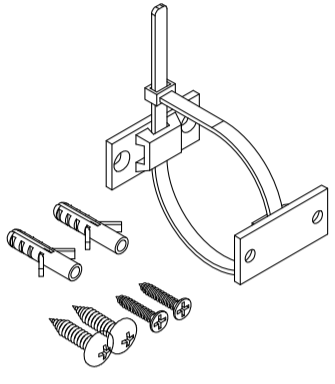
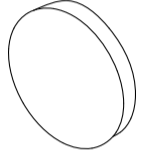
A  PINE Backboard - I 1PC	B  WHITE Middle board - I 1PC	C  PINE Central upright panel-I 2PCS(L&R)	D  WHITE Middle board - II 1PC	E  WHITE Central upright panel-II 2PCS(L&R)
F  WHITE Backboard - II 2PCS	G  WHITE Middle board - III 1PC	H  WHITE Central upright panel-III 2PCS(L&R)	I  WHITE Middle board - IV 1PC	J  WHITE Central upright panel-IV 1PC
K  PINE Central upright panel-V 1PC	L  PINE Central upright panel-VI 1PC	M  WHITE Door 2PCS	N  PINE Drawer Front 2PCS	O  PINE Drawer Sides 4PCS(L&R)
P  PINE Drawer Back 2PCS	Q  PINE Drawer Bottom 2PCS	R  PINE Leg-I 2PCS(L&R)	S  PINE Leg-II 2PCS	T  PINE Leg-III 2PCS(L&R)
U  PINE Leg-IV 2PCS(L&R)	V  WHITE Leg-V 1PC	W  WHITE Leg-VI 1PC	<p>Tools Needed (not included) Outils requis (non inclus)</p>  <p>Phillips screwdriver Tournevis cruiforme</p>	
<p>There are many kinds of wood, Please pay attention to distinguish!</p>				

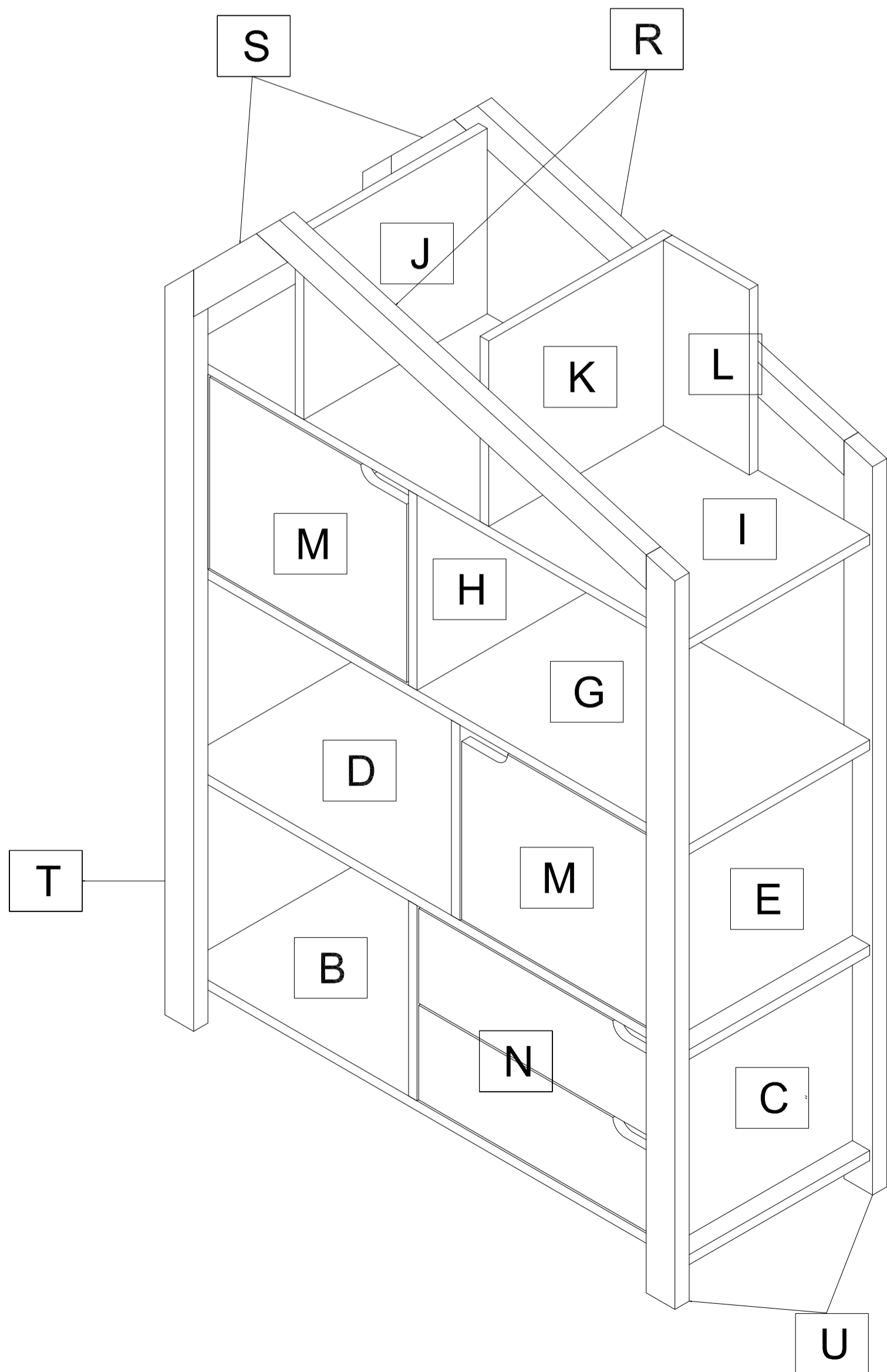
Congratulations on purchasing an ALL 4 KIDS product. This product will provide many years of service if you adhere to the following guidelines for assembly, maintenance, and operation. This product is for residential use only. Any institutional use is strictly prohibited. Please be sure to follow the instructions for proper assembly. Use a Phillips head screwdriver for assembling the product in addition to the Allen wrench included in the hardware box. Do not use power screwdrivers.

DO NOT SUBSTITUTE PARTS. ALL MODELS HAVE THE SAME QUANTITY OF PARTS AND HARDWARE. YOUR MODEL MAY LOOK DIFFERENT FROM THE ONE ILLUSTRATED DUE TO STYLISTIC VARIATIONS.

ALL THE PARTS ARE AS BELOW

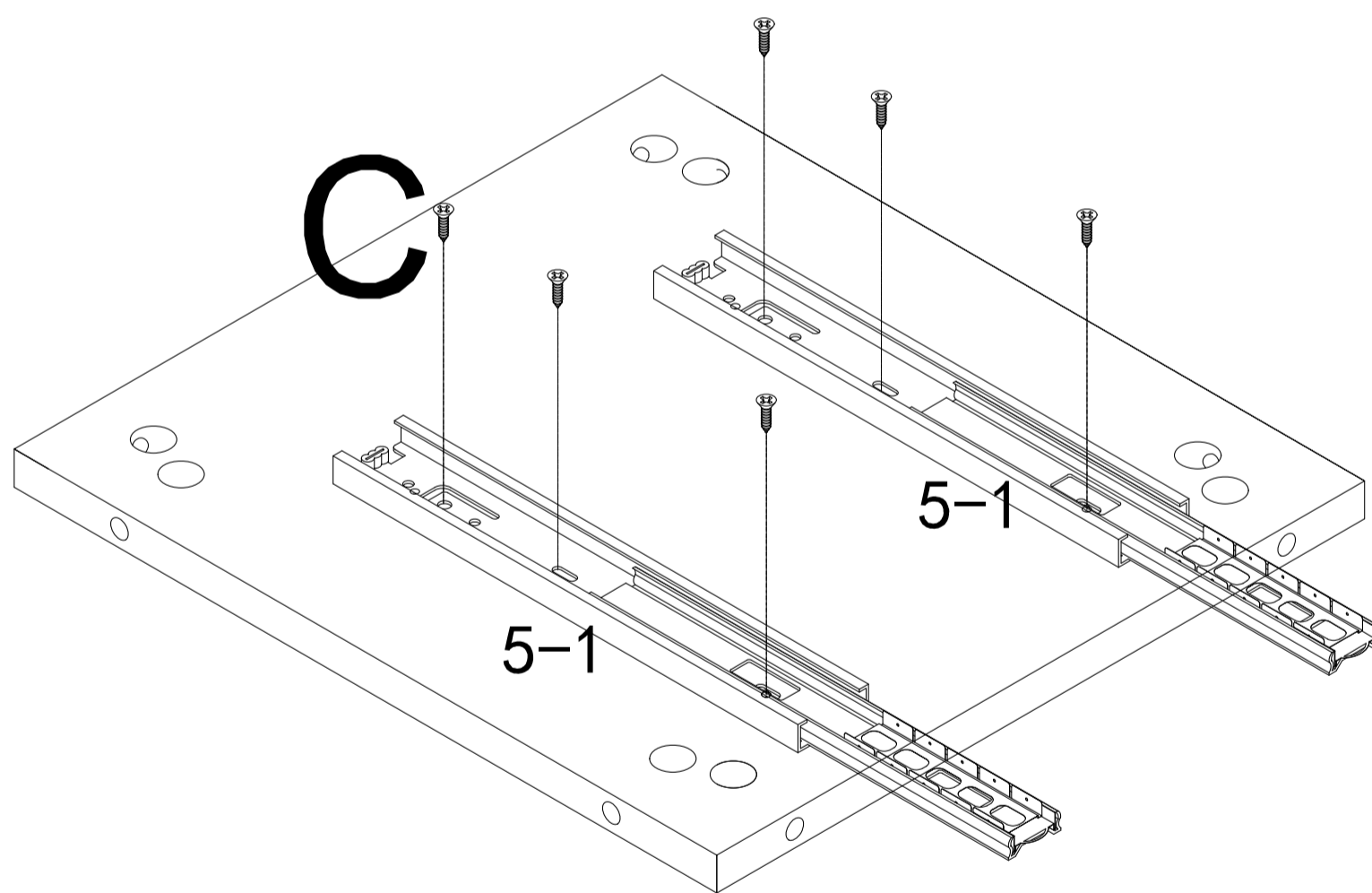
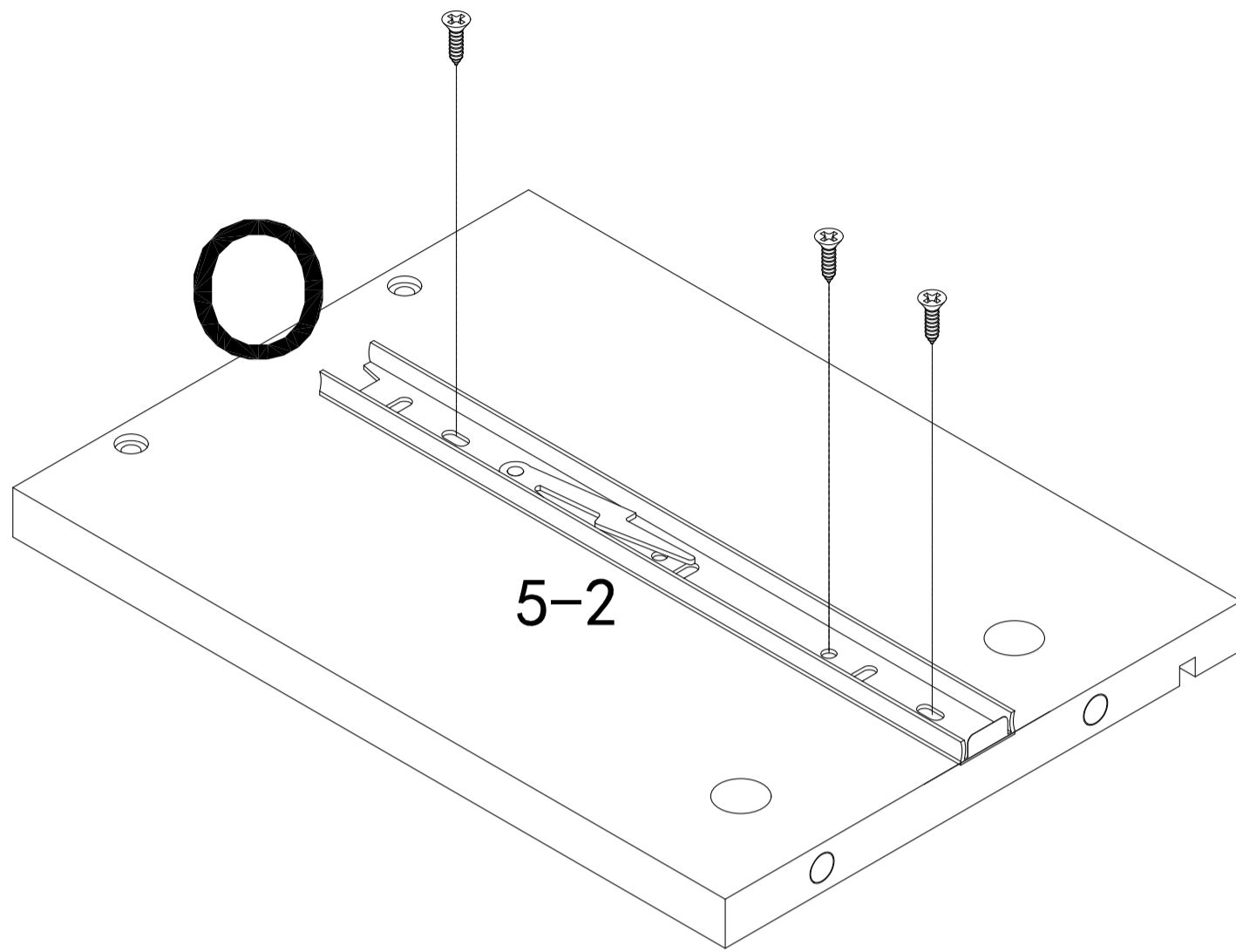
Please check all hardware and accessories and feel free to contact us if you have any questions.

<p>1</p> 	<p>2</p> 	<p>3</p> 	<p>4</p> 	<p>5</p> 
<p>97PCS</p>	<p>4PCS / 2PCS</p>	<p>5PCS</p>	<p>6PCS</p>	<p>4PCS</p>
<p>6</p> 	<p>7</p> 	<p>8</p> 	<p>9</p> 	<p>10</p> 
<p>44PCS</p>	<p>8PCS</p>	<p>2PCS / 4PCS</p>	<p>2PCS</p>	<p>101PCS</p>

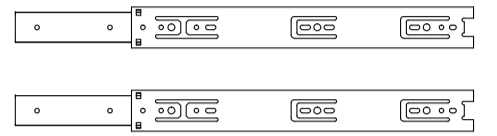


Step 1.

Assemble drawer slide rails. First divide the slide "A" into two parts. First assemble "5-2" on part "O", then assemble "5-1" on part "C".

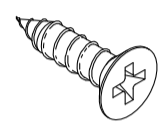


5



4PCS

6



24PCS

O

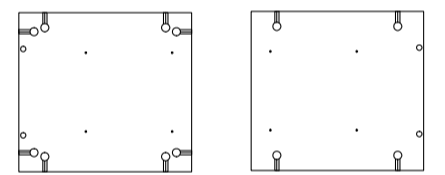


PINE

Drawer Sides

4PCS(L&R)

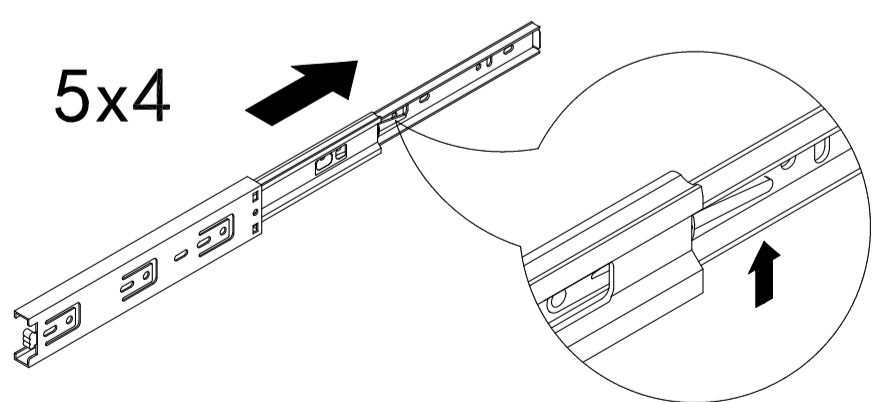
C



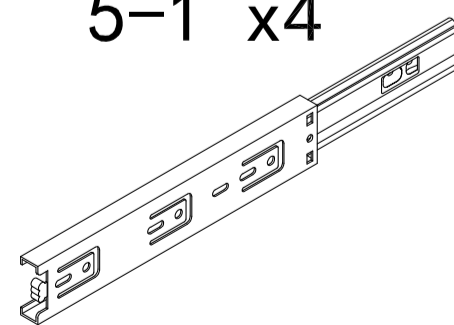
PINE

Central upright panel-I

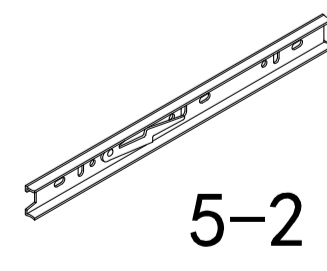
2PCS(L&R)



5-1 x4



5-2 x4



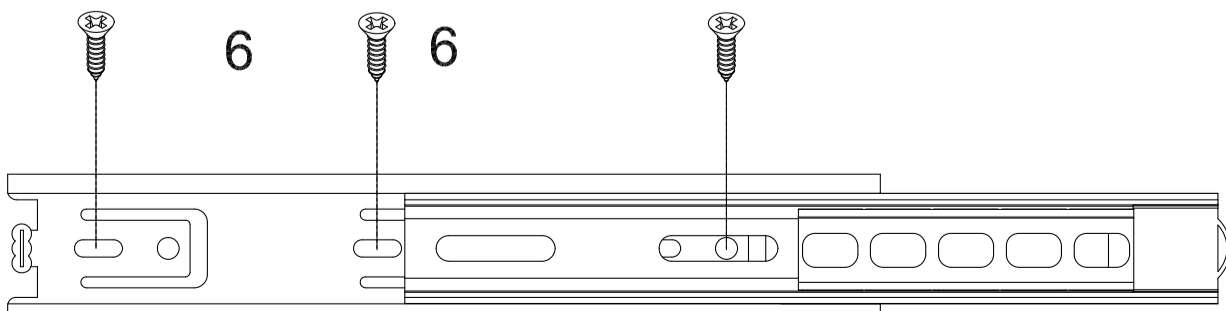
5-1



6



6



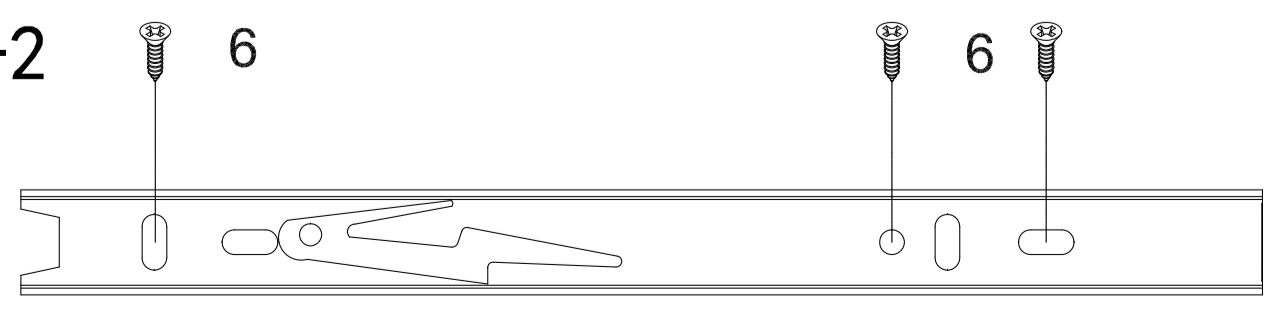
5-2



6

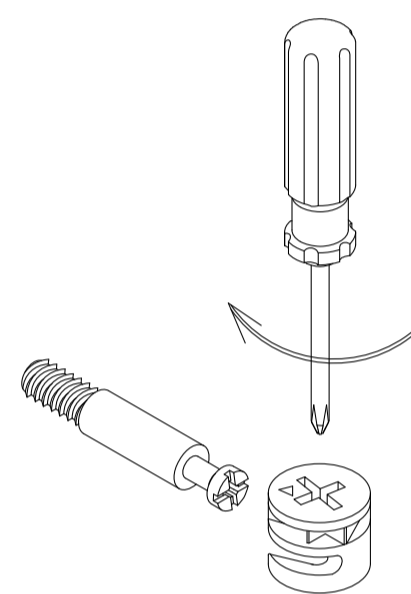
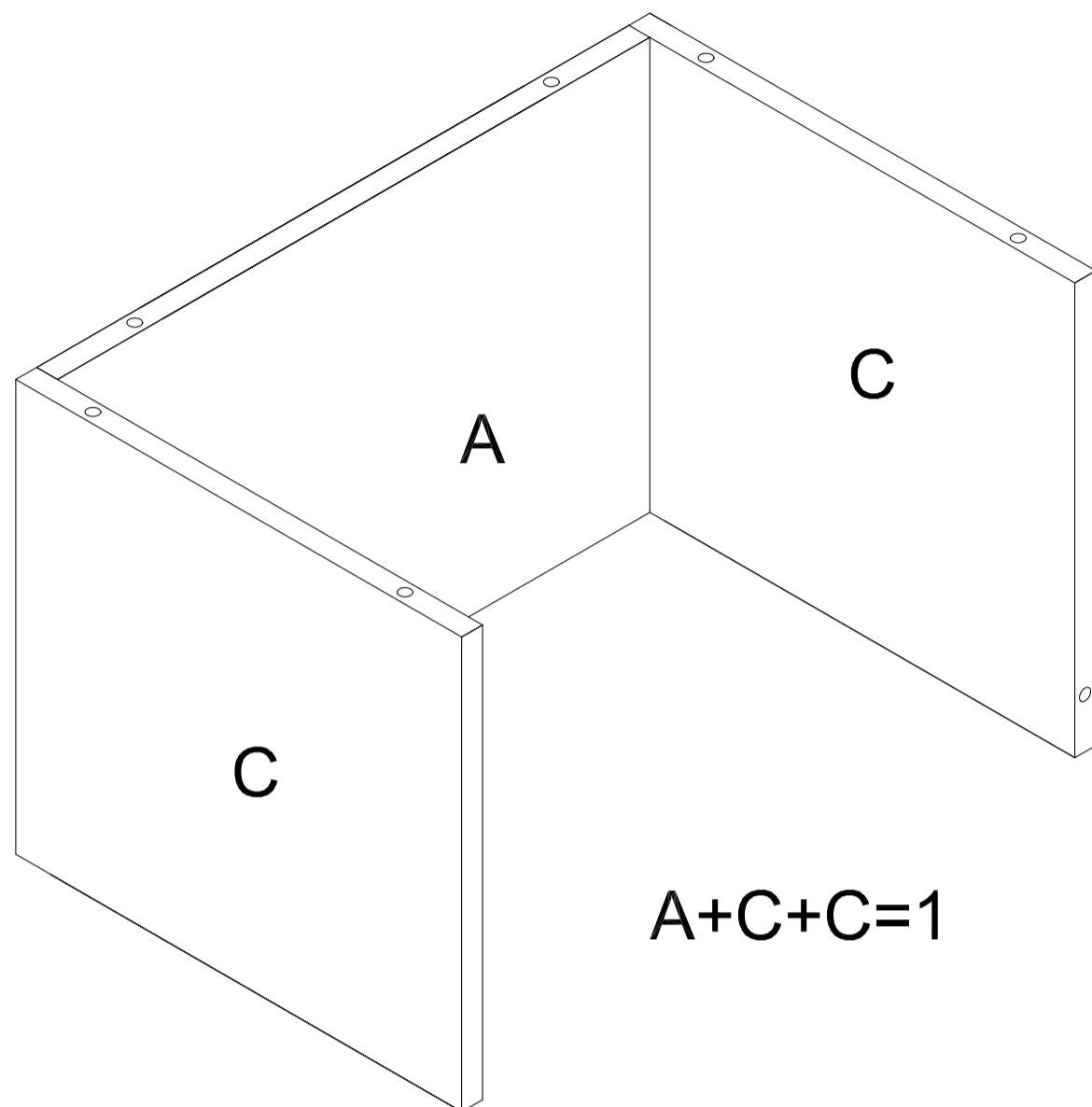


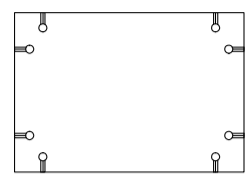
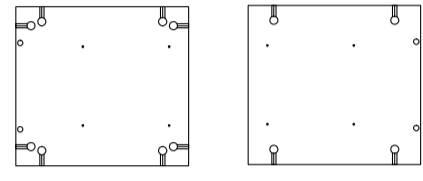
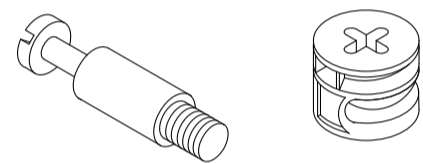
6



Step 2.

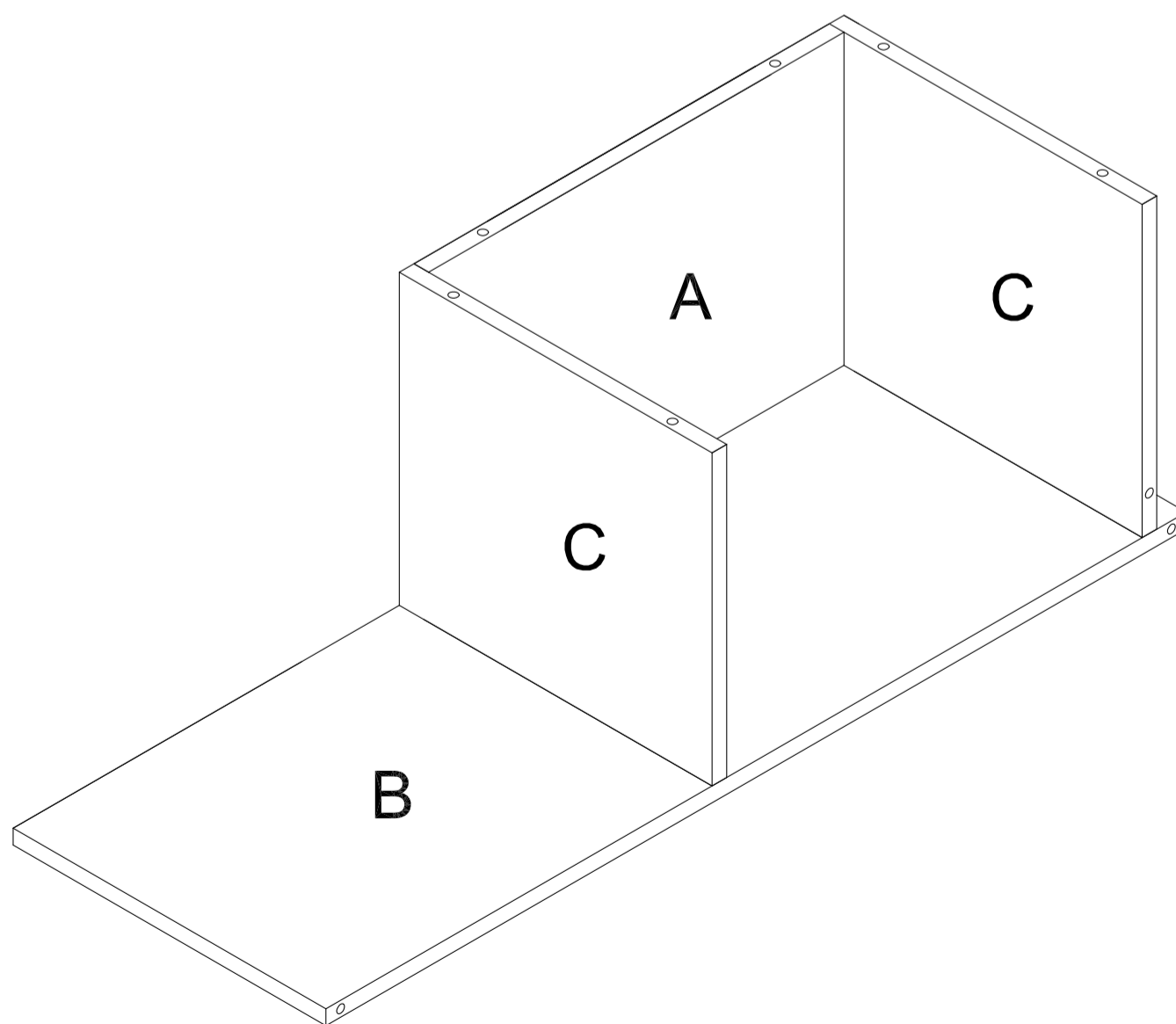
Link parts "A", "C" with hardware "1".



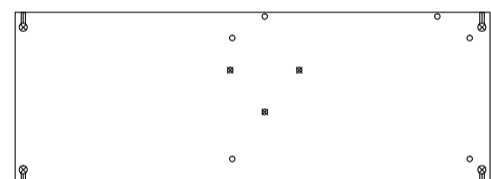
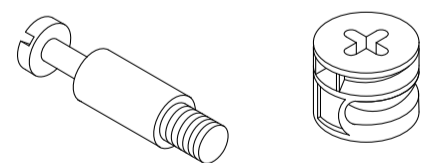
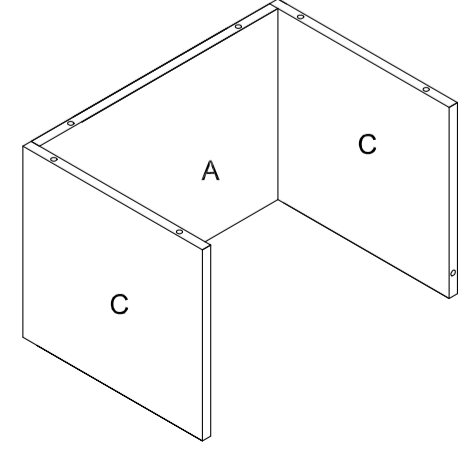
A

PINE
Backboard - I
1PC
C

PINE
Central upright panel-I
2PCS(L&R)
1

4PCS

Step 3.

Assemble Lower part.

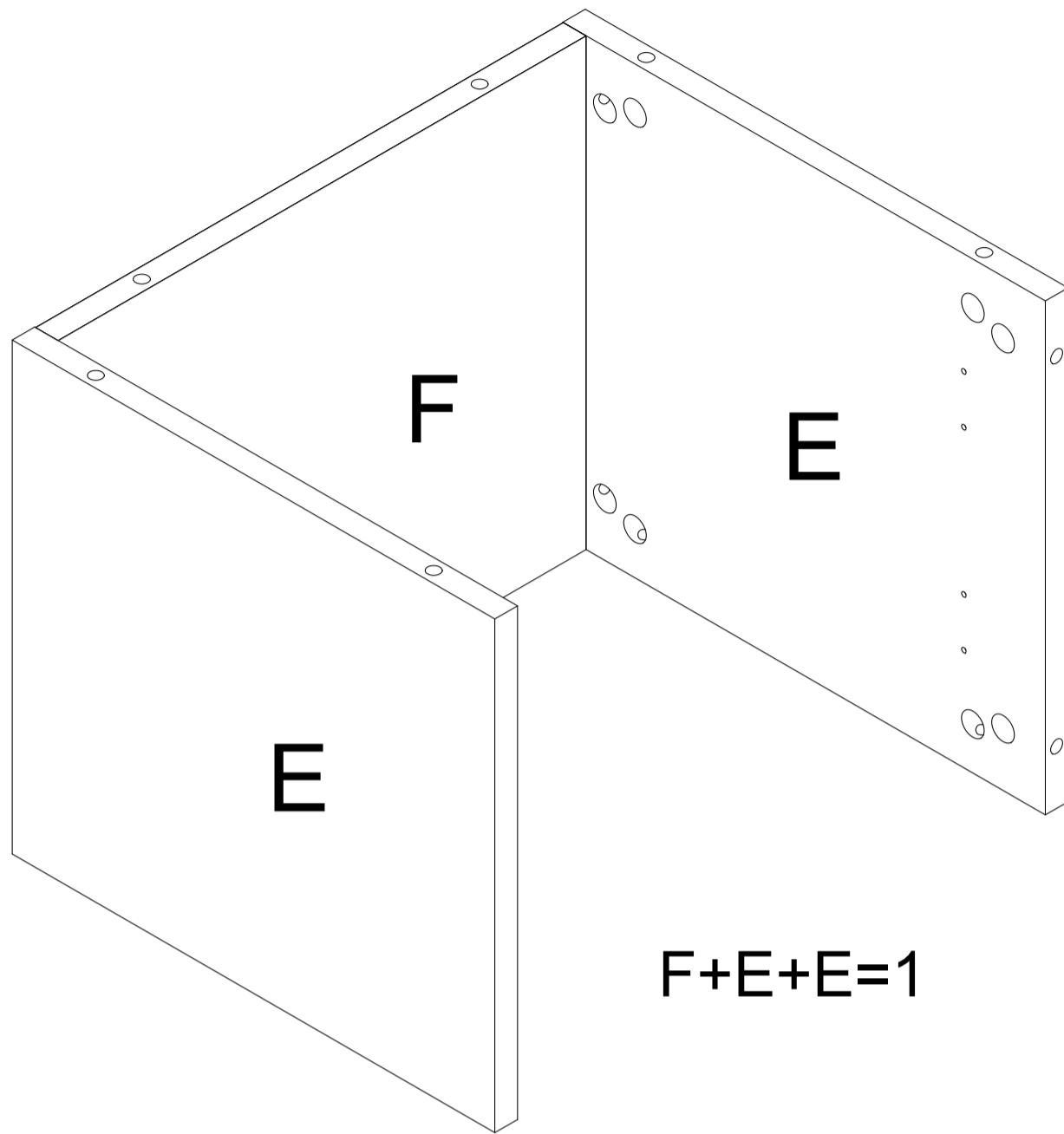


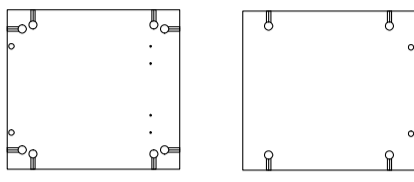
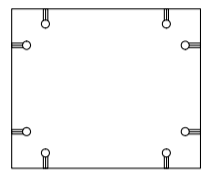
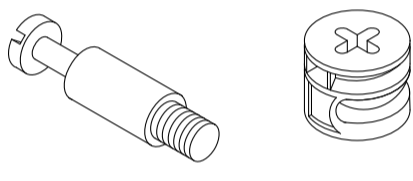
Lower part.

B

WHITE
Middle board - I
1PC
1

6PCS

$A+C+C=1$

Step 4.

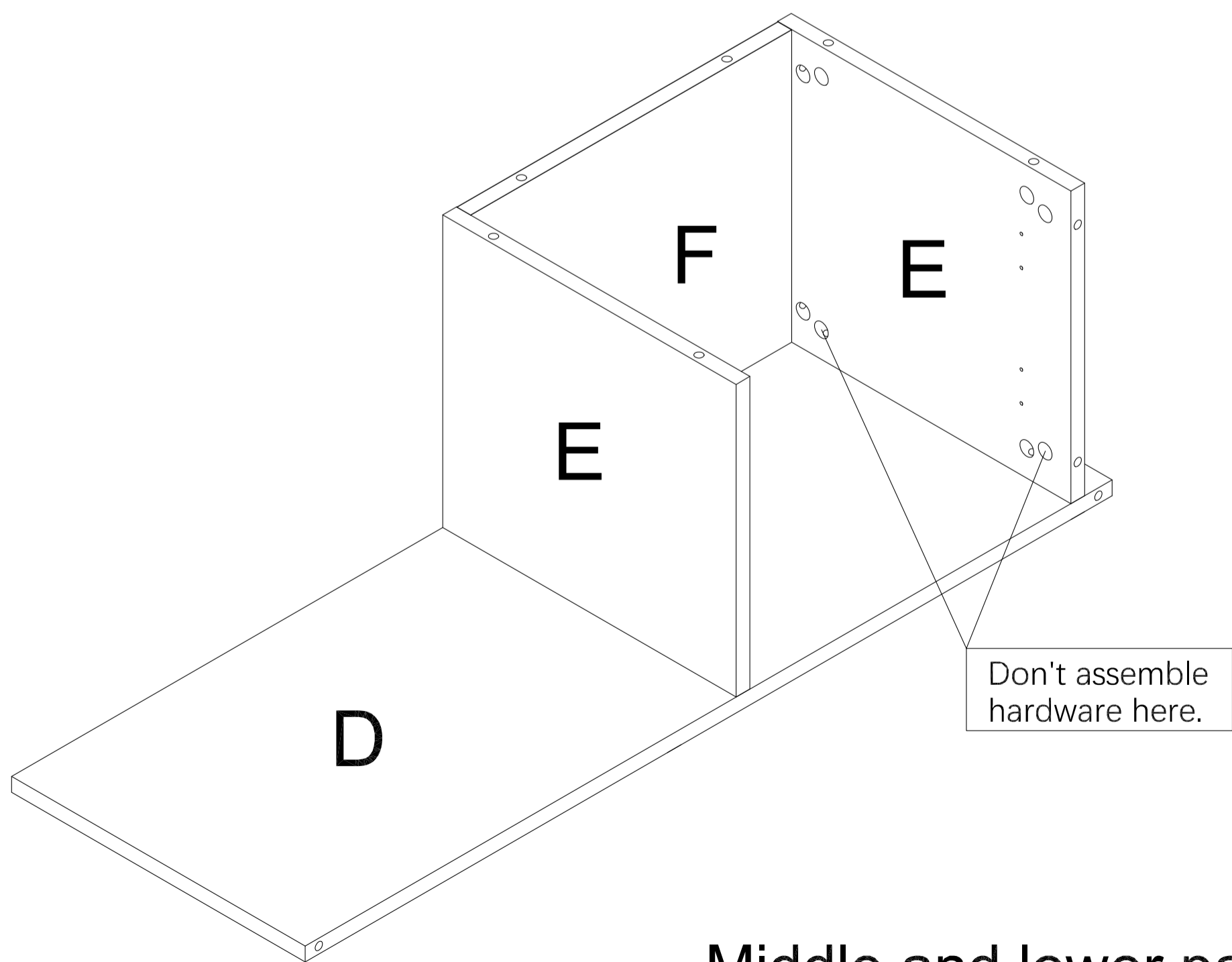
Link parts "F", "E" with hardware "1".

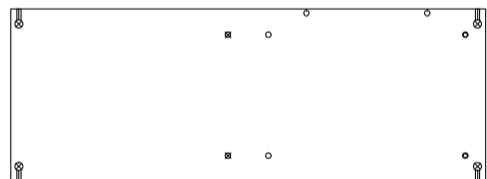
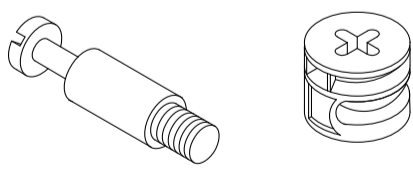
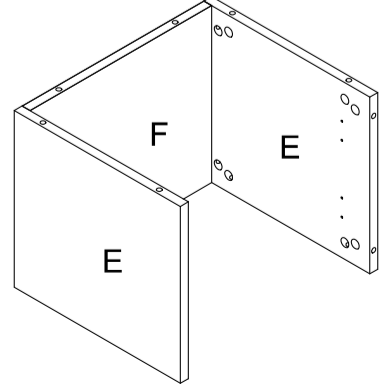


E	
	WHITE Central upright panel-II 2PCS(L&R)
F	
	WHITE Backboard - II 2PCS
1	
	4PCS

Step 5.

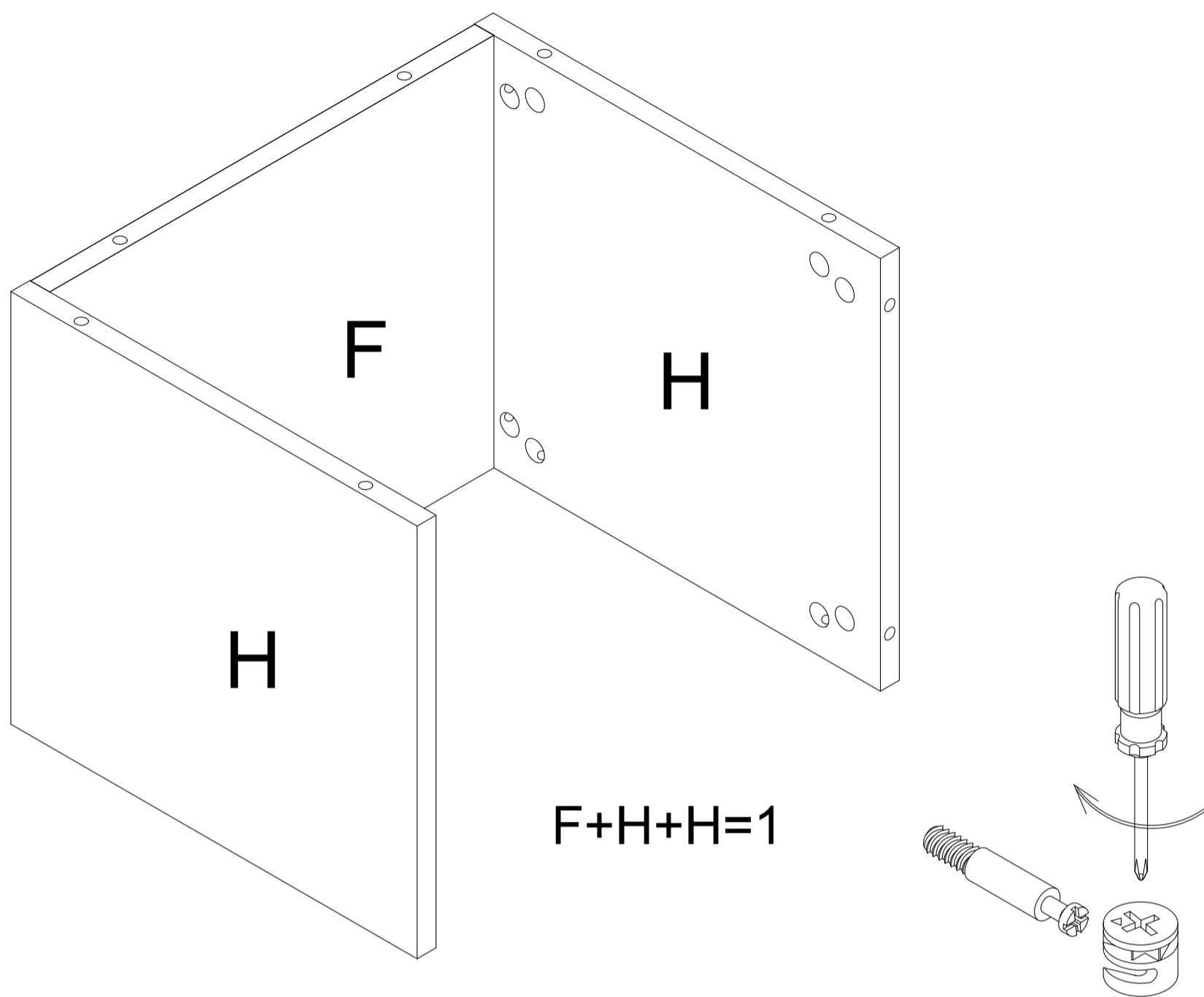
Assemble middle and upper part.

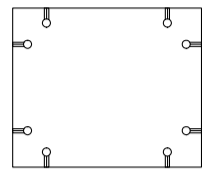
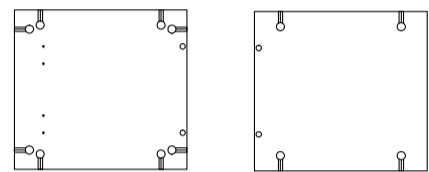
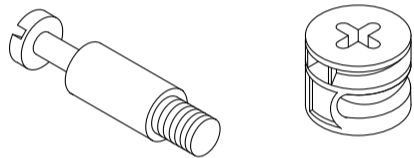


D	
	WHITE Middle board - II 1PC
1	
	4PCS
	
	$F+E+E=1$

Step 6.

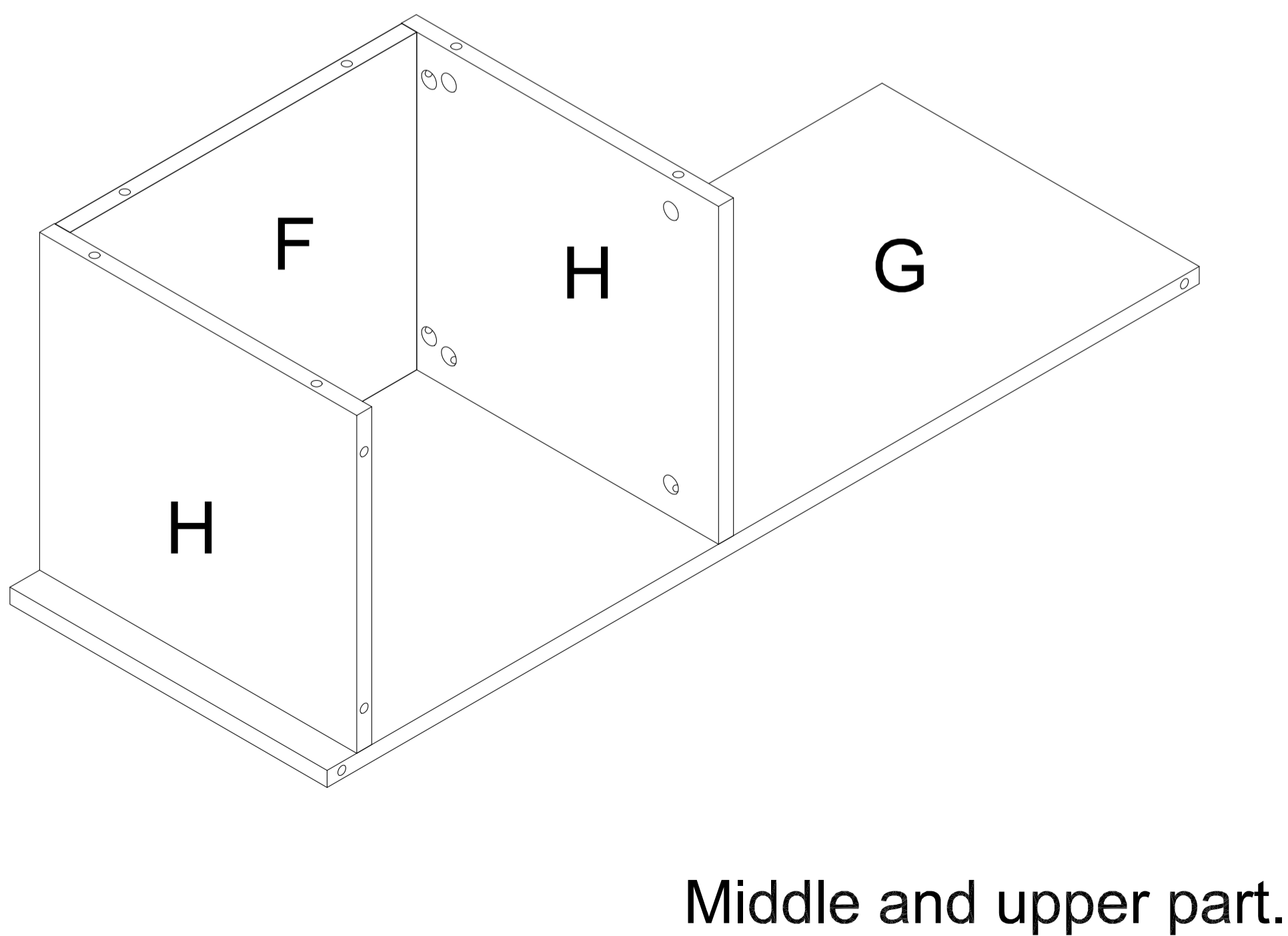
Link parts "F", "H" with hardware "1".

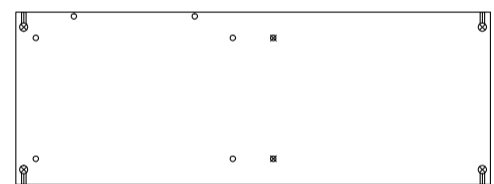
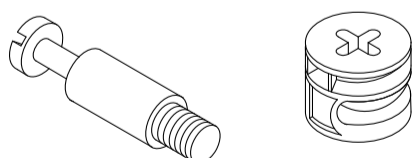
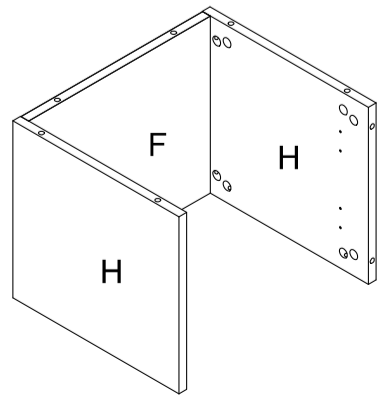


F	 <p>WHITE</p> <p>Backboard - II</p> <p>2PCS</p>
H	 <p>WHITE</p> <p>Central upright panel-III</p> <p>2PCS(L&R)</p>
1	 <p>4PCS</p>

Step 7.

Assemble middle and upper part.



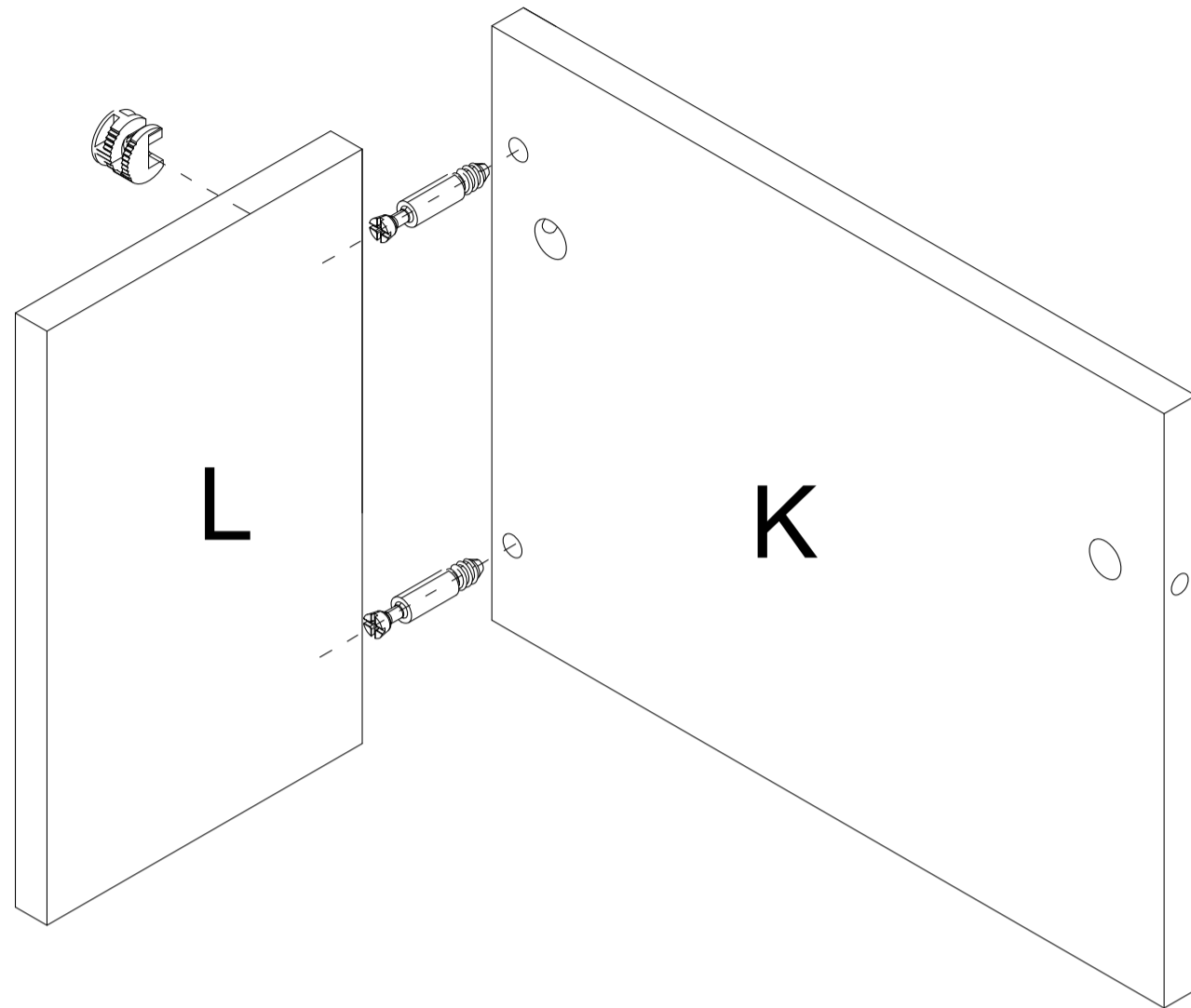
G	 <p>WHITE</p> <p>Middle board - III</p> <p>1PC</p>
1	 <p>6PCS</p>
	 <p>$F+H+H=1$</p>

Step 8.

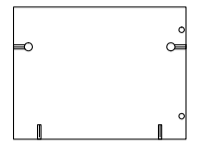
Assemble upper part.

8.1: Link parts "K", "L" with hardware "1".

8.2: Link parts "I", "J" with hardware "3".



K

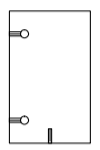


PINE

Central upright panel-V

1PC

L

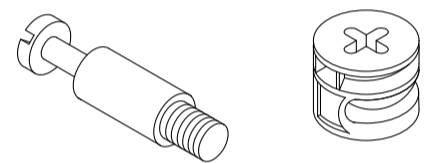


PINE

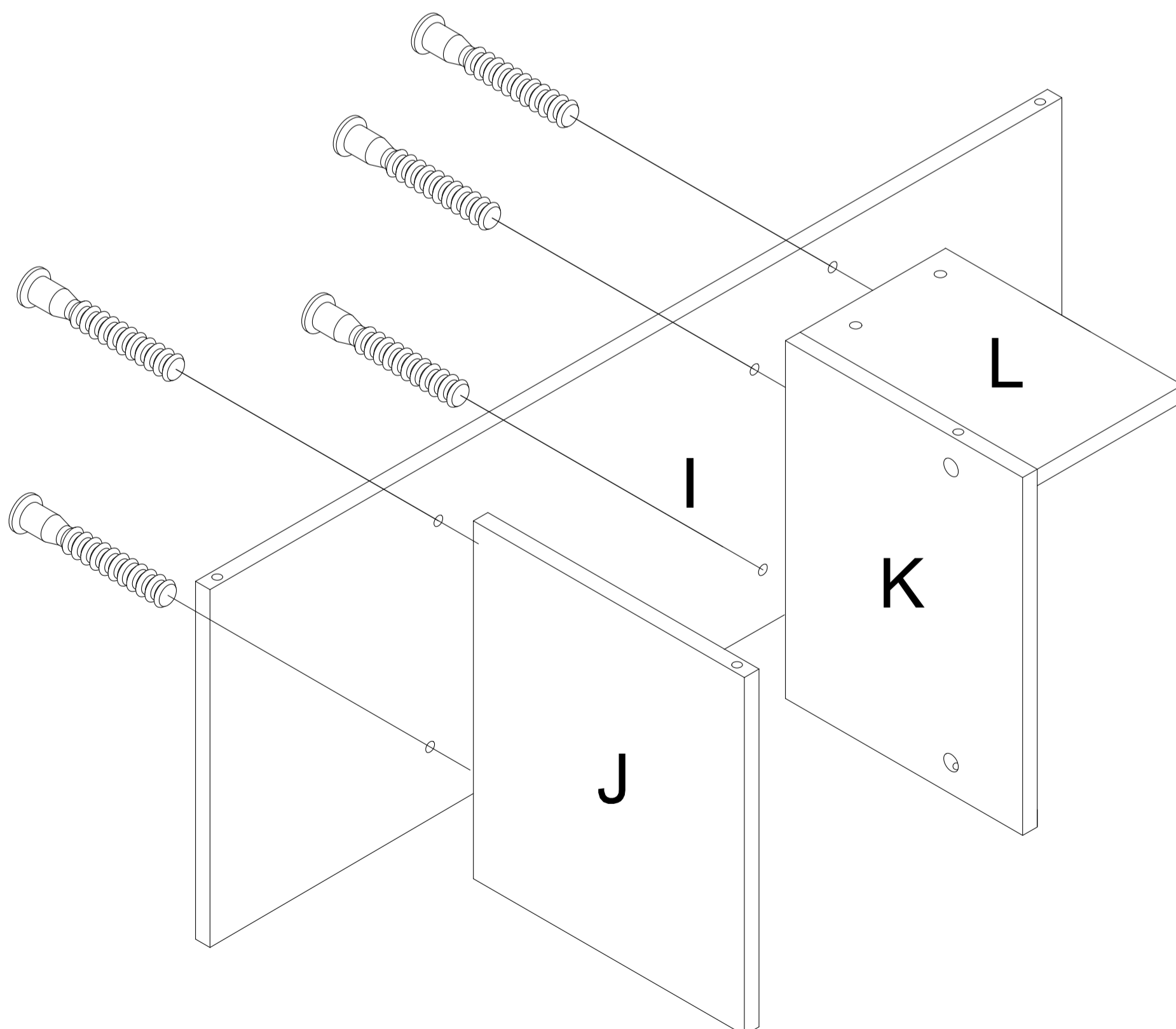
Central upright panel-VI

1PC

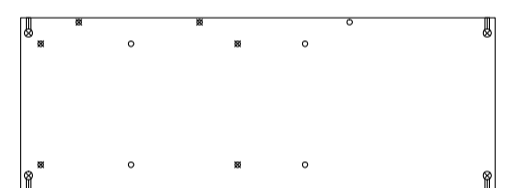
1



2PCS



I

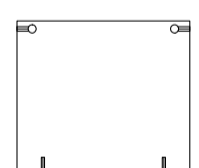


WHITE

Middle board - IV

1PC

J

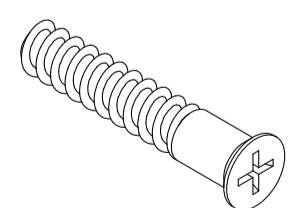


WHITE

Central upright panel-IV

1PC

3

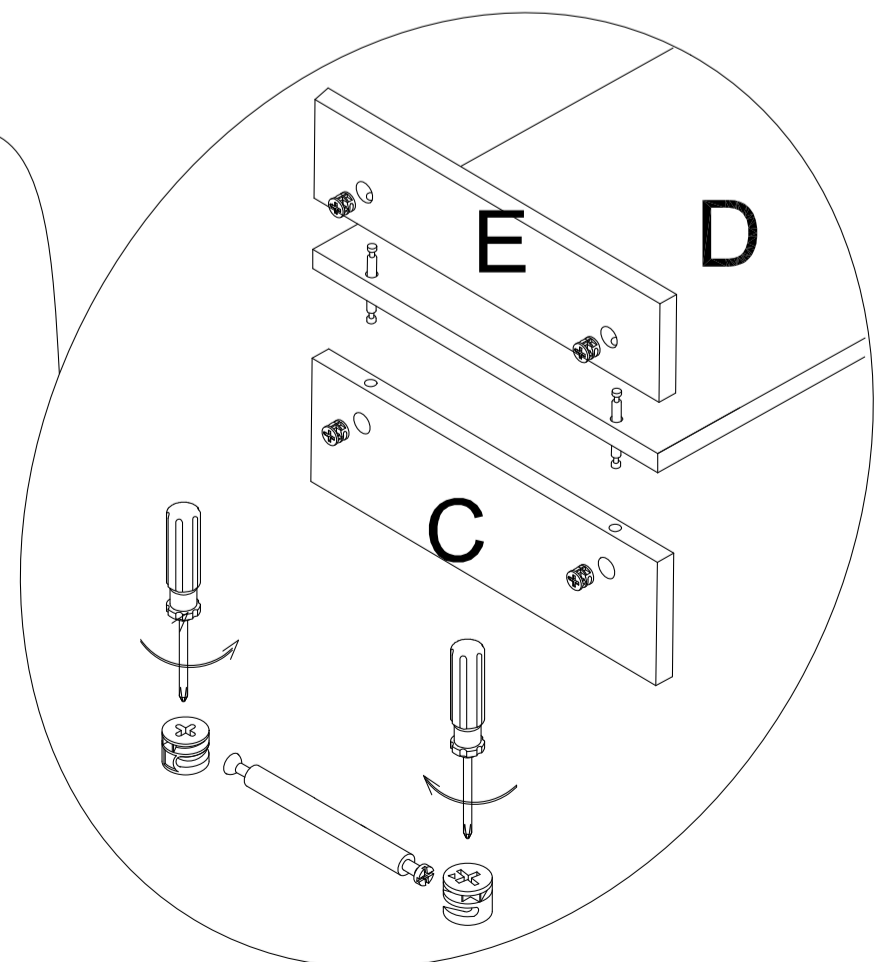
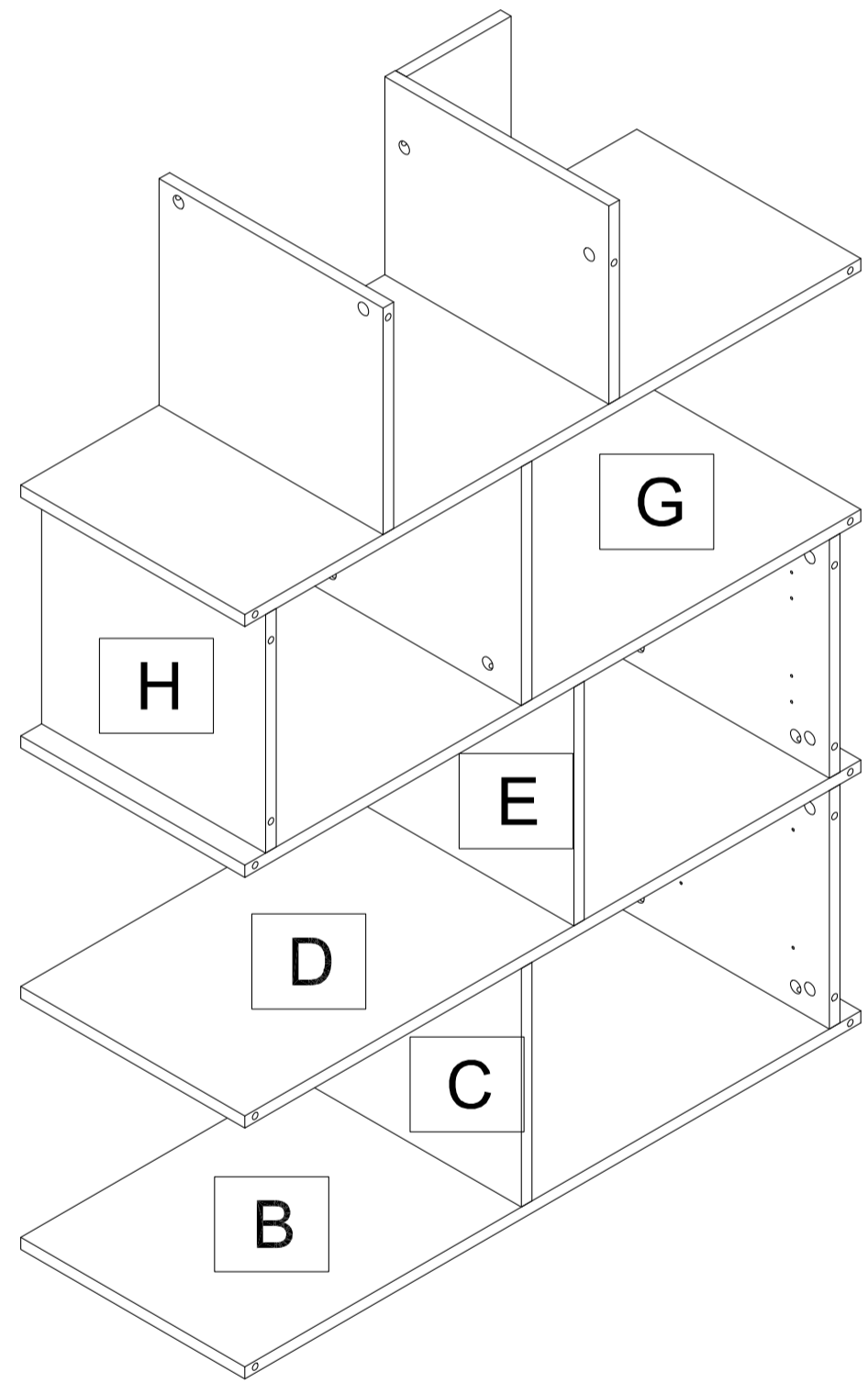
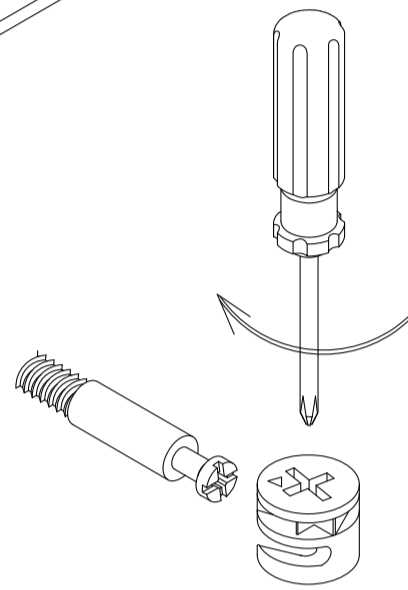
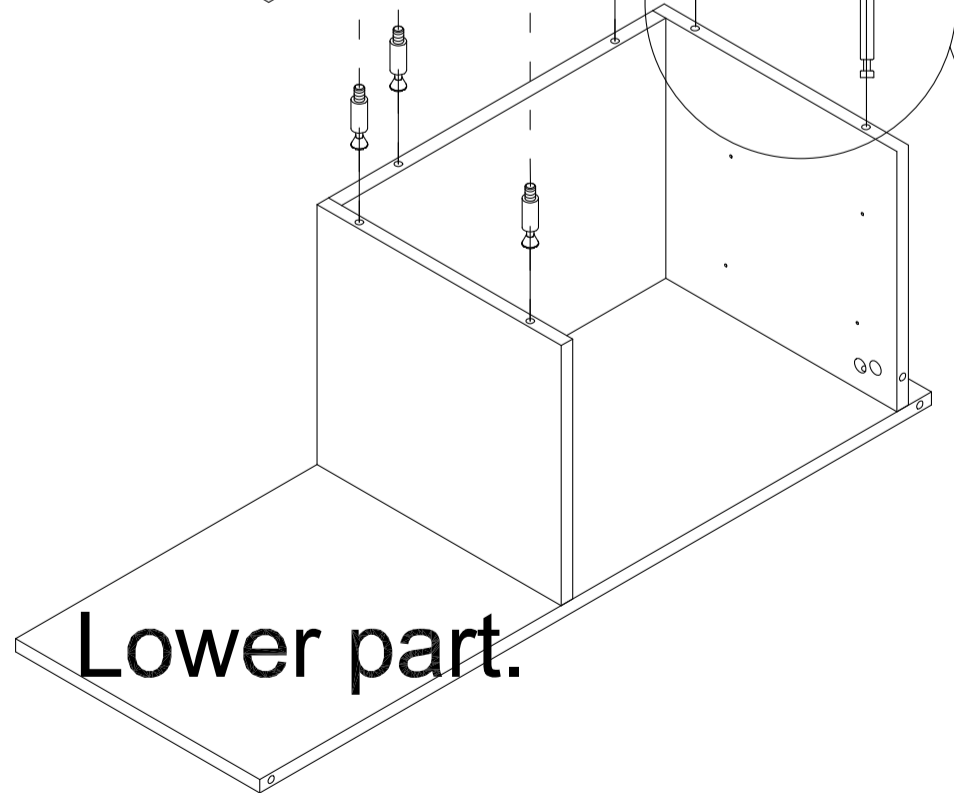
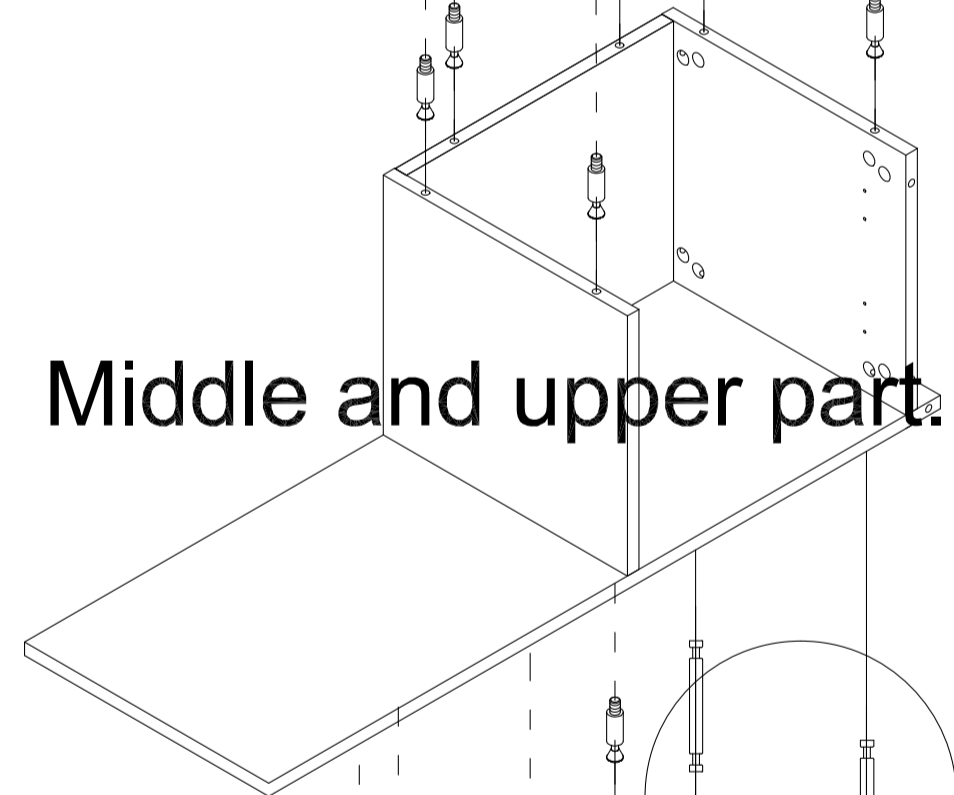
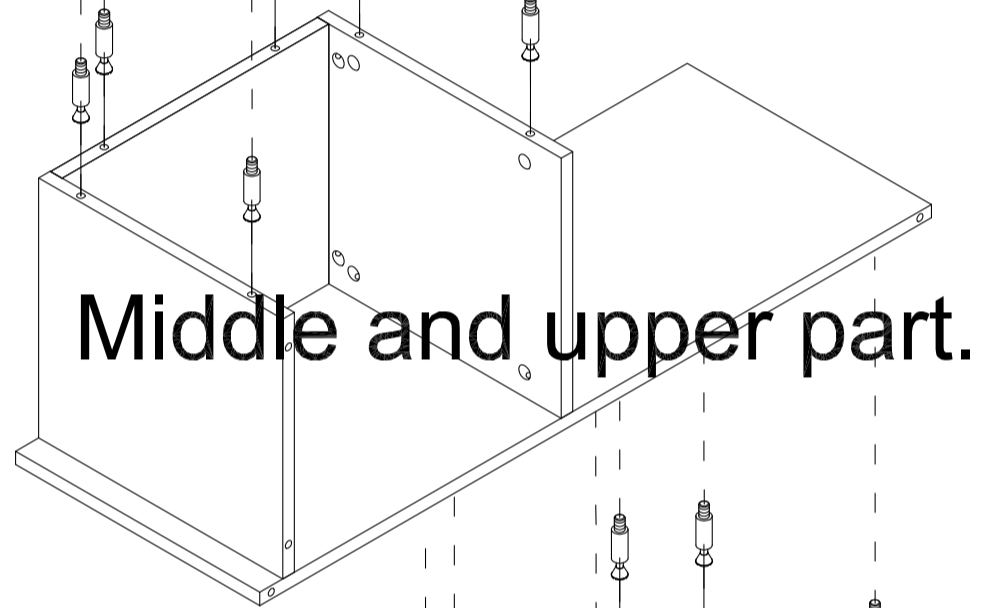
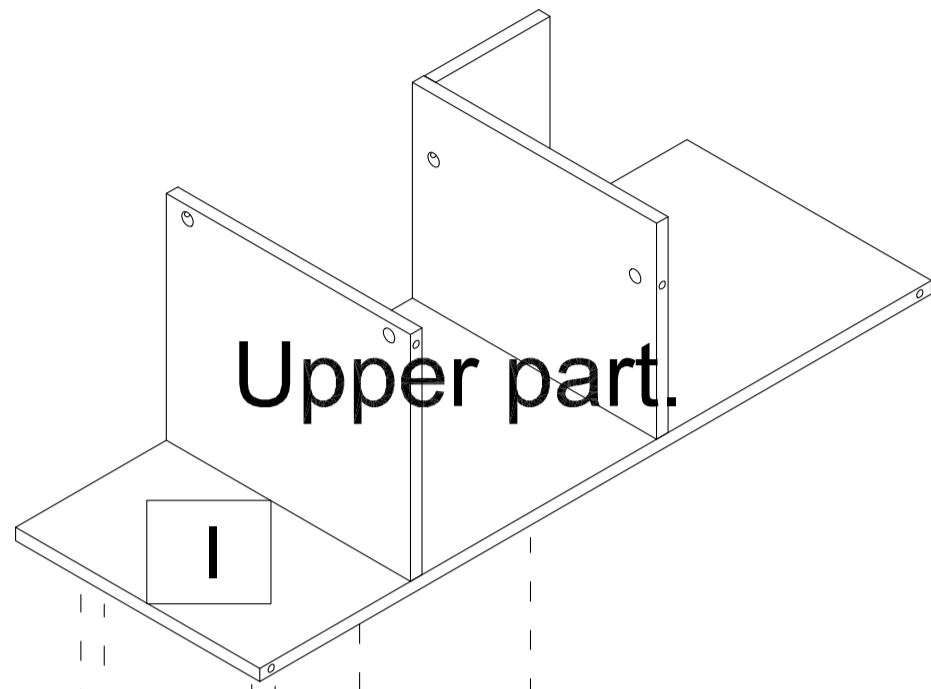


5PCS

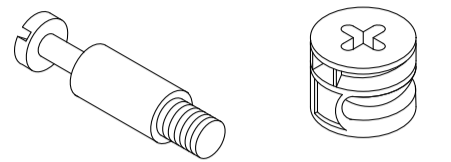
Upper part.

Step 9.

Assemble the cabinet body.
Link all the middle boards with hardware "1" & hardware "2".

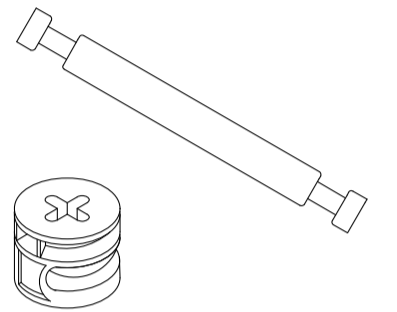


1



16PCS

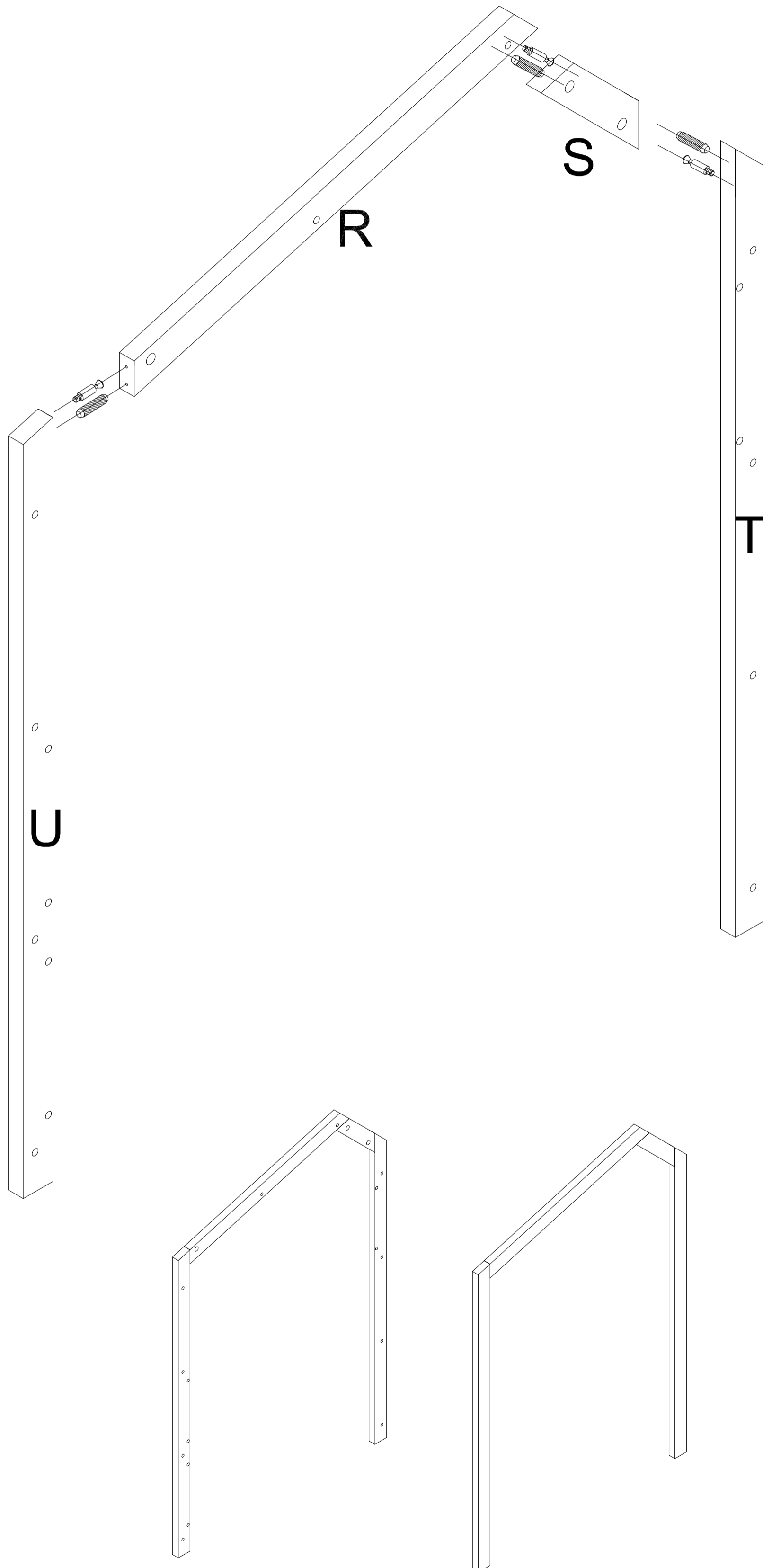
2

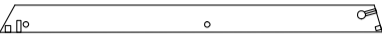
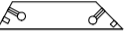

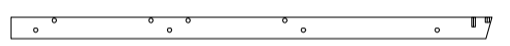
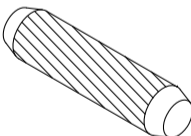
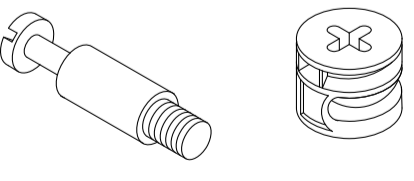


4PCS / 2PCS

Step 10.

Assemble solid wood exterior frame.
Link parts "R", "S", "T", "U" with hardware "1" & hardware "4".

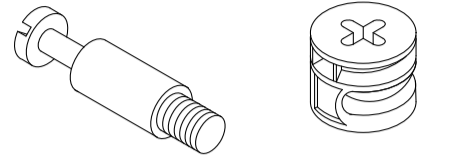


R	
	PINE Leg-I
	2PCS(L&R)
S	
	PINE Leg-II
	2PCS
T	
	PINE Leg-III
	2PCS(L&R)
U	
	PINE Leg-IV
	2PCS(L&R)
4	
	6PCS
1	
	6PCS

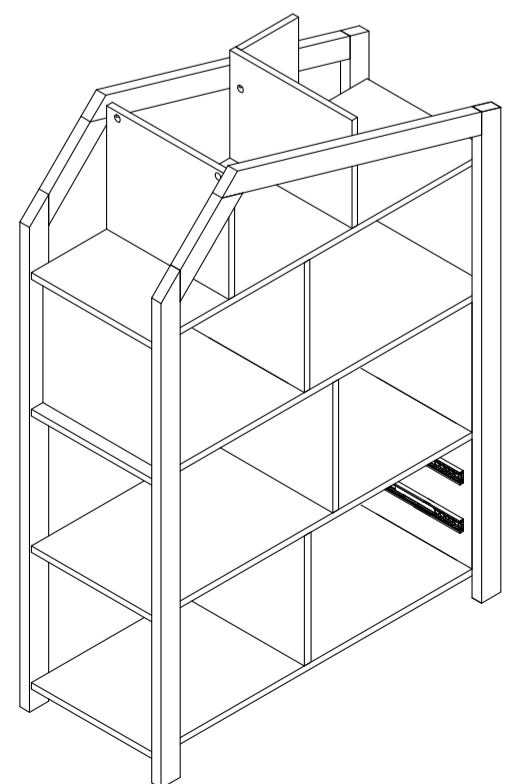
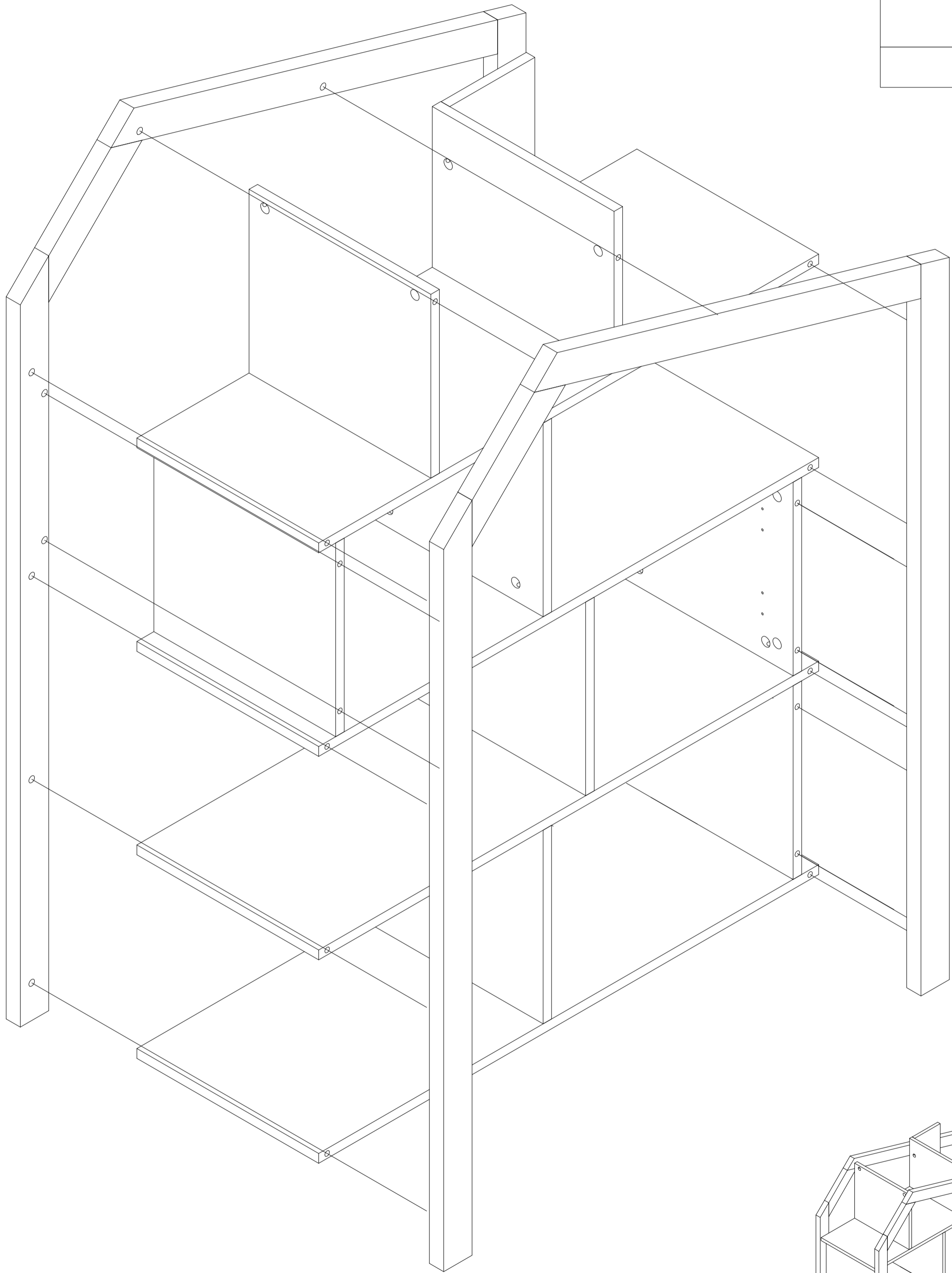
Step 11.

Assemble solid wood exterior frame.
Use a hardware "1" to link the solid wood frame to the cabinet body.

1

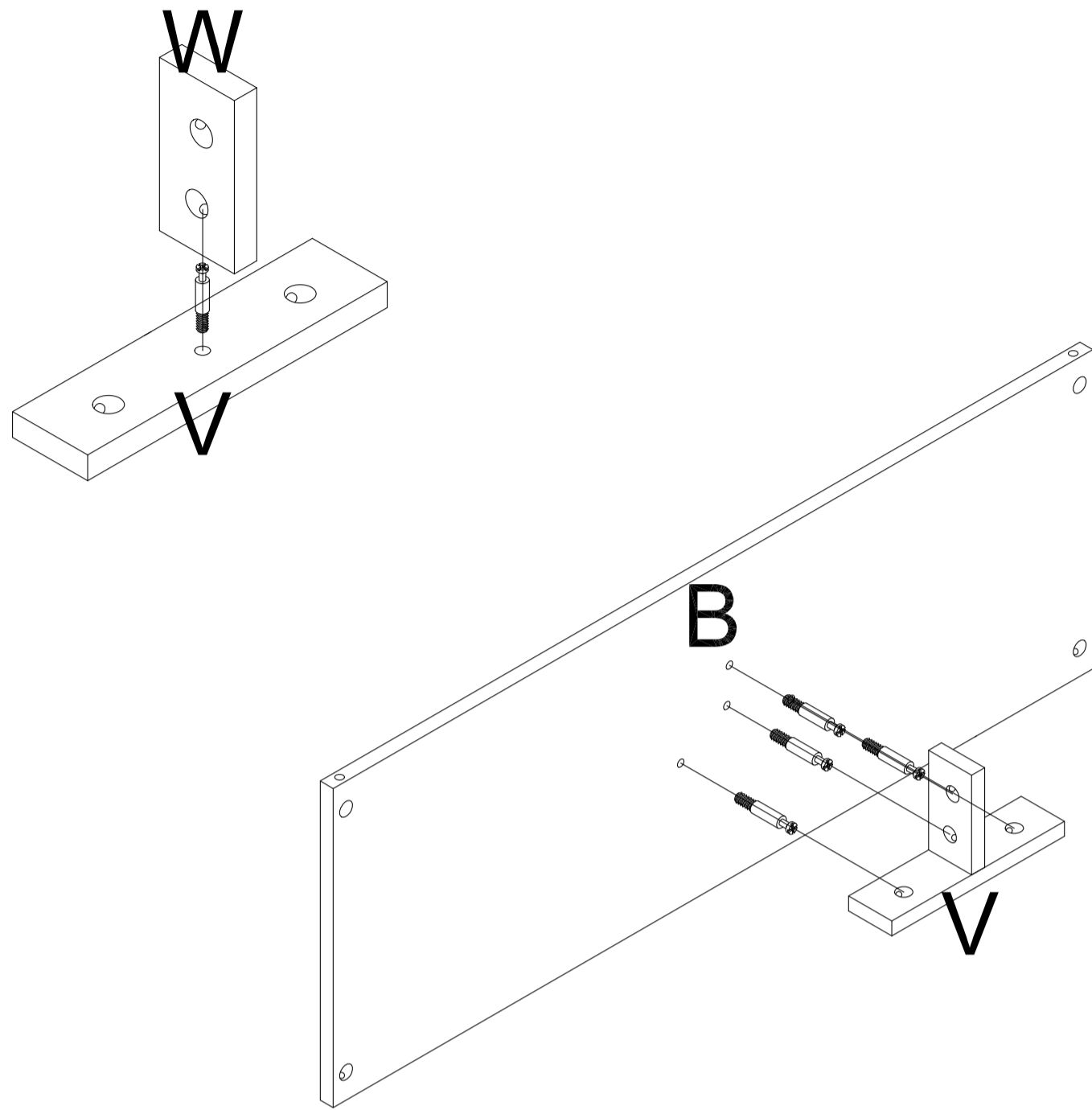



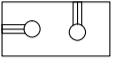
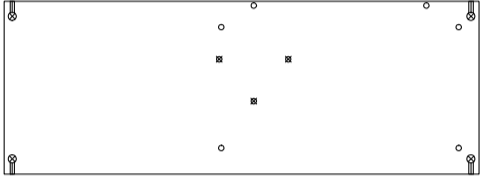
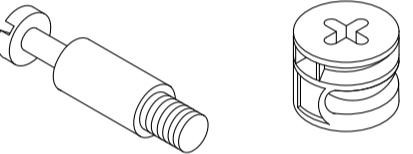
32PCS



Step 12.

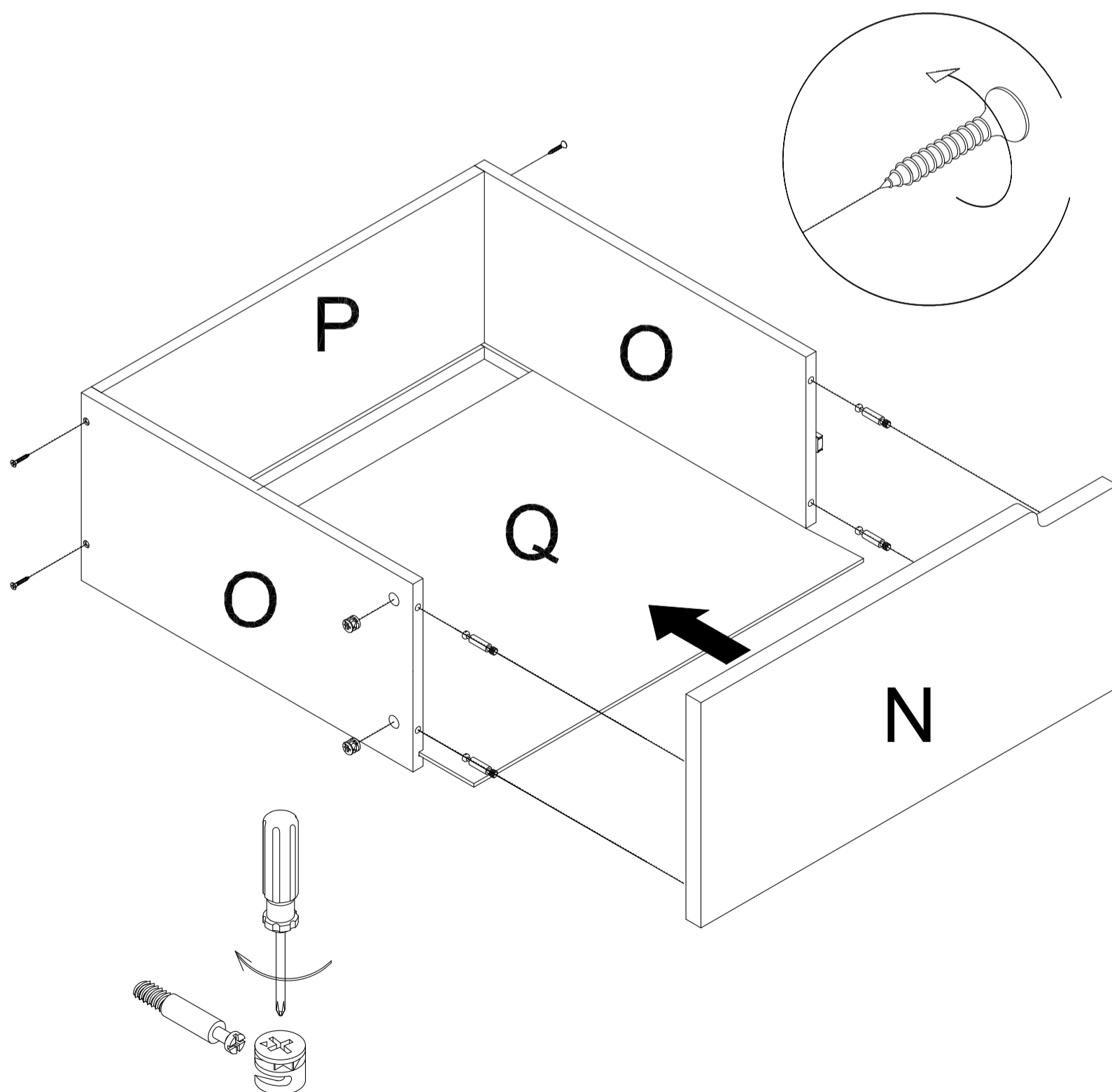
Assemble the base.
First link part "V", "M" with "1" hardware, then fasten part "K+L" to "J".





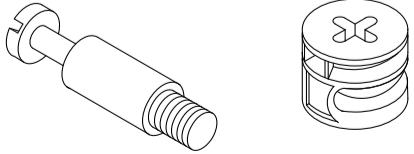
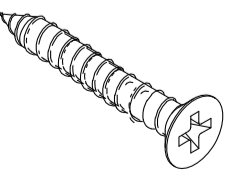


V		W	
	WHITE Leg-V		WHITE Leg-VI
	1PC		1PC
		B	
			WHITE Middle board - I
			1PC
		1	
			5PCS

Step 13.

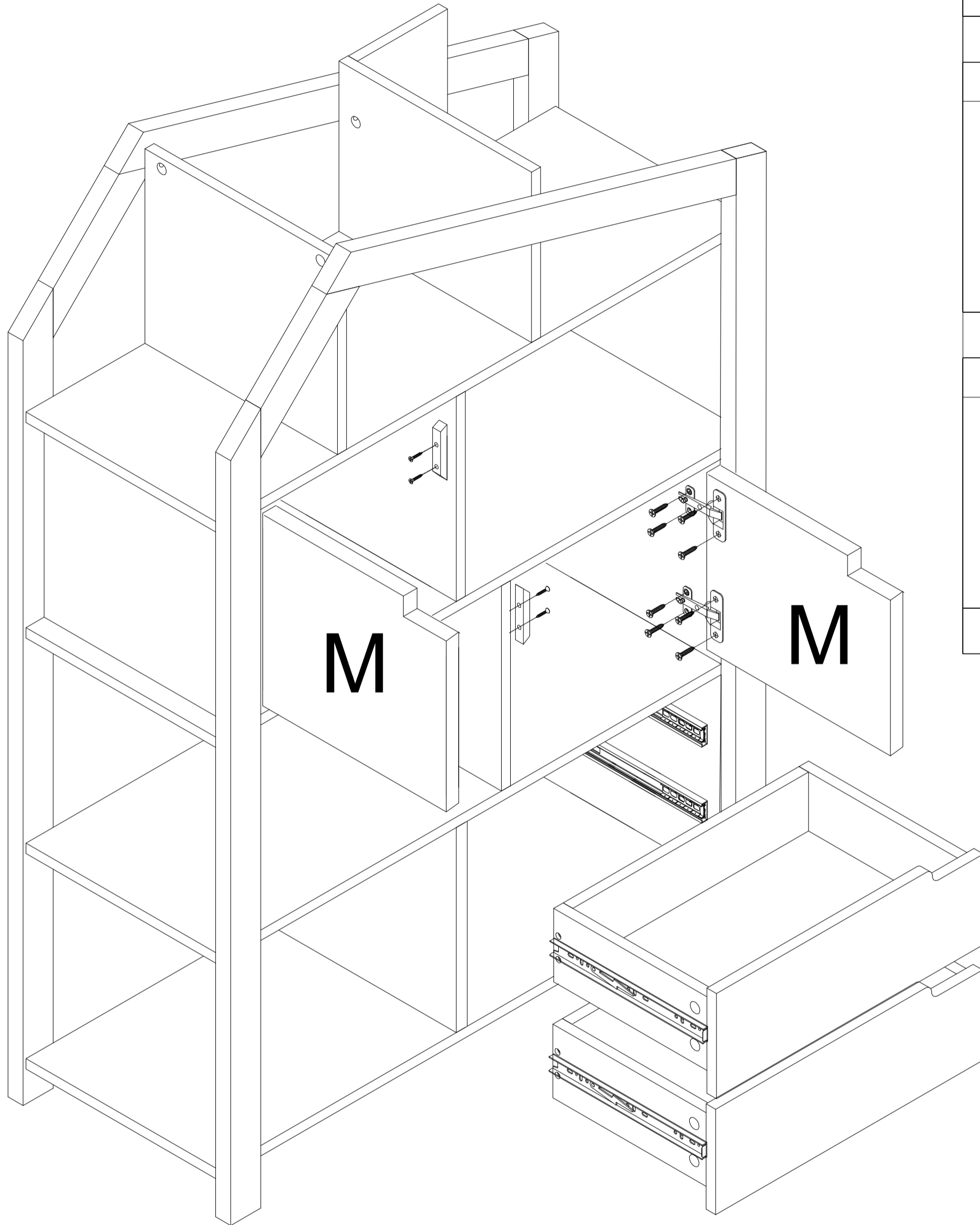
Assemble the changer.
First use hardware "1" to link part "N", "O", then put in part "Q", and finally use hardware "7" to link part "P" and drawer.

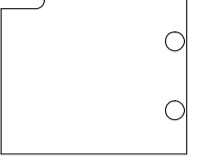
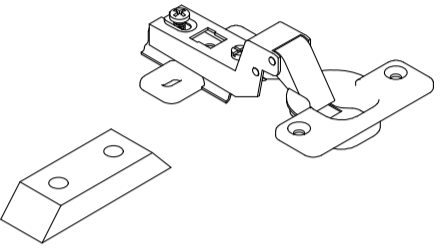
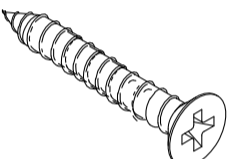


N		O	
	PINE Drawer Front		PINE Drawer Sides
	2PCS		4PCS(L&R)
P		Q	
	PINE Drawer Back		PINE Drawer Bottom
	2PCS		2PCS
1		7	
	8PCS		8PCS

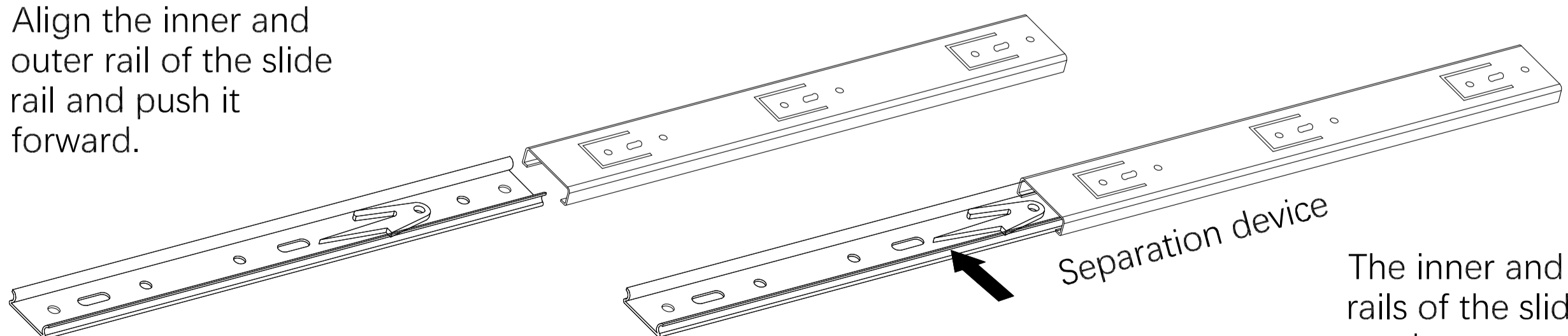
Step 14.

14.1: Assembled door.
14.2: Put the drawers in the cabinet body.



M	
	WHITE Door 2PCS
8	
	2PCS / 4PCS
7	
	20PCS

Align the inner and outer rail of the slide rail and push it forward.

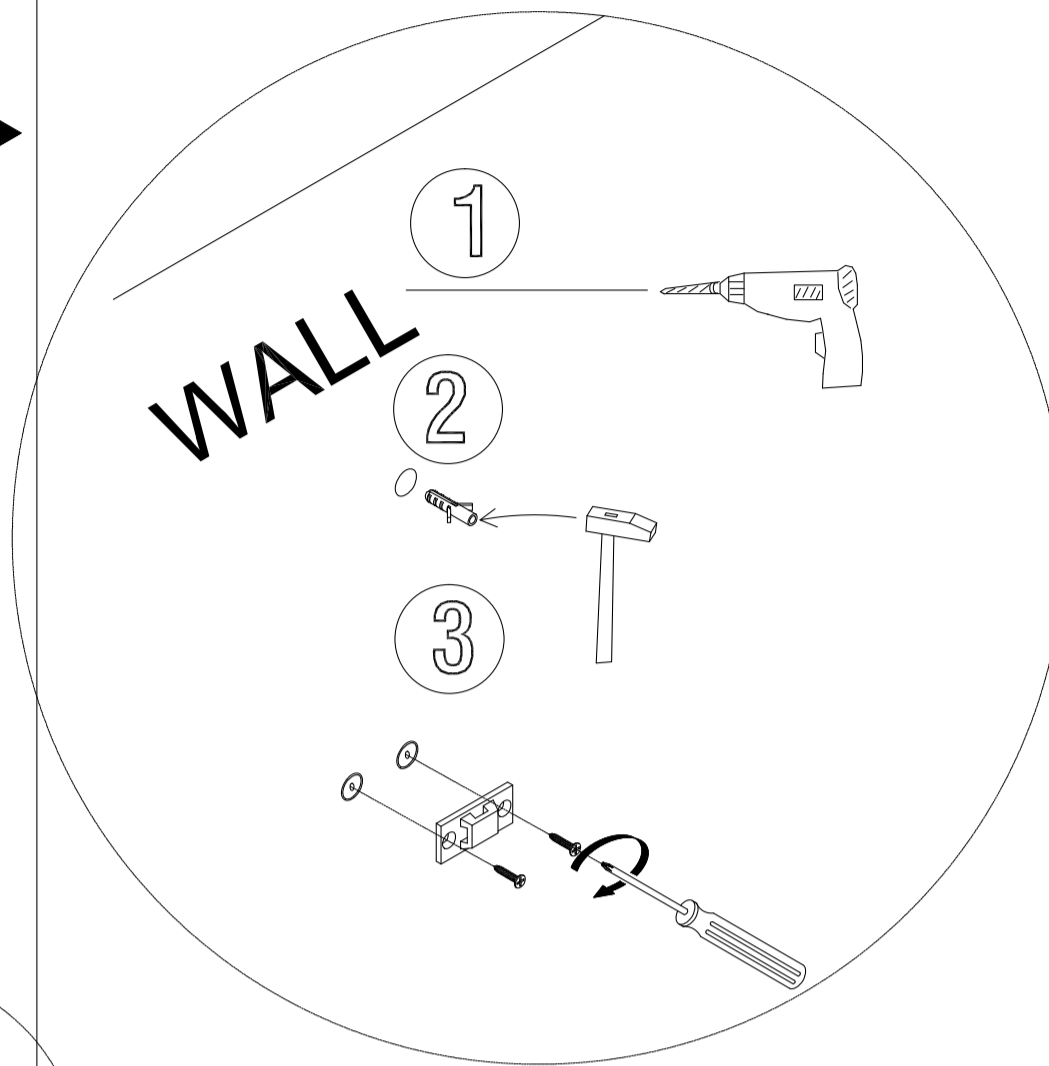
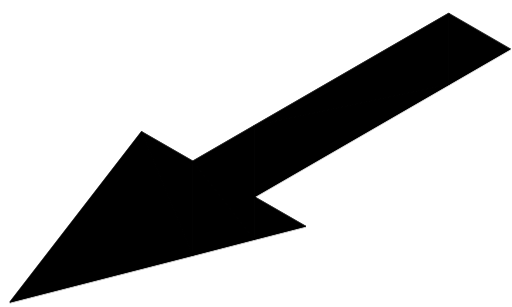
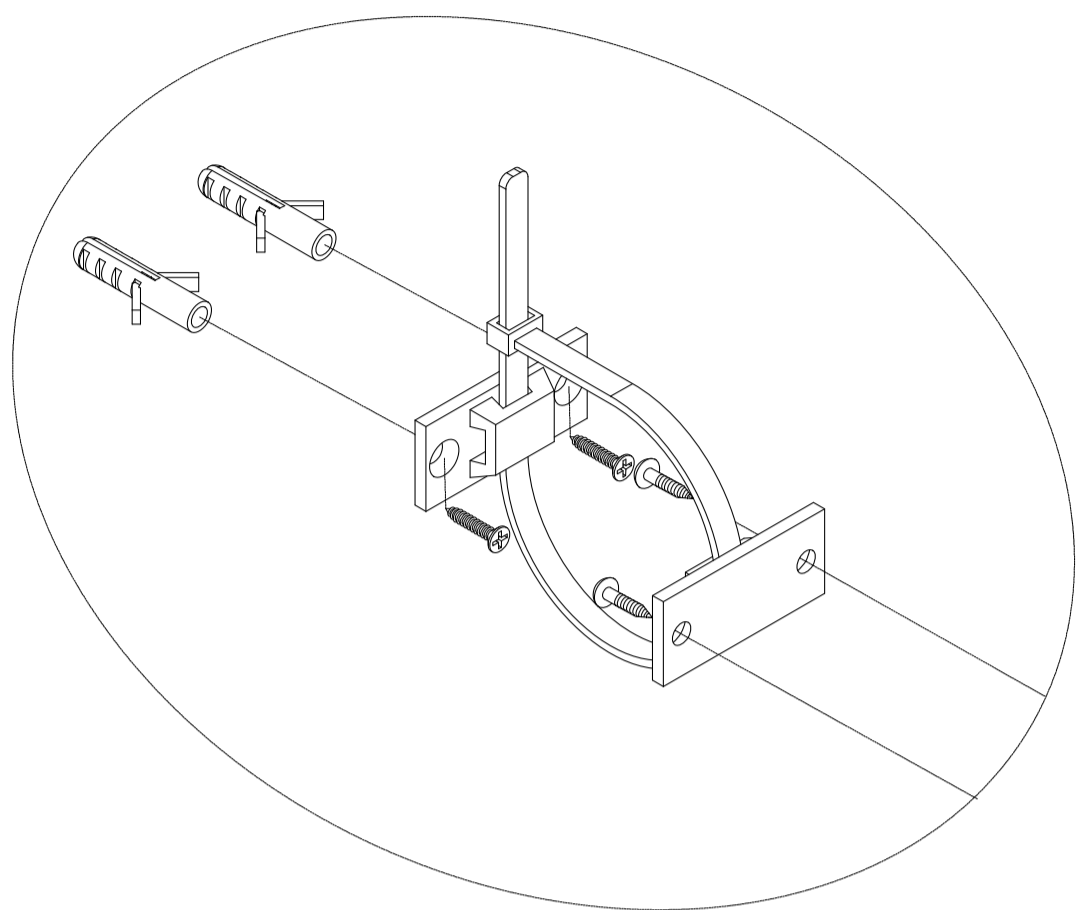


Separation device

The inner and outer rails of the slide rail can be separated by gently pulling the separation device.

Step 15.

Please fasten the furniture to the wall !!



WALL

WALL

Please fasten the furniture to the wall !!