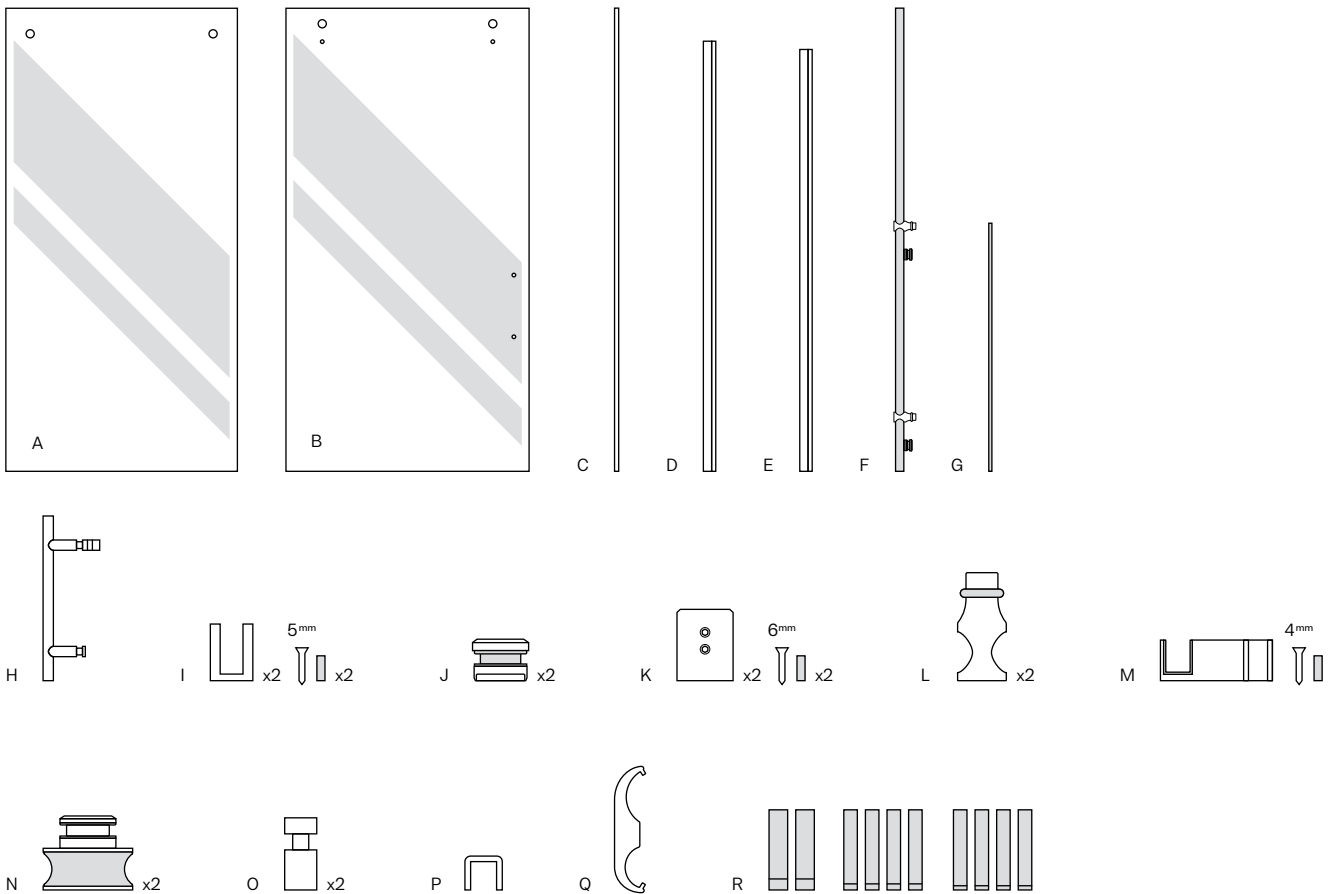


SLB-1520 - 1820

# Shower Screen Installation Guide

Wall to Wall Over Bath  
Sliding Shower Screen

**FUTUREGLASS**



**Included in your purchase** Shipped in 4 separate boxes

- |                                     |  |   |
|-------------------------------------|--|---|
| <b>A</b> Fixed Panel (B-SL-F)       | <b>H</b> Slider Panel Handle                           | <b>M</b> Floor Bracket & Screw            |
| <b>B</b> Slider Panel (B-SL-D)      | <b>I</b> Fixed Panel Clips, Screws<br>& Wall Anchors   | <b>N</b> Slider Panel Rollers             |
| <b>C</b> Slider Panel Edge Strip    | <b>J</b> Fixed Panel Brackets                          | <b>O</b> Roller Guides                    |
| <b>D</b> Slider Panel Weather Strip | <b>K</b> Shower Rod Brackets, Screws<br>& Wall Anchors | <b>P</b> Aluminum Floor Strip Cap         |
| <b>E</b> Fixed Panel Weather Strip  | <b>L</b> Slider Panel Stoppers                         | <b>Q</b> Roller Adjustment Tool           |
| <b>F</b> Shower Rod                 |  | <b>R</b> Rubber Block set (various sizes) |
| <b>G</b> Aluminum Floor Strip       |  |   |

# Thank you for your purchase.

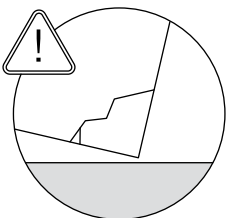
If for any reason you are having trouble with installation, or if the size of the product does not fit your designated space, please contact Future Glass directly and do not return this product to place of purchase. We will be able to exchange the panels or parts to suit your opening.

Future Glass takes pride in providing quality products and customer service. We want to ensure your happiness with your purchase for years to come. We have an extensive range of sizes, so no matter what your measurements are, Future Glass can supply the panel to fit!

If you have any questions, please do not hesitate to reach out to us. Thank you again for choosing Future Glass!

Best Regards,

The Team at Future Glass  
[www.futureglass.com.au](http://www.futureglass.com.au)  
[futureglass@aquilia.com.au](mailto:futureglass@aquilia.com.au)

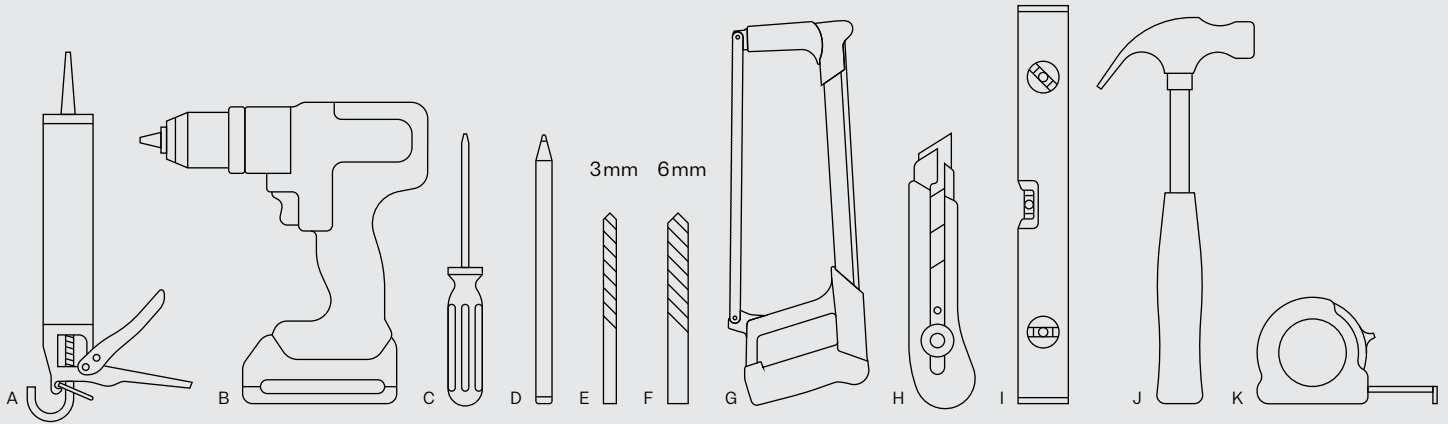


**Caution:** The most fragile parts of tempered glass panels are the corners. Therefore, it is critical you have the rubber blocks in place so the glass never touches the tile surface you are installing onto. Please make sure the glass is always on cardboard packaging or rubber blocks while out of the packaging prior/during install. Rubber block is provided in your hardware pack however you can use wood, cardboard or other rubber products to protect against breakage.



**Attention installer:** A light haze or smudging may be present on the coated glass panels upon delivery. This is easily removed with denatured or isopropyl alcohol and a good quality microfiber cloth, followed by a rinse of water. This can be done before or after installation.

# Installation Guide



---

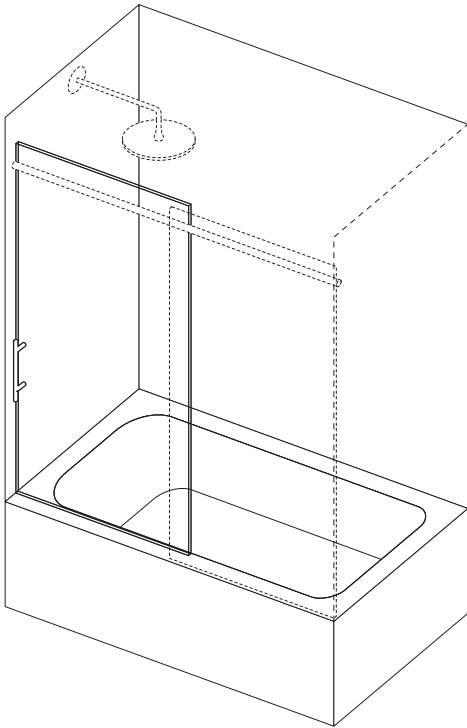
## Tools required for install.

- |                                    |                        |
|------------------------------------|------------------------|
| <b>A</b> Silicone and caulking gun | <b>G</b> Hacksaw       |
| <b>B</b> Power drill               | <b>H</b> Utility knife |
| <b>C</b> Phillips head screwdriver | <b>I</b> Level         |
| <b>D</b> Pencil                    | <b>J</b> Hammer        |
| <b>E</b> 3mm tile drill bit        | <b>K</b> Tape measure  |
| <b>F</b> 6mm tile drill bit        |                        |

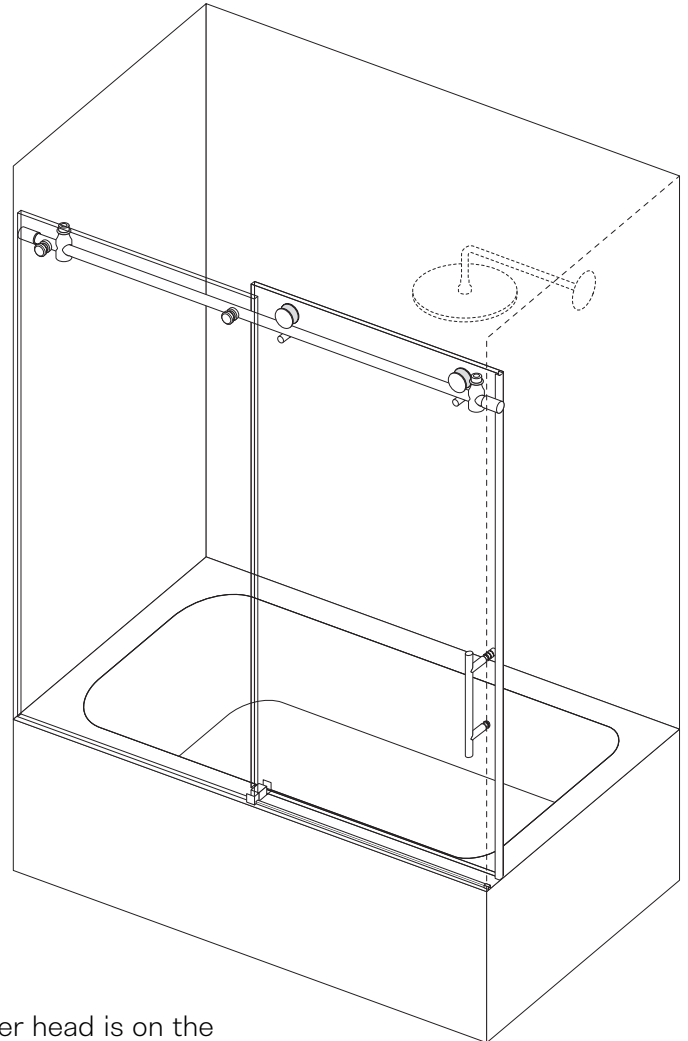
**Note:** Silicone is not provided and will need to be purchased separately. We recommend using a clear, mold resistant silicone which can be purchased at your local hardware store.

# Before You Start

- Confirm that you have the correct model size. See table below to insure that the model you received will fit your shower opening.
- Choose which side of your shower to install the Slider Panel (Sliding Door): Future Glass highly recommends installing the sliding shower door on the same side as your shower head. This will help to prevent water leaking from the gap between the two glass panels.



If your shower head is on the left, the Slider Panel should be installed on the left side.



If your shower head is on the right, the Slider Panel should be installed on the right side.

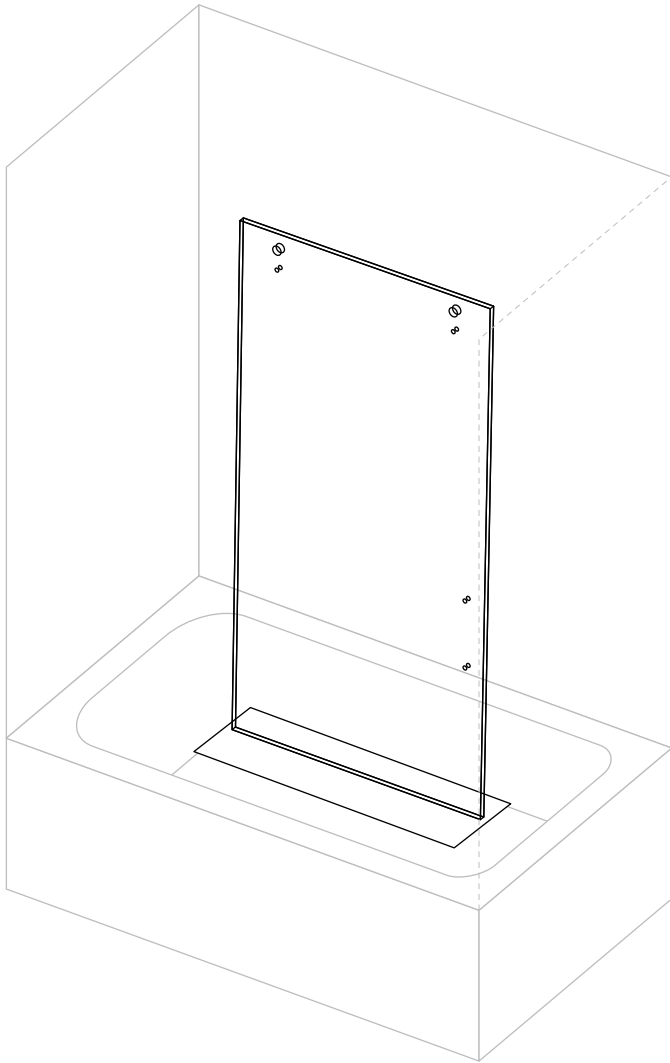
---

## Confirm you have the correct model size.

Model numbers and corresponding size range:

SLB-1520 = 1420-1520mm

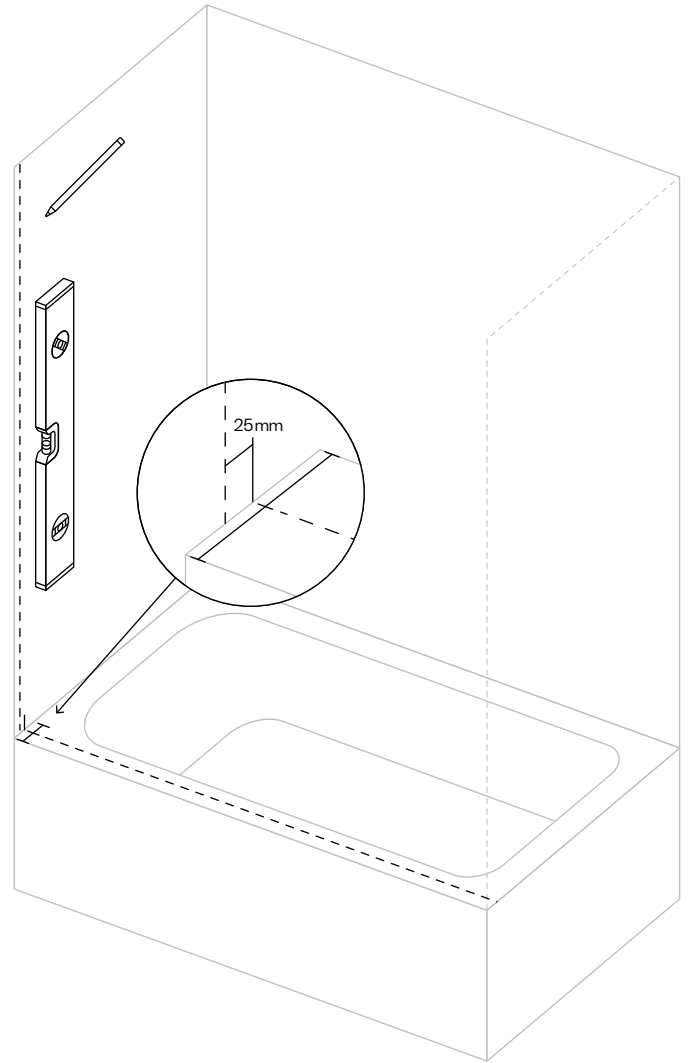
SLB-1820 = 1720-1820mm



01

### Place Slider Panel inside shower.

Before starting the installation process, place Slider Panel inside the shower on cardboard to protect the bottom of door. Be sure to face handle holes toward wall door closes to. This will make it easier for installation at later stage once fixed panel and bar has been set in place.



02

### Mark the threshold and Fixed Panel wall.

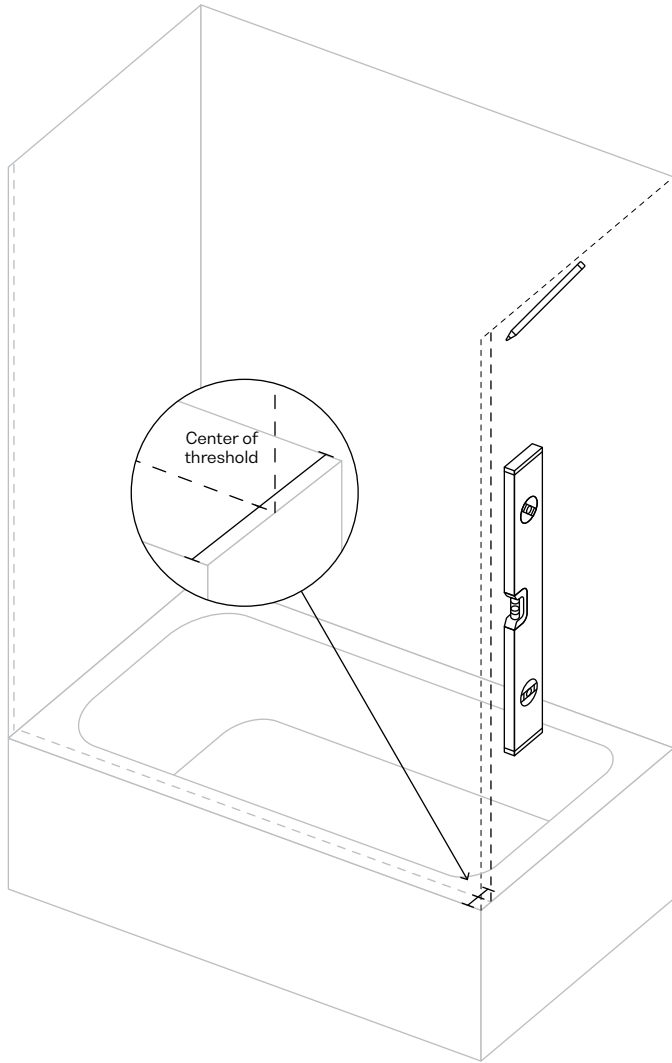
Measure the width of threshold tile where shower door is to be installed, this needs to be a minimum of 70mm to install this model shower enclosure. On the wall where the Fixed Panel is to be placed, measure to the center of the threshold tile. From here measure towards the outer edge of the threshold 25mm and mark the wall with a pencil. Using a level, draw a line up the wall at this point.

**Important:** If installing an enclosure with fiberglass walls, a stud *must* be directly behind where the panel will be installed.



**Tip:** We recommend using a pencil so this can be easily removed.

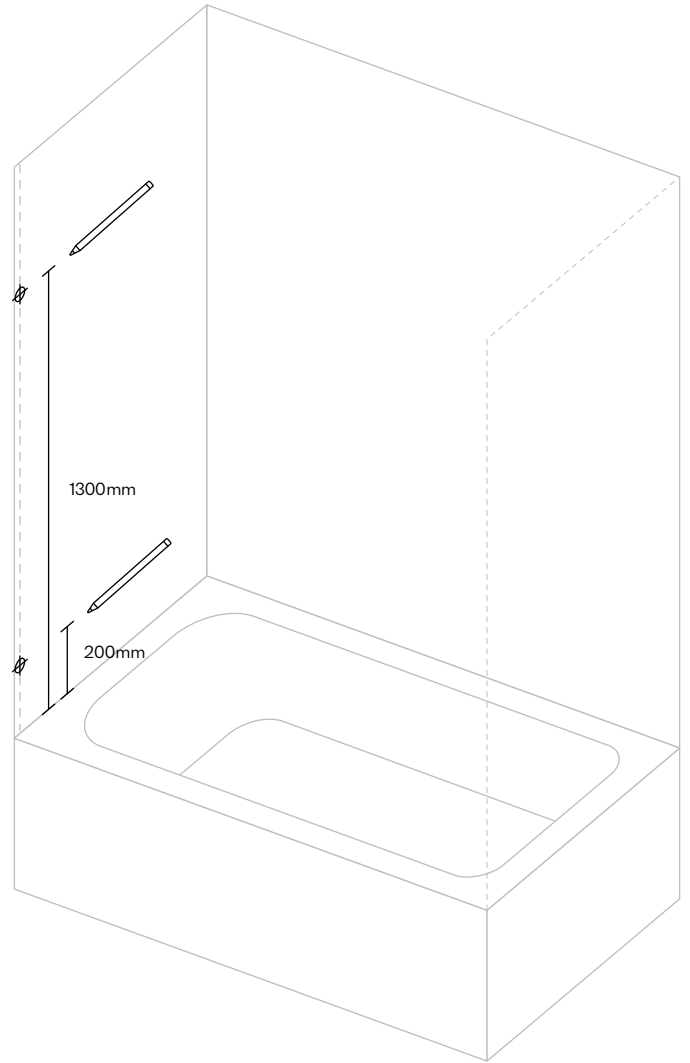




03

**Mark the vertical line on Slider Panel wall.**

On the opposite wall where the Slider Panel will close towards, measure to the center of the threshold tile and draw a vertical line using a level. This line will be a guide to install the Shower Rod



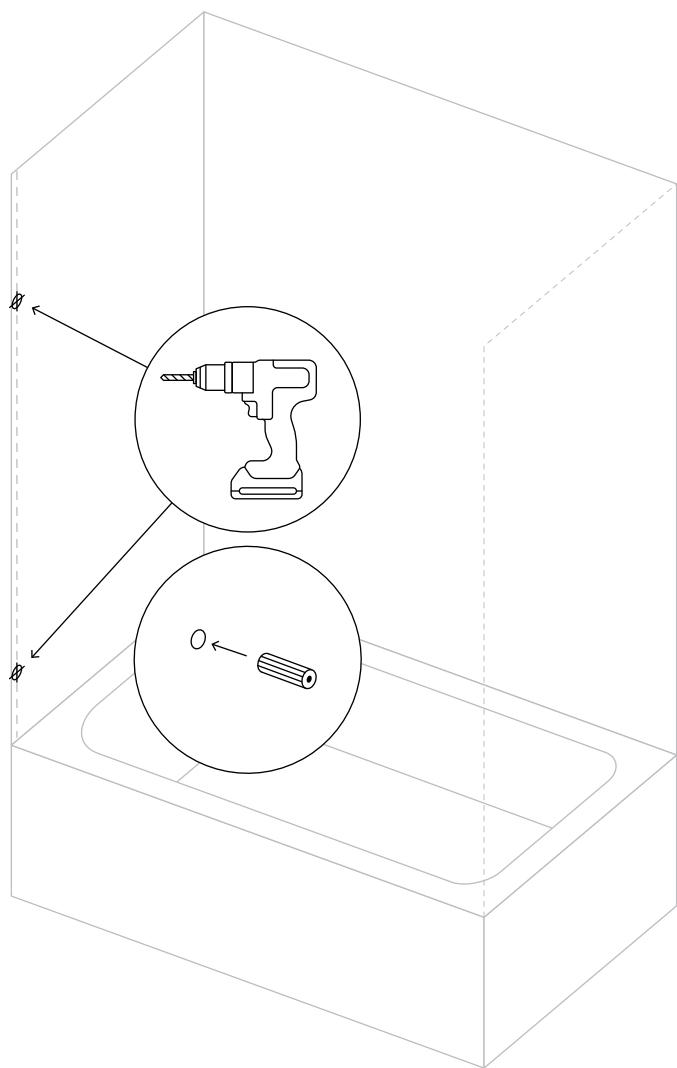
04

**Mark the holes to drill on Fixed Panel wall.**

Along the drawn level line, mark 200mm and 1300mm from bathtub or threshold.

**Important:** There is stamp on the corner of all Future Glass glass panels to certify it is tempered safety glass. We recommend that panels be installed with the stamp at the bottom corner closest to the wall where it is less noticeable. On Door Panels, the stamp must be at the bottom of your enclosure to align properly. Note: the stamp is baked on during the tempering process and cannot be removed.





05

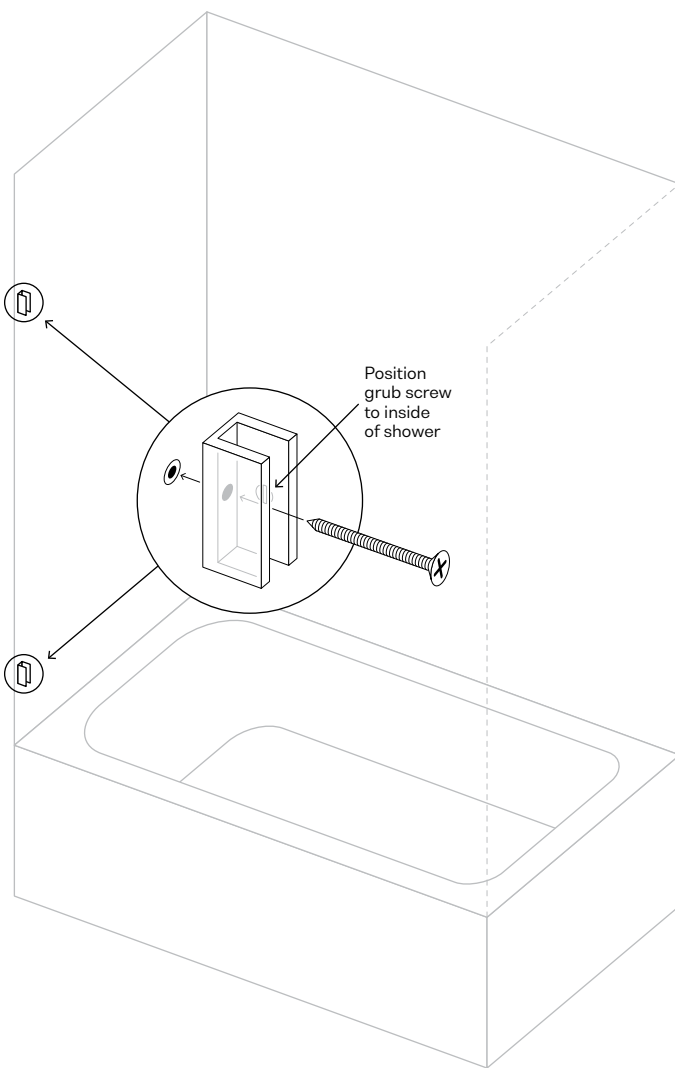
### Drill holes for Wall Clips.

Using a 6mm drill bit, drill holes and install the wall anchors. Trim excess from the wall anchors hanging out of hole with utility knife so clips sit flush to wall.

If the shower wall is fiberglass, use a 3mm drill bit for the wall holes. You will not use the green Anchor but rather screw the Wall Clips directly into the fiberglass shower wall.

**Important:** If installing an enclosure with fiberglass walls, a stud *must* be directly behind where the panel will be installed.

A 3mm tile drill bit can be used to create pilot holes for a tiled enclosure, but this is optional.



06

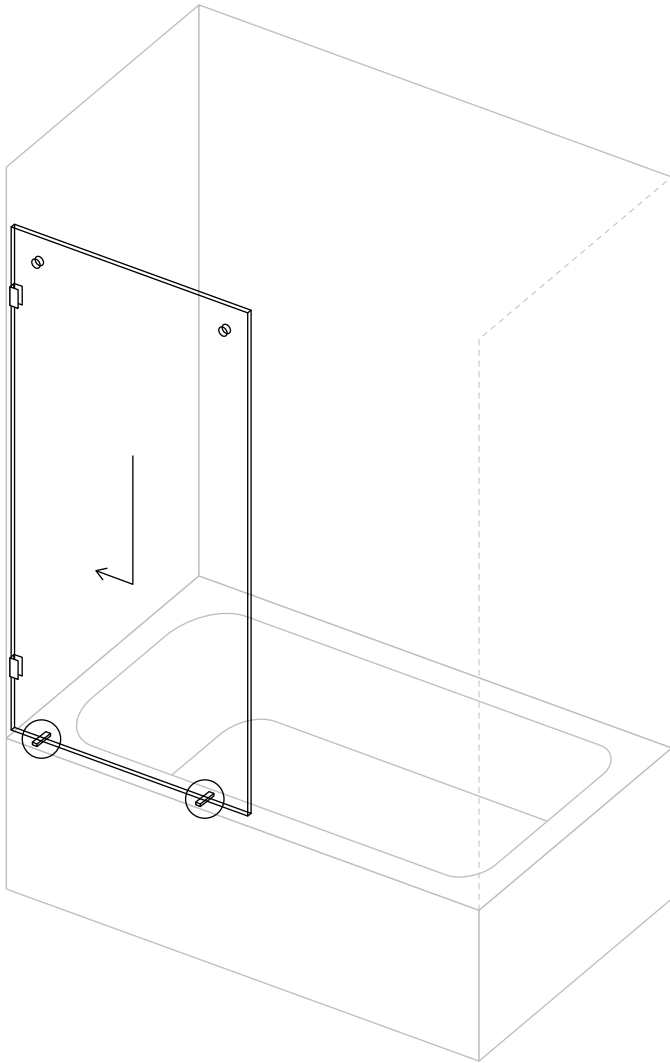
### Fix Wall Clips for Fixed Panel.

Place Wall Clips over holes and drill in screws to secure the Clips. Be sure grub screws on Clips are facing the shower interior. Make sure the clips are securely tightened to the wall.

**Important:** Grub screws in Clips must have rubber tips so it can contact glass panel without damage. Please contact us if grub screws are missing rubber tips.





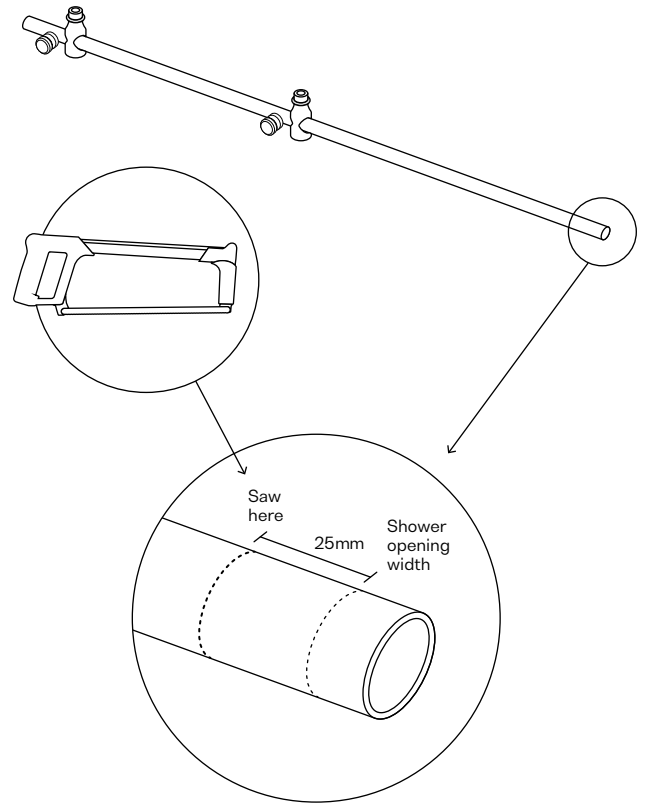


07

### Set the Fixed Panel in place.

Measure the width of the Fixed Panel and place the 3mm thick Rubber Blocks provided 75mm in from each end where the glass panel will sit on the bathtub/threshold. Gently place the glass panel down on the Rubber Blocks and slide glass into the Wall Clips. Check to make sure the glass is level. If not, adjust by adding thinner 1mm Rubber Blocks to the blocks already on the bathtub/threshold. Once level, tighten the grub screws very tight on the Wall Clips.

**Tip:** Use additional Rubber Blocks on either existing blocks to raise/drop the fixed panel if required.



08

### Measure and cut Shower Rod.

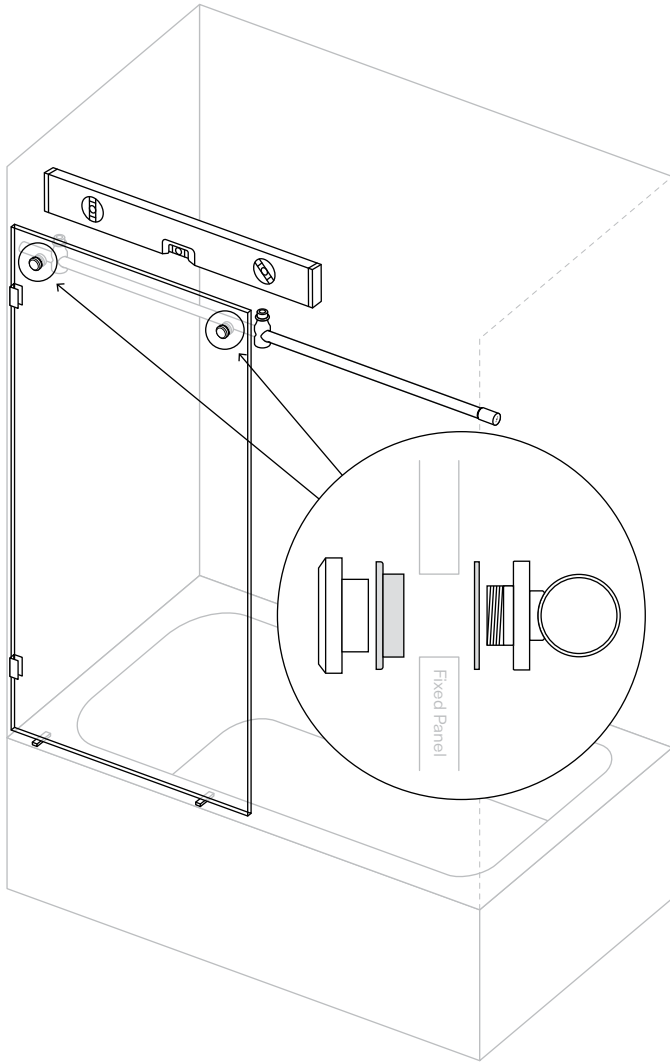
**Important:** You must cut rod at opposite end from the Fixed Panel brackets.



Measure your opening width. Subtract 25mm from this measurement and then measure out this distance from the opposite end of the Shower Rod. For example: If your opening measurement is 1450mm your rod length should be 1425mm. Use a hacksaw and cut your Shower Rod to the correct length.

### Model numbers and corresponding size range:

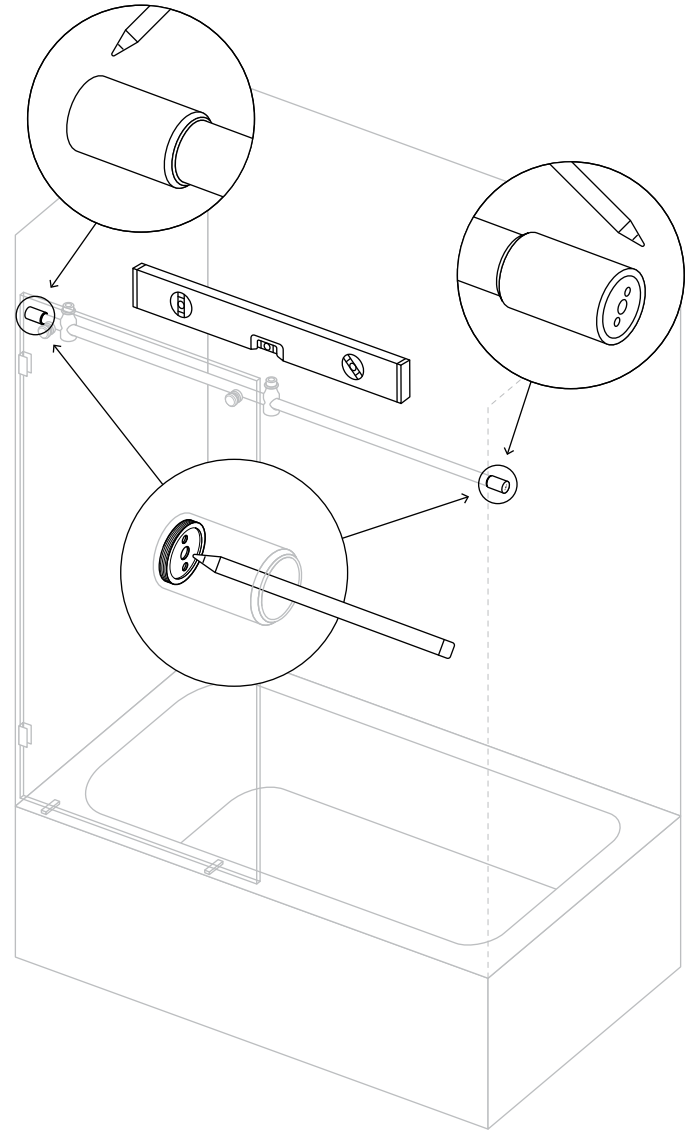
SLB-1520 = 1420-1520mm  
 SLB-1820 = 1720-1820mm



09

**Install the Fixed Panel Brackets on Shower Rod.**

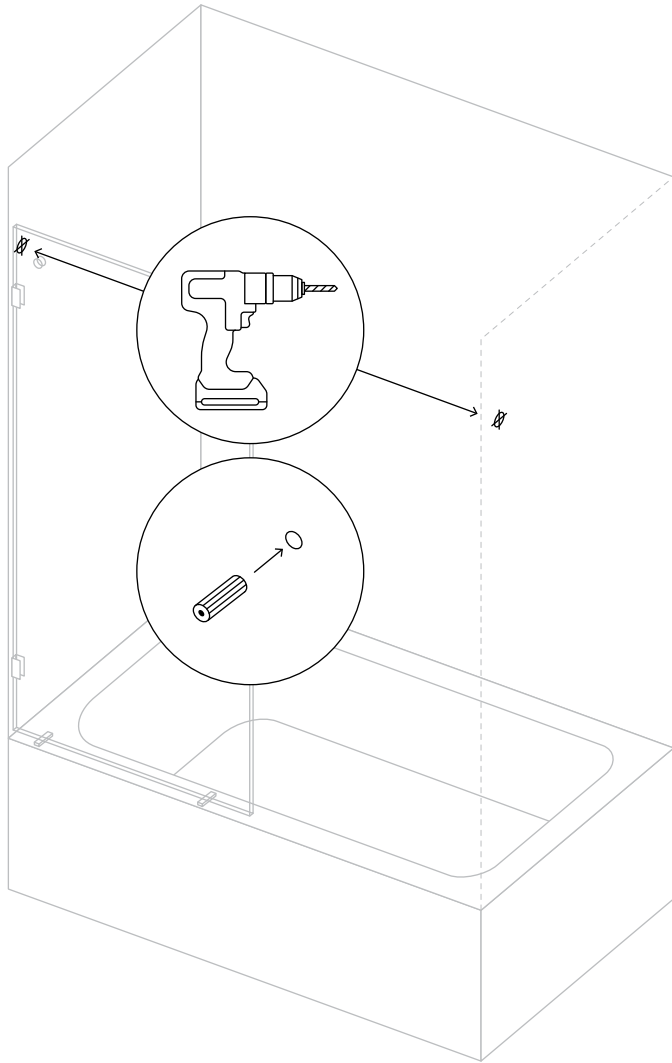
Install the brackets on Shower Rod into the holes on the Fixed Panel. If the brackets do not line up perfectly with the holes in the glass, you can loosen the allen bolt on the bracket to adjust it side to side to suit the holes in the glass.



10

**Level Shower Rod and mark holes to drill.**

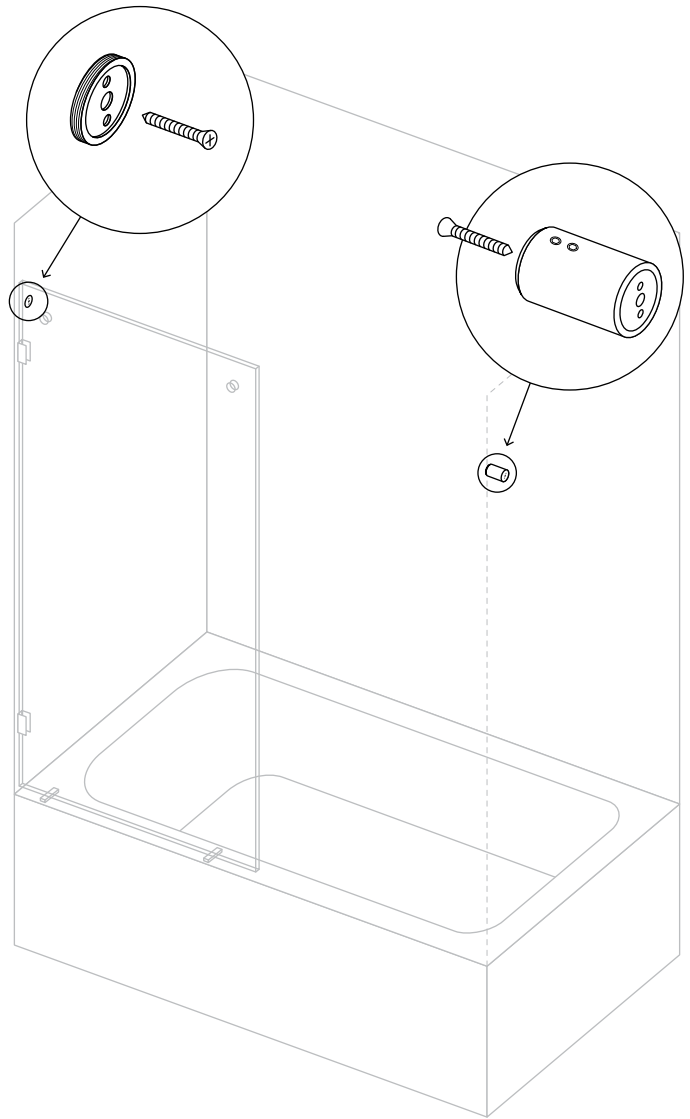
Using a level, check Shower Rod is perfectly level from one wall to the other. Once in correct position mark the placement of Shower Rod Brackets on wall and uninstall rod from glass panel. Remove one of the wall brackets from rod and mark the holes to be drilled on each wall.



11

**Drill holes for Shower Rod Brackets.**

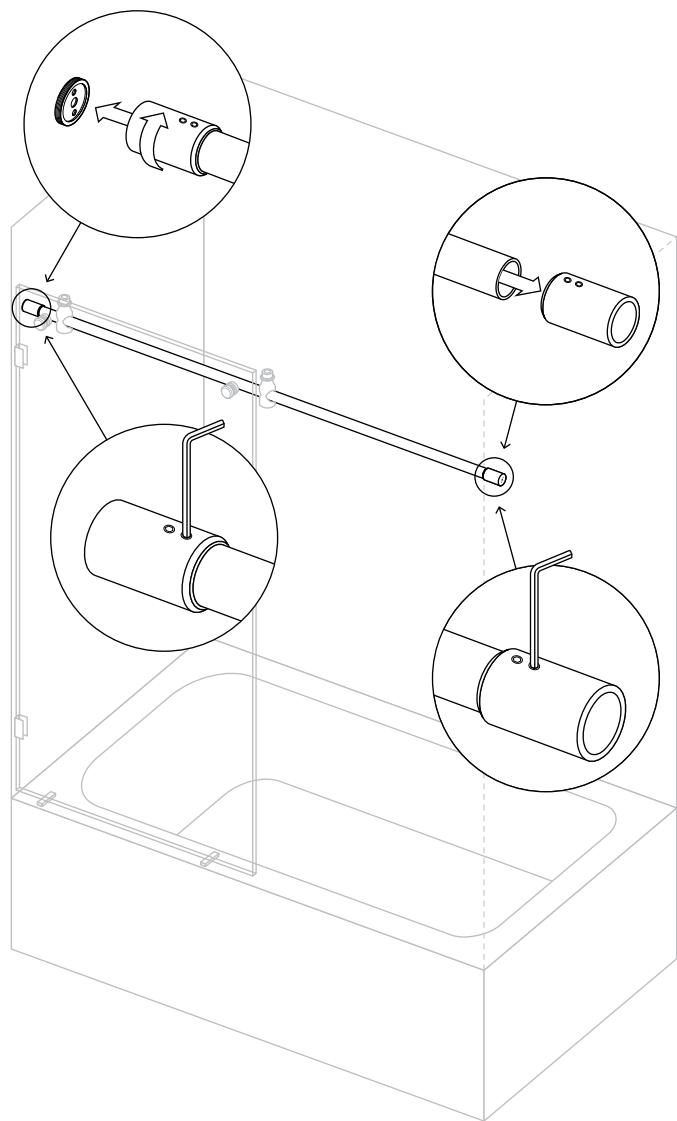
Using 6mm drill bit, drill holes and install wall anchors. Trim excess from the wall anchors hanging out of hole with utility knife.



12

**Screw in flat fixing piece and Shower Rod Bracket.**

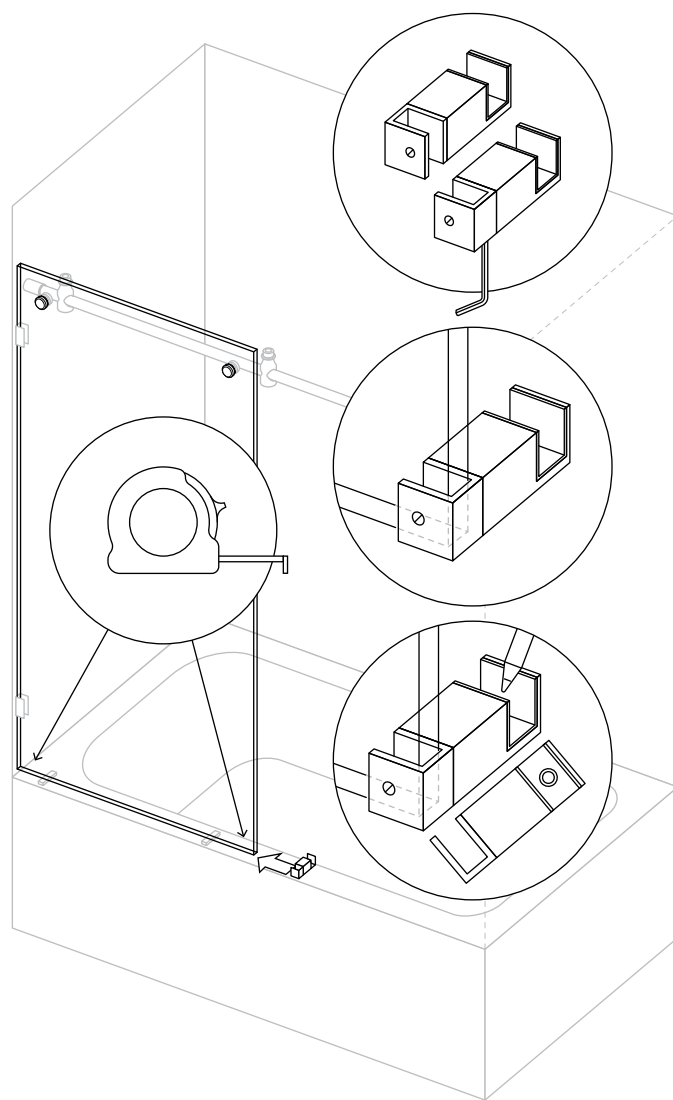
On Fixed Panel side wall install only the round flat fixing piece unscrewed from Shower Rod Bracket with rest of bracket remaining on rod. On the Slider Panel wall install the complete bracket. This allows you to slide the rod into one whole bracket and then screw remaining bracket on opposing wall.



13

### Complete Shower Rod install.

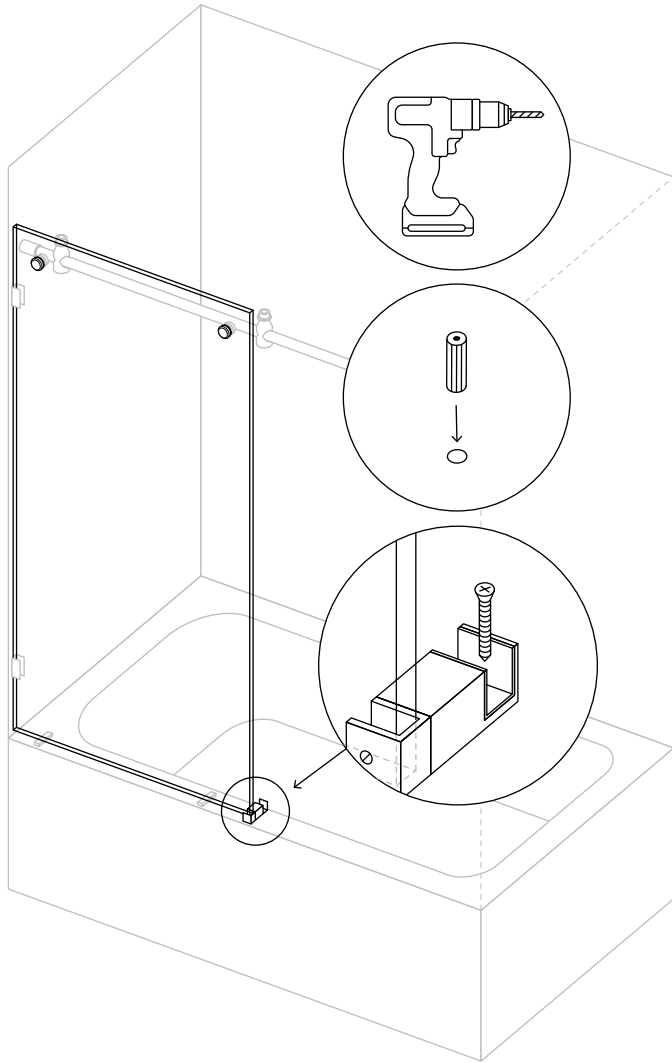
Re-check the rod and Fixed Panel are level then tighten the screws on Shower Rod Brackets and on Fixed Panel Wall Clips very tight.



14

### Set Fixed Panel into Floor Bracket and mark hole.

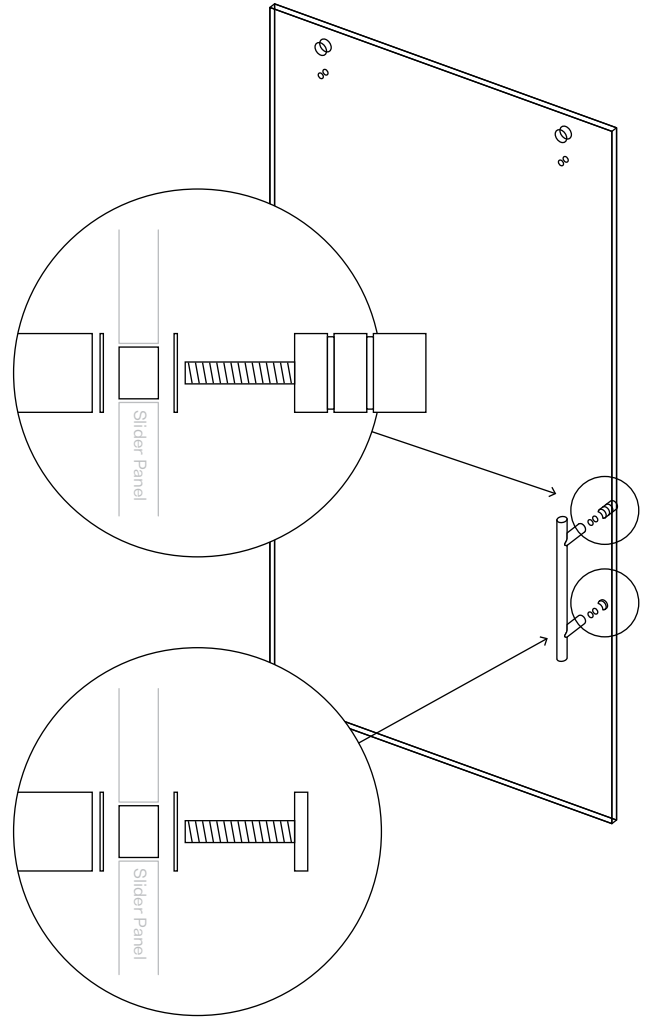
Make sure both of the bottom corners of the Fixed Panel measure the same distance from the front of the bathtub. Check panel is level again. Loosen allen screw on bottom of Floor Bracket and rotate adjustable end which fits on Fixed Panel for either left or right installation. Mark hole to drill for Floor Bracket. Remove Floor Bracket before drilling.



15

**Drill hole, install anchor and install Floor Bracket.**

Using a 3mm drill bit, drill hole. Fill this hole with a little bit of silicone to waterproof. Reinstall Floor Bracket, making sure that the plastic insert is in place inside Floor Bracket. Screw Floor Bracket down to secure.



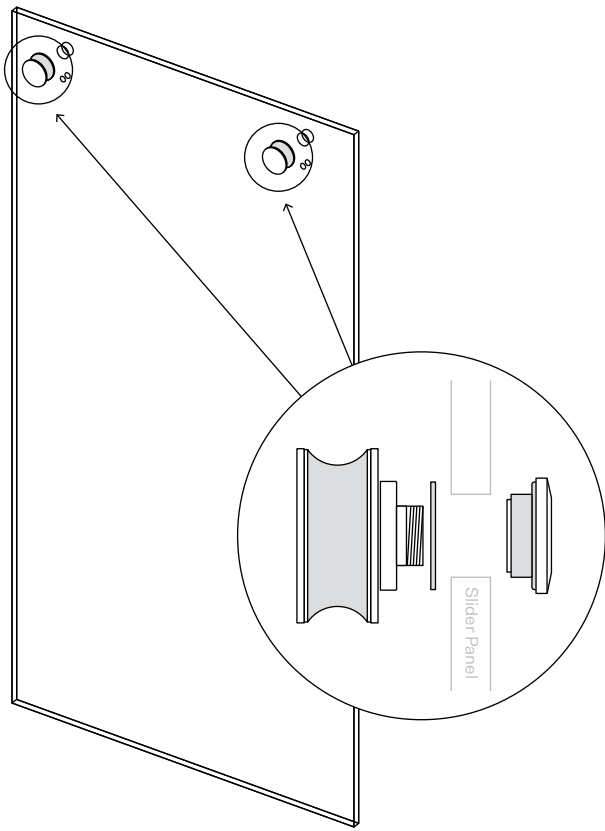
16

**Install Sliding Panel Handle.**

Carefully install the Slider Panel Handle on the Sliding Panel. Be sure that Slider Panel is sitting on folded cardboard to avoid cracking or chipping.

**Important:** When fixing Floor Bracket to tiled threshold, use a 6mm drill bit and install the green anchor before installing Floor Bracket.

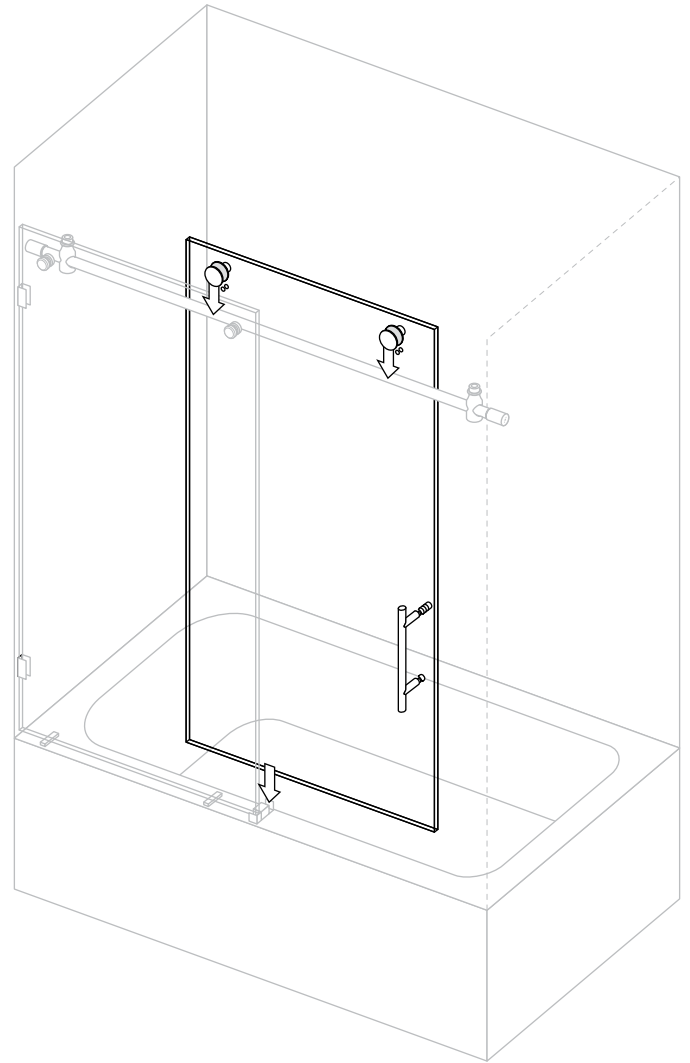




17

**Install Sliding Panel Rollers.**

Carefully install the Slider Panel Rollers on the Slider Panel. Be sure that Slider Panel is sitting on folded cardboard to avoid cracking or chipping.



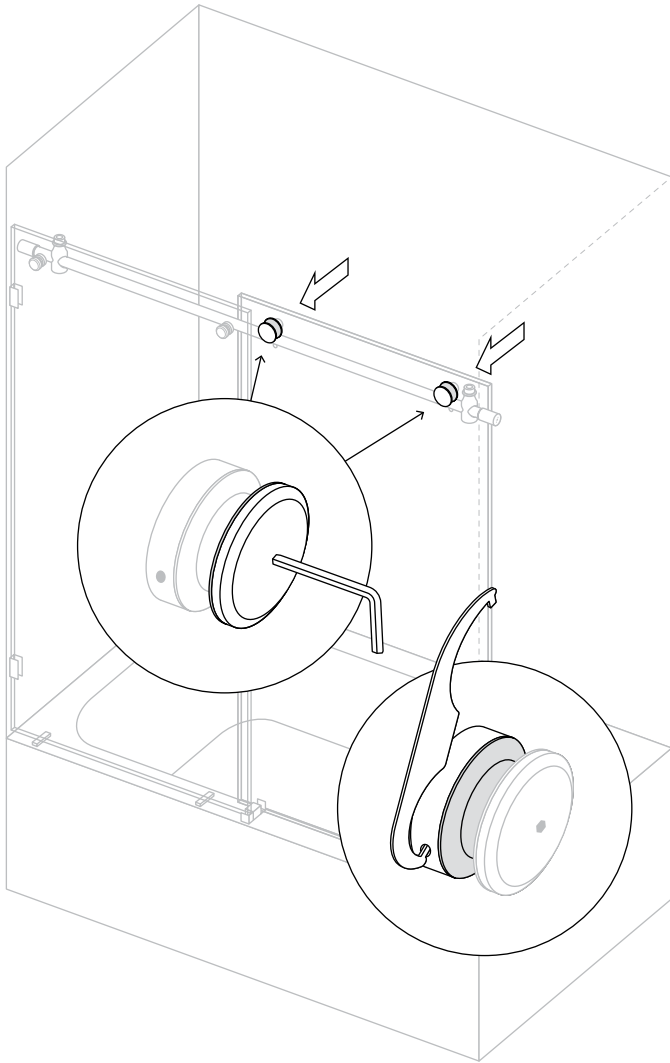
18

**Install the Slider Panel.**

Lift the door and slowly lower the rollers onto the shower rod. When lowering the panel be sure the bottom of Slider Panel slides into the floor bracket.

**Important:** Gently slide door from side to side making sure it is not binding anywhere along the bottom. Check the door is level and lines up evenly with the wall.



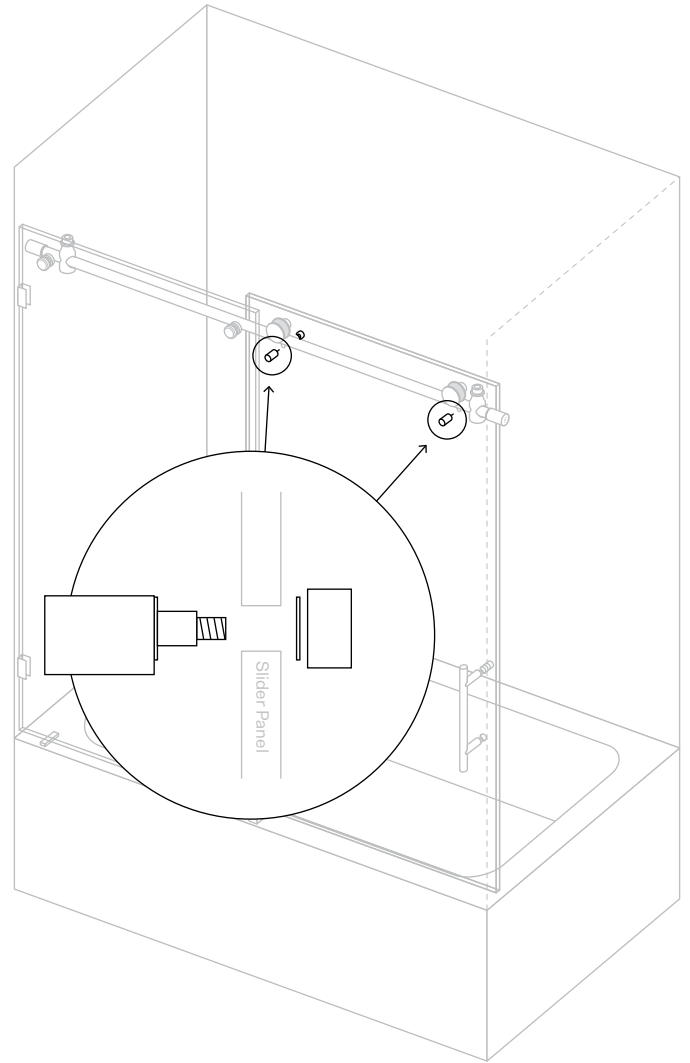


19

**Level and adjust Slider Panel Rollers.**

If Slider Panel is not level when hung from Rollers you can use the Roller Adjustment Tool to level it up.

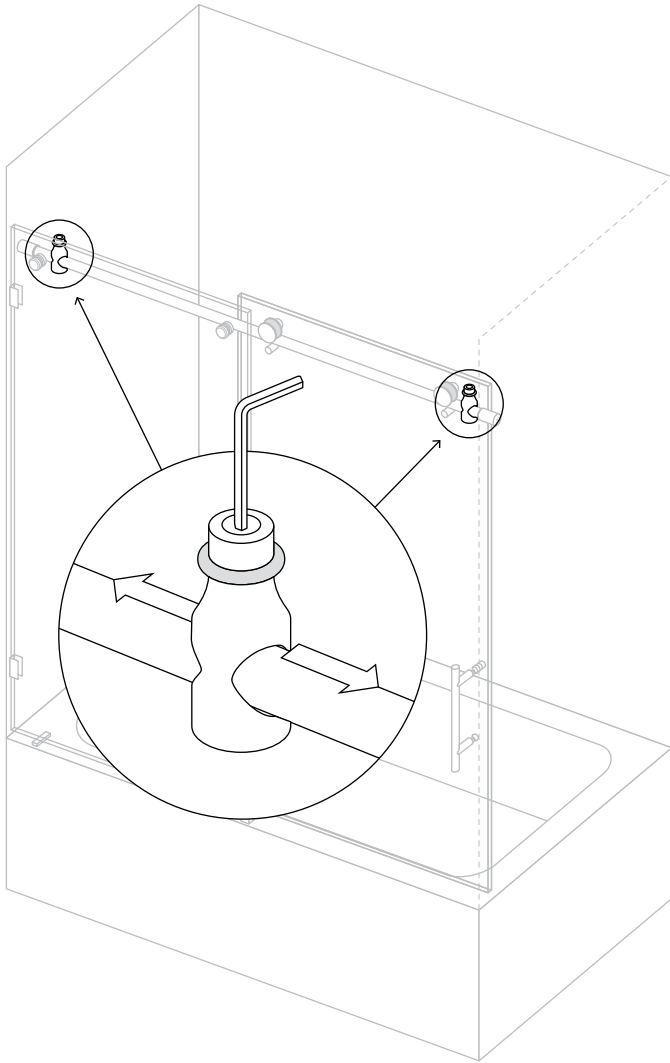
Slightly loosen the Allen bolt on back of Roller. Insert Roller Adjustment Tool into the hole on the edge of the roller backing plate and turn it to adjust level. Once Slider Panel is level, tighten Allen bolt on back of Roller.



20

**Install the Roller Guides.**

Install Roller Guide clips on Slider Panel to prevent the door from being able to come off rollers. Make sure there's no more than a 3mm gap between the guides and the Shower Rod. The Roller Guides need to be almost touching the Rod to insure that the sliding door is completely secure.



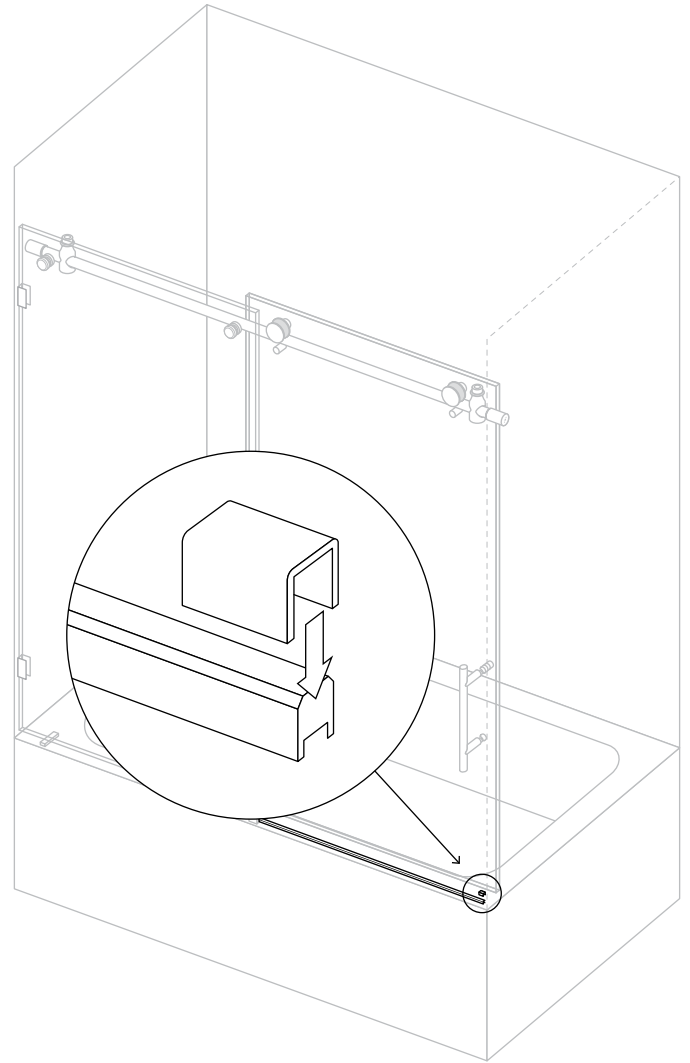
21

**Adjust Slider Panel Stoppers.**

**Important:** Slide door gently when testing Slider Stoppers so as not to damage the Door or the Fixed Panel.



Adjust location of Slider Stoppers on Shower Rod to ensure the Slider Panel does not touch the wall and the Slider Panel Handle does not touch the Fixed Panel.



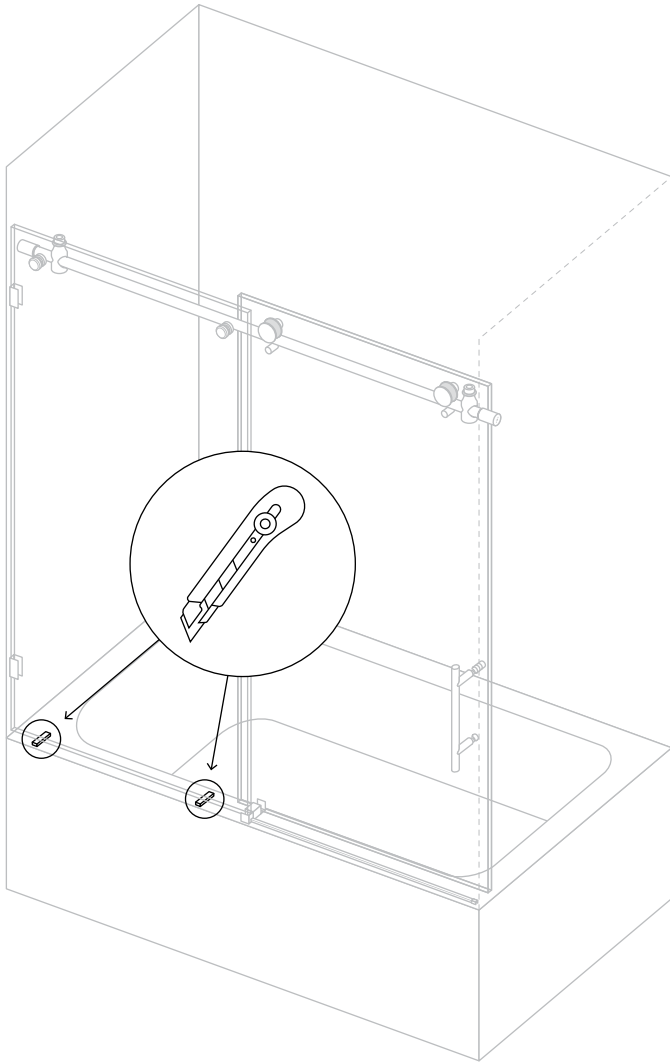
22

**Install Aluminum Floor Strip and optional Cap.**

Install Aluminum Floor Strip to prevent water leakage. Measure distance from Floor Bracket to wall and cut Aluminum Floor Strip to fit. Apply a small bead of silicone under strip for waterproofing and set in place. If Aluminum Floor Strip is cut slightly short, apply a small bead of silicone under Aluminum Floor Strip Cap and place on top of cut end of Aluminum Floor Strip as close to the wall as possible.

Tape aluminum strip to floor surface using masking tape and allow to dry for 24 hours.

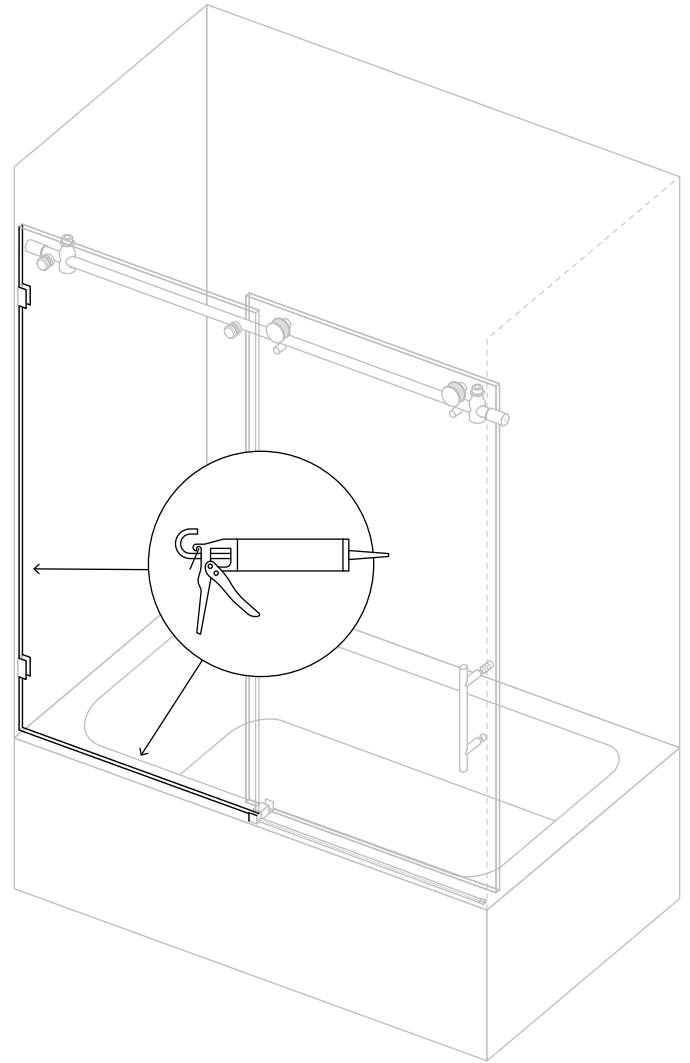




23

**Trim Rubber Blocks.**

Trim the Rubber Block with a utility knife so that it is flush with the Glass Panel resting on top. The Rubber Blocks remain under the Glass Panel. Do not remove them.



24

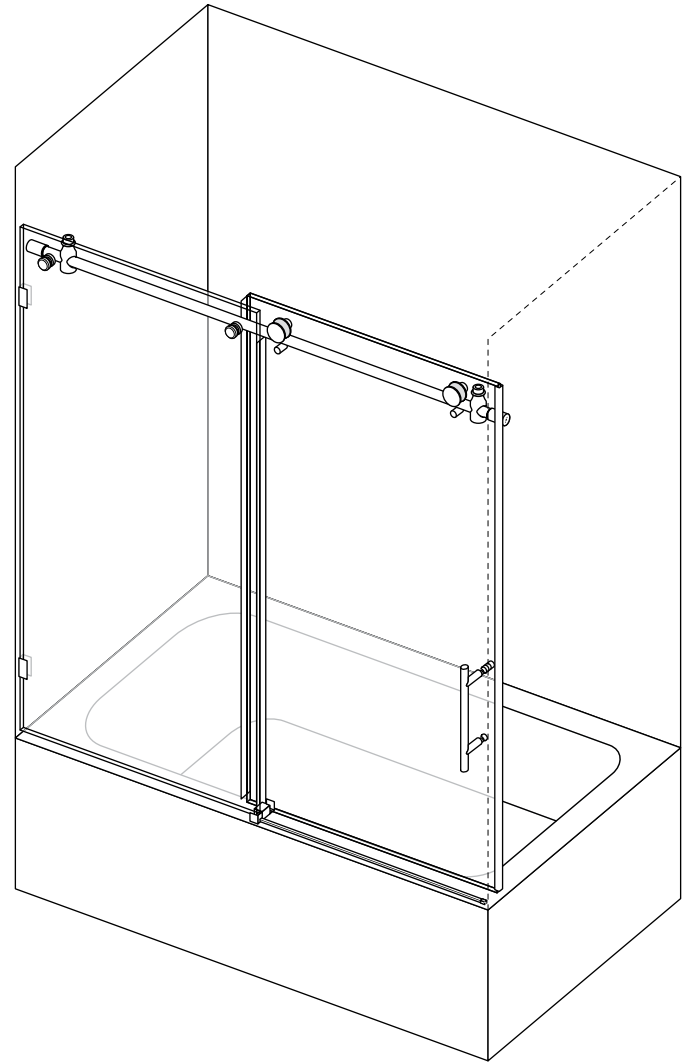
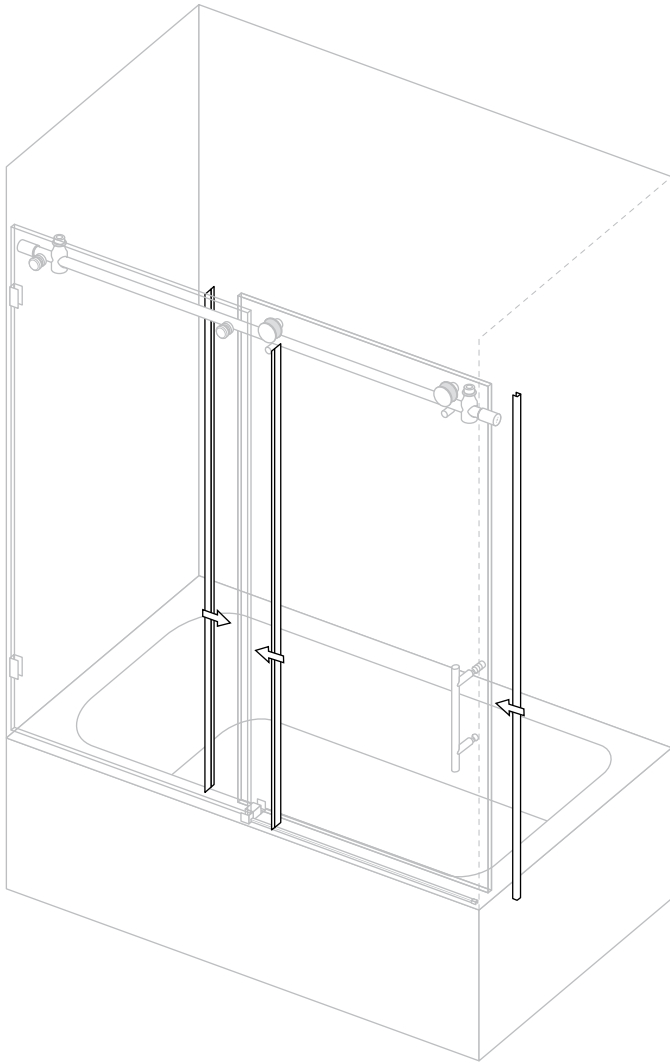
**Apply silicone to seal Fixed Panel.**

Apply silicone around the wall and floor surface of the Fixed Panel. You need to silicone both the inside and outside edges ensuring the gap between glass and tile is completely sealed.

Once sealed, spray the silicone with water and use a spatula (available in our Install Kit) to remove any silicone residue.

**Important:** It is critical that the silicone is given at least 24-36 hours to cure.





25

---

### **Install Weather Strips.**

Install the plastic weather strip on panels. The shortest Weather Strip goes on the edge of the Fixed Panel. The longest piece goes on the outer edge of the Slider Panel near the handle. The mid-length piece goes on the inside of the Slider Panel.

---

**Once silicone has cured, you're done!**

# Care & Maintenance



EnduroShield makes cleaning easier and less frequent; however it is recommended that you continue to clean the surfaces regularly.

## Maintaining the Treated Surface

For best results simply drying the glass with a squeegee or towel after each use will help keep the glass clean and reduce mineral spots forming. The glass needs to be cleaned every few weeks using a damp microfiber cloth and a mild detergent to break down soaps, oils, and conditioners on the glass. General glass cleaners are also suitable, however most of these are finishing agents rather than cleaners, and are an added expense that is not required.

## Hard Water Maintenance

In hard water areas, or areas where water drops dry and leave a noticeable dust mark, a build of minerals may occur on the protective treatment. While these may not be removed as easily with the mild detergent, mild acids will often remove the marks quickly. As needed white vinegar should be used to wipe down the glass. Keep in mind the vinegar may be diluted with water, however dilution reduces the effectiveness.

Spray vinegar onto the glass and allow to soak for several minutes. This should dissolve any mineral deposits that have built up on the glass surface. A damp microfiber cloth should then be used to wipe over the surface. For extreme hard water areas we recommended using undiluted vinegar every week or so as a cleaning option to reduce this build up on the surface, rather than allowing the build up to continue over a long period of time.

**Caution:** Prohibited Products \*Note these may damage the treatment and void any warranty

- Avoid the use of any abrasives or polishes including water spot removers, toothpaste, polishes, rough, or gritty substances
- Avoid the use of acids or alkalis that you would not want in contact with your skin for an extended period of time
- Avoid products such as Comet, Ajax, Jiff or Cerium Oxide which polish back the actual substrate
- Avoid the use of any harsh or chemical cleaners, with correct maintenance these are never required

## Approved Cleaning Products

The below products have been tested for compatibility with EnduroShield, however there are no specific products that must be used. We feel you should not be required to purchase extra products in order to keep your glass clean. With correct maintenance, all you need for clean glass beyond 10 years is a squeegee, a mild liquid dish soap, and white vinegar.

Any product that does not fall into the prohibited categories listed above will be fine, and below is a short list of acceptable products:

- Windex
- SprayWay (or other alcohol based foaming cleaners)
- Scrubbing Bubbles (or other automatic leave-to-dry daily shower cleaners)
- 7th Generation, Dawn (or other mild eco friendly cleaners)
- CLR (Calcium Lime Rust)
- Mr. Clean Magic Eraser (when damp)

It should be noted that with any cleaner used on the EnduroShield surface a thorough rinse with clean water should follow immediately. Although these cleaners can be used, EnduroShield is designed to be an 'easy clean coating' that does not require harsh or toxic cleaning chemicals to maintain the surface effectively.

If for any reason the recommended maintenance has not been followed for some time, just as it took time for the build up to occur, it will take time to remove the debris from the protected glass surface. This can most commonly be achieved using undiluted white vinegar dampened on a Magic Eraser, or CLR on a Magic Eraser. Depending on the severity of the build up this may take multiple attempts, but once the glass is clean again it will perform like new. Should you have any queries regarding the cleaning of your treated surfaces please contact EnduroShield.

tel: 02 9674 9299  
email: [sales@enduroshield.com](mailto:sales@enduroshield.com)  
[www.enduroshield.com](http://www.enduroshield.com)

# FUTUREGLASS

Thank you  
for your purchase.

If for any reason you are having trouble with installation, or if the size of the product does not fit your designated space, please contact Future Glass directly and do not return this product to place of purchase.

Future Glass takes pride in providing quality products and customer service. We want to ensure your happiness with your purchase for years to come. We have an extensive range of sizes, so no matter what your measurements are, Future Glass can supply the product to fit!

If you have any questions, please do not hesitate to reach out to us. Thank you again for choosing Future Glass!

Best Regards,

The Team at Future Glass  
[www.futureglass.com.au](http://www.futureglass.com.au)  
[futureglass@aquilia.com.au](mailto:futureglass@aquilia.com.au)