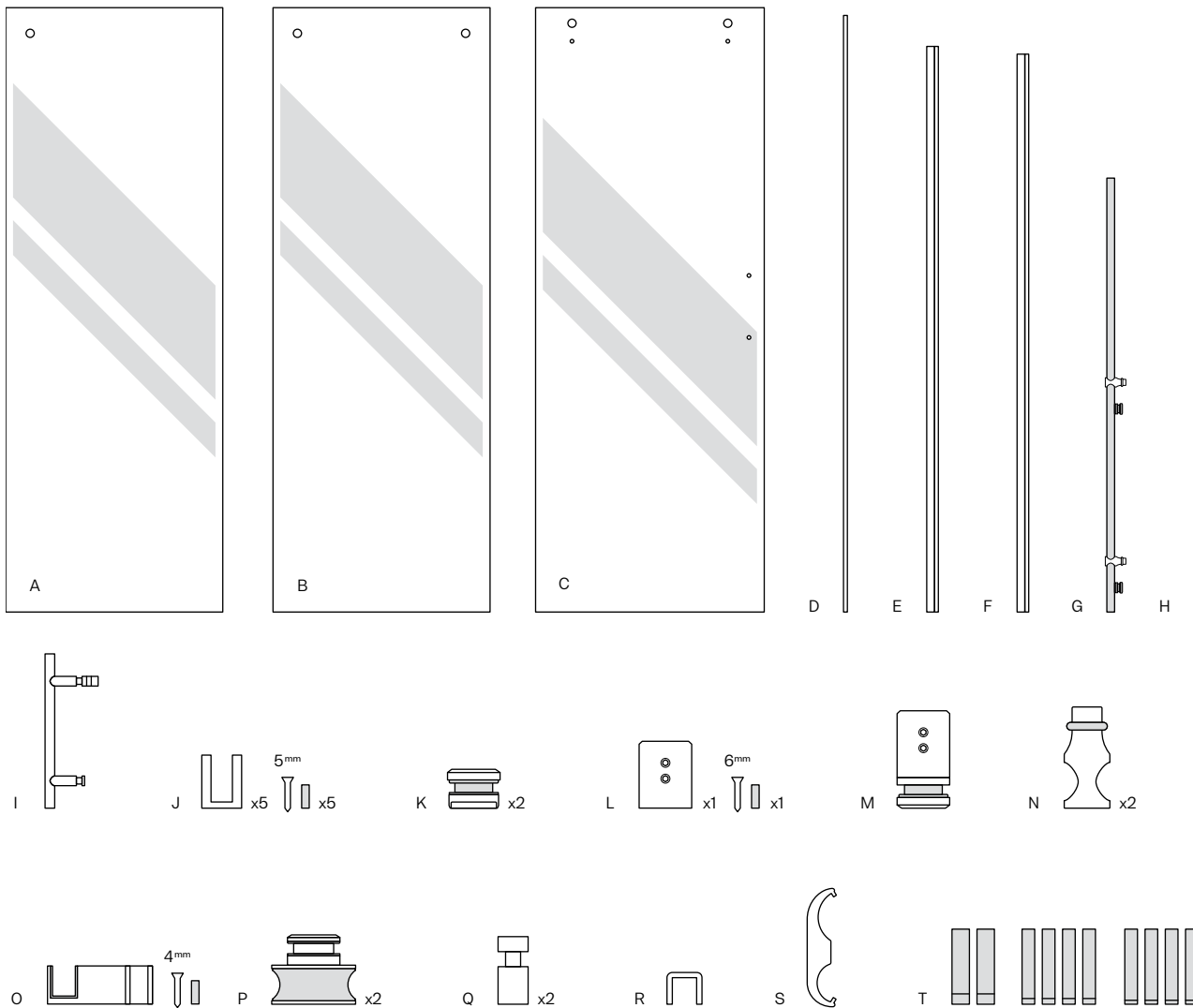


SLE-1220-1820

Shower Screen Installation Guide

Sliding Shower Enclosure

FUTUREGLASS



Included in your purchase Shipped in 5 separate boxes

- | | | |
|-------------------------------------|--|---|
| A Return Panel | I Slider Panel Handle | O Floor Bracket & Screw |
| B Fixed Panel | J Fixed Panel Clips, Screws
& Wall Anchors | P Slider Panel Rollers |
| C Slider Panel | K Fixed Panel Brackets | Q Roller Guides |
| D Slider Panel Edge Strip | L Shower Rod Brackets, Screws
& Wall Anchors | R Aluminum Floor Strip Cap |
| E Slider Panel Weather Strip | M Return Panel Shower Rod Bracket | S Roller Adjustment Tool |
| F Fixed Panel Weather Strip | N Slider Panel Stoppers | T Rubber Block set (various sizes) |

Thank you for your purchase.

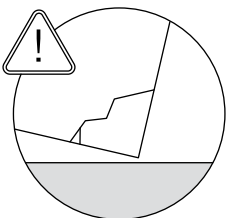
If for any reason you are having trouble with installation, or if the size of the product does not fit your designated space, please contact Future Glass directly and do not return this product to place of purchase. We will be able to exchange the panels or parts to suit your opening.

Future Glass takes pride in providing quality products and customer service. We want to ensure your happiness with your purchase for years to come. We have an extensive range of sizes, so no matter what your measurements are, Future Glass can supply the panel to fit!

If you have any questions, please do not hesitate to reach out to us. Thank you again for choosing Future Glass!

Best Regards,

The Team at Future Glass
www.futureglass.com.au
futureglass@aquilia.com.au

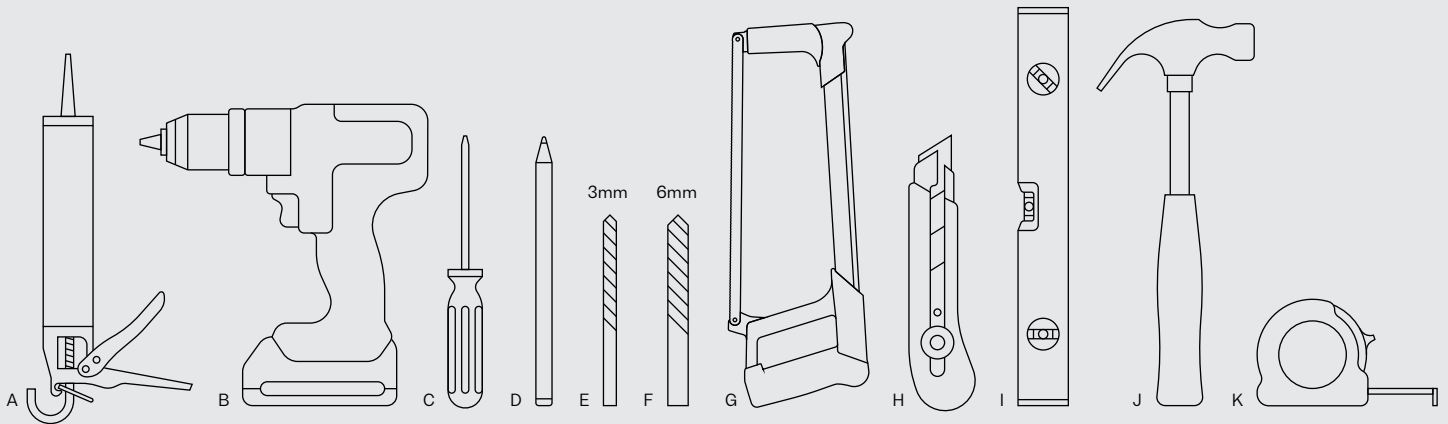


Caution: The most fragile parts of tempered glass panels are the corners. Therefore, it is critical you have the rubber blocks in place so the glass never touches the tile surface you are installing onto. Please make sure the glass is always on cardboard packaging or rubber blocks while out of the packaging prior/during install. Rubber block is provided in your hardware pack however you can use wood, cardboard or other rubber products to protect against breakage.



Attention installer: A light haze or smudging may be present on the coated glass panels upon delivery. This is easily removed with denatured or isopropyl alcohol and a good quality microfiber cloth, followed by a rinse of water. This can be done before or after installation.

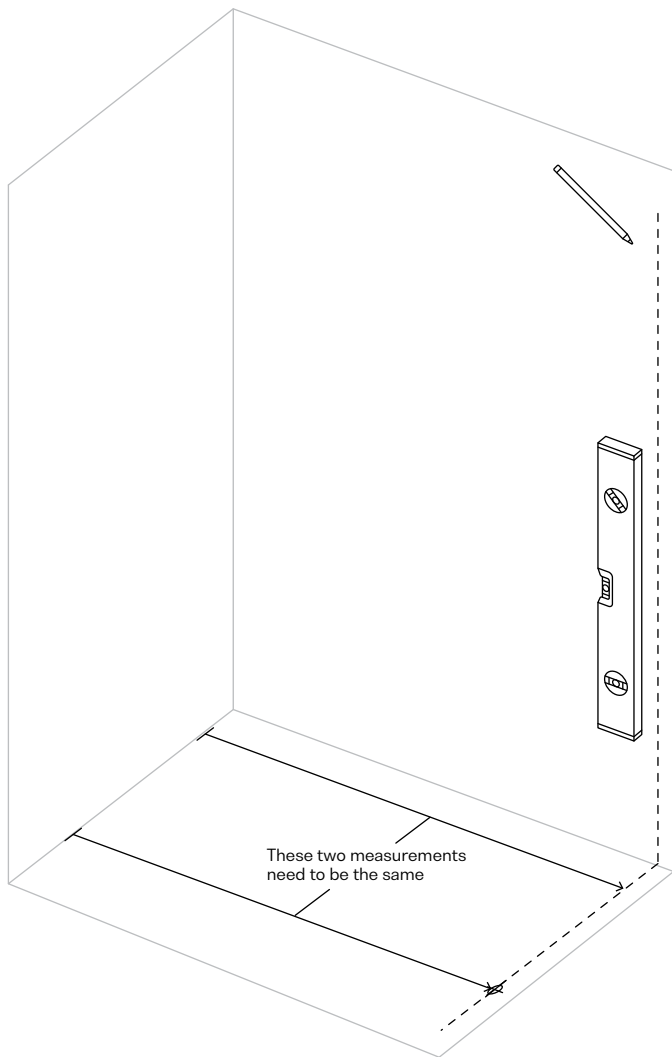
Installation Guide



Tools required for install.

- | | |
|------------------------------------|------------------------|
| A Silicone and caulking gun | G Hacksaw |
| B Power drill | H Utility knife |
| C Phillips head screwdriver | I Level |
| D Pencil | J Hammer |
| E 3mm tile drill bit | K Tape measure |
| F 6mm tile drill bit | |

Note: Silicone is not provided and will need to be purchased separately. We recommend using a clear, mold resistant silicone which can be purchased at your local hardware store.

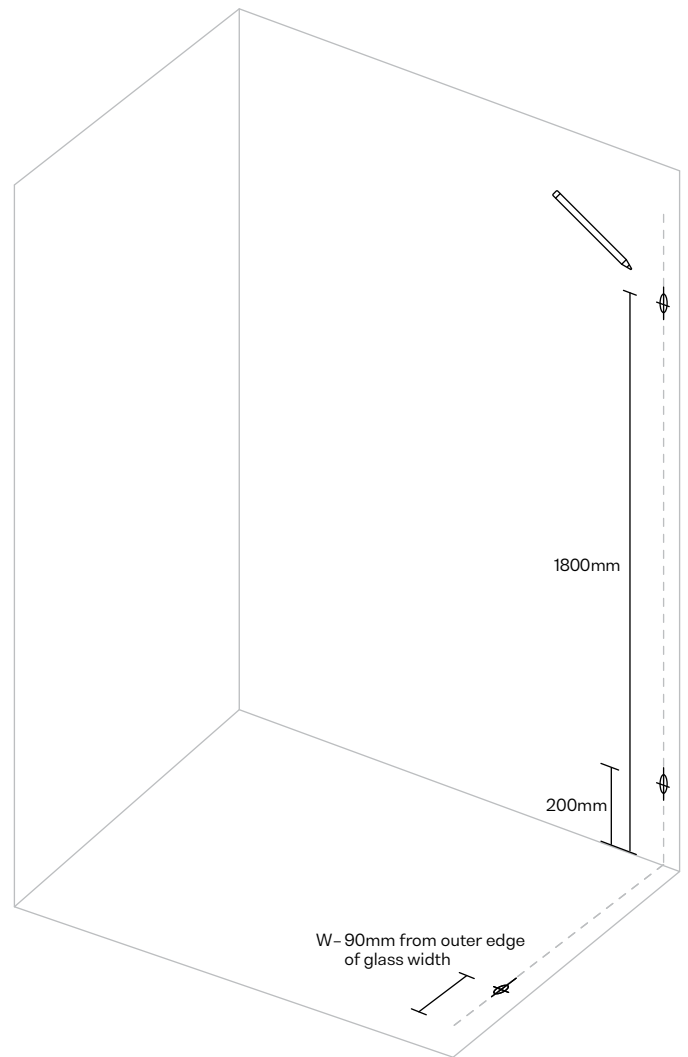


01

Measure and mark the fixed panel location.

Use a level and mark a line up the wall and along the floor. This is your center line for the clips. The two lines in the diagram above represent equal measurements.

Please note that these instructions show the Fixed Panel and Slider Panel on the left hand side and the Return Panel on the right hand side, but this enclosure is completely reversible and can be installed with the Fixed Panel and Slider Panel on the right hand side.



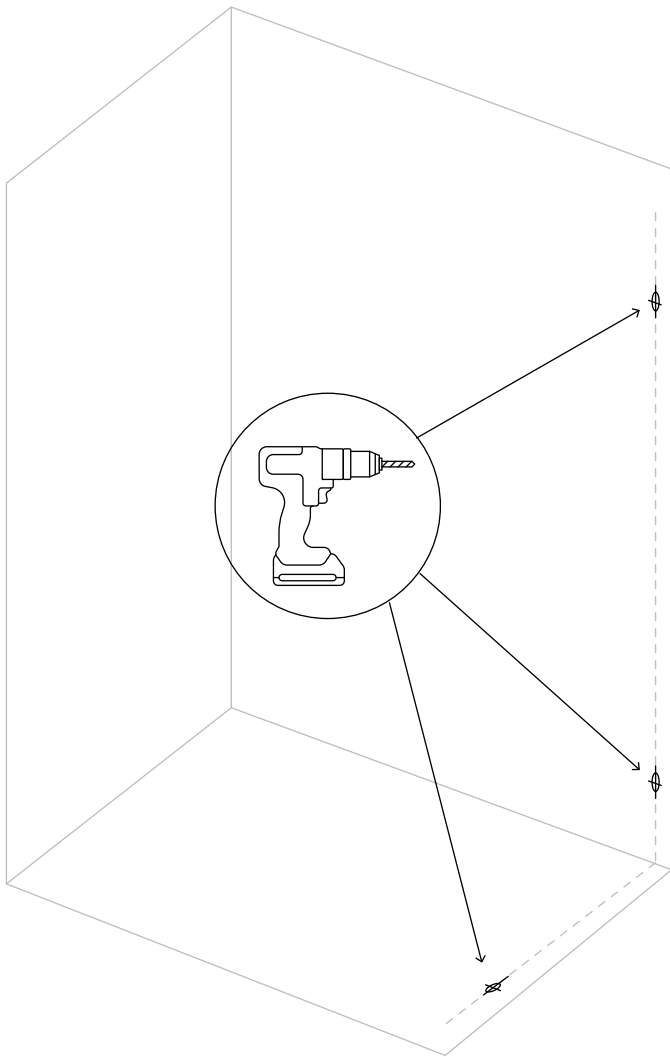
02

Mark the three clip locations.

- A** 1800mm from the floor, up the vertical line.
- B** 200mm from the floor, up the vertical line.
- C** Measure width of fixed panel and subtract 90mm – measure this distance out from wall and mark on floor.

Tip: We recommend using a pencil so this can be easily removed.





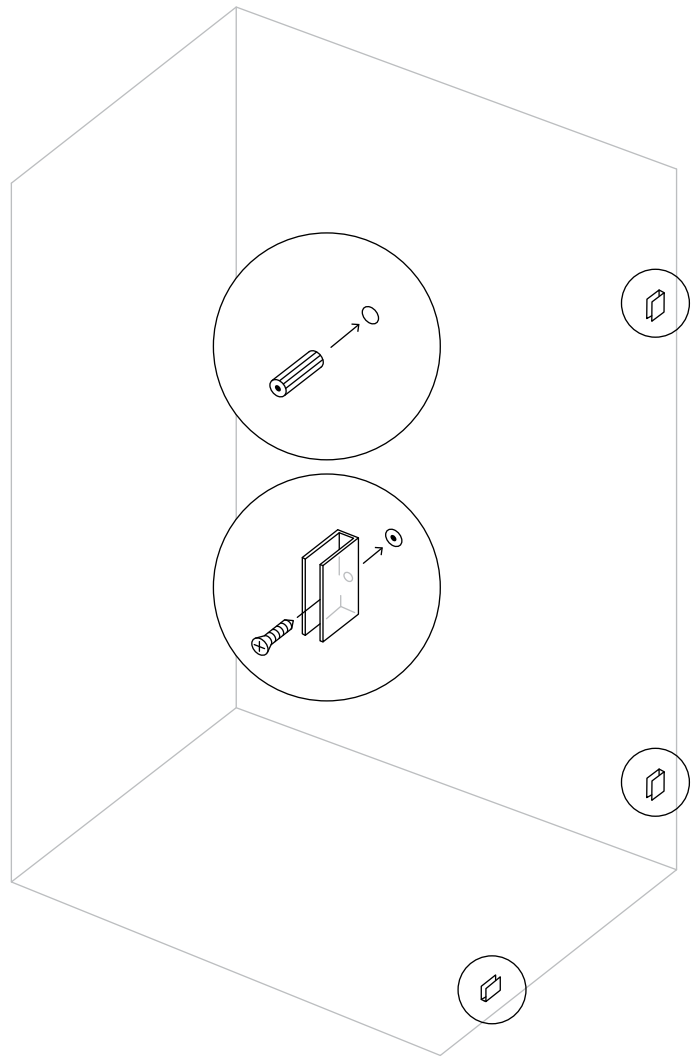
03

Drill the holes for clips to fix to the wall and floor.

Using a 6mm tile drill bit, drill the three marked holes on the wall and floor.

If the shower base is tiled, use the same 6mm tile drill bit to drill the third hole on the shower floor.

If the shower base is fiberglass, use a 3mm drill bit for the floor hole. You will not use the green wall anchor but rather screw the floor clip directly into fiberglass base.



04

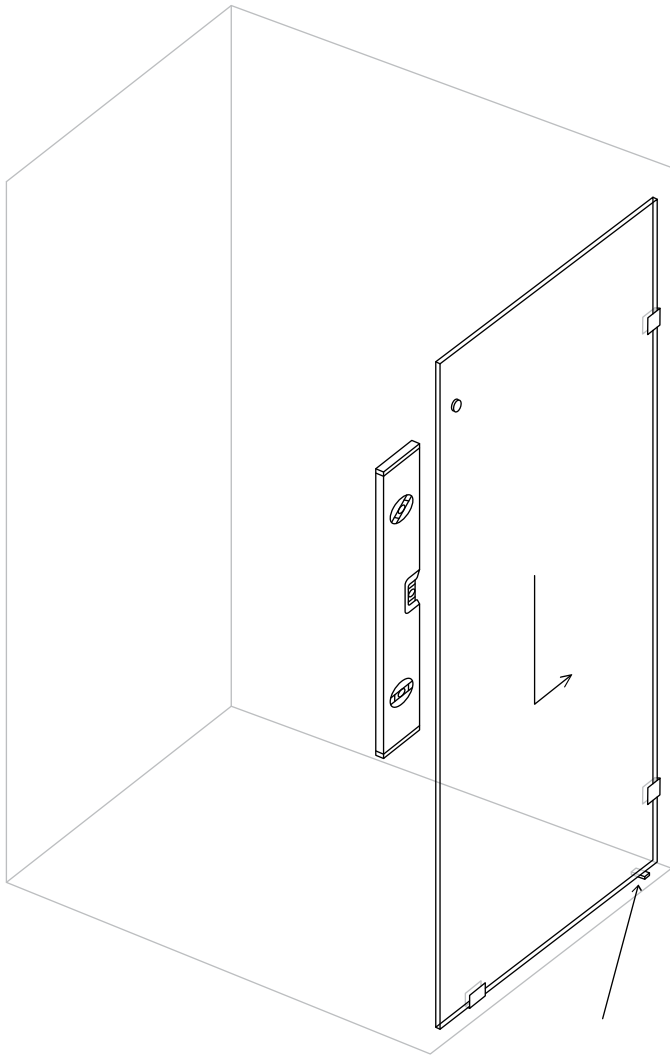
Fix anchors and clips.

Using a hammer, carefully insert the green wall and floor anchors. Trim any excess from the plug hanging out of hole so your clips can sit flush to wall and floor.

Place clips over holes and drill in screws to secure the clips. Make sure these are securely tightened.

Important: There is a stamp on the corner of all Future Glass glass panels to certify it is tempered safety glass. We recommend installing the Fixed Panel with the stamp in the corner closest to the wall. Note: the stamp is baked on during the tempering process and cannot be removed.





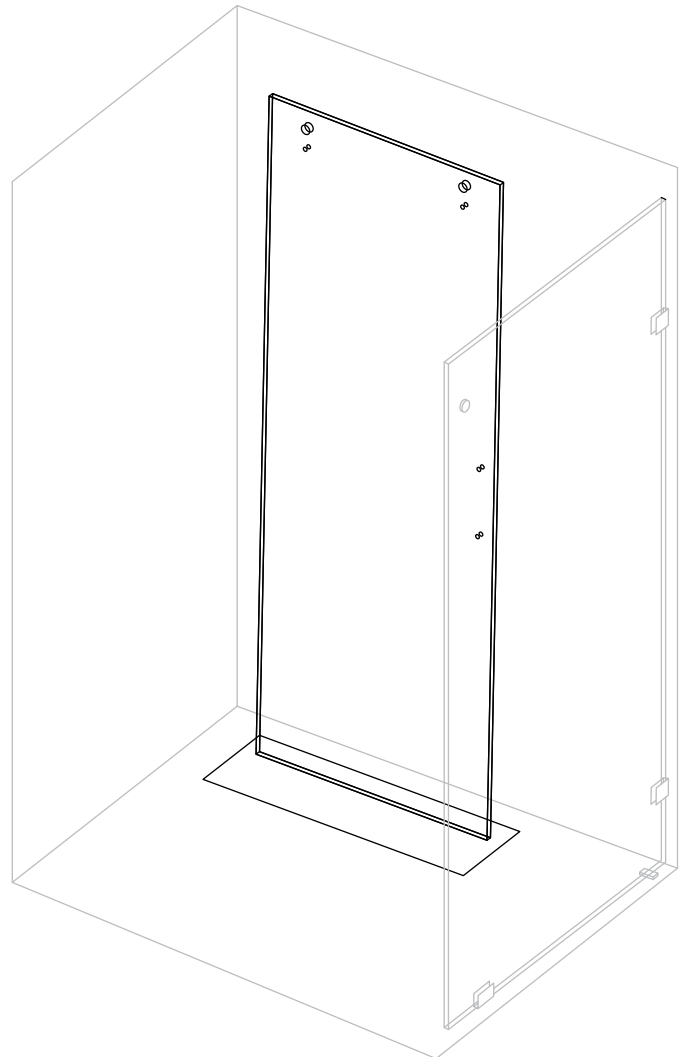
05

Set the Return Panel in place.

Place the 3mm rubber block on the floor 80mm in from the wall. Place a 1mm rubber block inside the floor clip. Rubber blocks are not required in the wall clips.

Carefully place the Return Panel on the rubber blocks and slot it into the wall clips. Partially tighten screws.

Use a level on the outer-edge to ensure the fixed panel is level and in line.



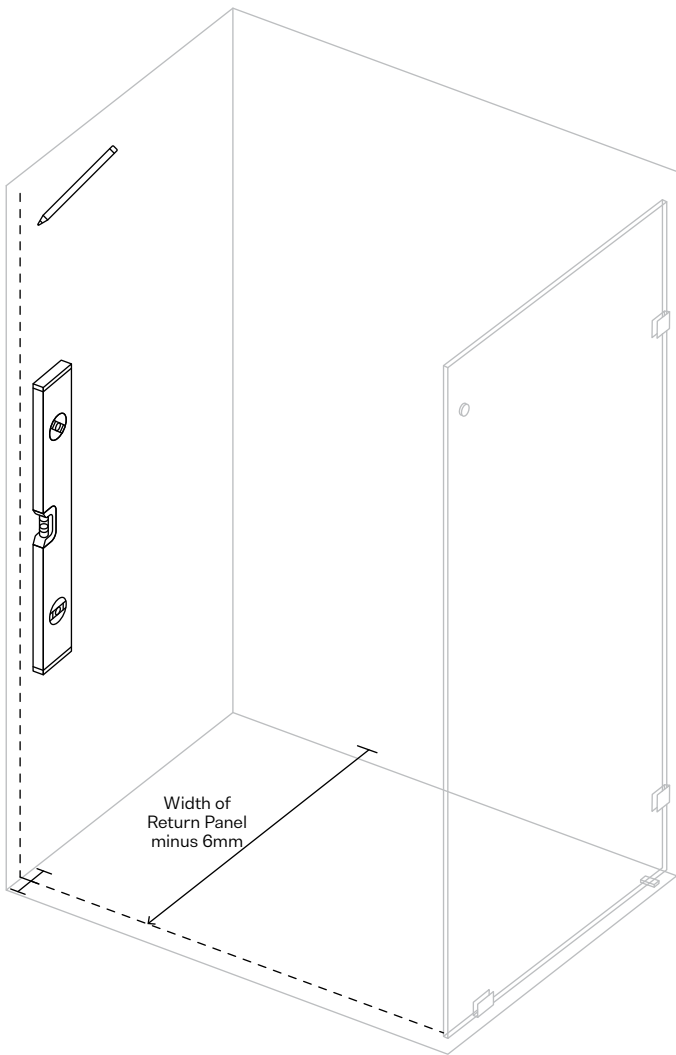
06

Place Slider Panel inside shower.

Place Slider Panel inside the shower on cardboard to protect the bottom of door. Be sure to face handle holes toward Return Panel. This will make it easier for installation at later stage once Fixed Panel and bar has been set in place.

Tip: Use additional rubber blocks on either existing blocks to raise/drop the Fixed Panel if required.

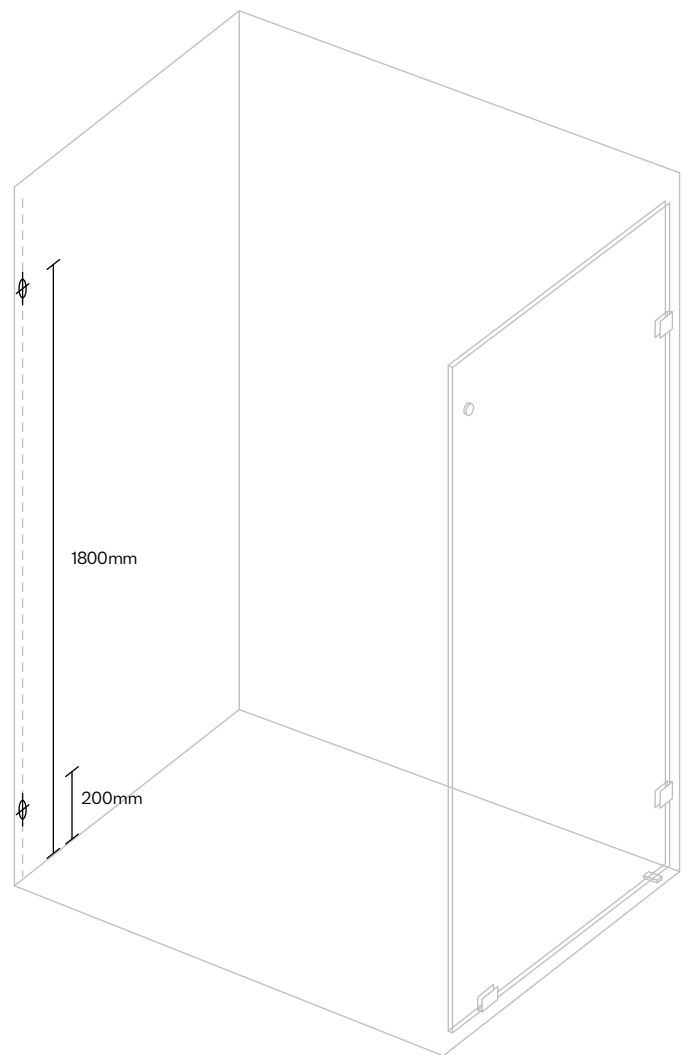




07

Mark the threshold and Fixed Panel wall.

Measure the width of your Return Panel minus 6mm and mark it on the floor tiles. Draw a level line up the wall at this point where the Fixed Panel will be placed. If the shower screen is being installed on a shower base/threshold, the minimum threshold width required is 70mm.



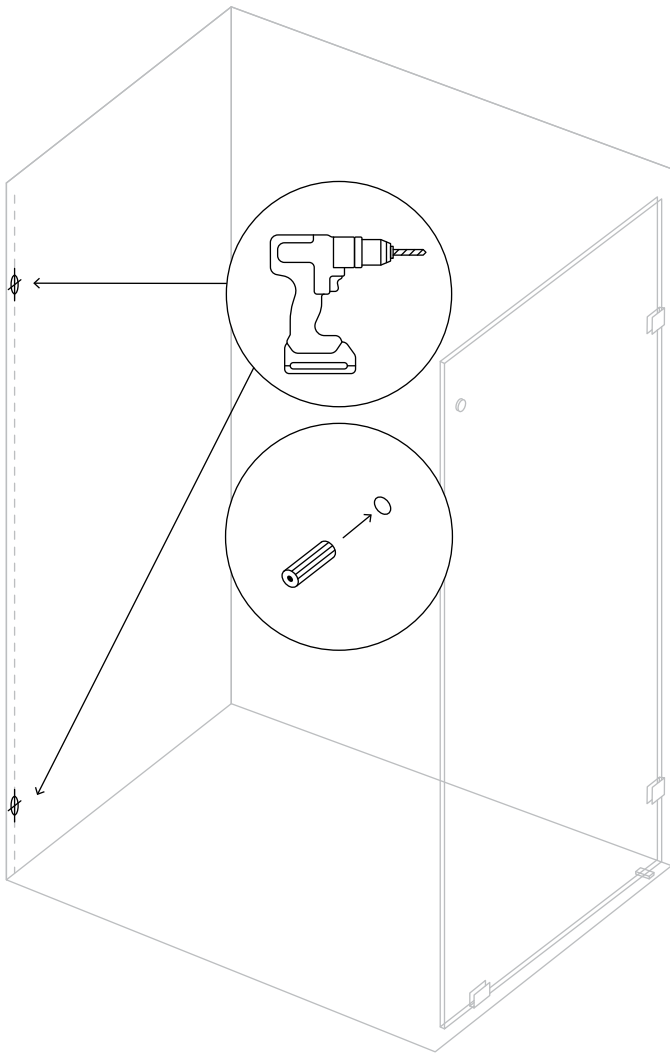
08

Mark the holes to drill on Fixed Panel wall.

Along the drawn level line, mark 200mm and 1800mm from floor.

Tip: We recommend using a pencil so this can be easily removed.

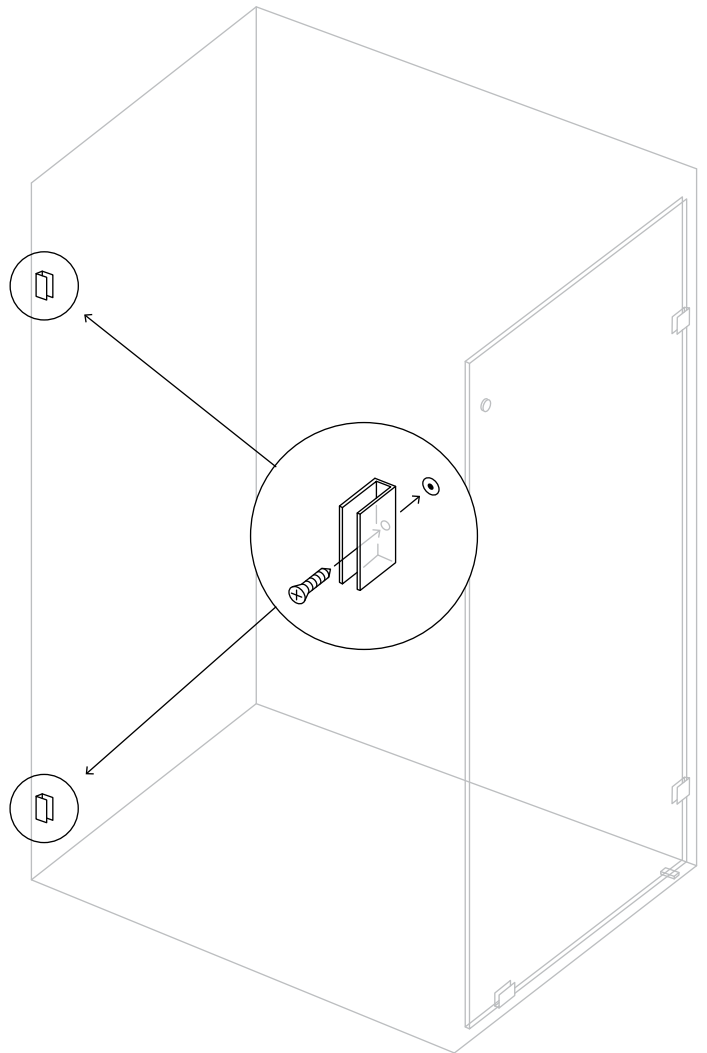




09

Drill the holes for Wall Clips.

Using a 6mm drill bit, drill holes and install the wall anchors. Trim excess from the wall anchors hanging out of hole with utility knife so your clips can sit flush to wall.



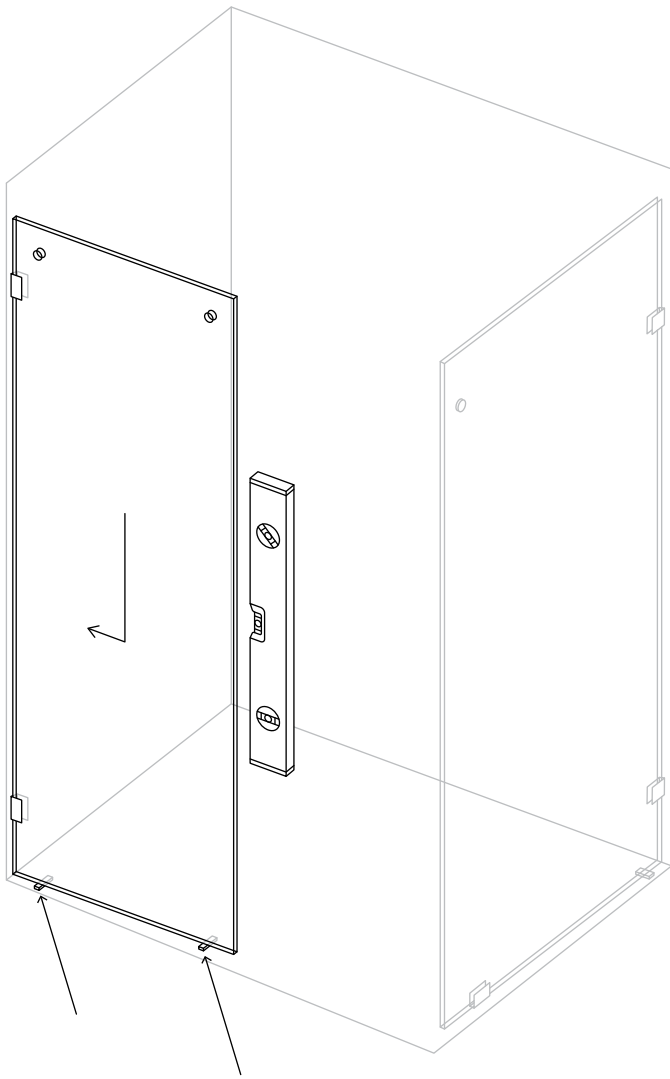
10

Install Fixed Panel Wall Clips.

Place Wall Clips over holes and drill screws into wall anchors to secure clips. Make sure these are securely tightened.

Important: Installer can use a 3mm tile drill bit to create pilot holes, but this is optional.



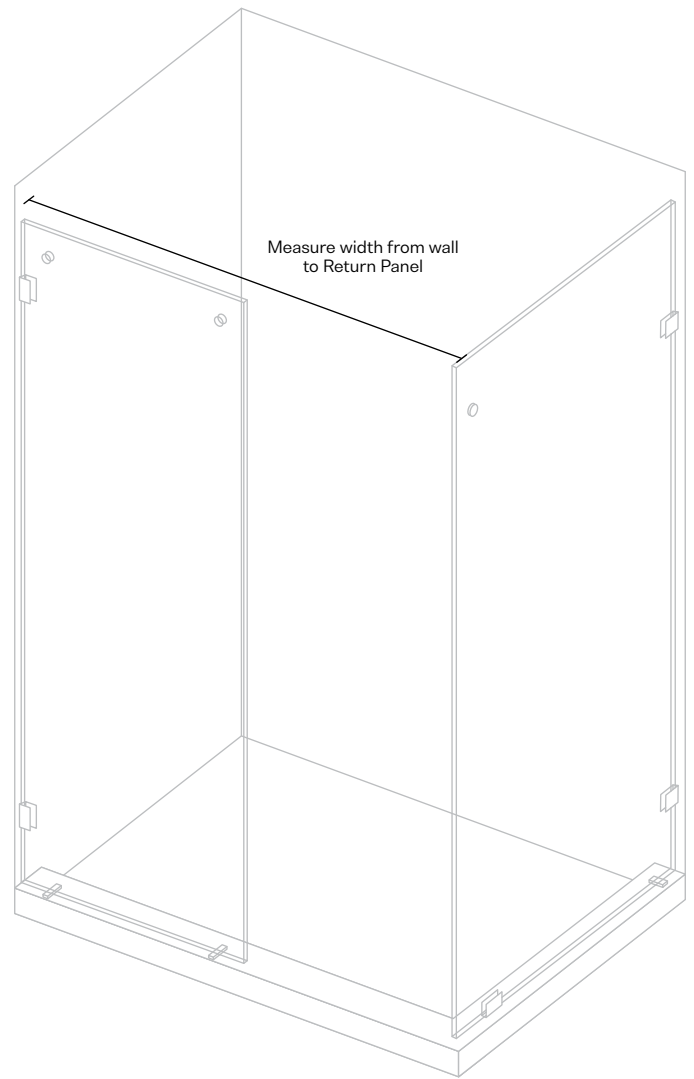


11

Set the Fixed Panel in place.

Measure the width of the Fixed Panel and place the 3mm thick Rubber Blocks provided 80mm in from each end where the glass panel will sit on the tile/threshold. Gently place the glass panel down on the Rubber Blocks and slide glass into the Wall Clips. Check to make sure the glass is level. If not, adjust by adding thinner 1mm Rubber Blocks to the blocks already on floor. Once level, tighten the grub screws very tight on the Wall Clips.

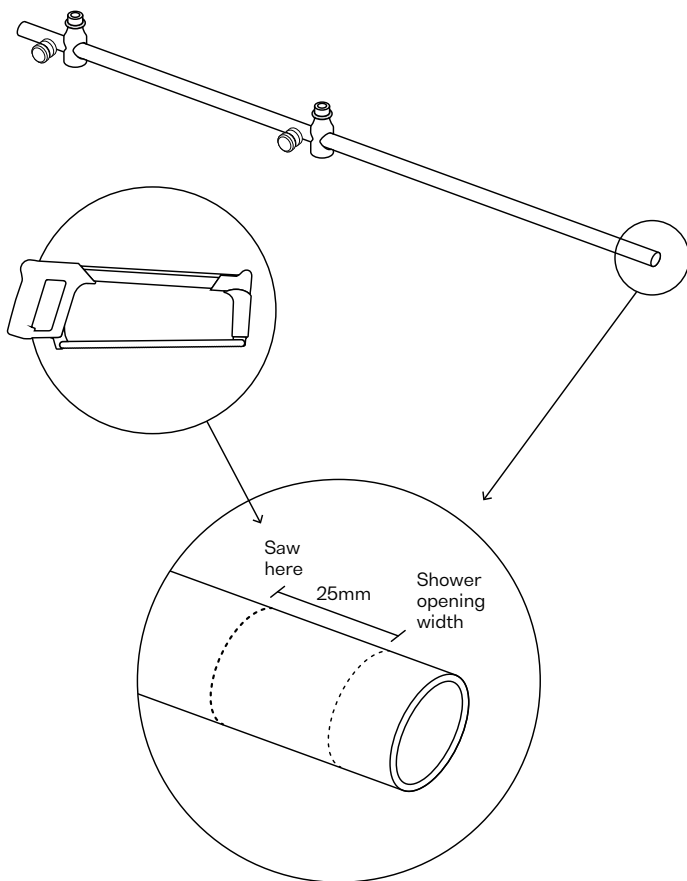
Tip: Use additional Rubber Blocks on either existing blocks to raise/drop the fixed panel if required.



12

Measure opening width.

Measure the opening width between the wall and your Return Panel.



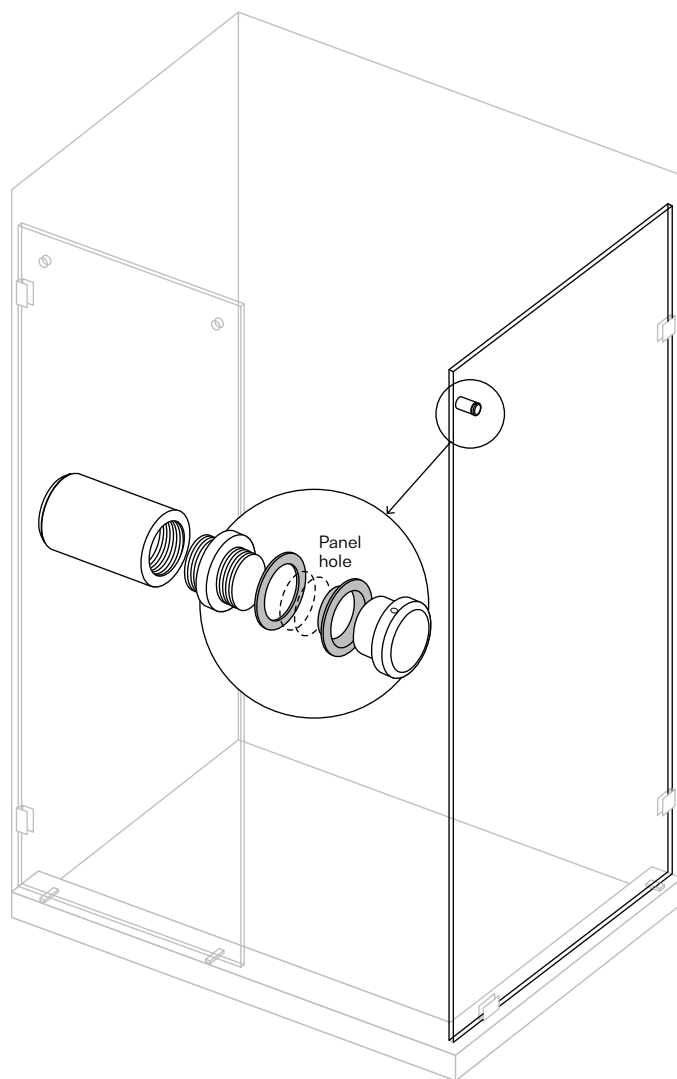
13

Measure and cut Shower Rod.

Important: You must cut rod at opposite end from the Fixed Panel brackets.



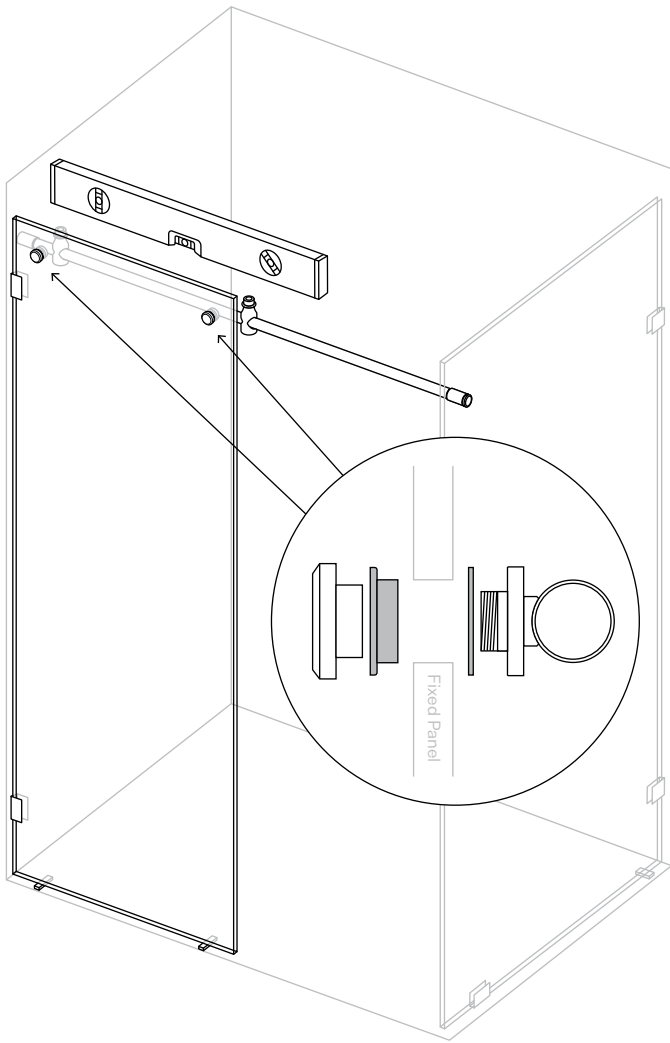
Subtract 25mm from the opening width measurement (step 12) and then measure out this distance on the Shower Rod. For example: If your opening measurement is 1194mm your rod length should be 1169mm. Use a hacksaw and cut your Shower Rod to the correct length.



14

Install the Return Panel Shower Rod Bracket.

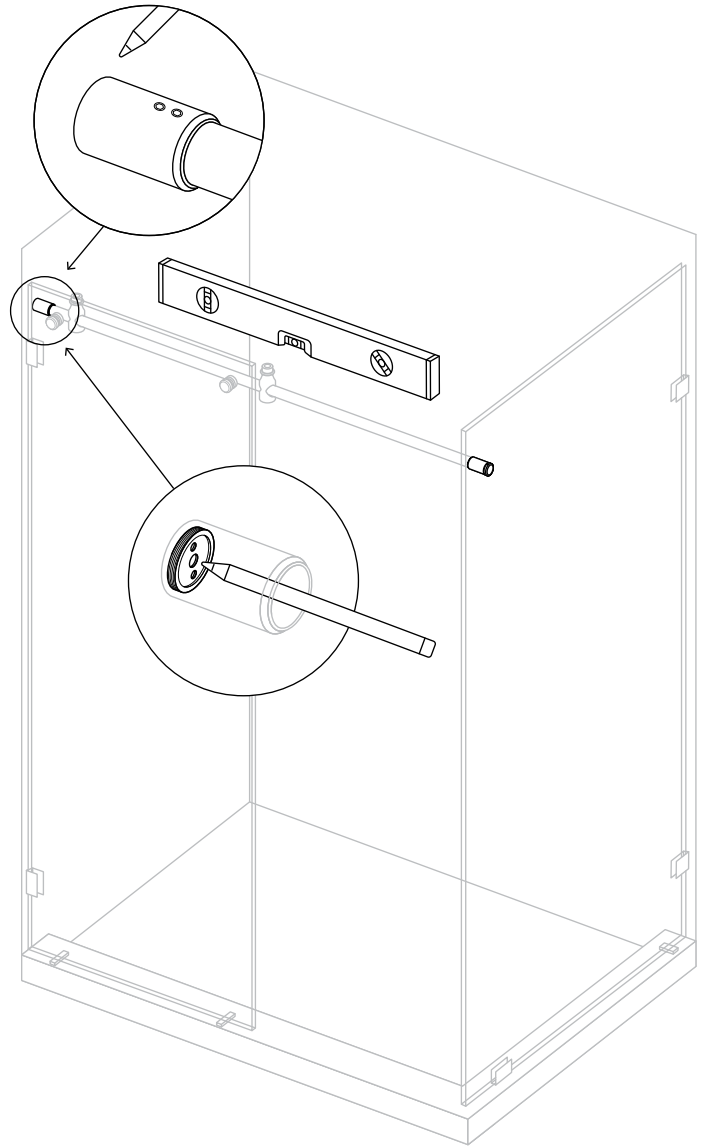
Remove end cap of the Return Panel Shower Rod Bracket and install in hole on Return Panel.



15

Install the Fixed Panel Brackets on Shower Rod.

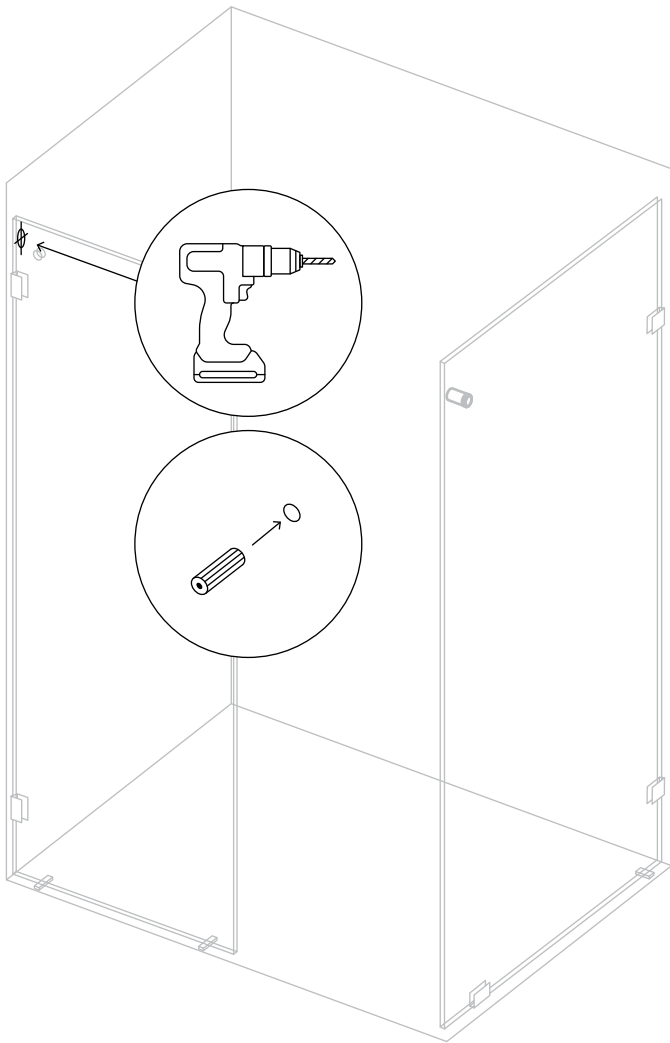
Install the brackets on Shower Rod into the holes on the Fixed Panel. If the brackets do not line up perfectly with the holes in the glass, you can loosen the allen bolt on the bracket to adjust it side to side to suit the holes in the glass.



16

Level Shower Rod and mark hole to drill.

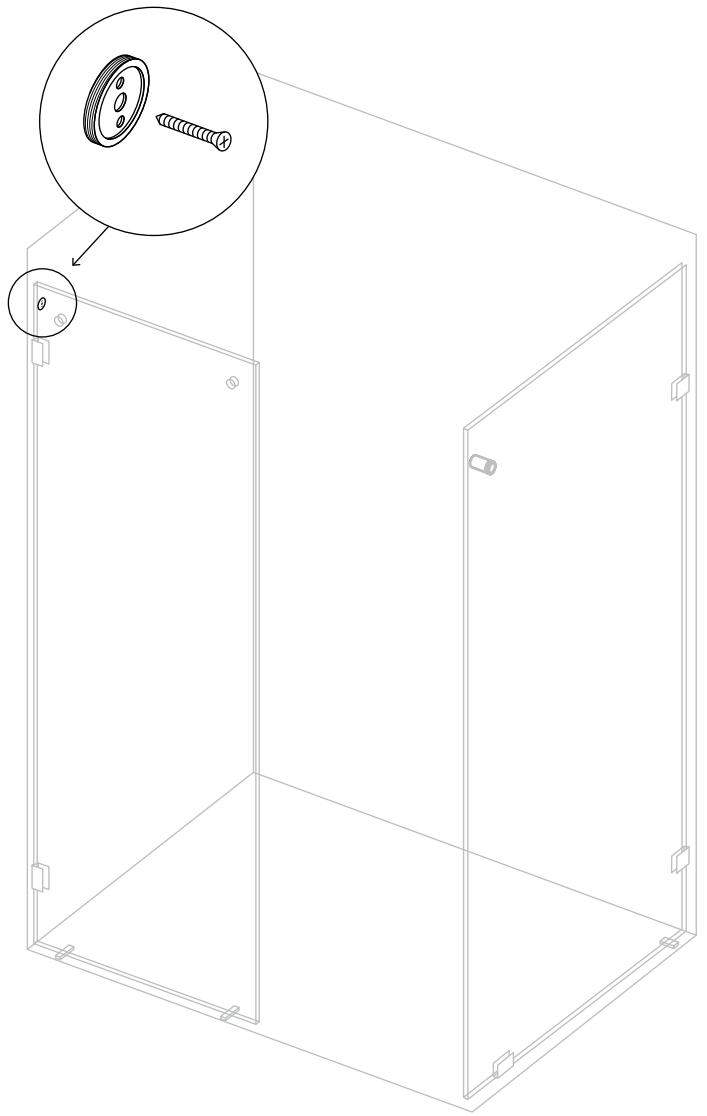
Using a level, check Shower Rod is perfectly level from one wall to the Return Panel. Once in correct position mark the placement of Shower Rod Bracket on wall and uninstall rod from Fixed Panel. Remove the wall bracket from rod and mark the hole to be drilled on the wall.



17

Drill hole for Shower Rod Bracket.

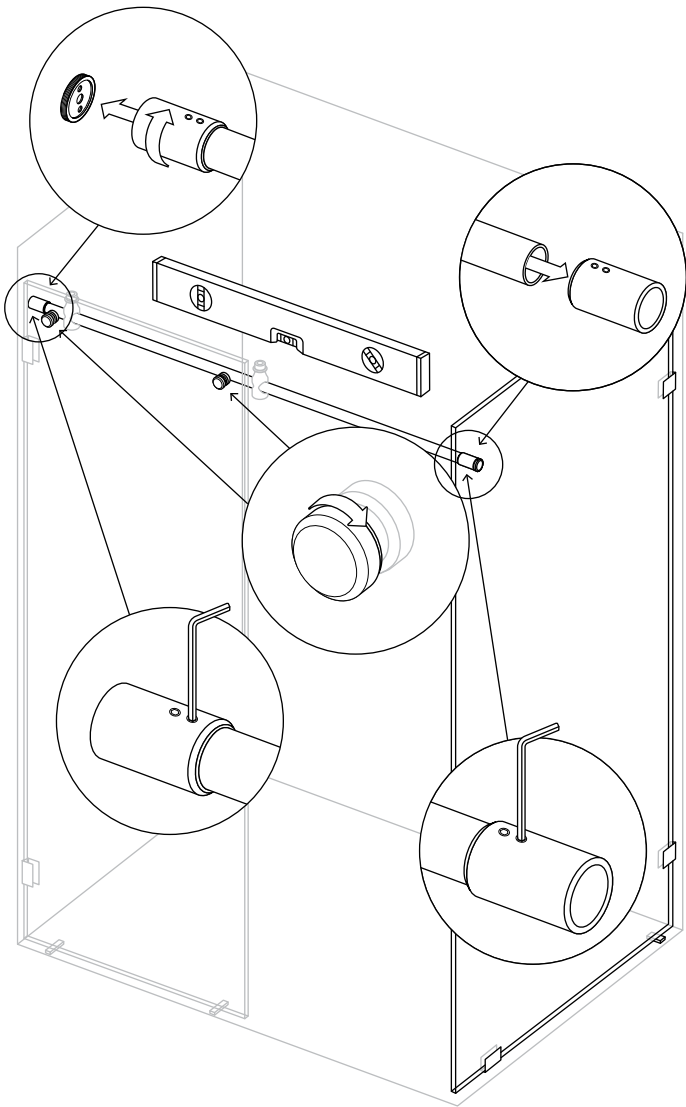
Using 6mm drill bit, drill hole and install wall anchor. Trim excess from the wall anchor hanging out of hole with utility knife.



18

Screw in flat fixing piece and Shower Rod Bracket.

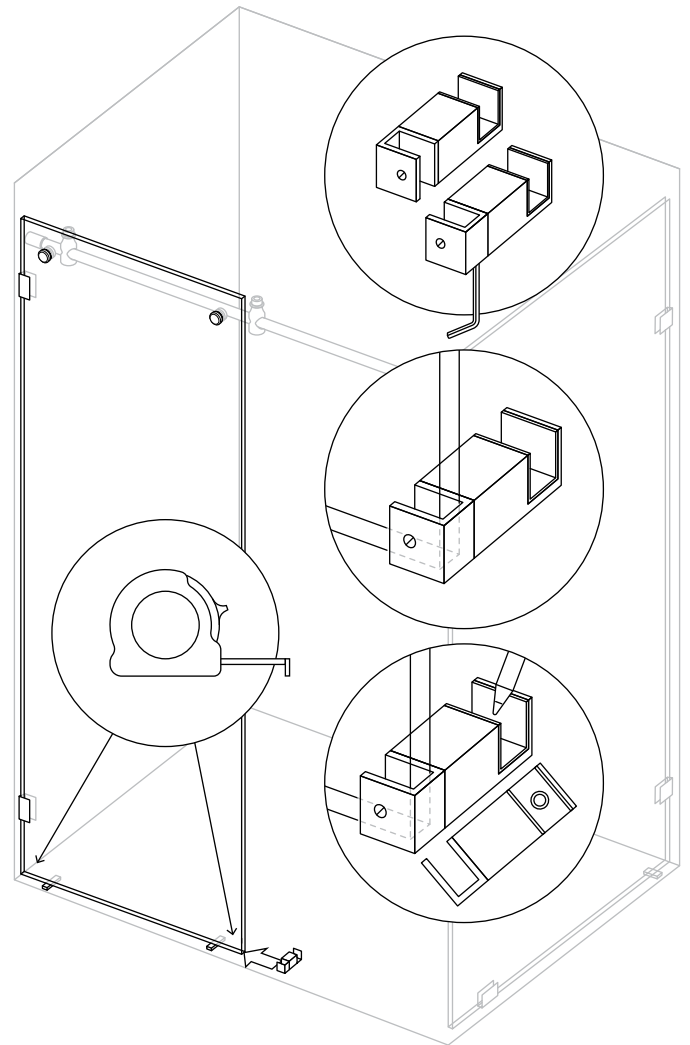
On Fixed Panel side wall install only the round flat fixing piece unscrewed from Shower Rod Bracket with rest of bracket remaining on rod. This allows you to slide the rod into one whole bracket on the Return Panel and then screw remaining bracket on opposing wall.



19

Complete Shower Rod install.

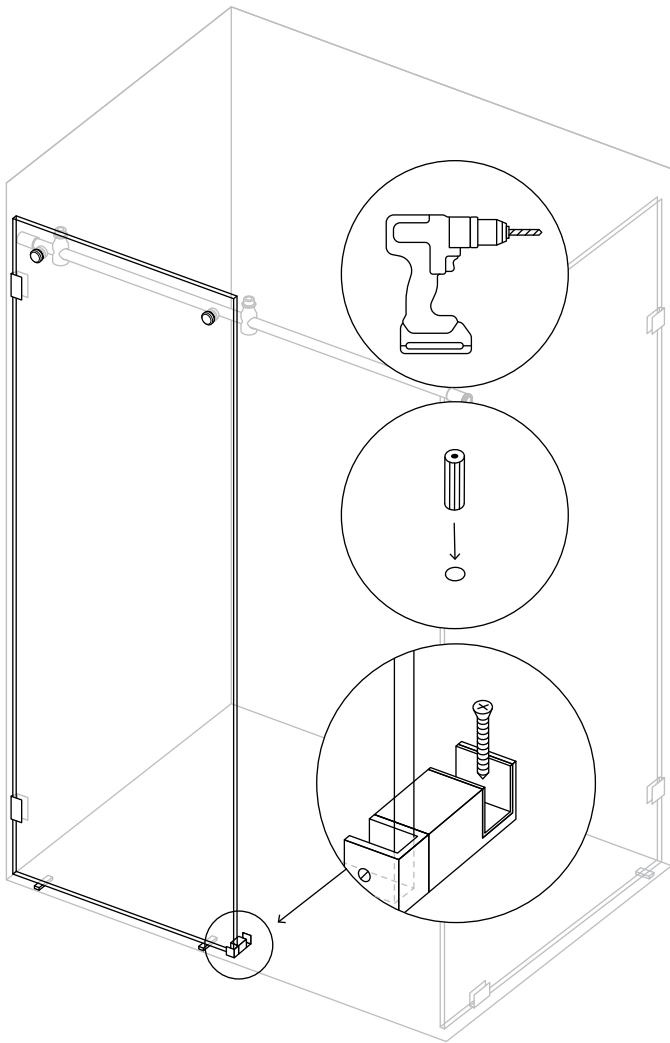
Tighten Fixed Panel Brackets and tighten the screws on Shower Rod Brackets.



20

Set Fixed Panel into Floor Bracket and mark hole.

Make sure the Fixed Panel is square to the walls (or is the same distance from the front of the threshold or fiberglass base). Check panel is level again. Loosen allen screw on bottom of Floor Bracket and rotate adjustable end which fits on Fixed Panel for either left or right installation. Mark hole to drill for Floor Bracket. Remove Floor Bracket before drilling.


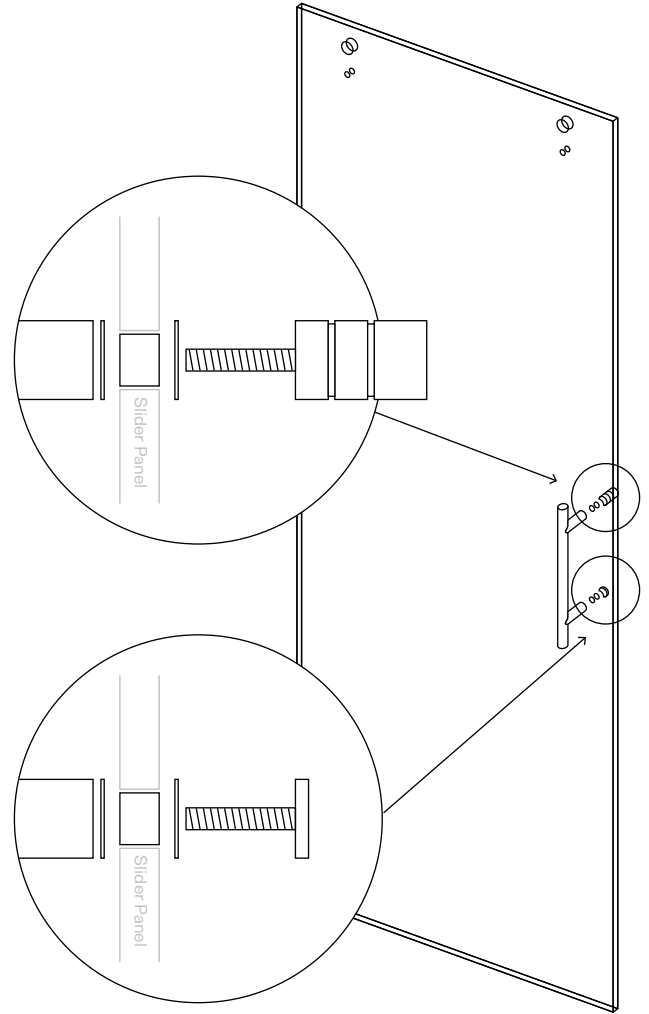


21

Drill hole, install anchor and install Floor Bracket.

Using a 6mm drill bit, drill hole and install anchor (if necessary). Trim excess from the anchor with utility knife. Fill this hole with a little bit of silicone to waterproof. Reinstall Floor Bracket, making sure that the plastic insert is in place inside Floor Bracket. Screw Floor Bracket down to secure.

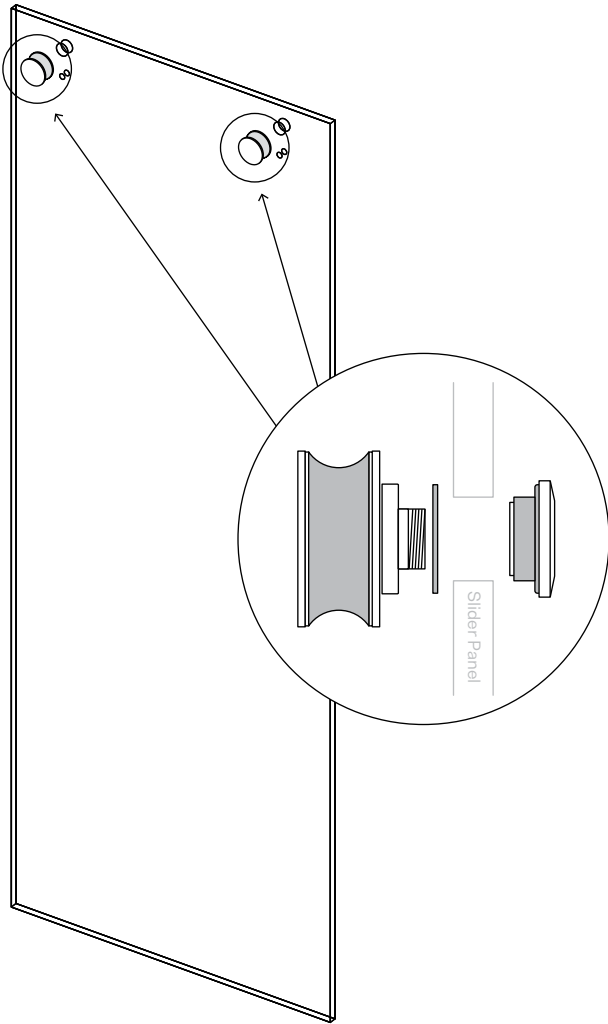
Important: When fixing floor clamp to fiberglass shower base use a 3mm drill bit to pre-drill the hole and screw directly into shower base. You will not use the green anchor on shower base.

22

Install Sliding Panel Handle.

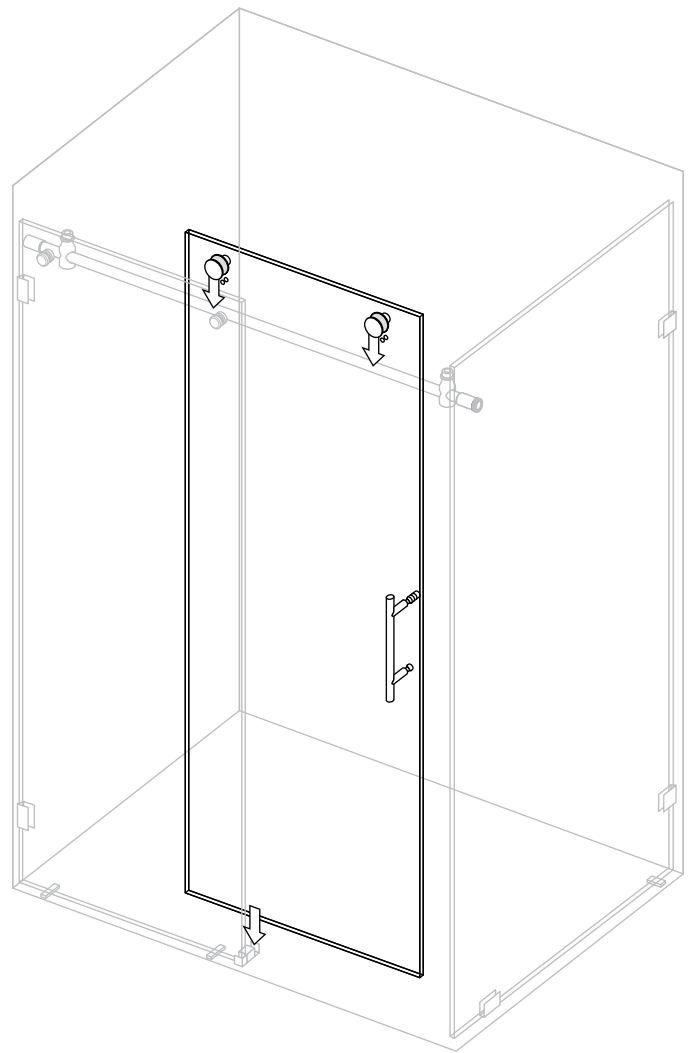
Carefully install the Slider Panel Handle on the Sliding Panel. Be sure that Slider Panel is sitting on folded cardboard to avoid cracking or chipping.



23

Install Sliding Panel Rollers.

Carefully install the Slider Panel Rollers on the Slider Panel. Be sure that Slider Panel is sitting on folded cardboard to avoid cracking or chipping.



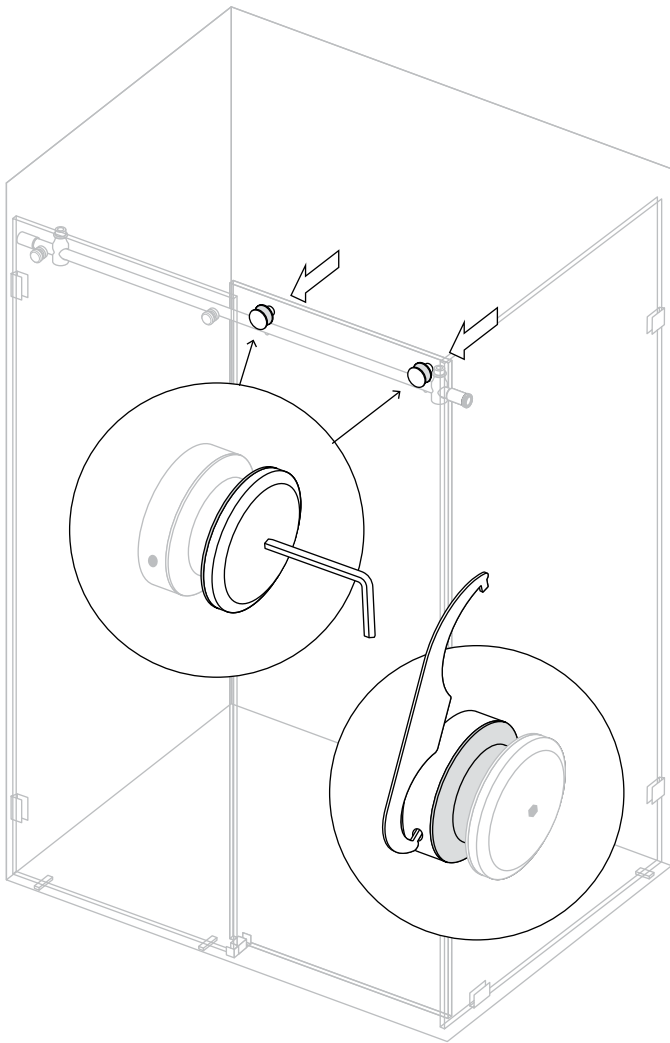
24

Install the Slider Panel.

Lift the door and slowly lower the rollers onto the shower rod. When lowering the panel be sure the bottom of Slider Panel slides into the floor bracket.

Important: Gently slide door from side to side making sure it is not binding anywhere along the bottom. Check the door is level and lines up evenly with the wall.



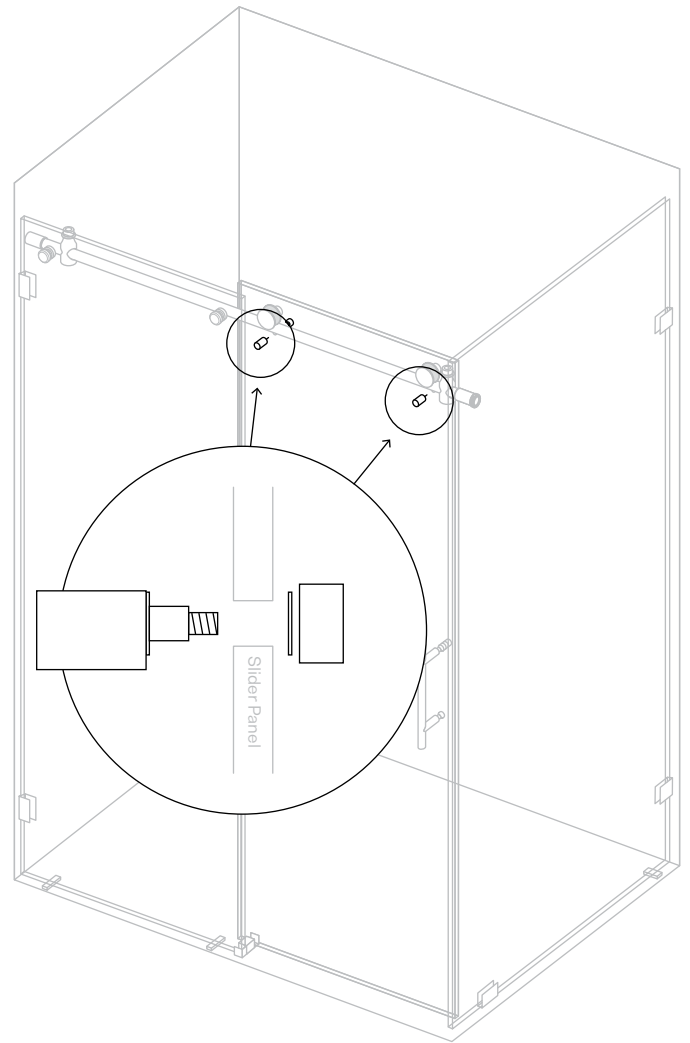


25

Level and adjust Slider Panel Rollers.

If Slider Panel is not level when hung from Rollers you can use the Roller Adjustment Tool to level it up.

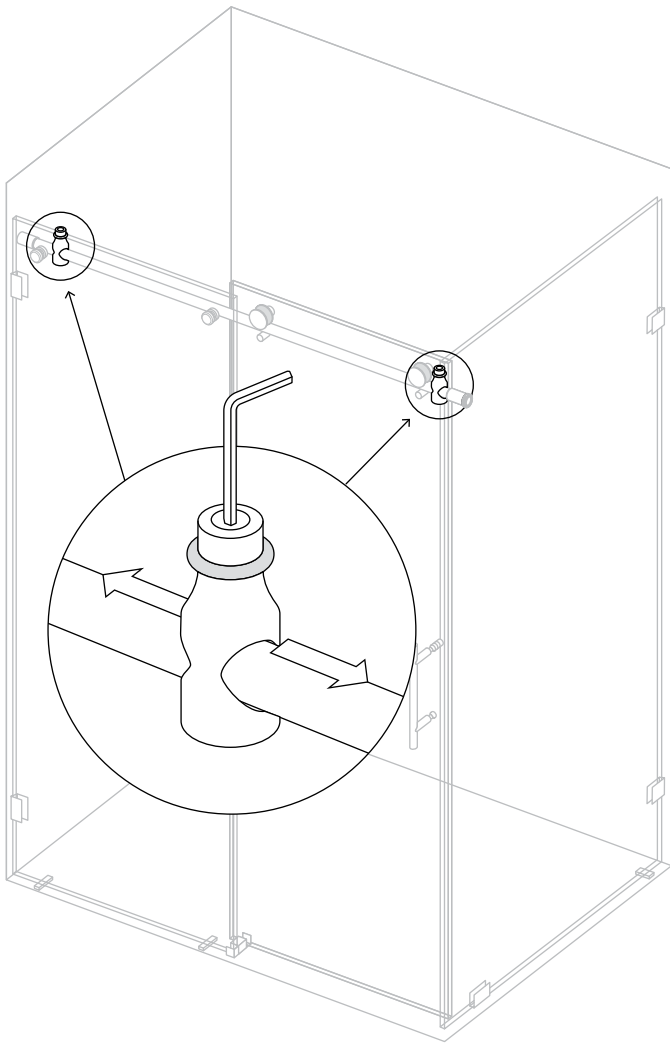
Slightly loosen the Allen bolt on back of Roller. Insert Roller Adjustment Tool into the hole on the edge of the roller backing plate and turn it to adjust level. Once Slider Panel is level, tighten Allen bolt on back of Roller.



26

Install the Roller Guides.

Install Roller Guide clips on Slider Panel to prevent the door from being able to come off rollers. Make sure there's no more than a 1mm gap between the guides and the Shower Rod. The Roller Guides need to be almost touching the Rod to insure that the sliding door is completely secure.



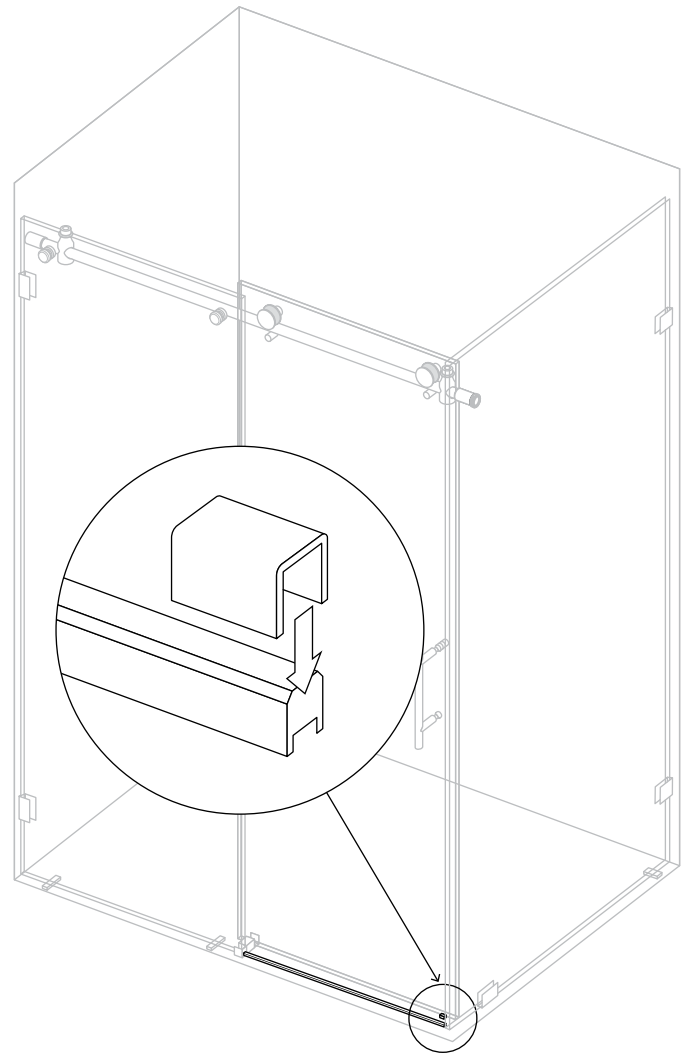
27

Adjust Slider Panel Stoppers.

Important: Slide door gently when testing door stops so as not to damage the door or the fixed panel.



Adjust location of Slider Stoppers on Shower Rod to ensure the Slider Panel does not touch the Return Panel and the Slider Panel Handle does not touch the Fixed Panel.

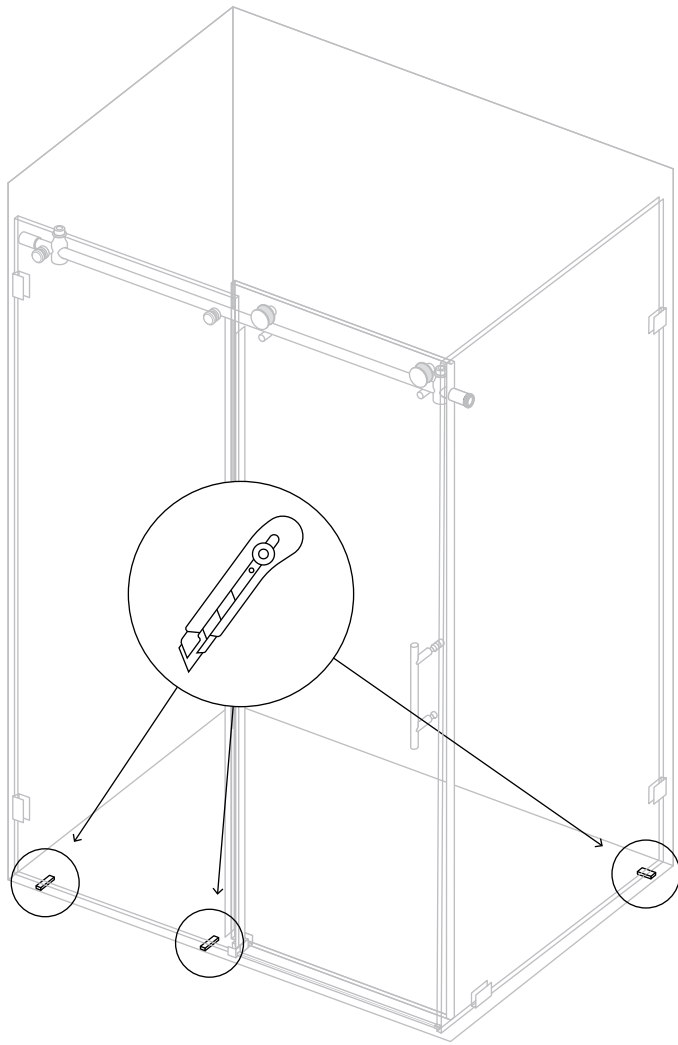


28

Install Aluminum Floor Strip and optional Cap.

Install Aluminum Floor Strip to prevent water leakage. Measure distance from Floor Bracket to Return Panel and cut Aluminum Floor Strip to fit. Apply a small bead of silicone under strip for waterproofing and set in place. If Aluminum Floor Strip is cut slightly short, apply a small bead of silicone under Aluminum Floor Strip Cap and place on top of cut end of Aluminum Floor Strip as close to the Return Panel as possible.

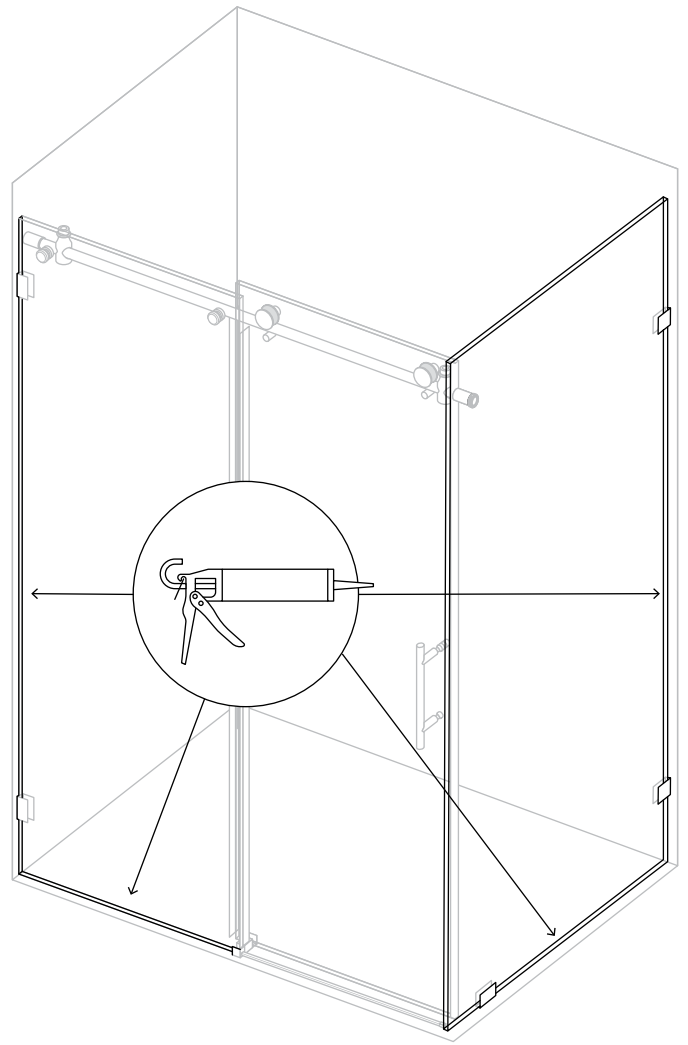
Tape aluminum strip to floor surface using masking tape and allow to dry for 24 hours.



29

Trim Rubber Blocks.

Trim the Rubber Blocks under the Fixed Panel and Return Panel with a utility knife so that they are flush with the glass panel resting on top of them.



30

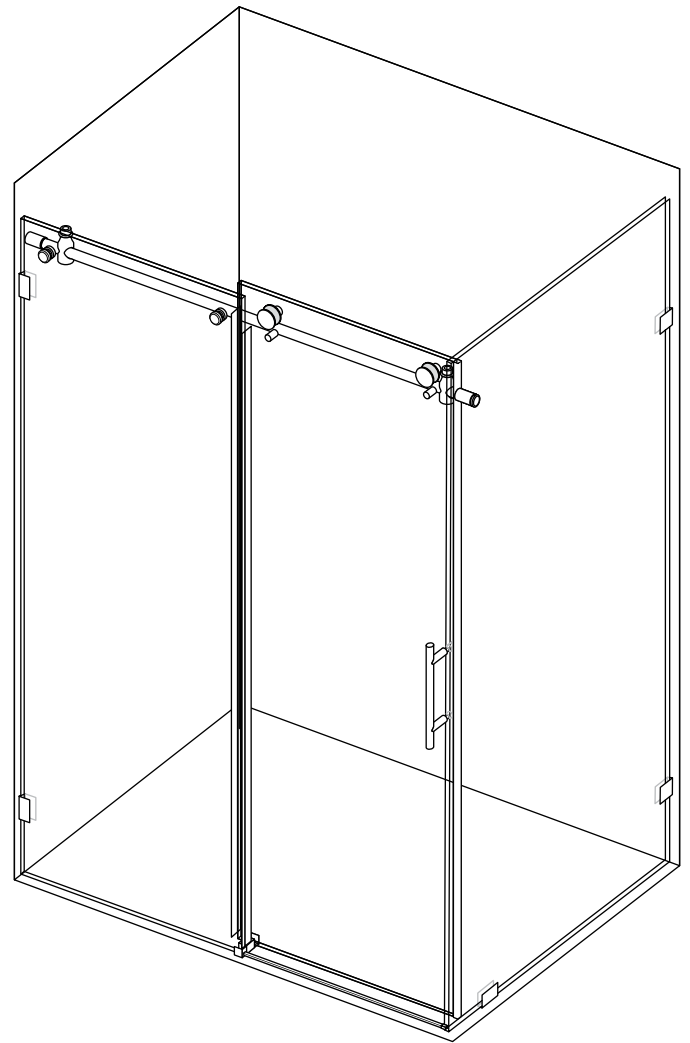
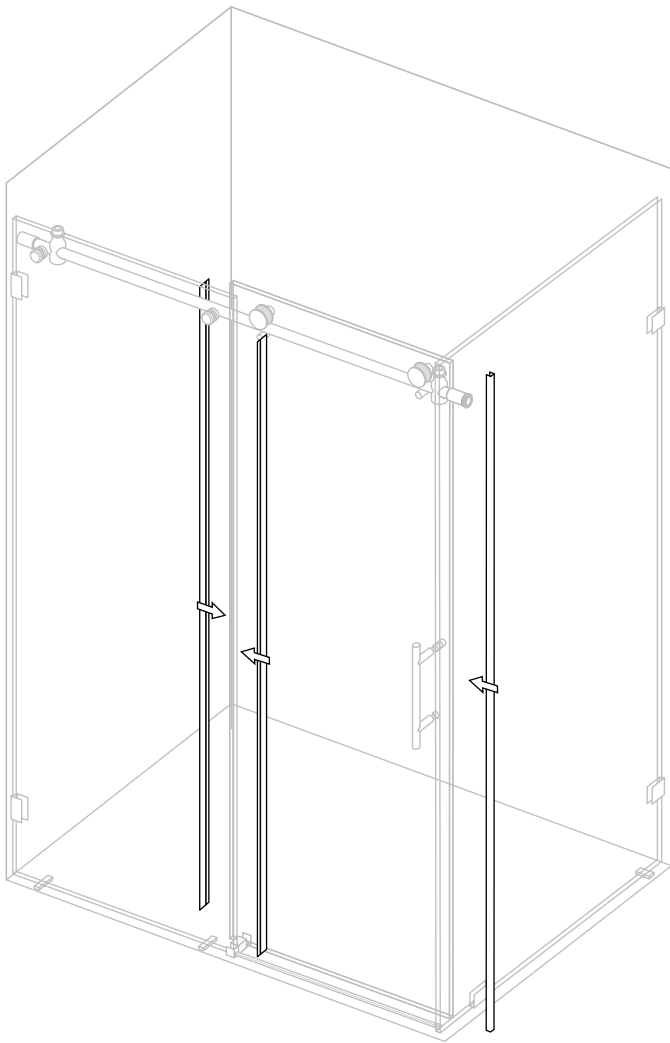
Apply silicone to seal Panels.

Apply silicone around the wall and floor surface of the Fixed Panel and Return Panel. You need to silicone both the inside and outside edges ensuring the gap between glass and tile is completely sealed.

Once sealed, spray the silicone with water and use a spatula (available in our Install Kit) to remove any silicone residue.

Important: It is critical that the silicone is given 24 hours to set and cure.





31

Install Weather Strips.

Install the plastic weather strip on panels. The shortest Weather Strip goes on the edge of the Fixed Panel. The longest piece goes on the outer edge of the Slider Panel near the handle. The mid-length piece goes on the inside of the Slider Panel.

Once silicone has cured, you're done!

Please register your warranty using the instructions on the back cover of this document.

Care & Maintenance



EnduroShield makes cleaning easier and less frequent; however it is recommended that you continue to clean the surfaces regularly.

Maintaining the Treated Surface

For best results simply drying the glass with a squeegee or towel after each use will help keep the glass clean and reduce mineral spots forming. The glass needs to be cleaned every few weeks using a damp microfiber cloth and a mild detergent to break down soaps, oils, and conditioners on the glass. General glass cleaners are also suitable, however most of these are finishing agents rather than cleaners, and are an added expense that is not required.

Hard Water Maintenance

In hard water areas, or areas where water drops dry and leave a noticeable dust mark, a build of minerals may occur on the protective treatment. While these may not be removed as easily with the mild detergent, mild acids will often remove the marks quickly. As needed white vinegar should be used to wipe down the glass. Keep in mind the vinegar may be diluted with water, however dilution reduces the effectiveness.

Spray vinegar onto the glass and allow to soak for several minutes. This should dissolve any mineral deposits that have built up on the glass surface. A damp microfiber cloth should then be used to wipe over the surface. For extreme hard water areas we recommended using undiluted vinegar every week or so as a cleaning option to reduce this build up on the surface, rather than allowing the build up to continue over a long period of time.

Caution: Prohibited Products *Note these may damage the treatment and void any warranty

- Avoid the use of any abrasives or polishes including water spot removers, toothpaste, polishes, rough, or gritty substances
- Avoid the use of acids or alkalis that you would not want in contact with your skin for an extended period of time
- Avoid products such as Comet, Ajax, Jiff or Cerium Oxide which polish back the actual substrate
- Avoid the use of any harsh or chemical cleaners, with correct maintenance these are never required

Approved Cleaning Products

The below products have been tested for compatibility with EnduroShield, however there are no specific products that must be used. We feel you should not be required to purchase extra products in order to keep your glass clean. With correct maintenance, all you need for clean glass beyond 10 years is a squeegee, a mild liquid dish soap, and white vinegar.

Any product that does not fall into the prohibited categories listed above will be fine, and below is a short list of acceptable products:

- Windex
- SprayWay (or other alcohol based foaming cleaners)
- Scrubbing Bubbles (or other automatic leave-to-dry daily shower cleaners)
- 7th Generation, Dawn (or other mild eco friendly cleaners)
- CLR (Calcium Lime Rust)
- Mr. Clean Magic Eraser (when damp)

It should be noted that with any cleaner used on the EnduroShield surface a thorough rinse with clean water should follow immediately. Although these cleaners can be used, EnduroShield is designed to be an 'easy clean coating' that does not require harsh or toxic cleaning chemicals to maintain the surface effectively.

If for any reason the recommended maintenance has not been followed for some time, just as it took time for the build up to occur, it will take time to remove the debris from the protected glass surface. This can most commonly be achieved using undiluted white vinegar dampened on a Magic Eraser, or CLR on a Magic Eraser. Depending on the severity of the build up this may take multiple attempts, but once the glass is clean again it will perform like new. Should you have any queries regarding the cleaning of your treated surfaces please contact EnduroShield.

tel: 02 9674 9299
email: sales@enduroshield.com
www.enduroshield.com

FUTUREGLASS

Thank you
for your purchase.

If for any reason you are having trouble with installation, or if the size of the product does not fit your designated space, please contact Future Glass directly and do not return this product to place of purchase.

Future Glass takes pride in providing quality products and customer service. We want to ensure your happiness with your purchase for years to come. We have an extensive range of sizes, so no matter what your measurements are, Future Glass can supply the product to fit!

If you have any questions, please do not hesitate to reach out to us. Thank you again for choosing Future Glass!

Best Regards,

The Team at Future Glass
www.futureglass.com.au
futureglass@aquilia.com.au