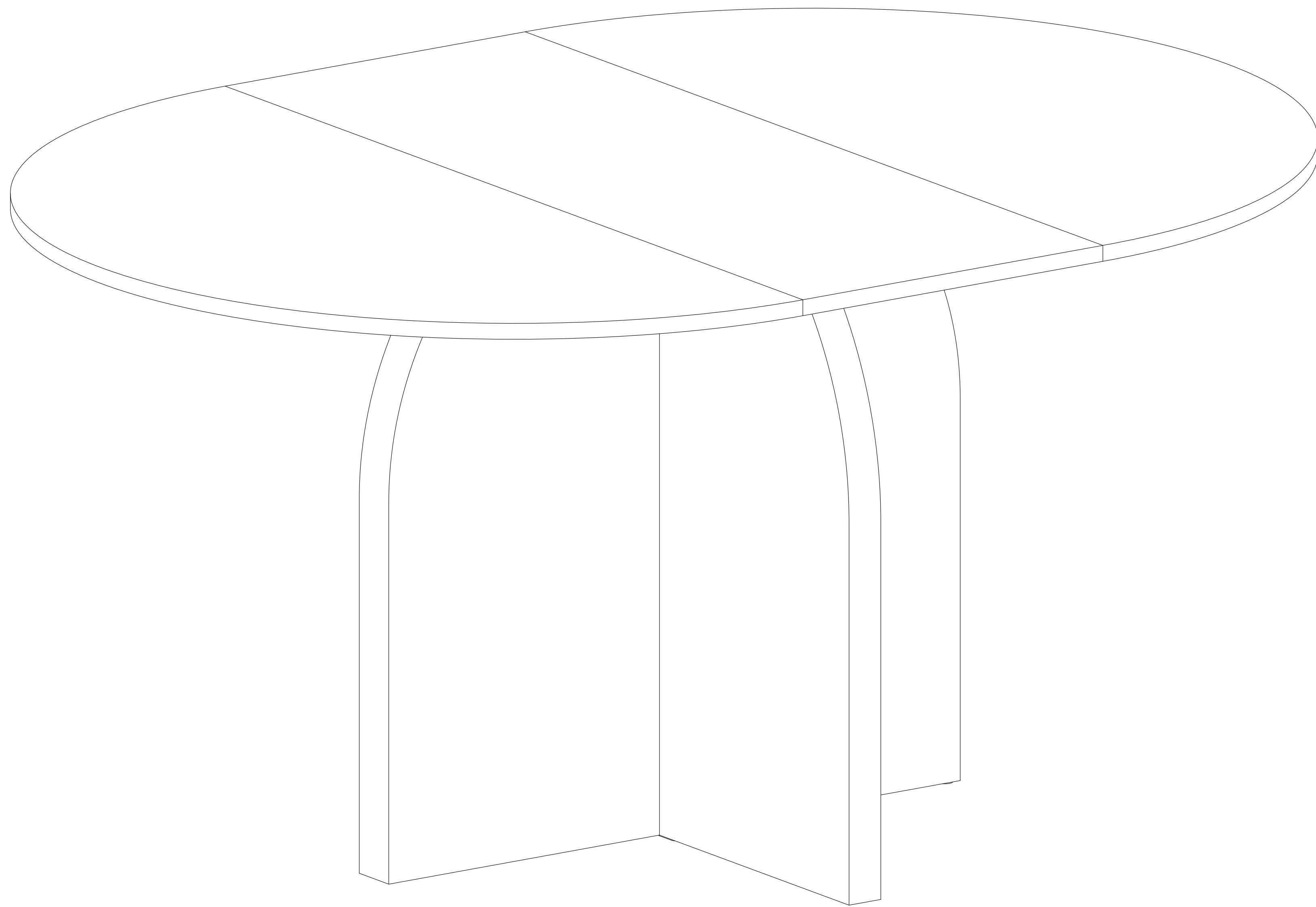


Assembly instruction

Dining Table

SKU:IHD-DT04



Customer Service Before Return:

If part is missing or damaged, or you need help with assembly,
Please do not hesitate to contact us.

SELLER CONTACT INFORMATION:

contacts@ihomdec.com

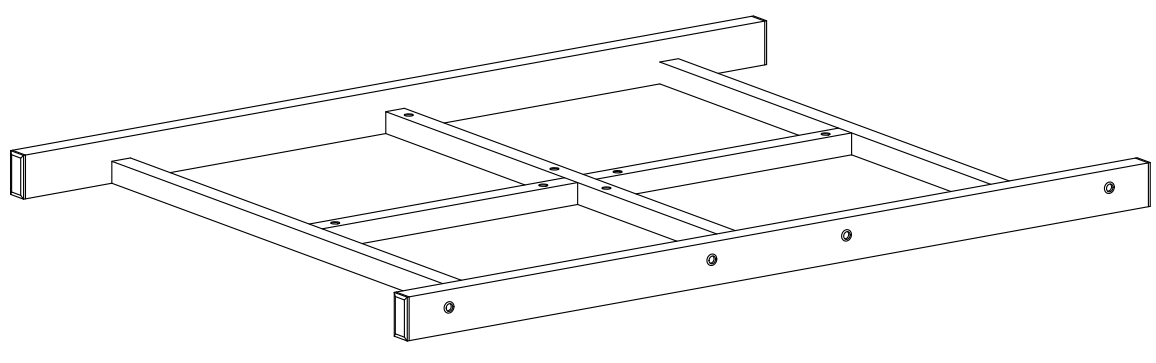
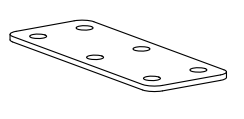
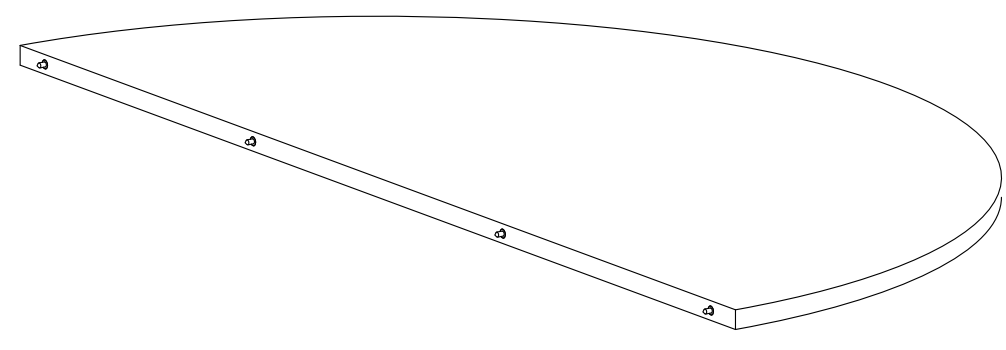
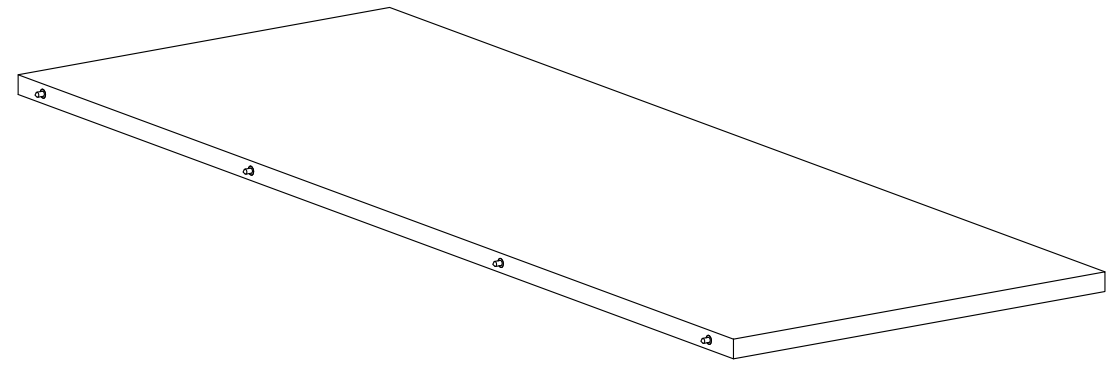
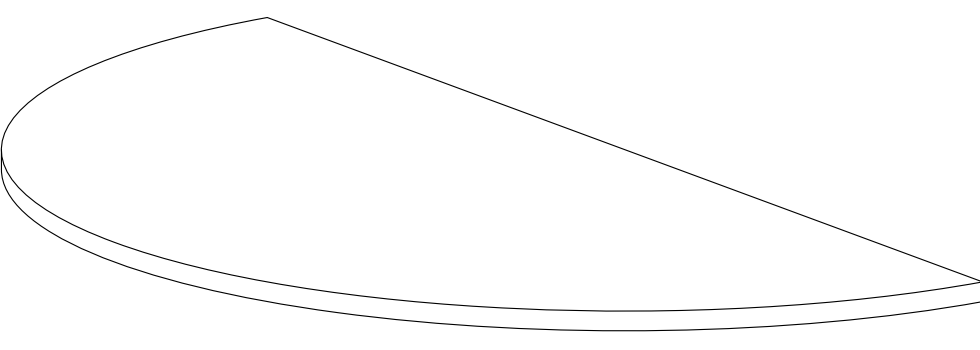
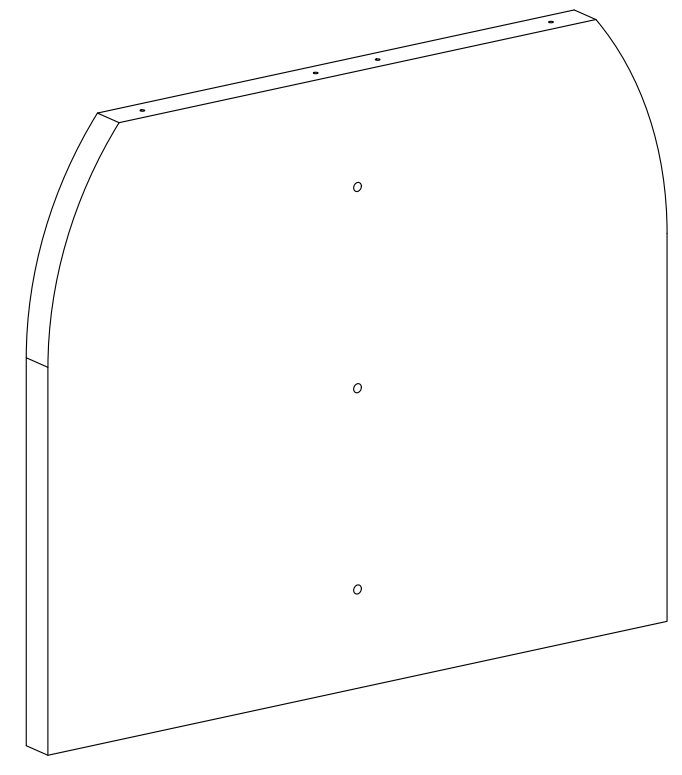
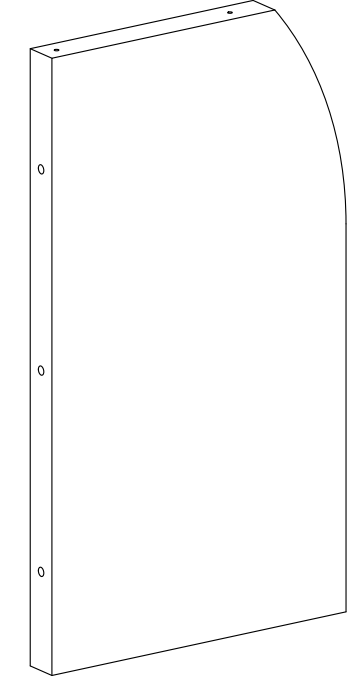
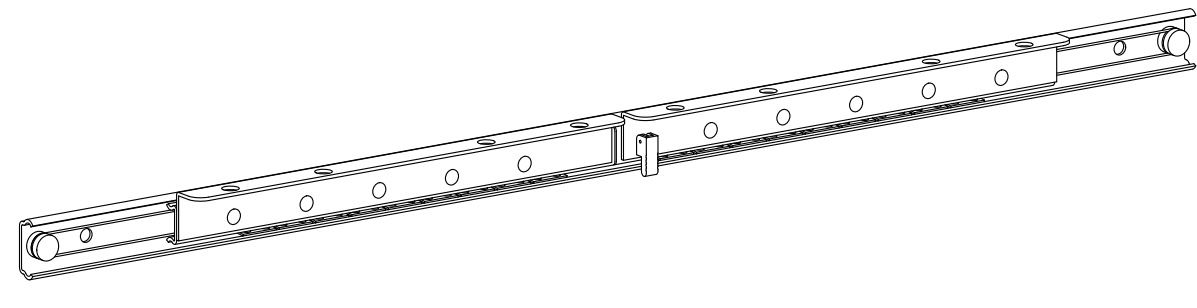
IHD25-ZZHY-04

Before Assembly

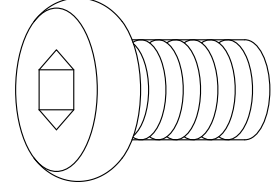
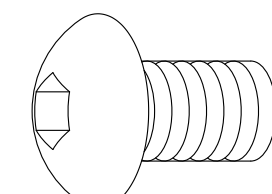
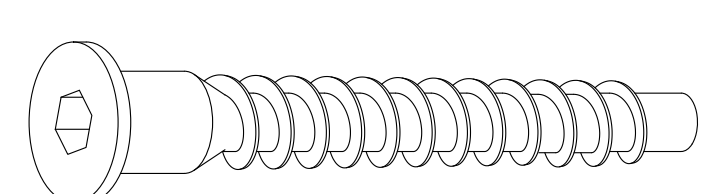
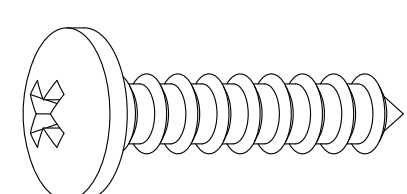
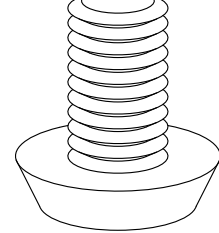
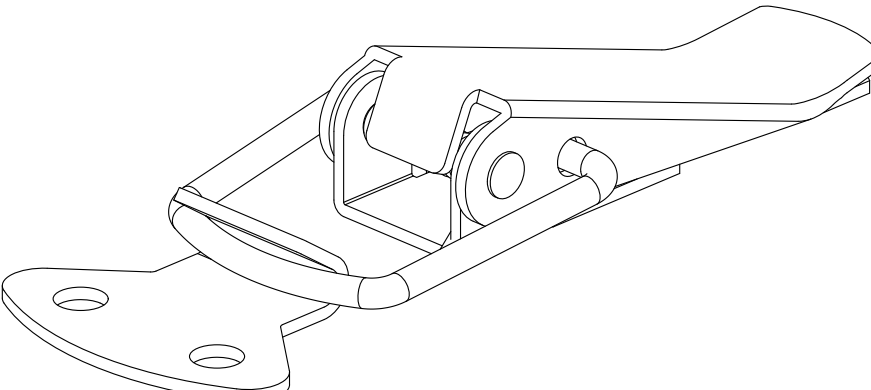

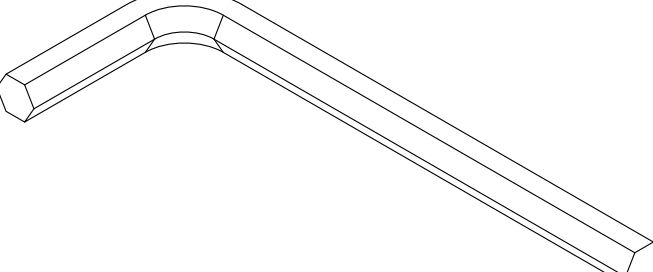
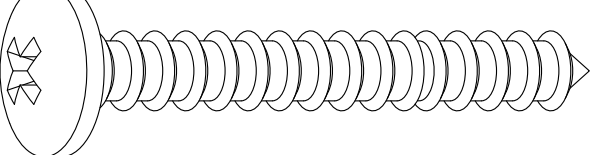
IMPORTANT NOTE:

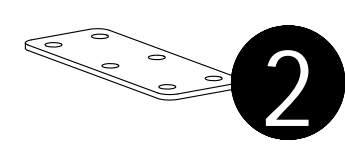
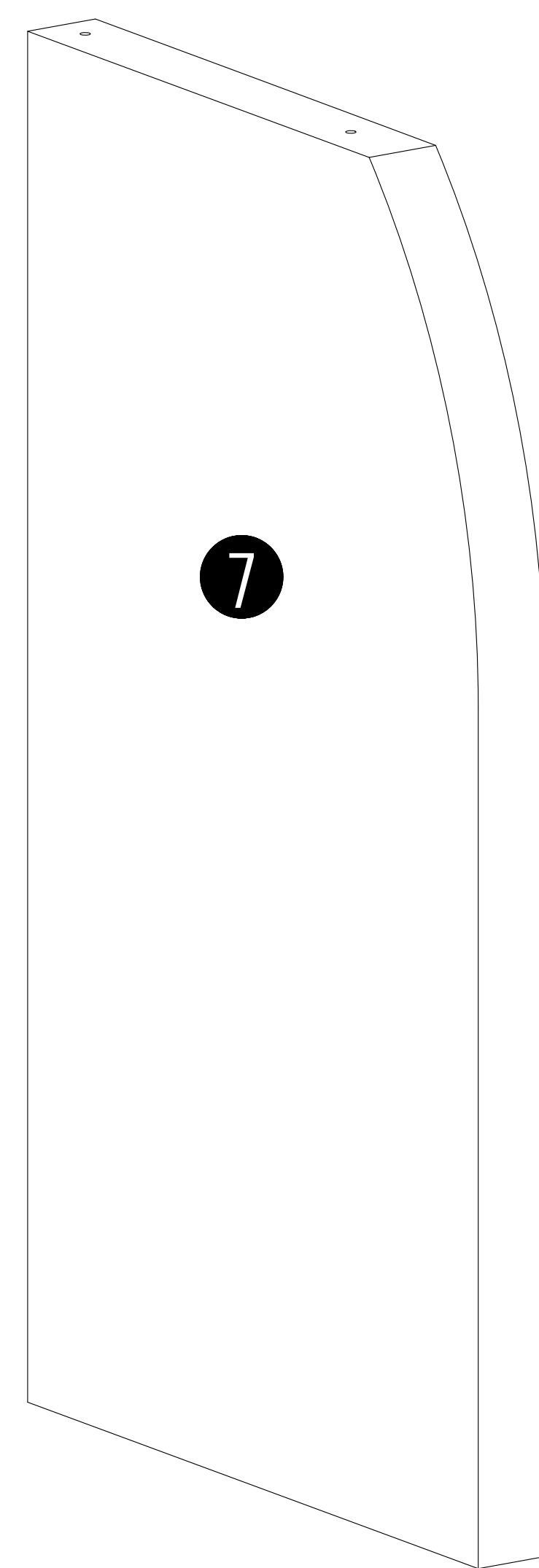
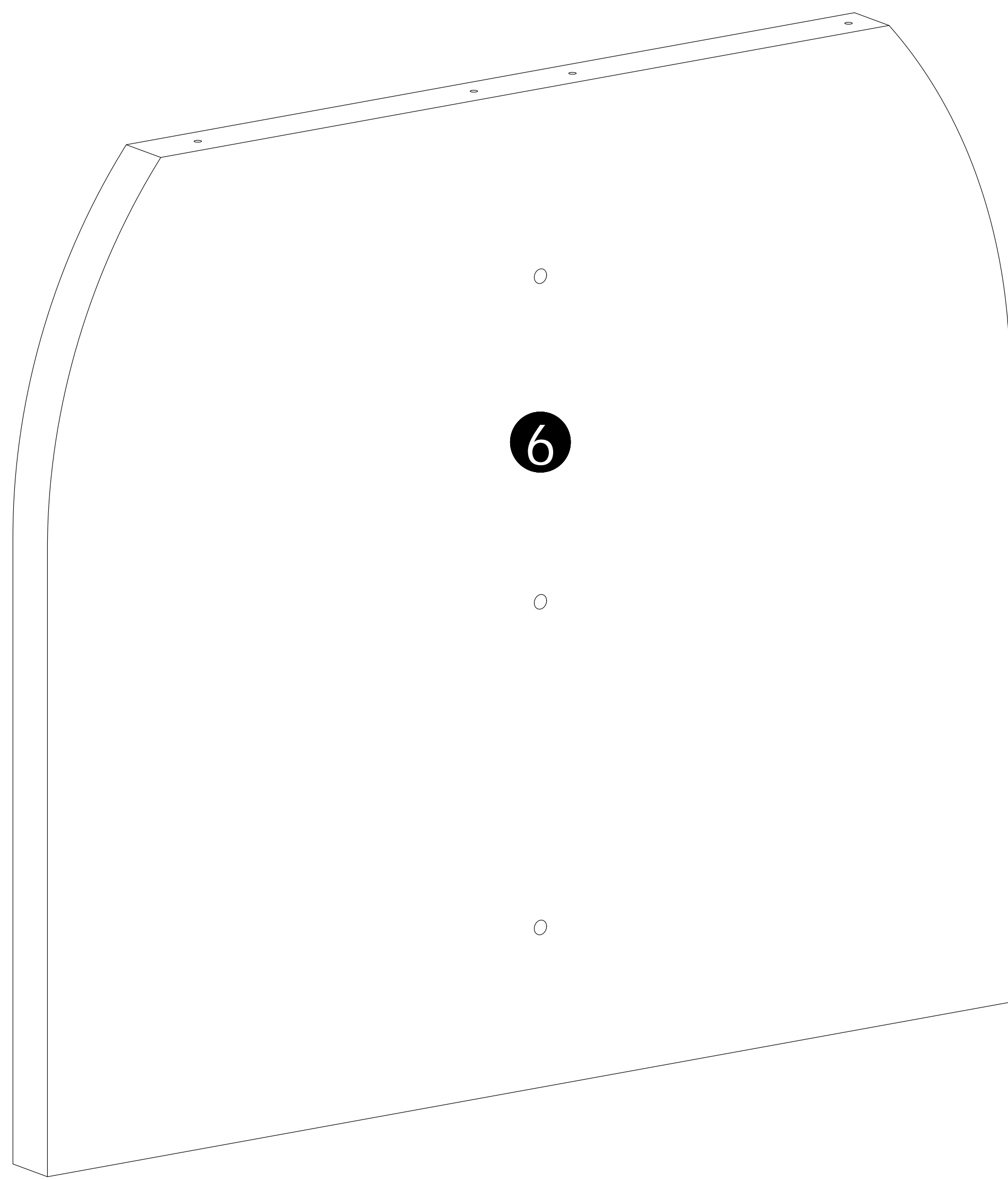
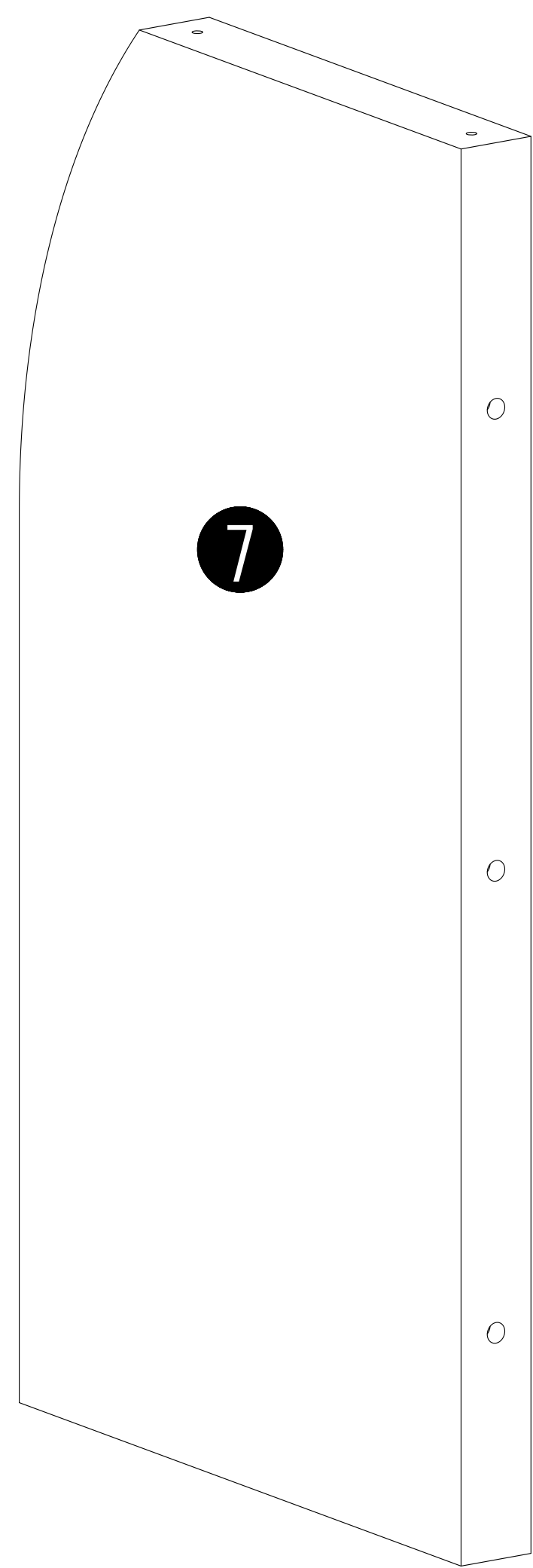
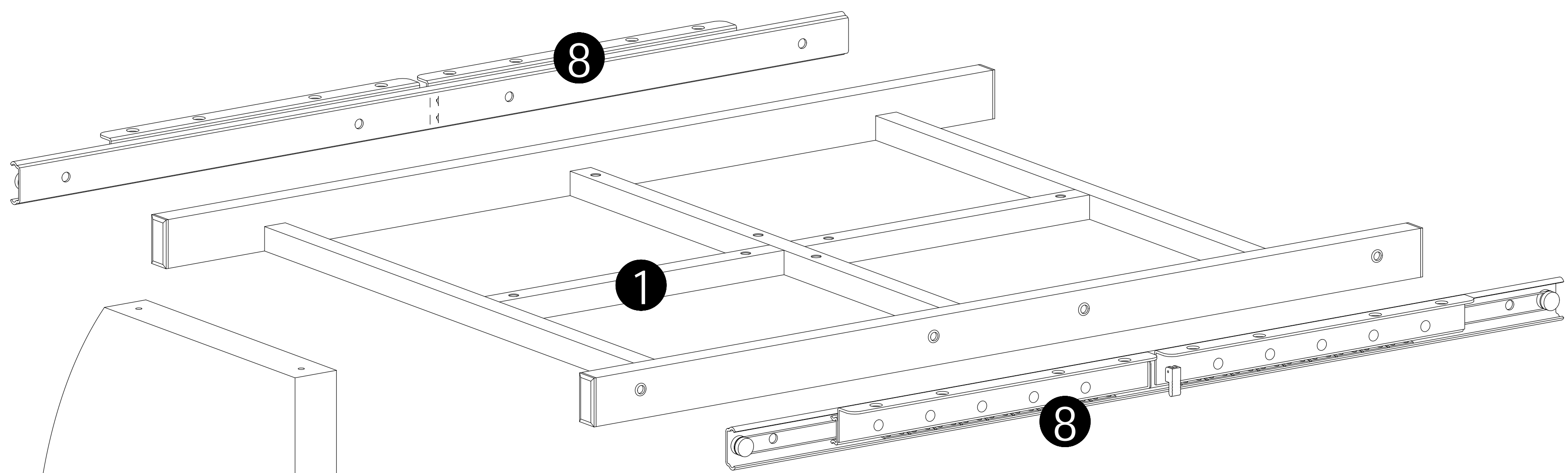
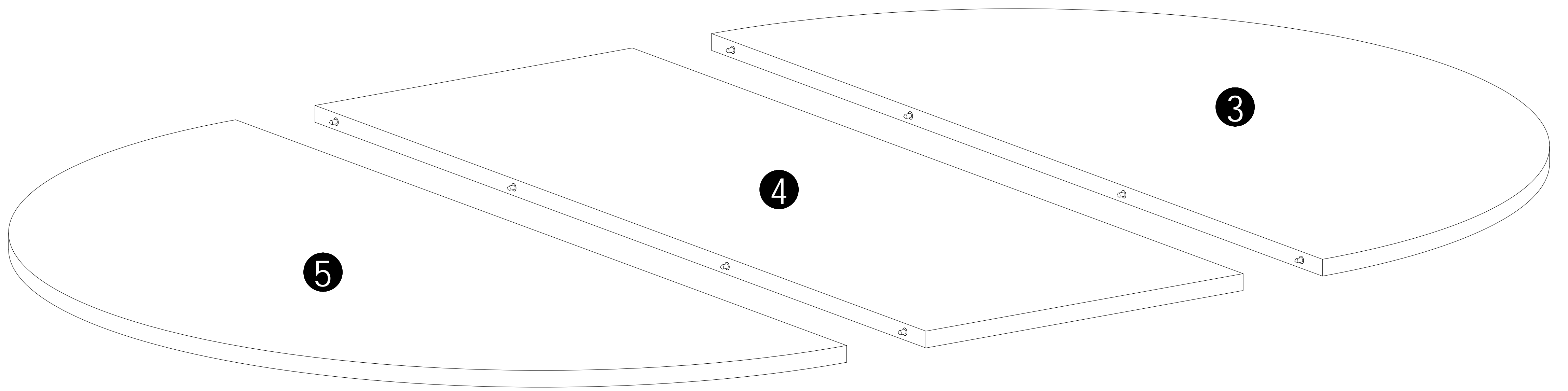
- Make sure parts hardware are included and free of obvious defect before disposing of any packaging
- Place all wooden parts on a clean and smooth surface such as a rug or carpet to avoid the parts from being scratched.
- DO NOT tighten all screws and bolts until completely assembled.
- Assembly will require two people.

PART LIST

 <p>1</p>	 <p>2</p>	 <p>3</p>	 <p>4</p>
1PC	1PC	1PC	1PC
 <p>5</p>	 <p>6</p>	 <p>7</p>	 <p>8</p>
1PC	1PC	2PCS	2PCS

HARDWARE LIST

<p>A</p>  <p>M6 x 12mm</p>	<p>B</p>  <p>M6 x 12mm</p>	<p>C</p>  <p>Ø6.3 x 50mm</p>	<p>D</p>  <p>Ø4.0 x 12mm</p>
<p>8PCS</p>	<p>16PCS</p>	<p>8PCS</p>	<p>16PCS</p>
<p>E</p>  <p>Ø19mm</p>	<p>F</p>  <p>4PCS</p>	<p>G</p>  <p>Ø10 x 30mm</p>	<p>H</p>  <p>4mm</p>
<p>4PCS</p>	<p>4PCS</p>	<p>6PCS</p>	<p>2PCS</p>
<p>J</p>  <p>Ø4.0 x 35mm</p>			
<p>6PCS</p>			



NOTED:

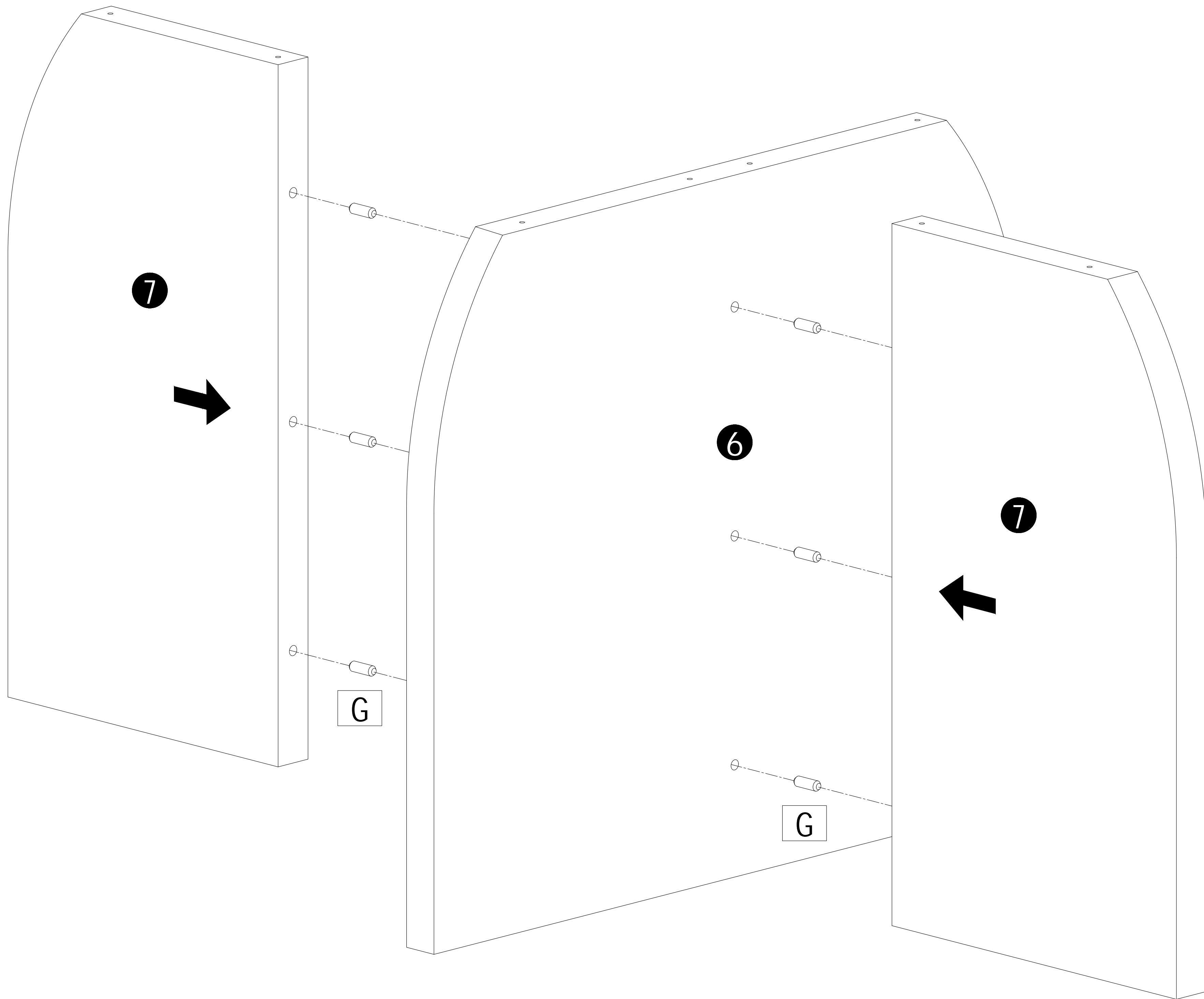
1. Do not fully tighten all bolts until all parts are in place. Failure to follow these instructions may cause the bolt to misalign during assembly.

2. To prevent injury and property damaged from unexpected tipping of furniture, we highly recommend installation of the anti-tip kit included with this product.

Step 1

YOU WILL NEED

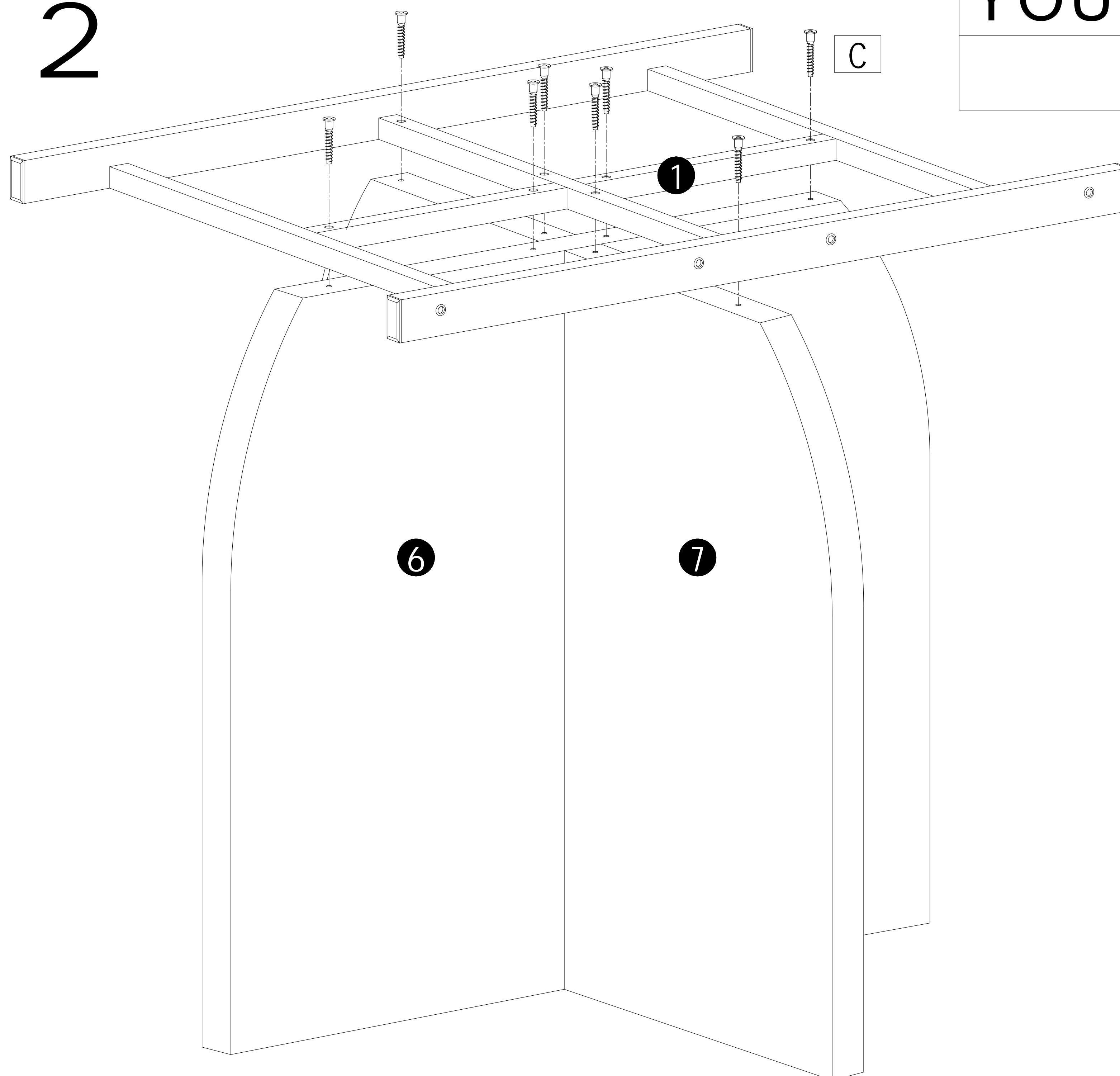
Gx6



Step 2

YOU WILL NEED

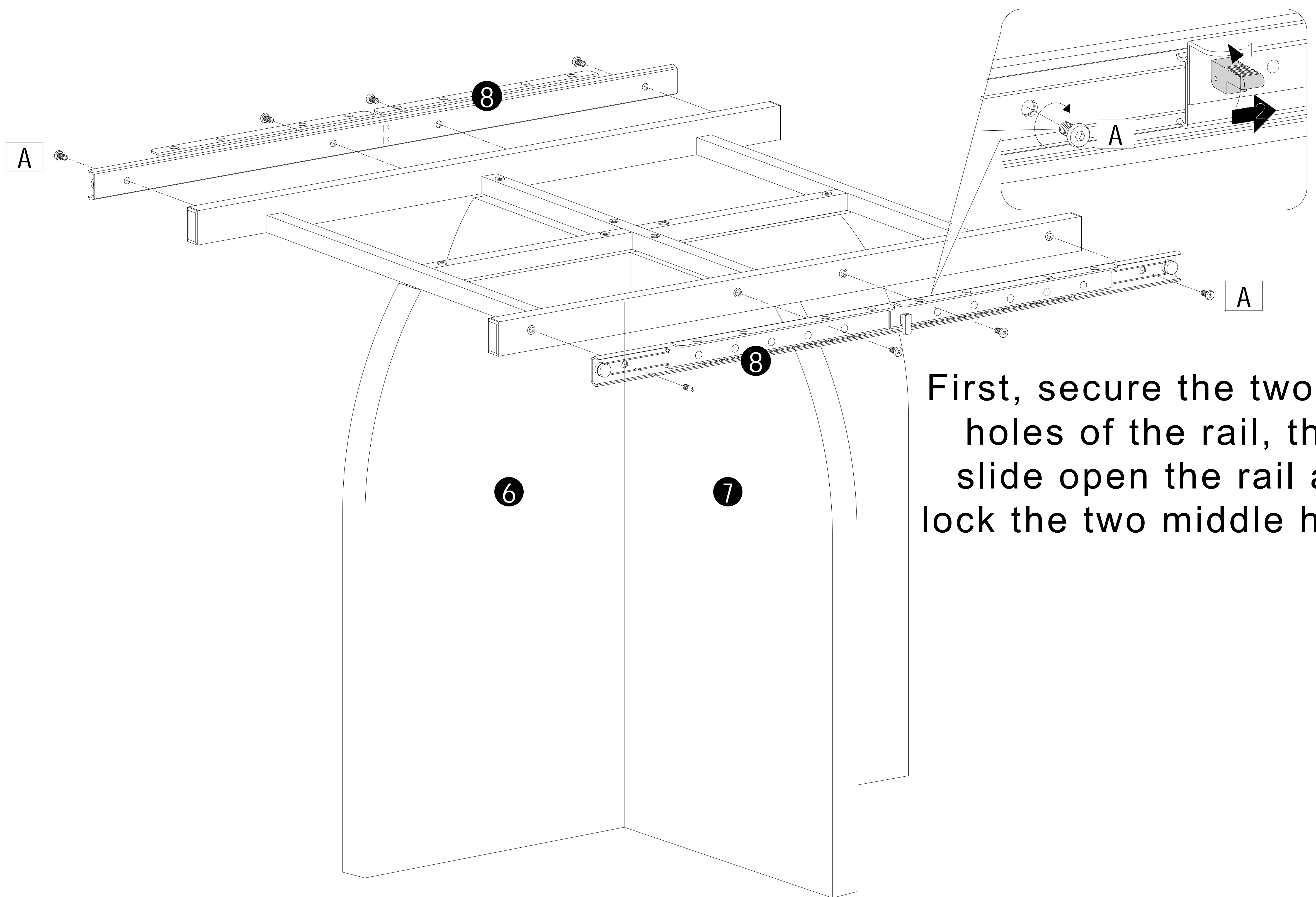
Cx8



Step 3

YOU WILL NEED

Ax8

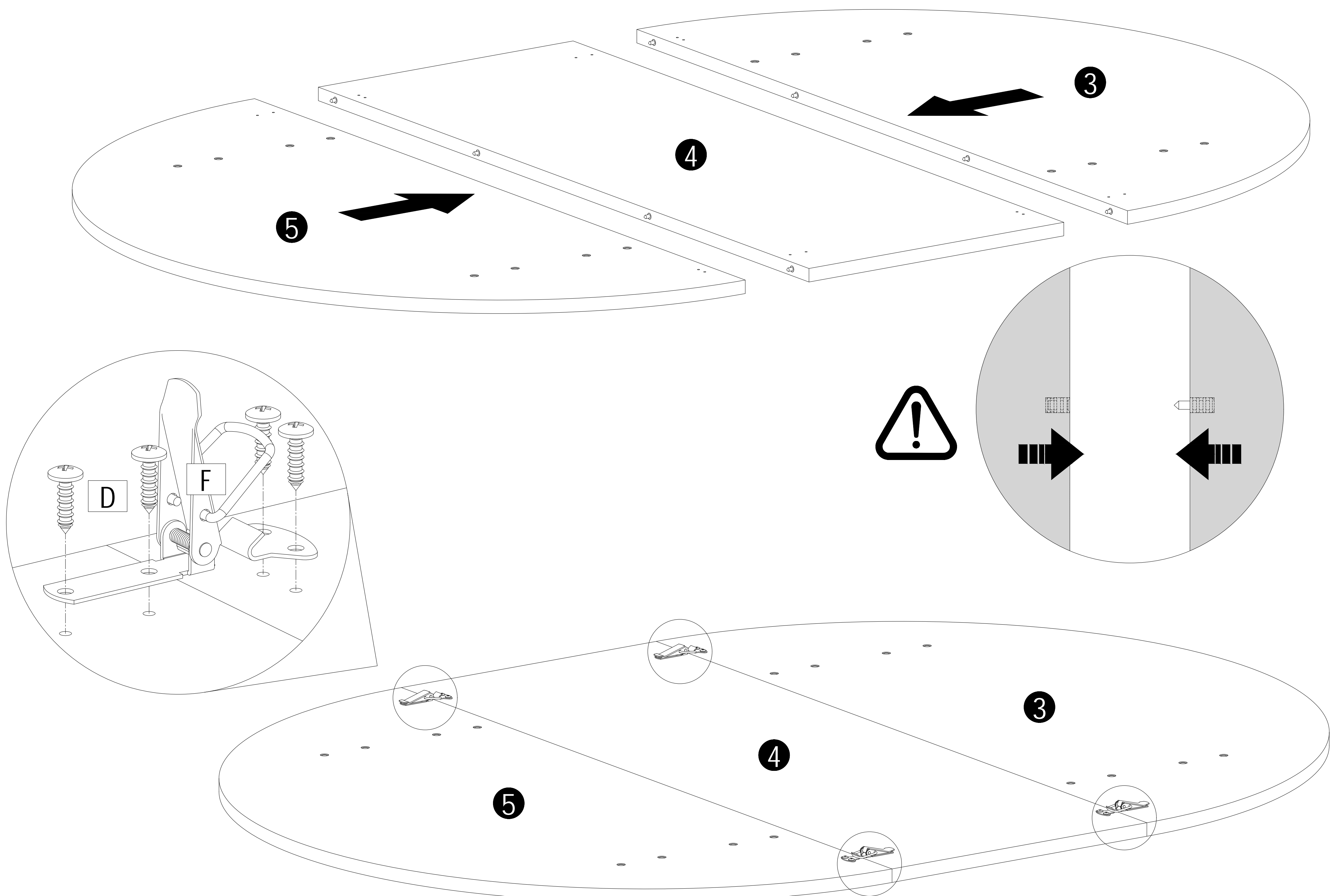


First, secure the two side holes of the rail, then slide open the rail and lock the two middle holes.

Step 4

YOU WILL NEED

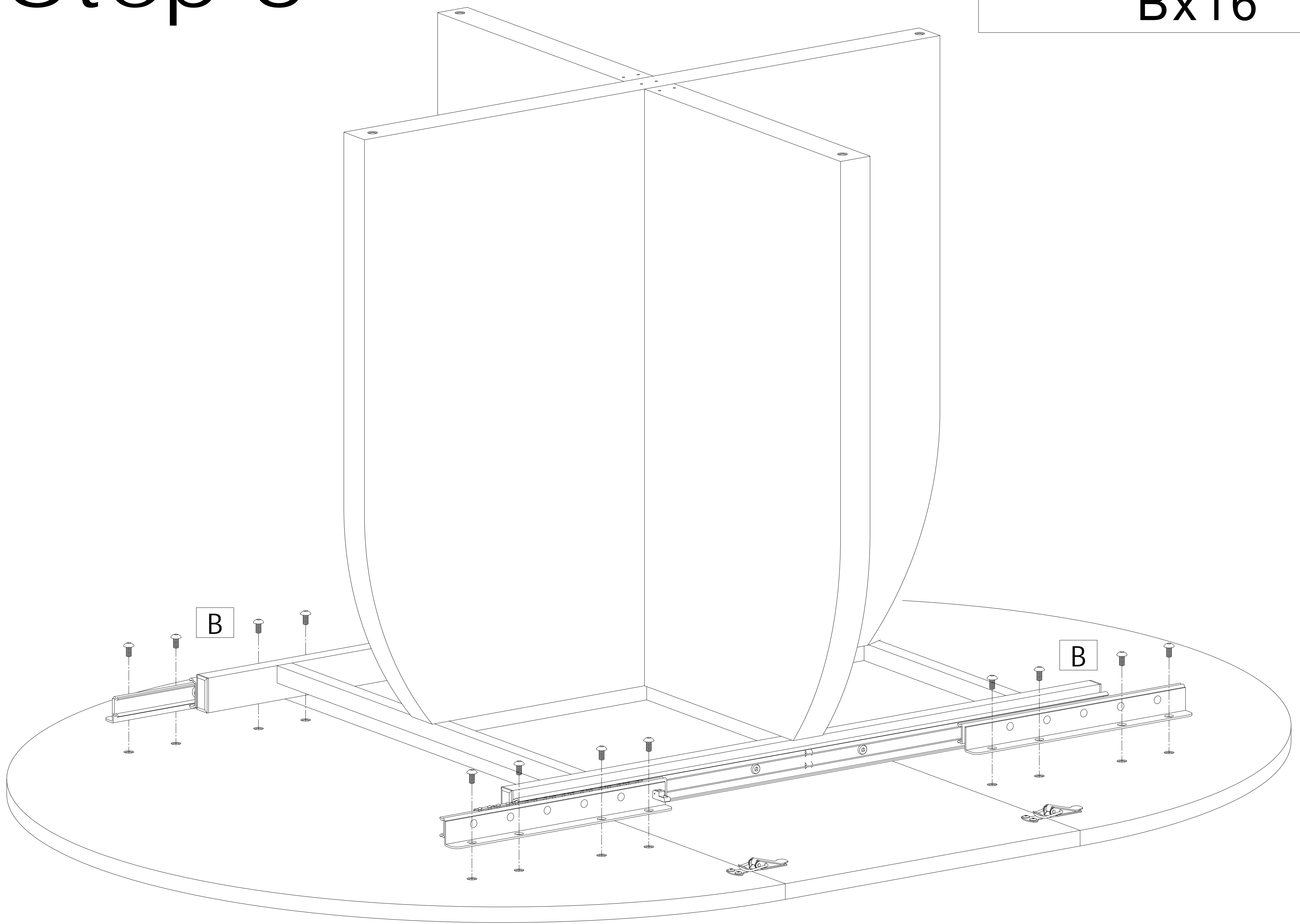
Dx16/Fx4



Step 5

YOU WILL NEED

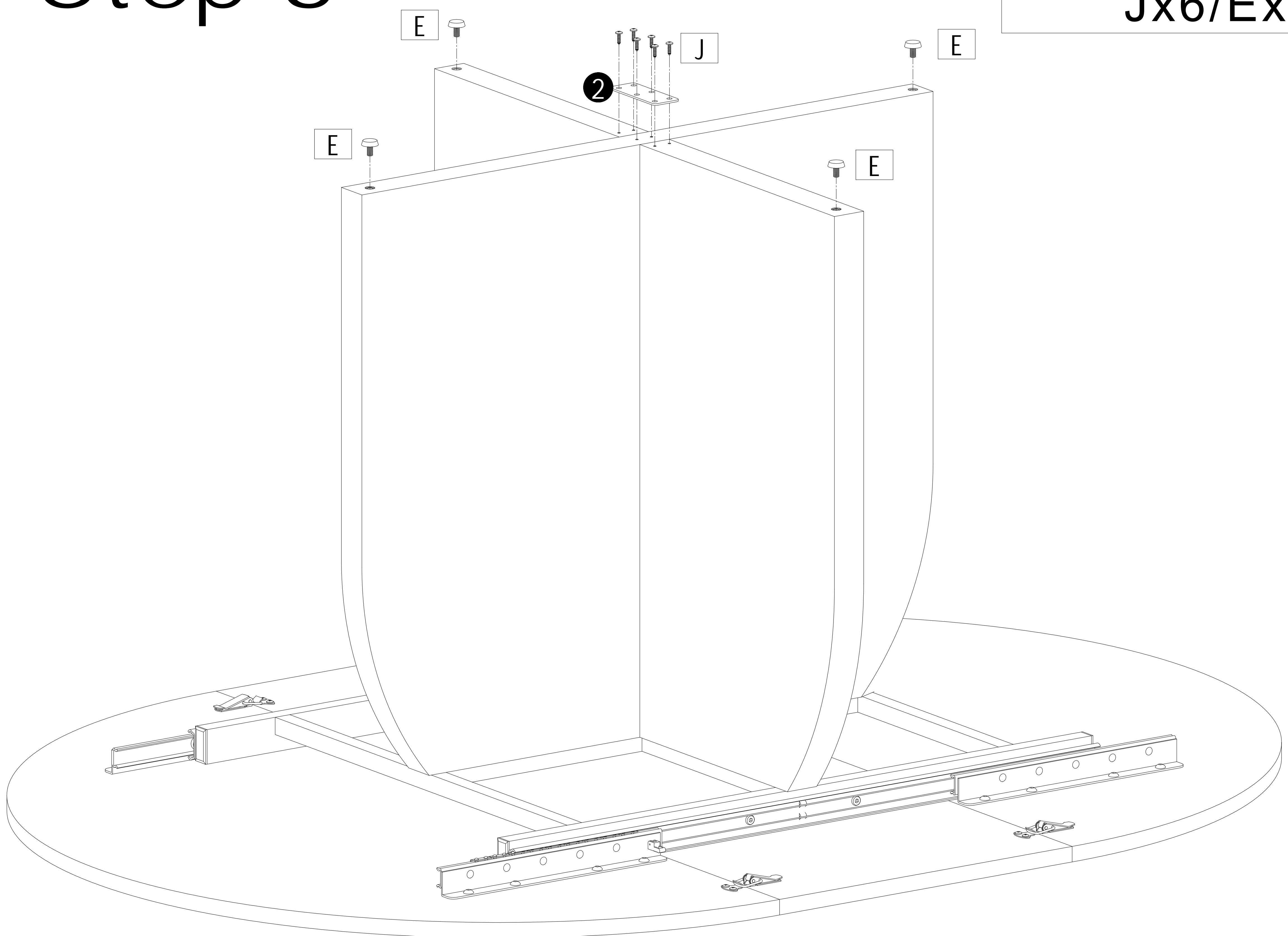
Bx16



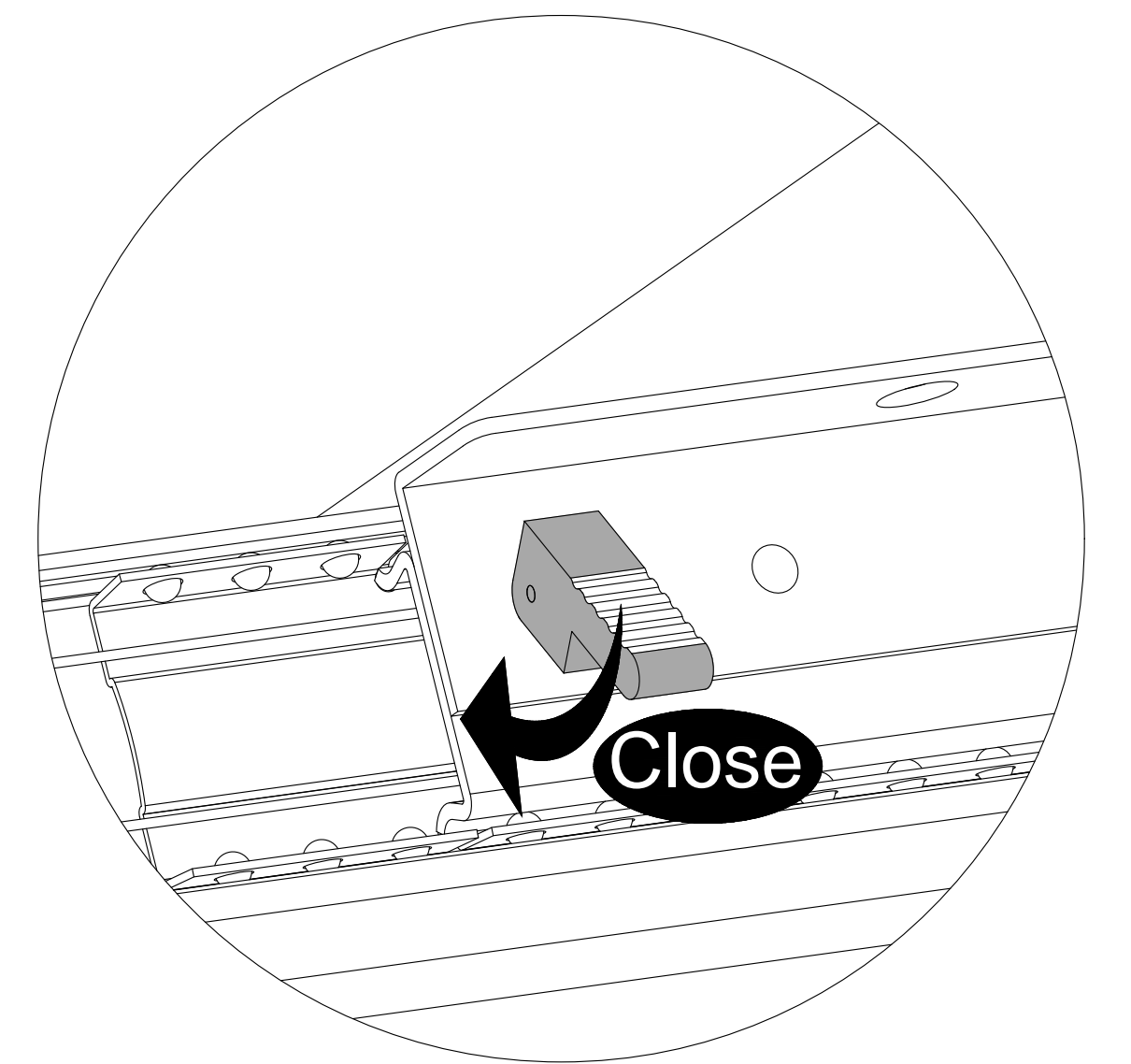
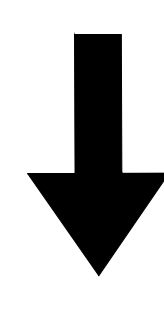
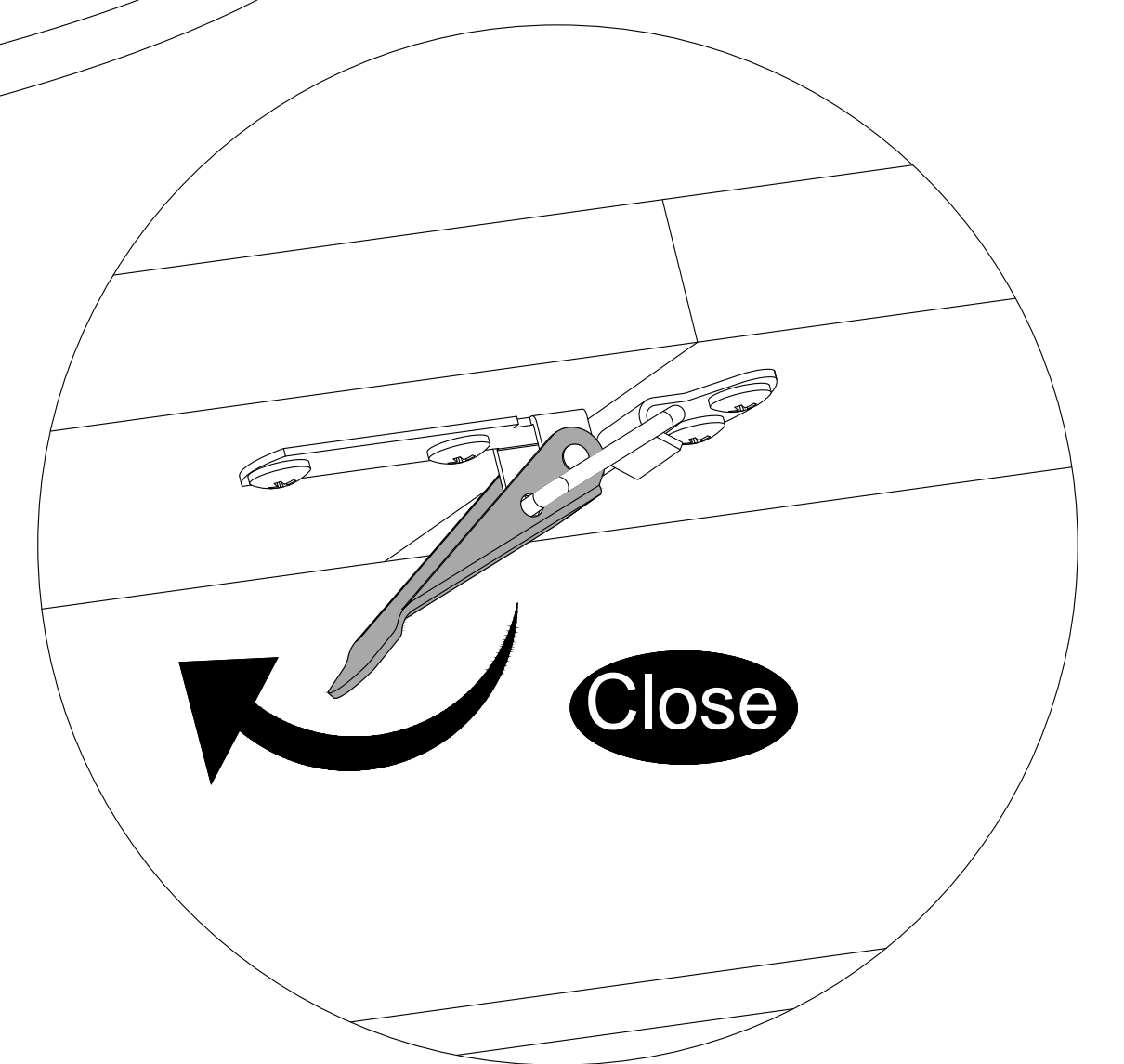
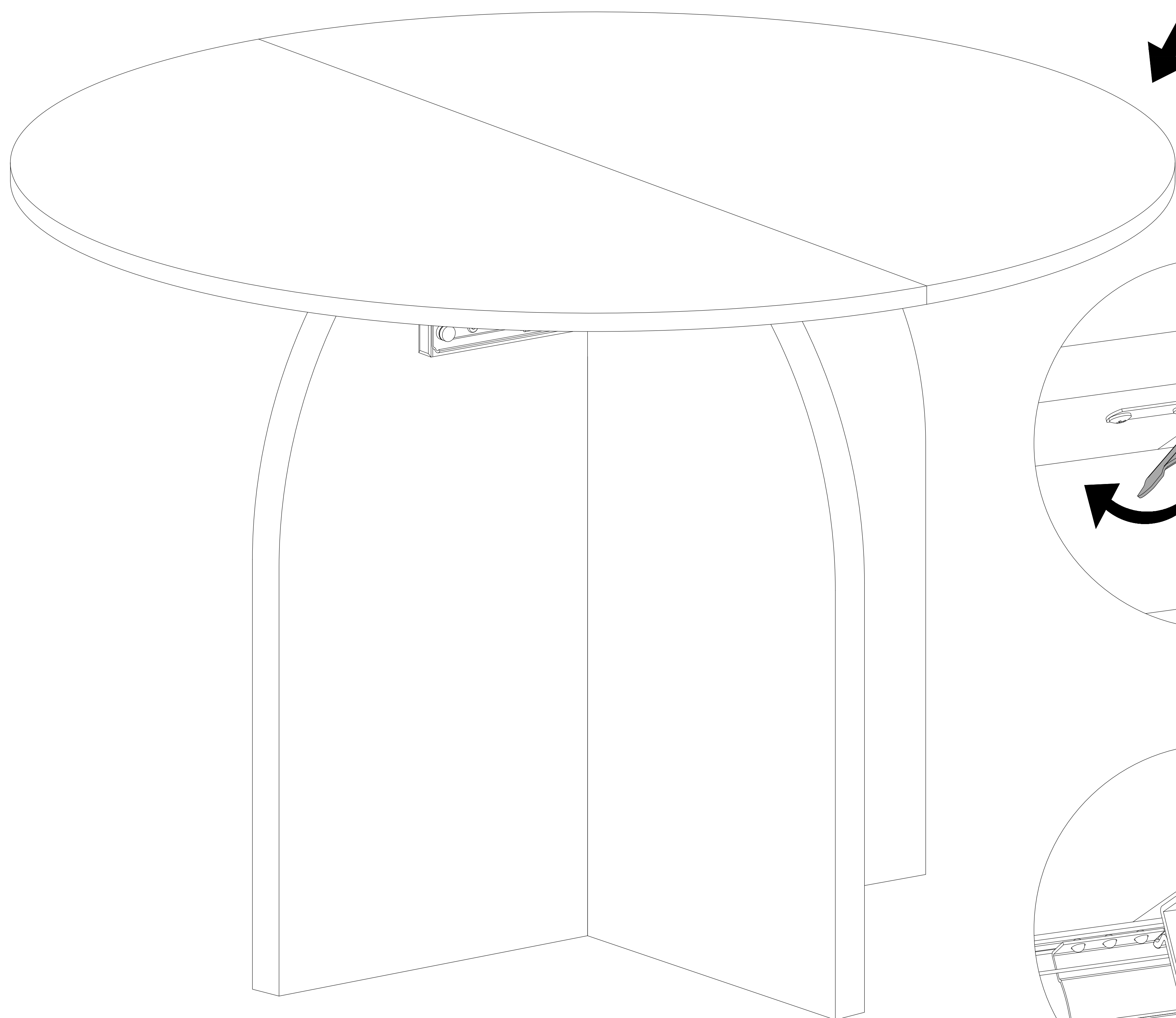
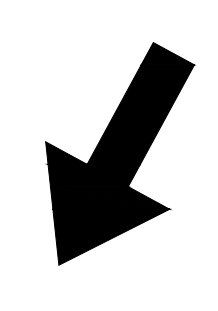
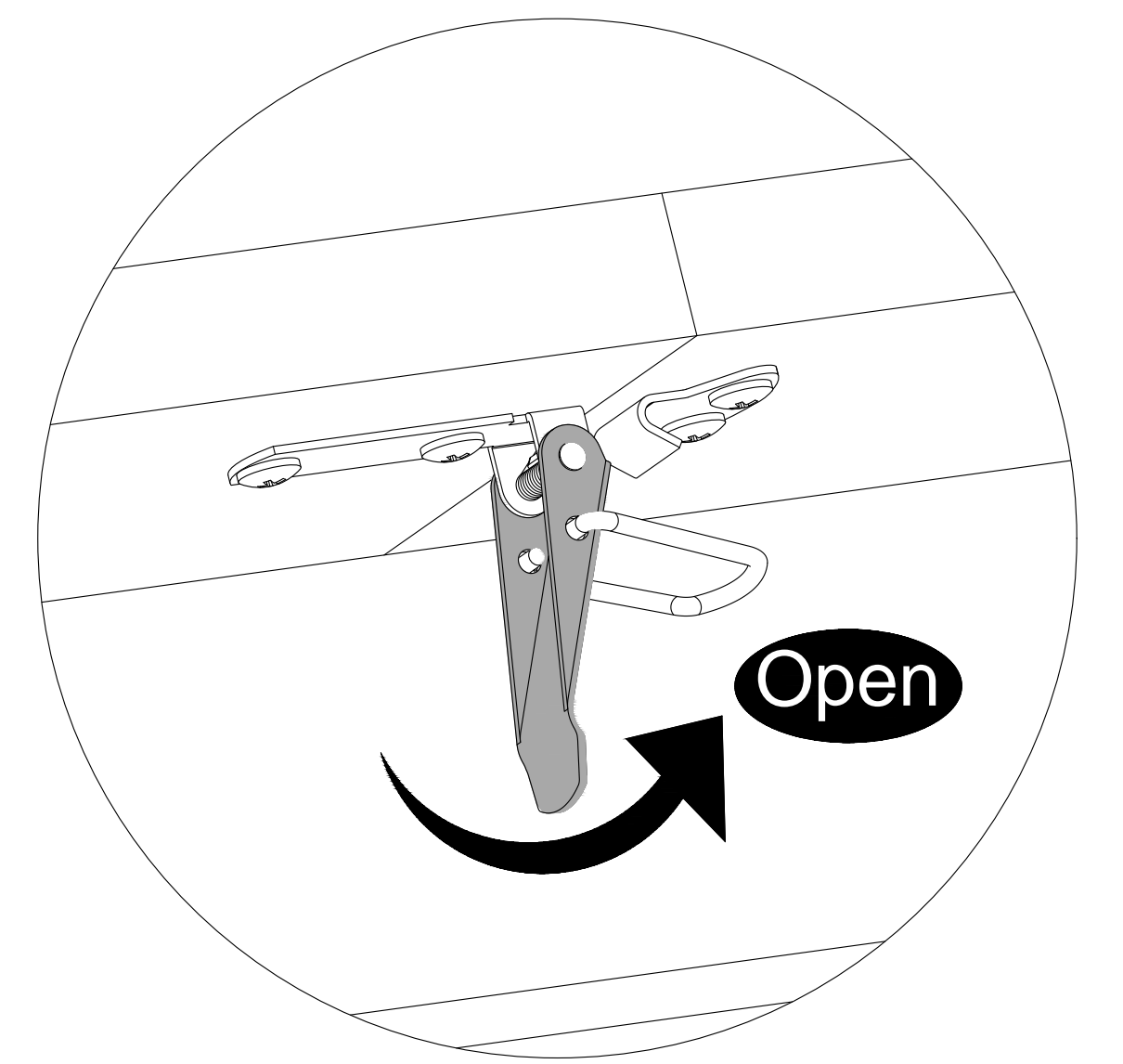
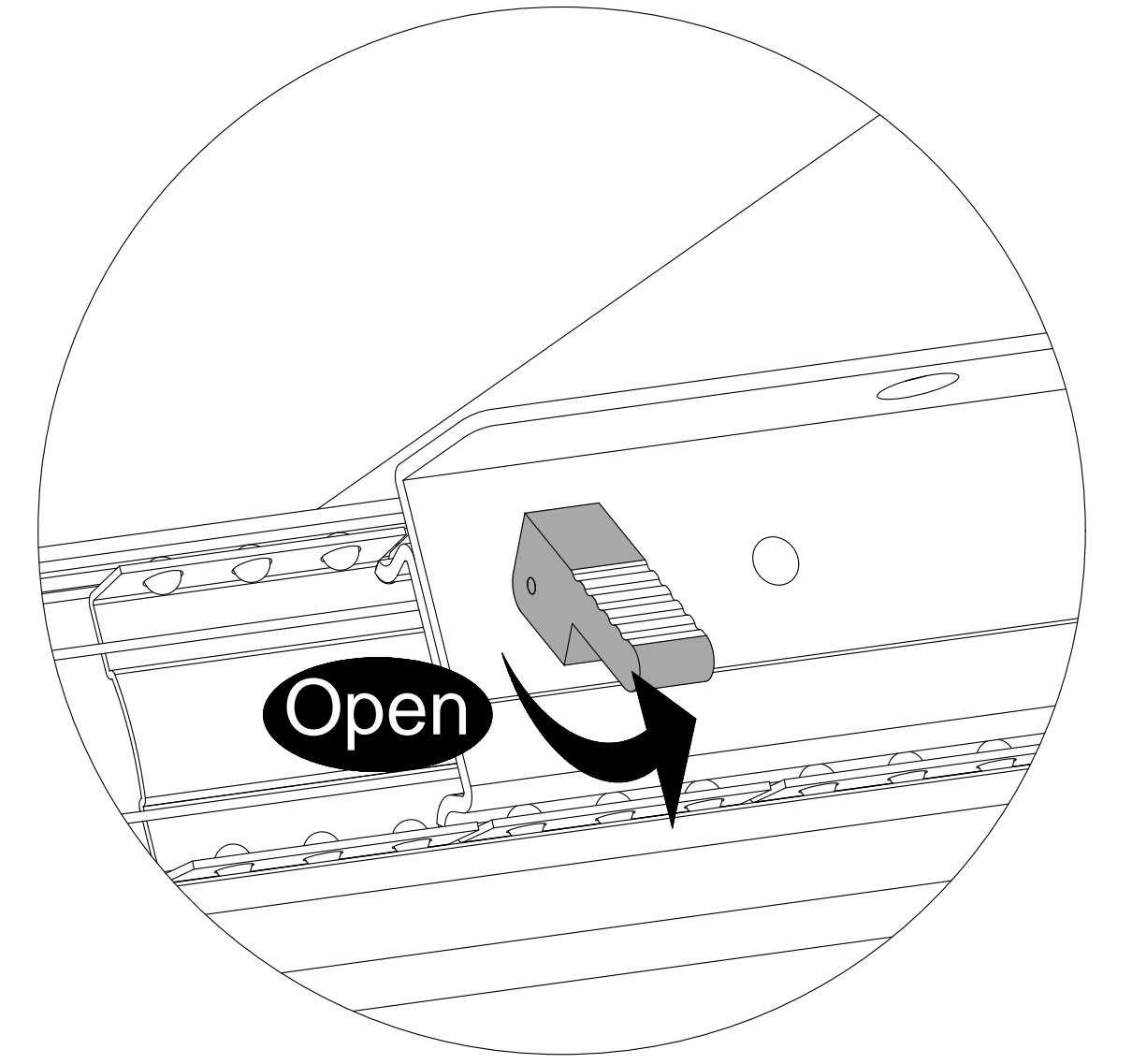
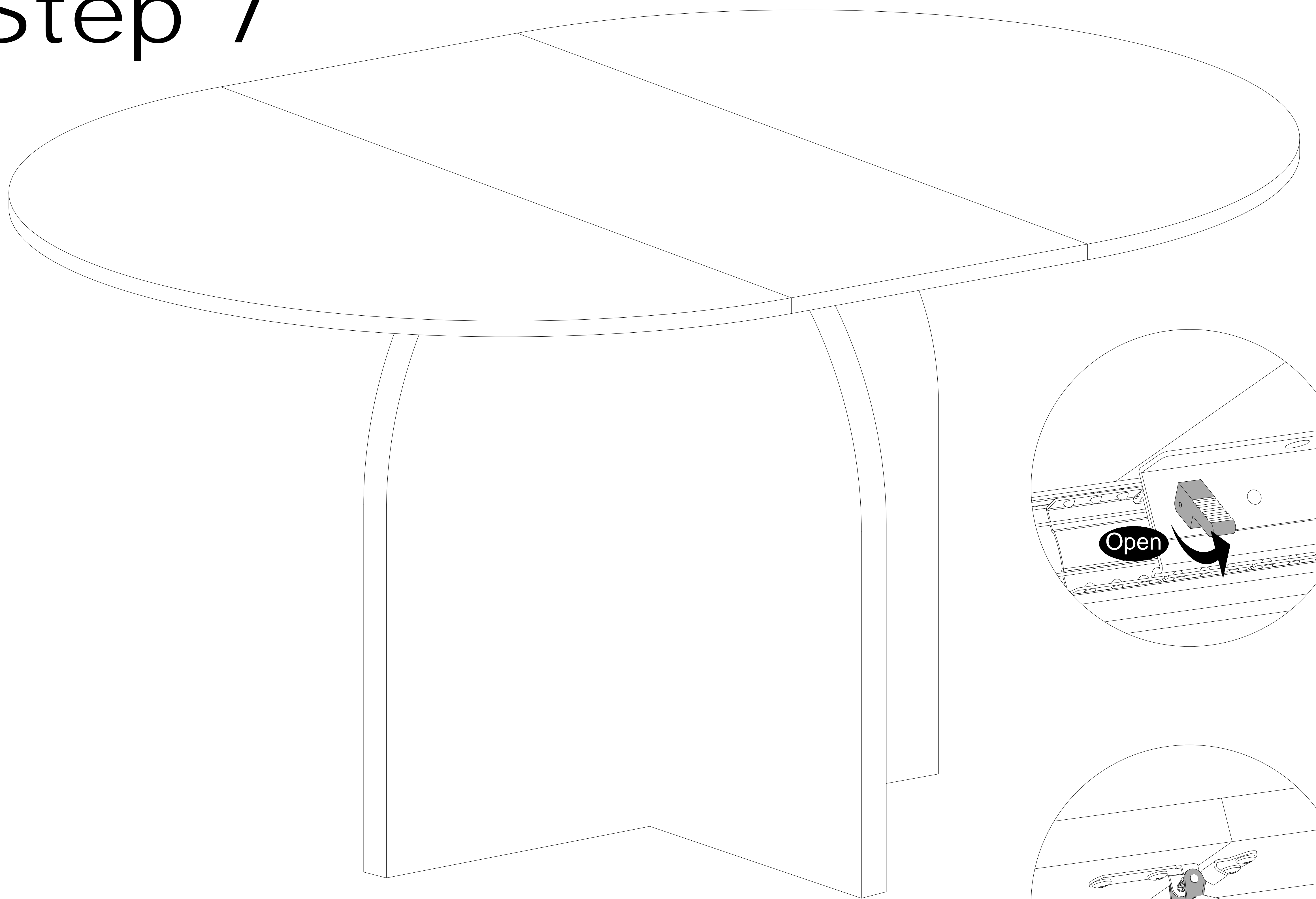
Step 6

YOU WILL NEED

Jx6/Ex4



Step 7



Step 8

