

# BEFORE YOU GET STARTED...

*We're confident you'll love your gorgeous new furniture. However, it's worth making absolutely certain before you put it all together.*

*So, let's quickly run through these three steps:*

## 1. COLOUR

Make sure you're happy with the colour  
No need to unpack everything, just check the first component.

## 2. PROTECTIVE PACKAGING

If you're happy, then it's time to get opening! Start by laying everything out on the protective packaging – this will prevent anything getting scratched.

## 3. PARTS PAGE

Finally, double check you have all the pieces by referencing the parts page of the instructions.

## TIPS FOR RETURNS

Not completely happy with the product? No problem. We just need everything back in the original packaging, so follow the steps below and this will ensure a super-smooth returns process and no delay to your refund.

DO



- Check everything is there (the 'parts page' is a handy checklist).
- Pop all the loose fittings and fixtures into the packaging provided or tie them up in a plastic bag.
- Wrap all the big components back up in the original protective packaging.
- Close up the box and seal it securely (don't be afraid to use plenty of tape).

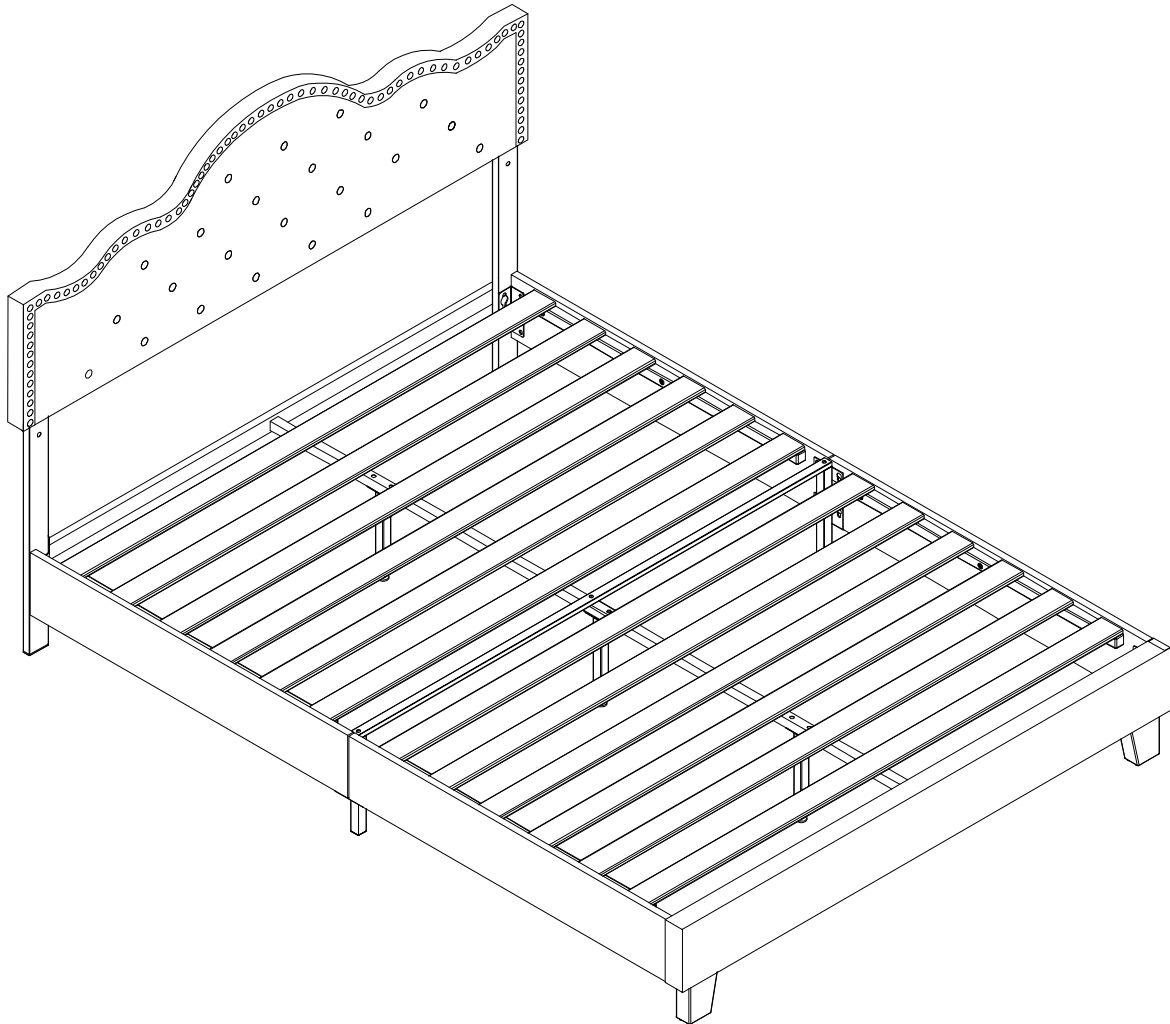
DON'T



- Leave anything assembled - all components should be dismantled and separately packed.
- Put loose fixtures and fittings straight into the box.
- Throw it back in the box carelessly - as it may get damaged.

Then just contact the seller for help.

## Assembly instructions



**IMPORTANT – RETAIN FOR FUTURE REFERENCE**

## **BEFORE YOU START**

### **Missing parts**

If you are missing any fixtures and fittings for your product, please contact us, and we will happy to arrange for a replacement to be sent to you free of charge.

### **A fault product**

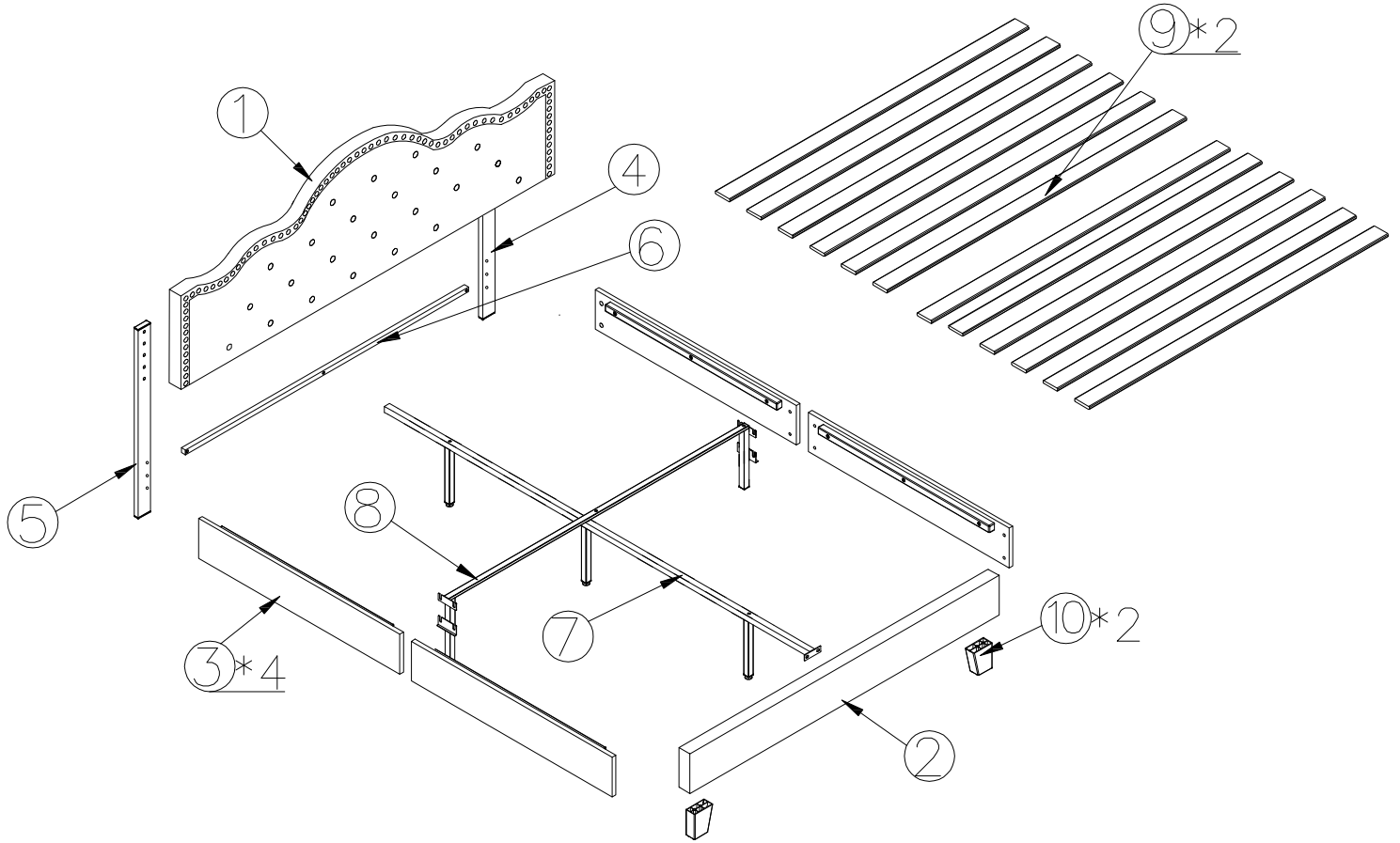
If you have a fault with your product please contact the seller, we will help you to make it right.

**ANY QUESTIONS,PLEASE FEEL FREE TO CONTACT US**

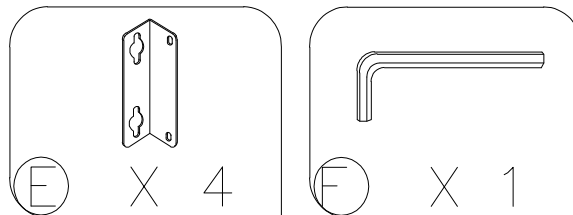
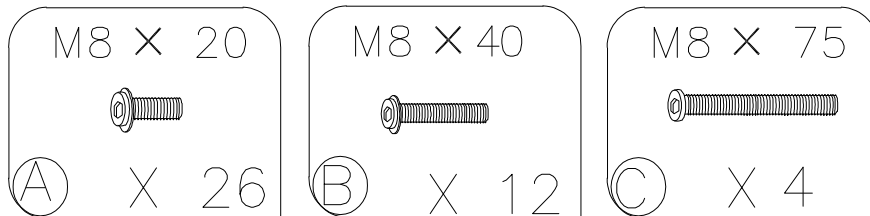
**SELLER CONTACT INFORMATION: [3817439@gmail.com](mailto:3817439@gmail.com)**

# GETTING TO KNOW YOUR PRODUCT

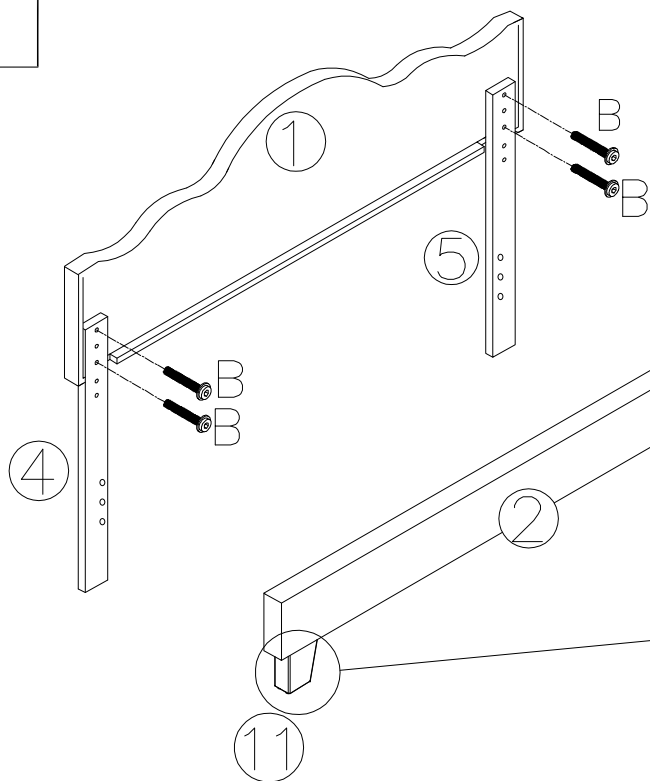
Components supplied. Please use this guide if you require replacement parts.



## Fixtures and fittings supplied (actual size)



1



M8 × 40



(B) X 4

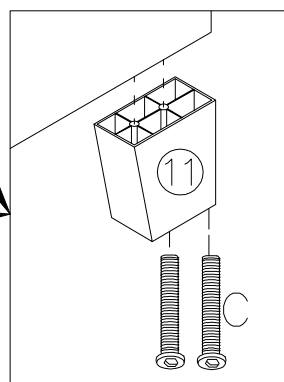
M8 × 75



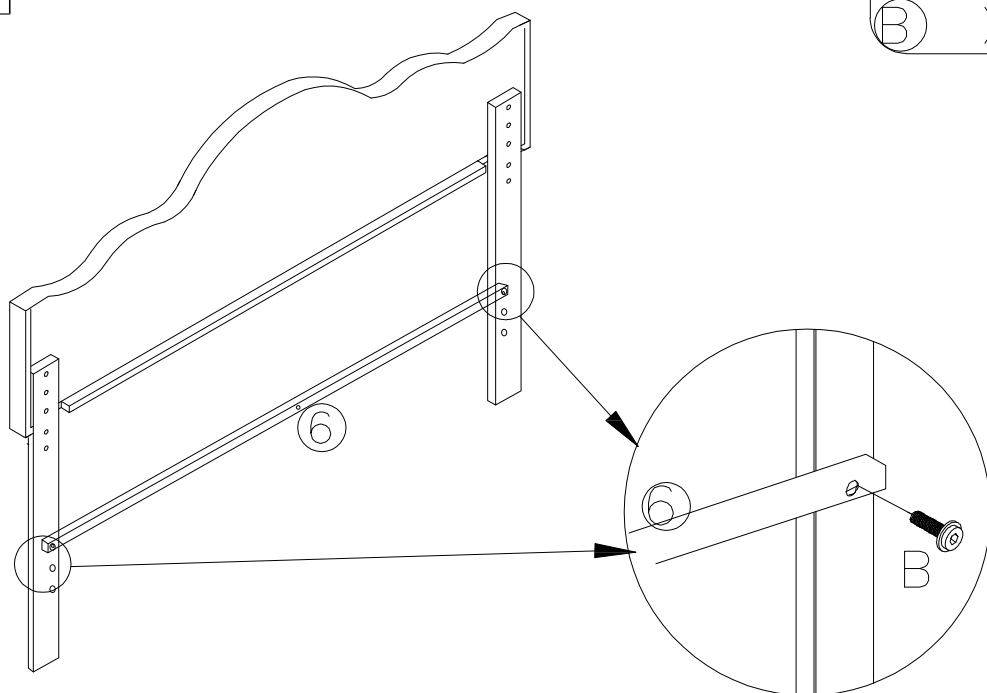
(C) X 4



(F) X 1



2



M8 × 40



(B) X 2



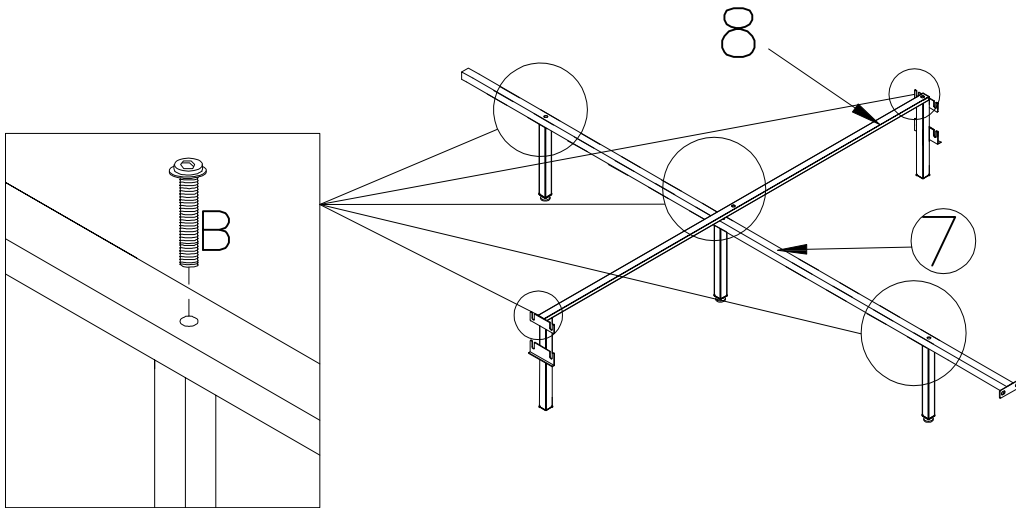
(F) X 1

3

M8 × 40



(B) X 5

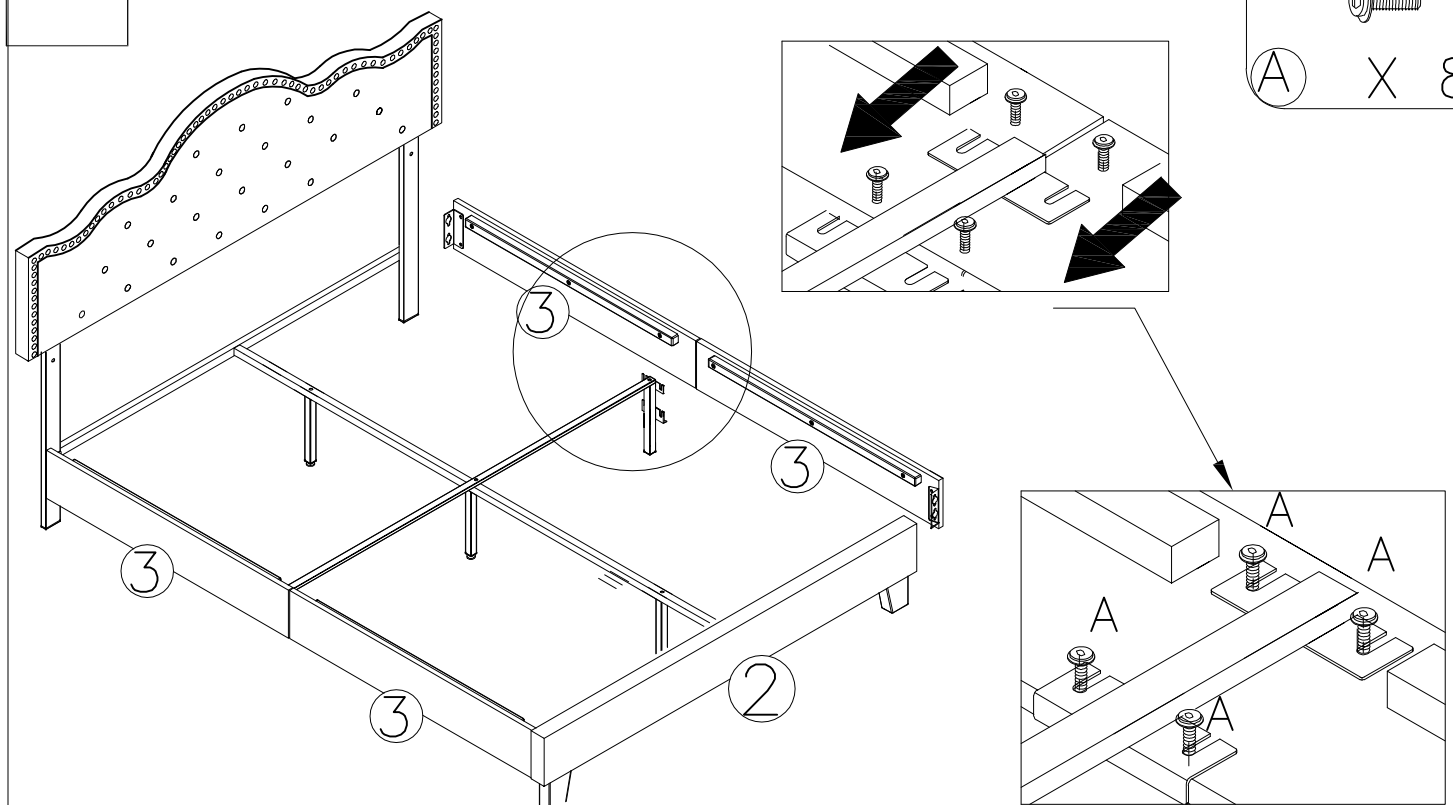


4

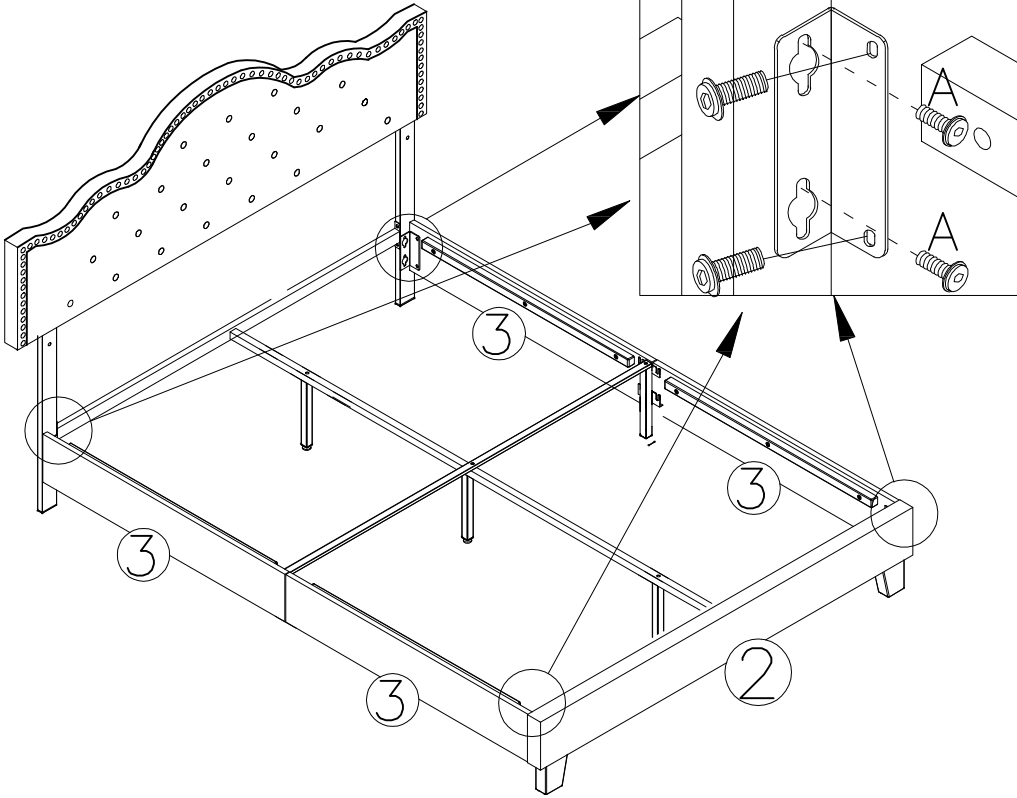
M8 × 20



(A) X 8



5



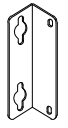
M8 × 20



(A) X 16

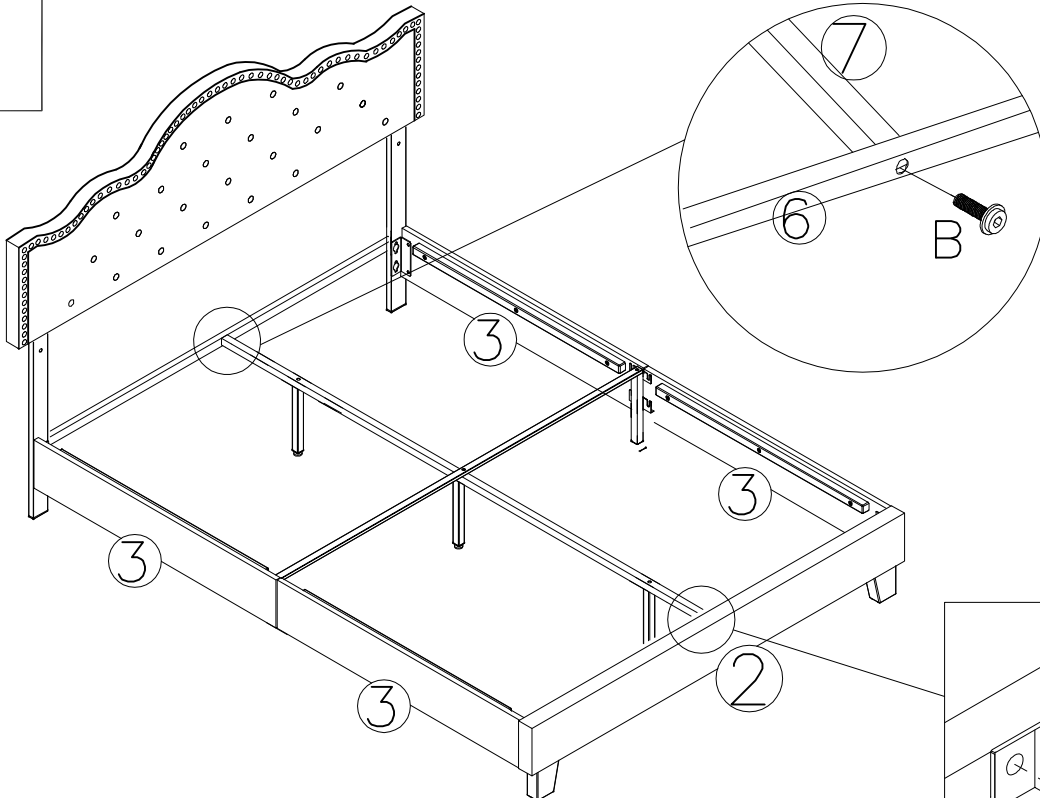


(F) X 1



(E) X 4

6



M8 × 20



(A) X 2

M8 × 40

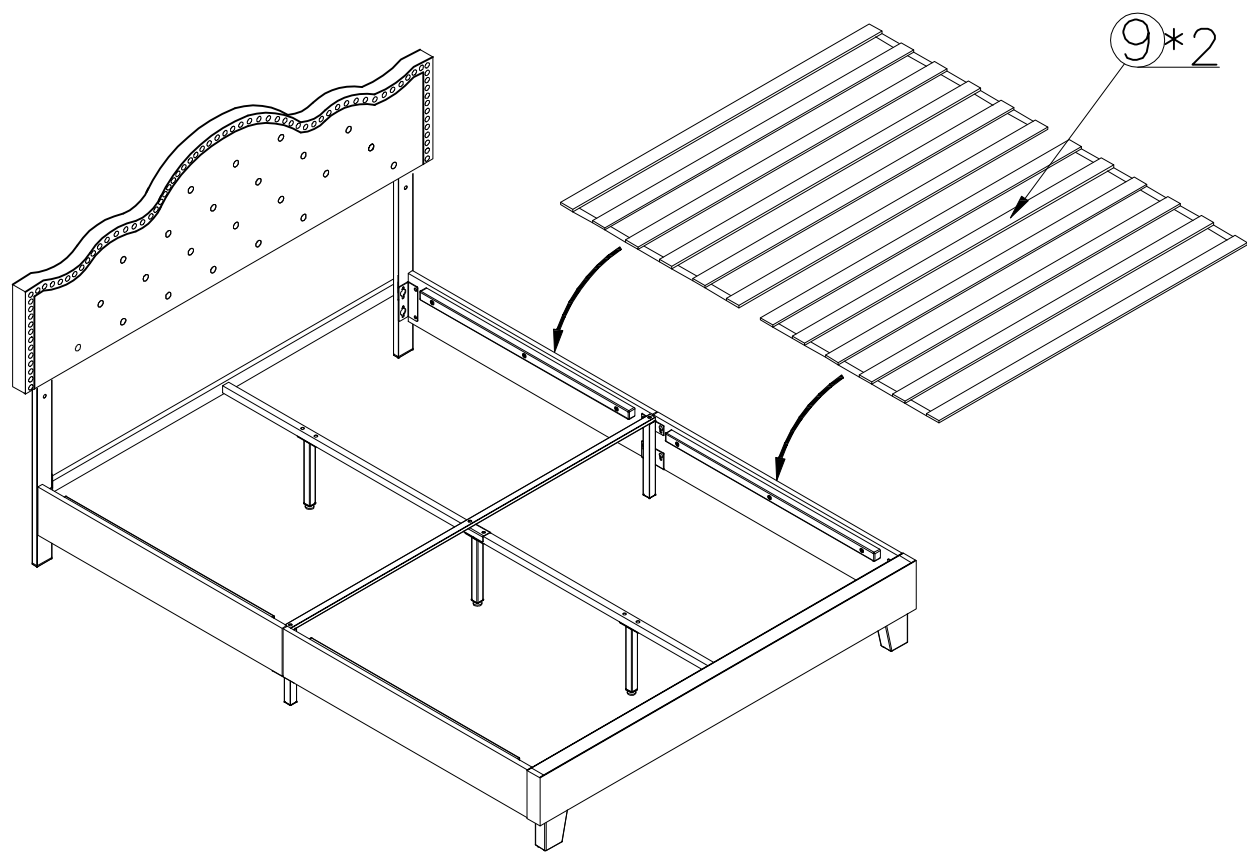


(B) X 1



(F) X 1

7



8

