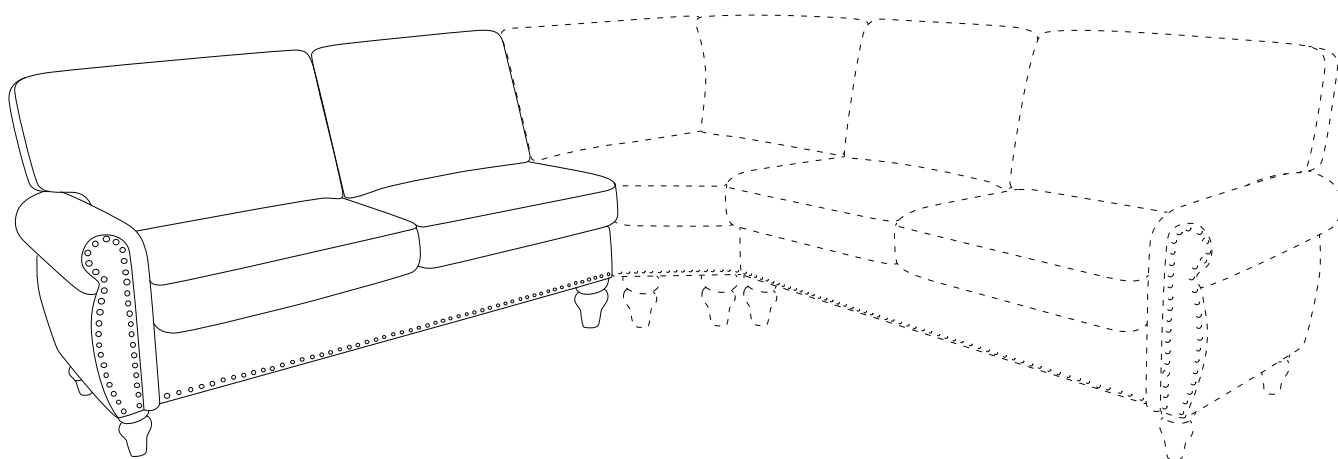


## Assembly Instruction

### Sofa Bed

IHD-QFSF05



#### Customer Service Before Return:

If part is missing or damaged, or you need help with assembly, please do not hesitate to contact us.

#### SELLER CONTACT INFORMATION:

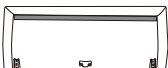

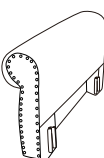



[contacts@ihomdec.com](mailto:contacts@ihomdec.com)

## Before Assembly


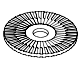


### IMPORTANT NOTE:

- .Make sure all parts and hardware are included and free of obvious Defect before disposing of any packaging
- .Place all wooden parts on a clean and smooth surface such as a rug or carpet to avoid the parts from being scratched.
- .DO NOT tighten all screws and bolts until completely assembled.
- .Assembly will require two people.

### PART LIST

PART LIST					
<b>1</b>	<b>2</b>	<b>3</b>	<b>4</b>	<b>5</b>	<b>6</b>
					
1PC	1PC	1PC	1PC	1PC	2PCS

### HARDWARE LIST

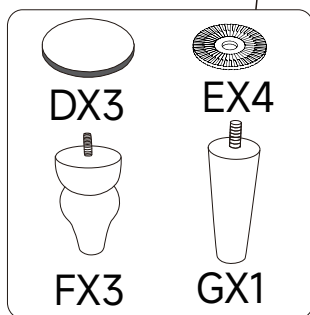
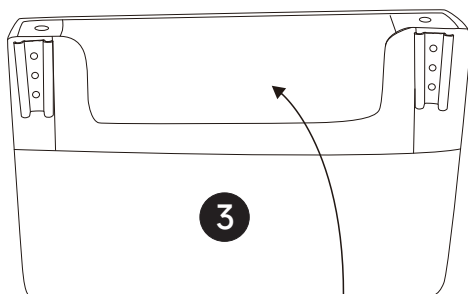
<b>D</b>	<b>E</b>	<b>F</b>	<b>G</b>		
					
3PCS	4PCS	3PCS	1PC		

**NOTED:**

- 1. DO not fully tighten all bolts until all parts are in place. Failure to follow these instructions may cause the bolt to misalign during assembly.
- 2. To prevent injury and property damaged from unexpected tipping of furniture we highly recommend installation of the anti-tip kit included with this product.

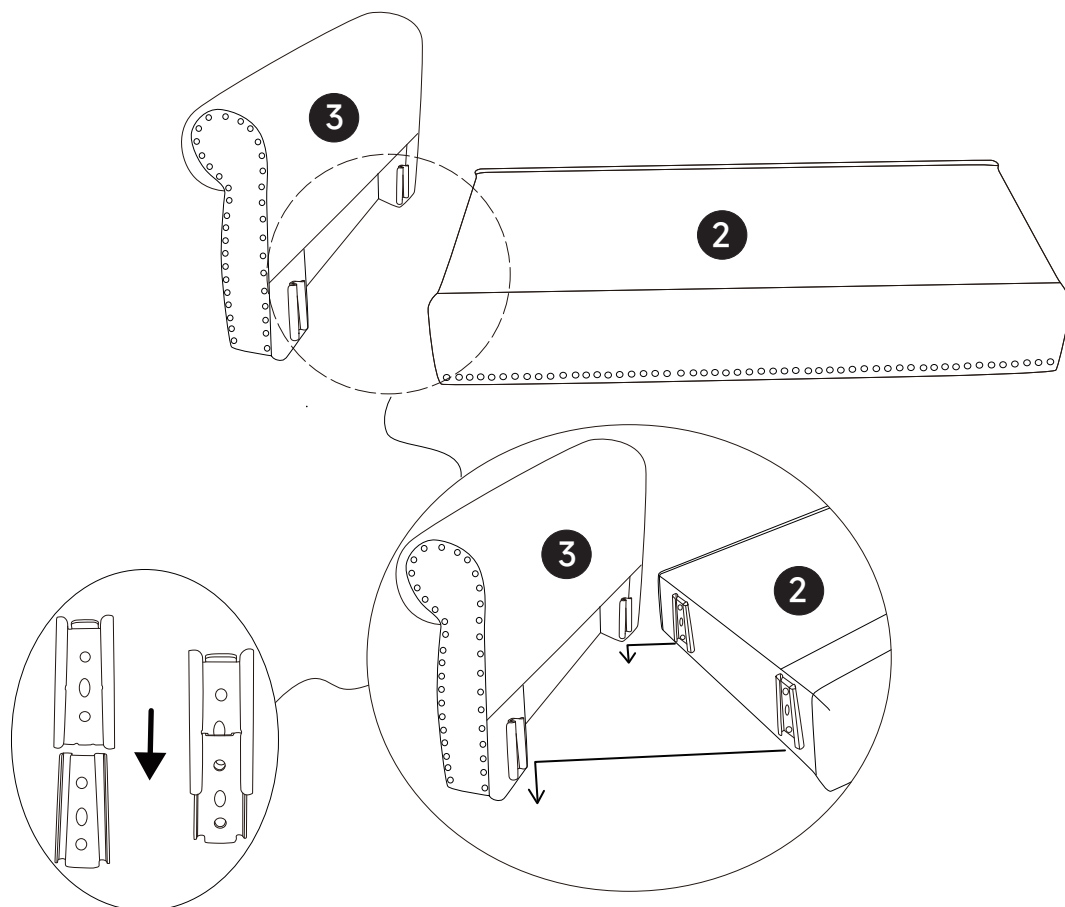
**Assembly Instruction**

**Step 1**



Hardware fittings are in **3**

**Step 2**







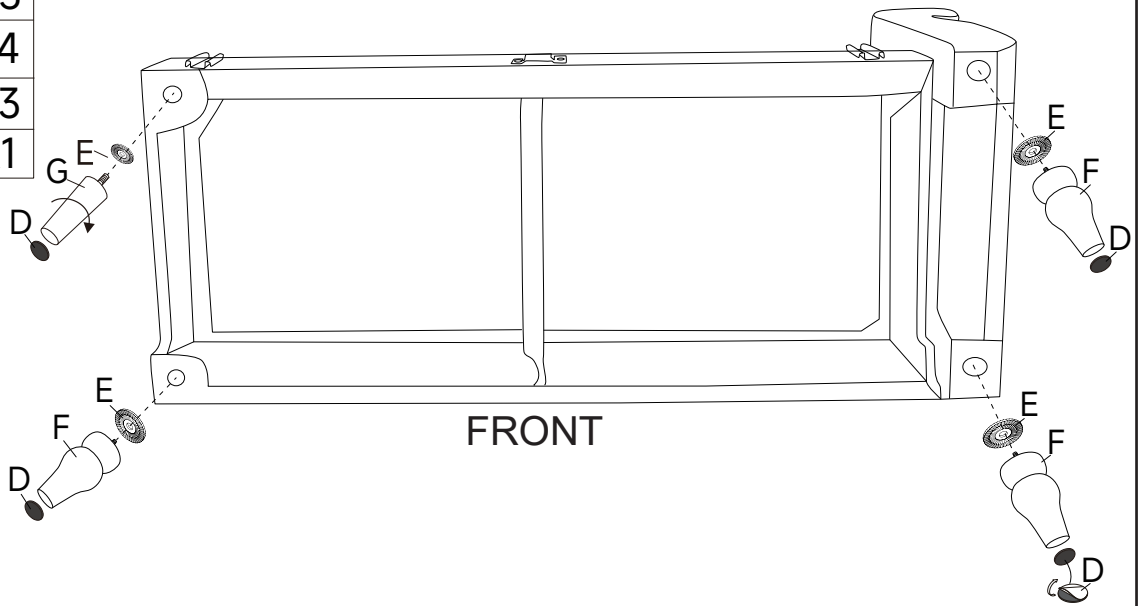
## NOTED:

1. DO not fully tighten all bolts until all parts are in place. Failure to follow these instructions may cause the bolt to misalign during assembly.
2. To prevent injury and property damaged from unexpected tipping of furniture we highly recommend installation of the anti-tip kit included with this product.

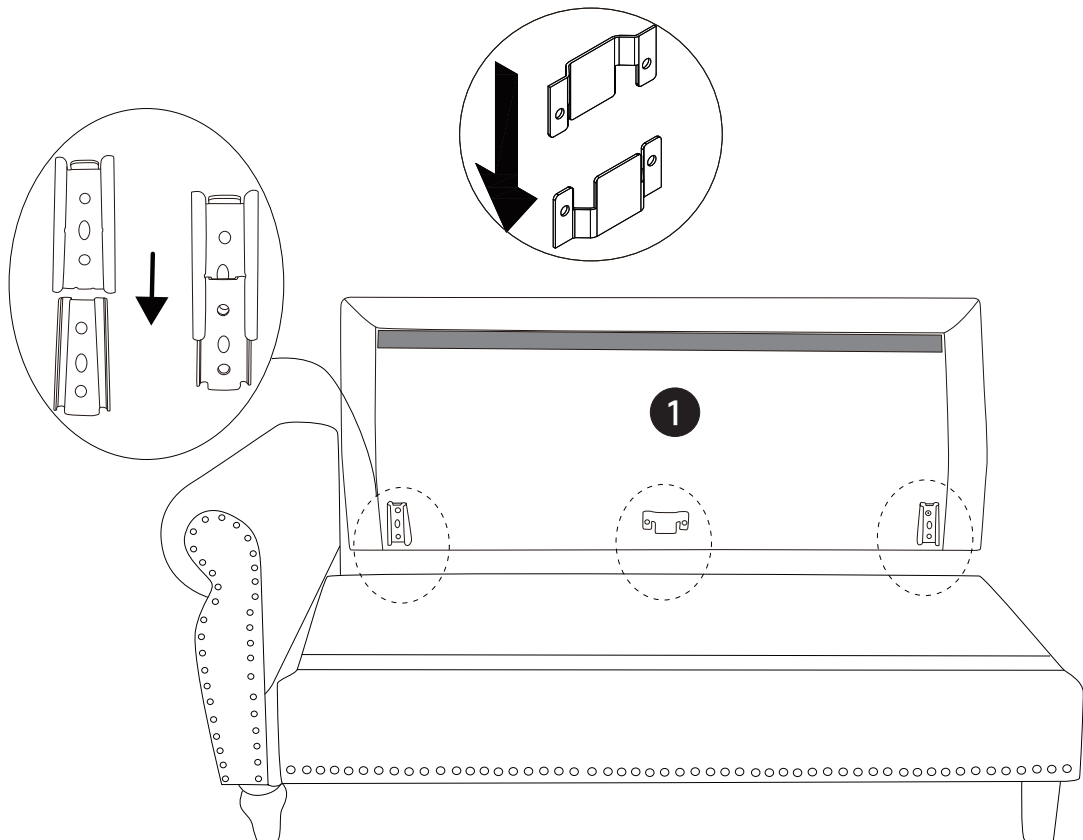
## Assembly Instruction

### Step 3

	DX3
	EX4
	FX3
	GX1



### Step 4

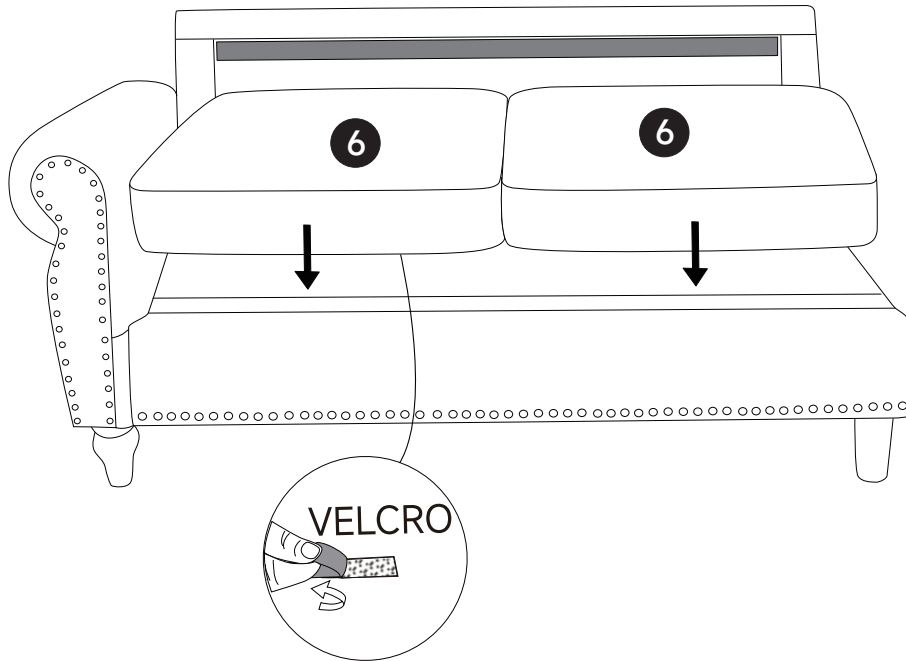


**NOTED:**

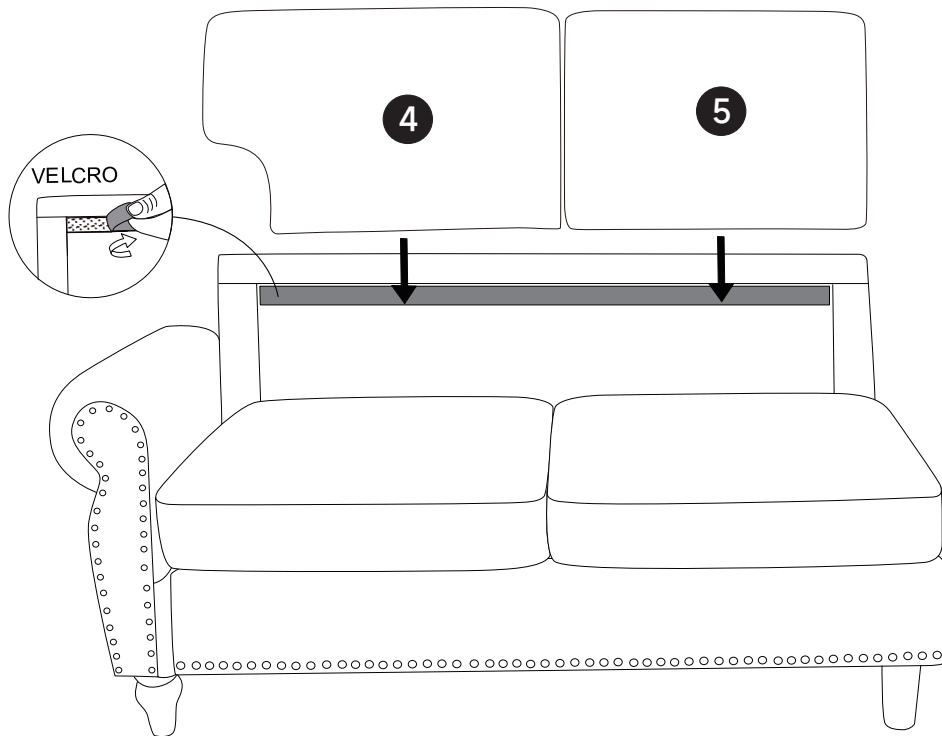
- 1. DO not fully tighten all bolts until all parts are in place. Failure to follow these instructions may cause the bolt to misalign during assembly.
- 2. To prevent injury and property damaged from unexpected tipping of furniture we highly recommend installation of the anti-tip kit included with this product.

**Assembly Instruction**

**Step 5**



**Step 6**

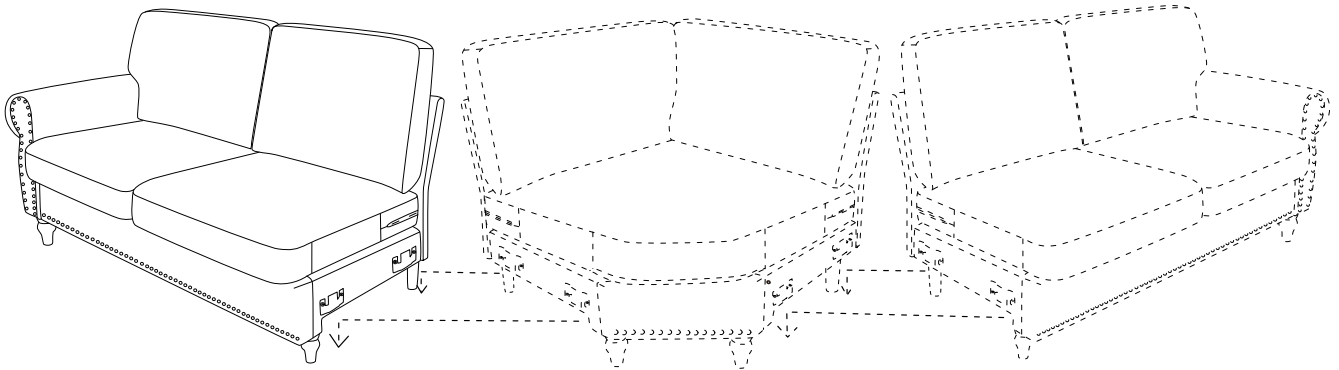


## NOTED:

- 1.DO not fully tighen all bolts until all parts are in place.Failure to follow these instructions may cause the bolt to misalign during assembly.
- 2.To prevent injury and property damaged from unexpected tipping of furniture we highly recommend installation of the anti-tip kit included with this product.

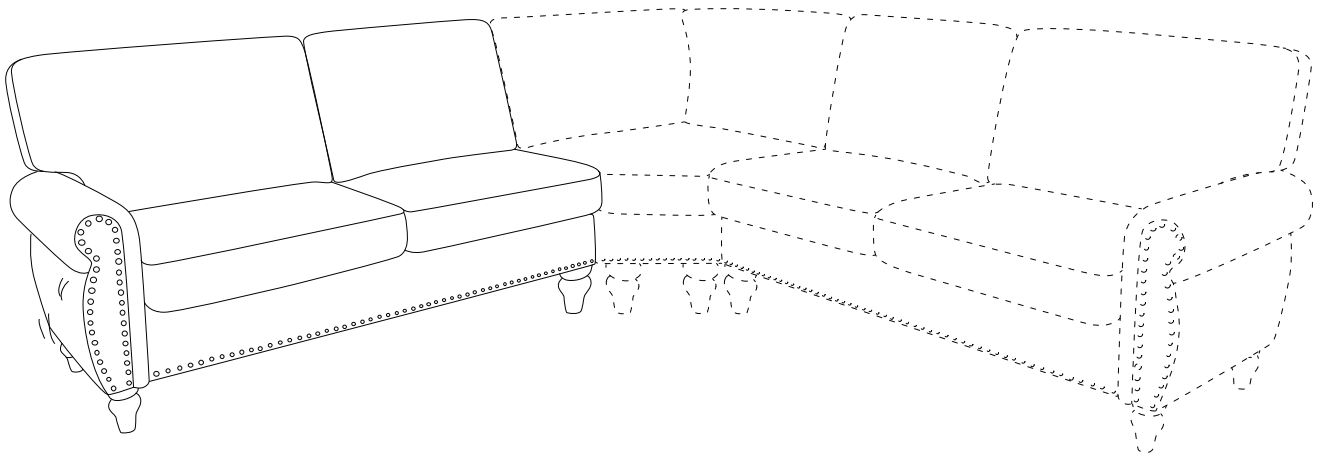
## Assembly Instruction

### Step 7



### Step 8

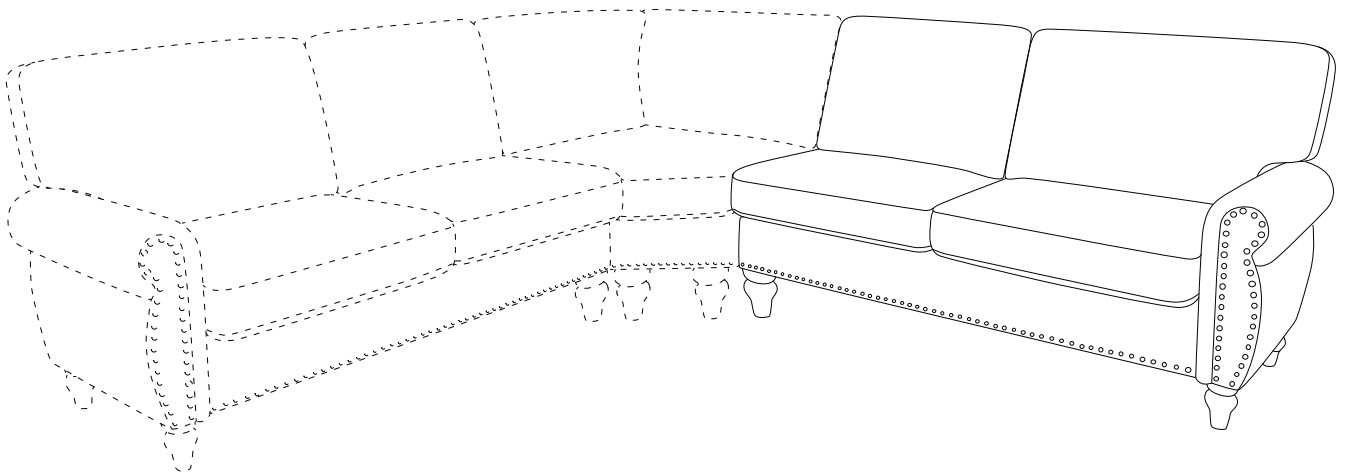
The cushion is in compression package . Just take out and plump up for hours . 48 hours is better for reaching its full size . Follow the assembly instructions to assemble after reach its full size .



## Assembly Instruction

### Sofa Bed

IHD-QFSF05



#### Customer Service Before Return:

If part is missing or damaged, or you need help with assembly, please do not hesitate to contact us.

#### SELLER CONTACT INFORMATION:

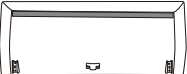



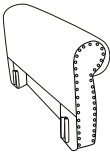

[contacts@ihomdec.com](mailto:contacts@ihomdec.com)

## Before Assembly


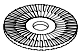


### IMPORTANT NOTE:

- .Make sure all parts and hardware are included and free of obvious Defect before disposing of any packaging
- .Place all wooden parts on a clean and smooth surface such as a rug or carpet to avoid the parts from being scratched.
- .DO NOT tighten all screws and bolts until completely assembled.
- .Assembly will require two people.

### PART LIST

PART LIST					
<b>1</b>	<b>5</b>	<b>6</b>	<b>7</b>	<b>8</b>	<b>9</b>
					
1PC	1PC	2PCS	1PC	1PC	1PC

### HARDWARE LIST

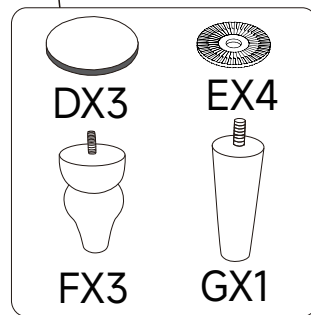
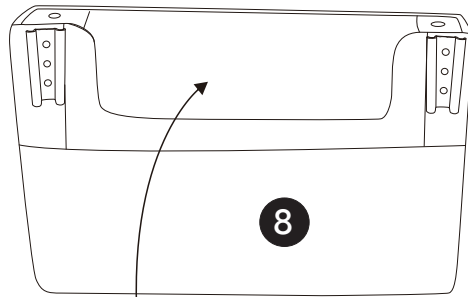
<b>D</b>	<b>E</b>	<b>F</b>	<b>G</b>		
					
3PCS	4PCS	3PCS	1PC		

**NOTED:**

- 1. DO not fully tighten all bolts until all parts are in place. Failure to follow these instructions may cause the bolt to misalign during assembly.
- 2. To prevent injury and property damaged from unexpected tipping of furniture we highly recommend installation of the anti-tip kit included with this product.

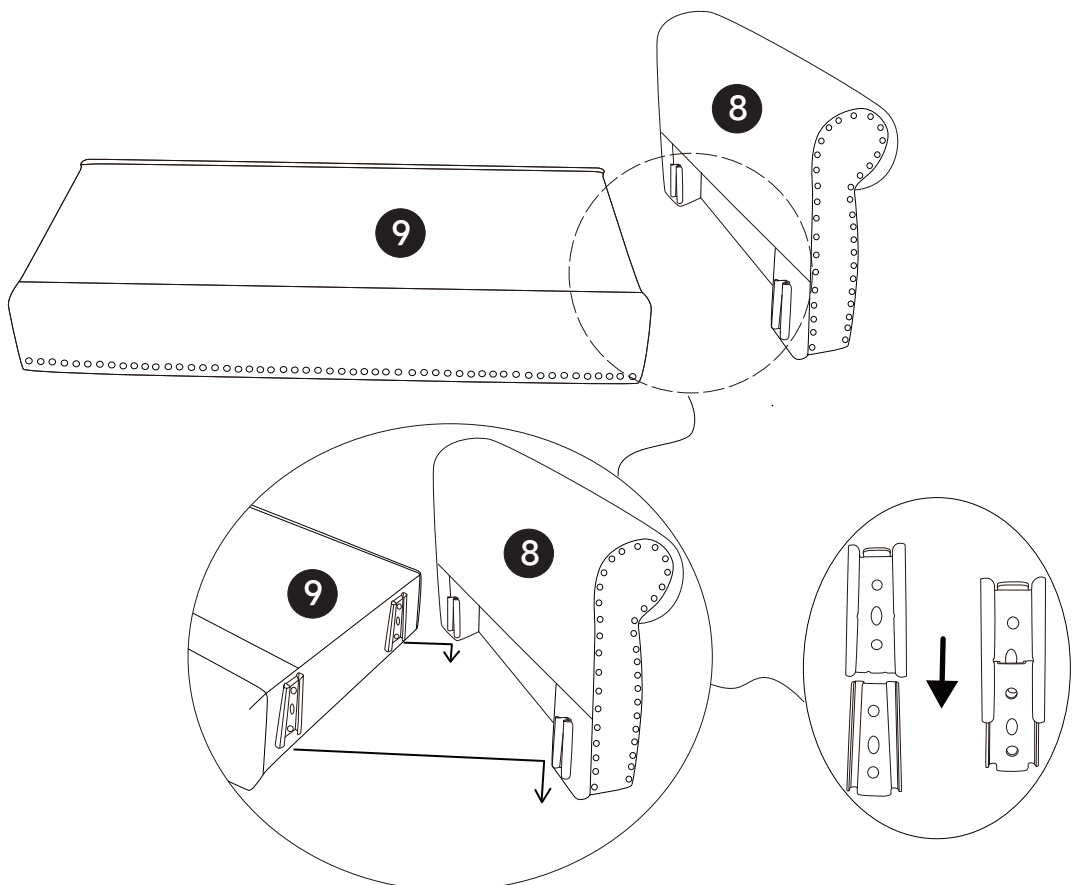
**Assembly Instruction**

**Step 1**



Hardware fittings are in 8

**Step 2**







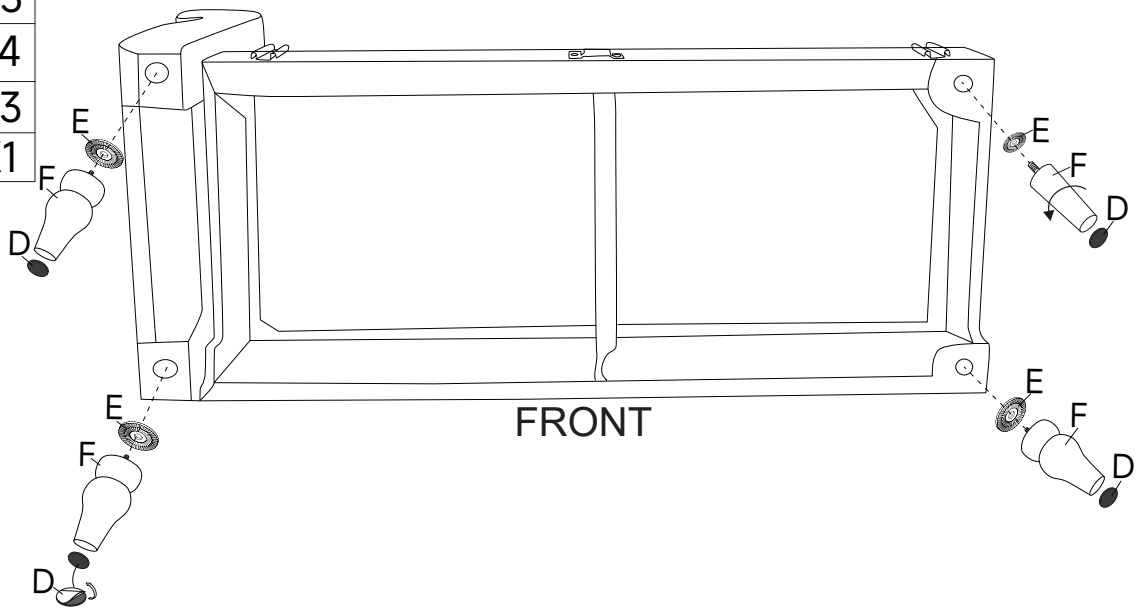
## NOTED:

1. DO not fully tighten all bolts until all parts are in place. Failure to follow these instructions may cause the bolt to misalign during assembly.
2. To prevent injury and property damaged from unexpected tipping of furniture we highly recommend installation of the anti-tip kit included with this product.

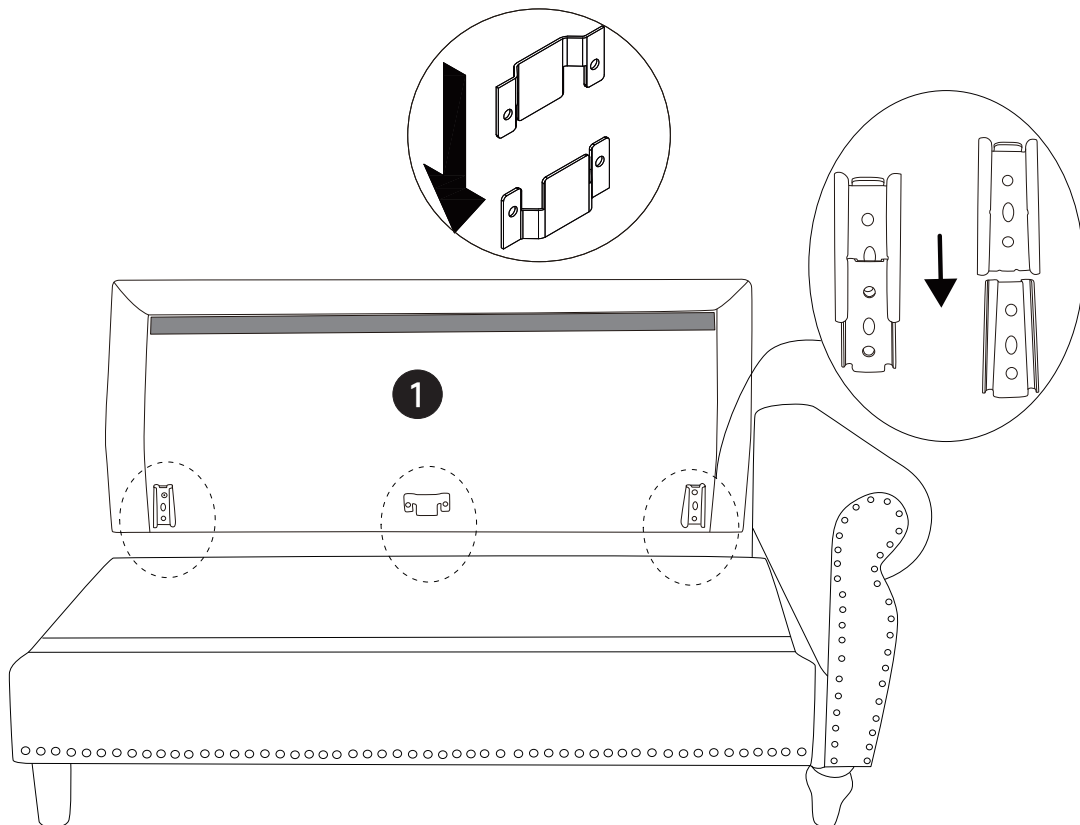
## Assembly Instruction

### Step 3

	DX3
	EX4
	FX3
	GX1



### Step 4

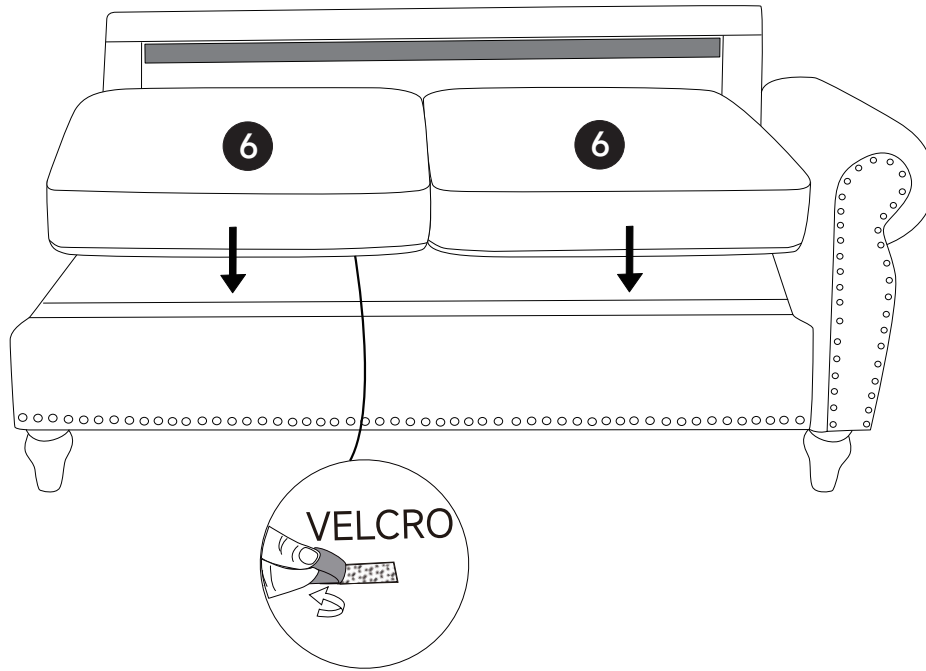


**NOTED:**

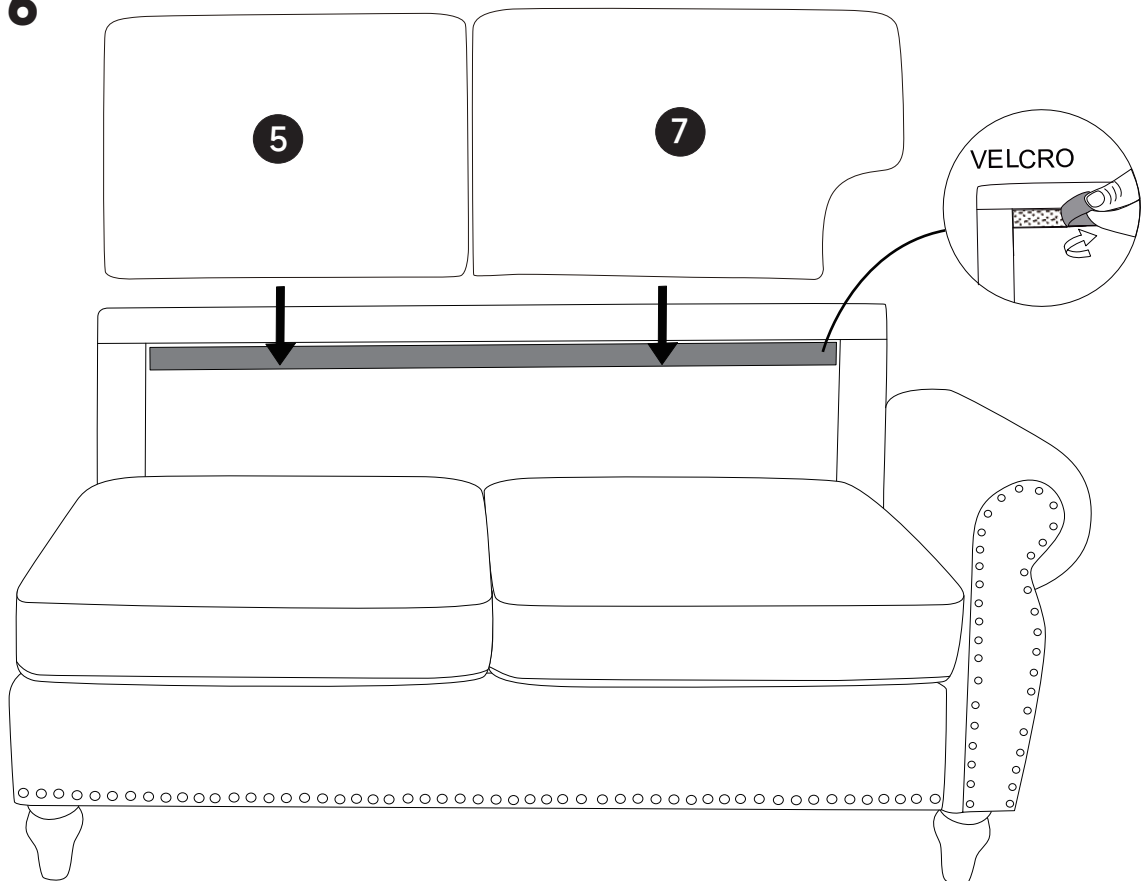
- 1. DO not fully tighten all bolts until all parts are in place. Failure to follow these instructions may cause the bolt to misalign during assembly.
- 2. To prevent injury and property damaged from unexpected tipping of furniture we highly recommend installation of the anti-tip kit included with this product.

**Assembly Instruction**

**Step 5**



**Step 6**

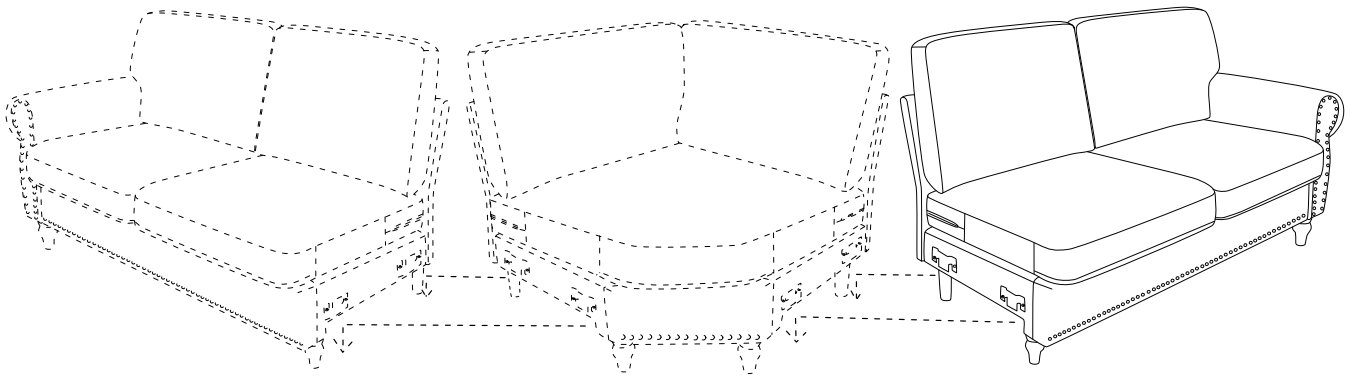


## NOTED:

- 1.DO not fully tighen all bolts until all parts are in place.Failure to follow these instructions may cause the bolt to misalign during assembly.
- 2.To prevent injury and property damaged from unexpected tipping of furniture we highly recommend installation of the anti-tip kit included with this product.

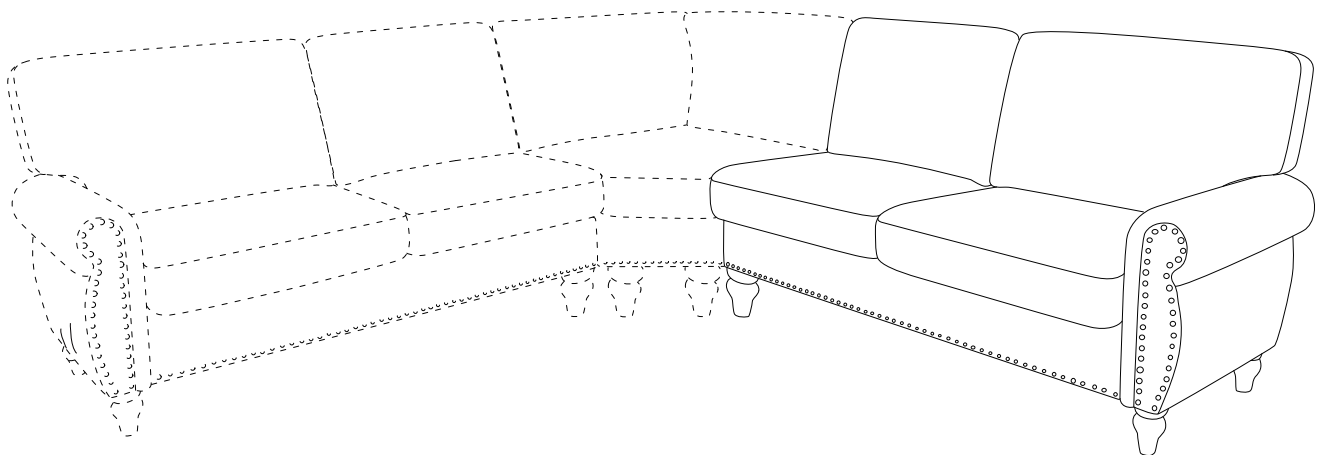
## Assembly Instruction

### Step 7



### Step 8

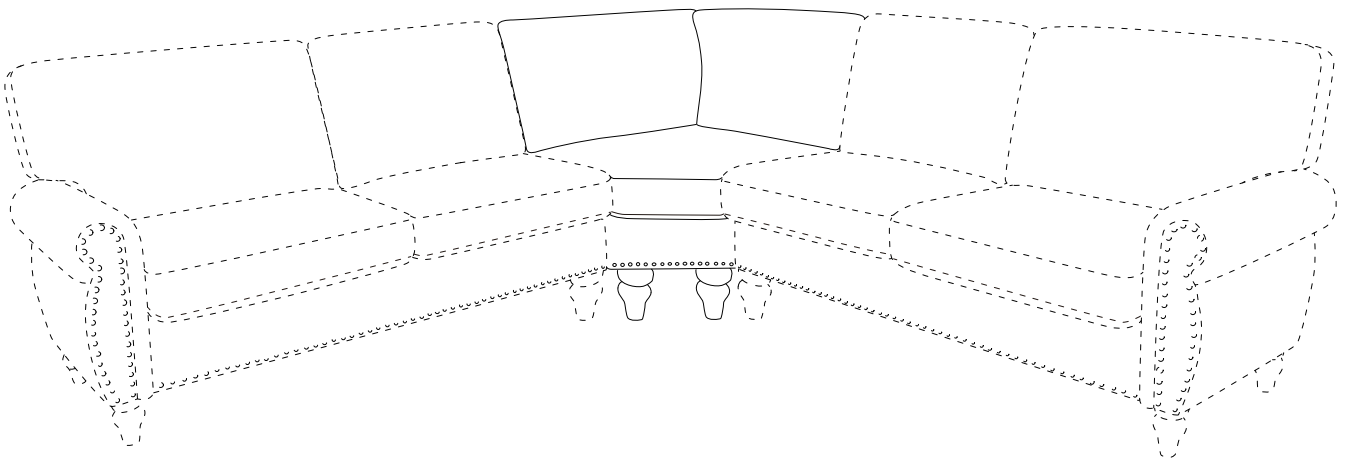
The cushion is in compression package . Just take out and plump up for hours . 48 hours is better for reaching its full size . Follow the assembly instructions to assemble after reach its full size .



## Assembly Instruction

### Sofa Bed

IHD-QFSF05



#### Customer Service Before Return:

If part is missing or damaged, or you need help with assembly, please do not hesitate to contact us.

#### SELLER CONTACT INFORMATION:

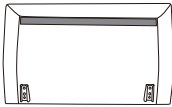
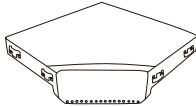


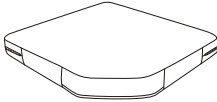
[contacts@ihomdec.com](mailto:contacts@ihomdec.com)

## Before Assembly


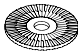


### IMPORTANT NOTE:

- .Make sure all parts and hardware are included and free of obvious Defect before disposing of any packaging
- .Place all wooden parts on a clean and smooth surface such as a rug or carpet to avoid the parts from being scratched.
- .DO NOT tighten all screws and bolts until completely assembled.
- .Assembly will require two people.

### PART LIST

PART LIST					
<b>10</b>	<b>11</b>	<b>12</b>	<b>13</b>	<b>14</b>	
					
2PCS	1PC	1PC	1PC	1PC	

### HARDWARE LIST





<b>D</b>	<b>E</b>	<b>F</b>	<b>G</b>		
					
2PCS	5PCS	2PCS	3PCS		

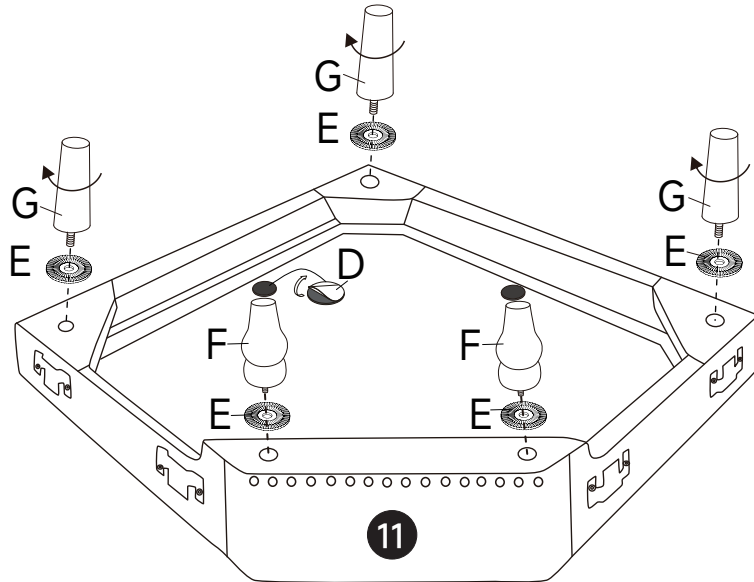
## NOTED:

1. DO not fully tighten all bolts until all parts are in place. Failure to follow these instructions may cause the bolt to misalign during assembly.
2. To prevent injury and property damaged from unexpected tipping of furniture we highly recommend installation of the anti-tip kit included with this product.

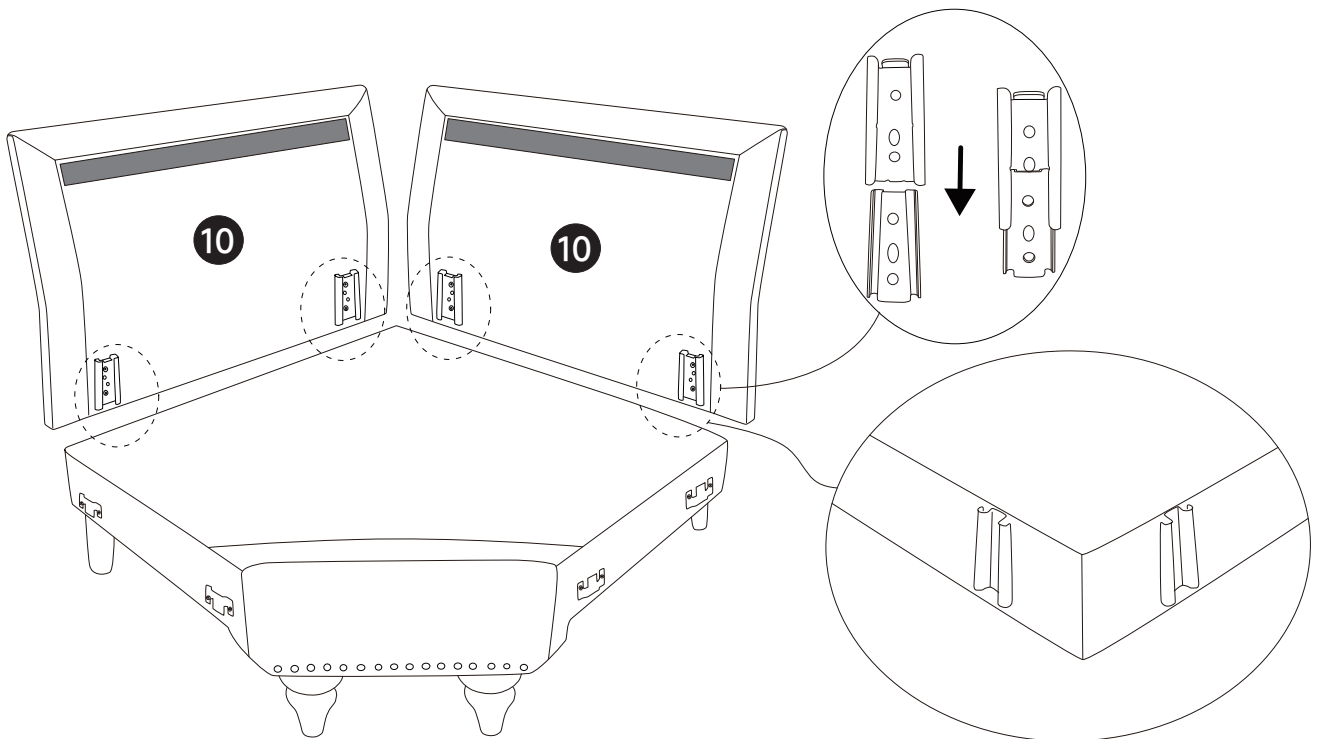
## Assembly Instruction

### Step 1

	DX2
	EX5
	FX2
	GX3



### Step 2

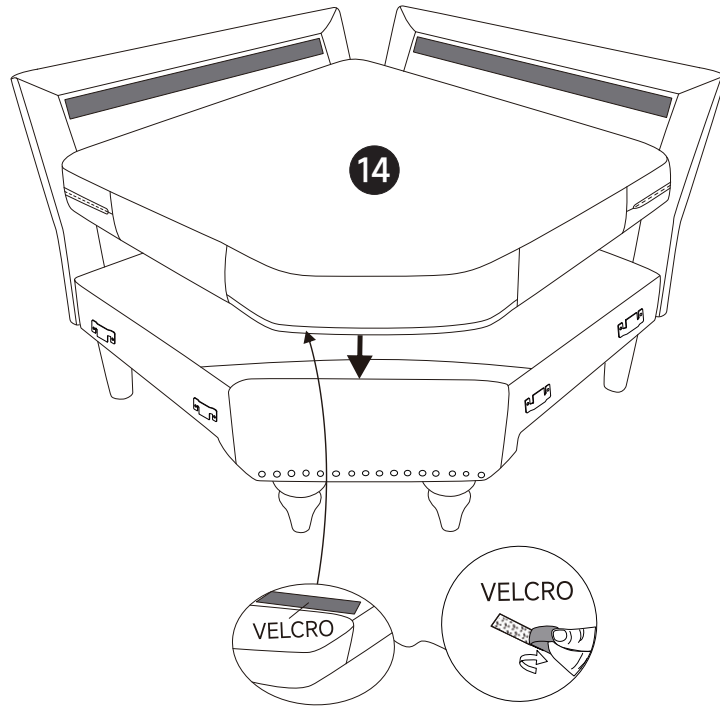


**NOTED:**

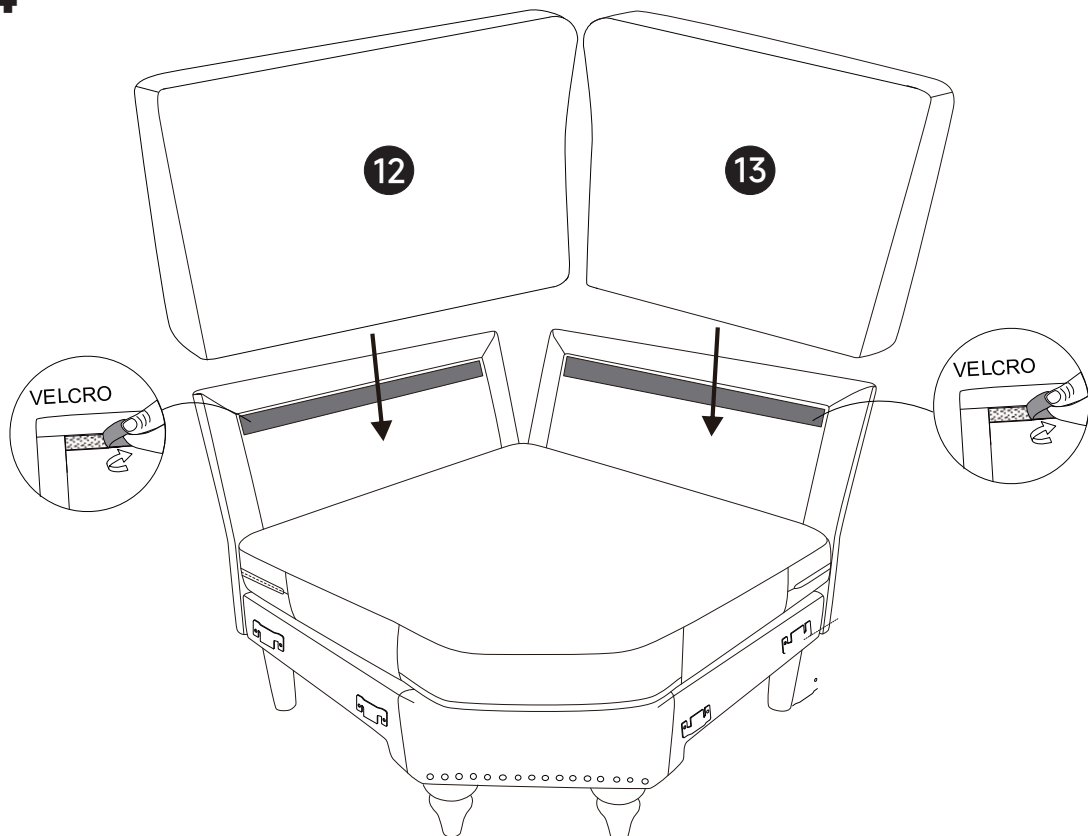
- 1. DO not fully tighten all bolts until all parts are in place. Failure to follow these instructions may cause the bolt to misalign during assembly.
- 2. To prevent injury and property damaged from unexpected tipping of furniture we highly recommend installation of the anti-tip kit included with this product.

**Assembly Instruction**

**Step 3**



**Step 4**

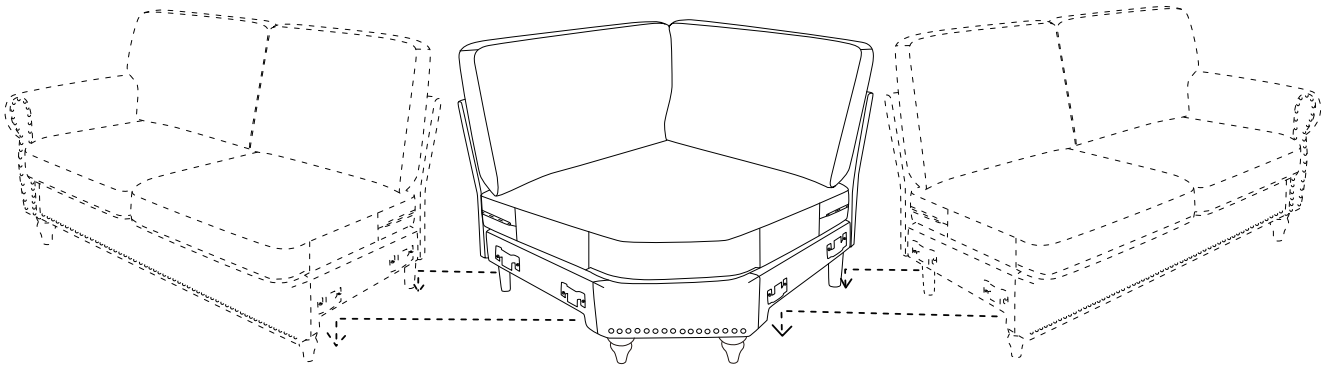


**NOTED:**

- 1. DO not fully tighten all bolts until all parts are in place. Failure to follow these instructions may cause the bolt to misalign during assembly.
- 2. To prevent injury and property damaged from unexpected tipping of furniture we highly recommend installation of the anti-tip kit included with this product.

**Assembly Instruction**

**Step 5**



**Step 6**

The cushion is in compression package . Just take out and plump up for hours . 48 hours is better for reaching its full size . Follow the assembly instructions to assemble after reach its full size .

