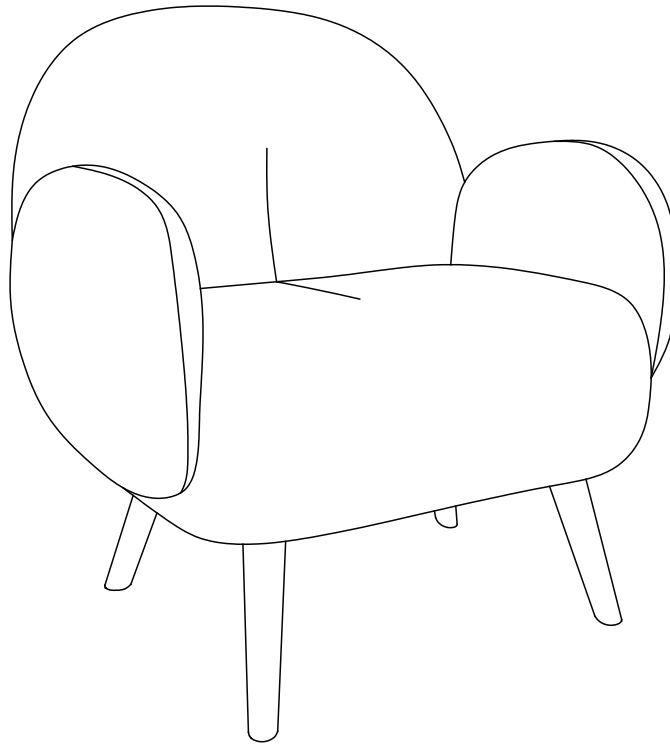


Assembly Instruction

Accent chair

IHD-AC22



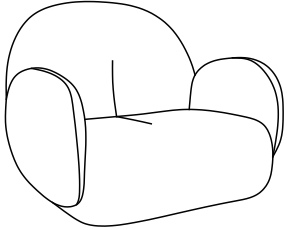
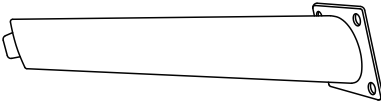
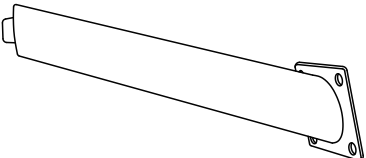
Customer Service Before Return:

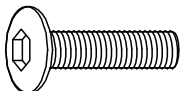
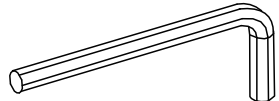
If part is missing or damaged, or you need help with assembly, please do not hesitate to contact us.

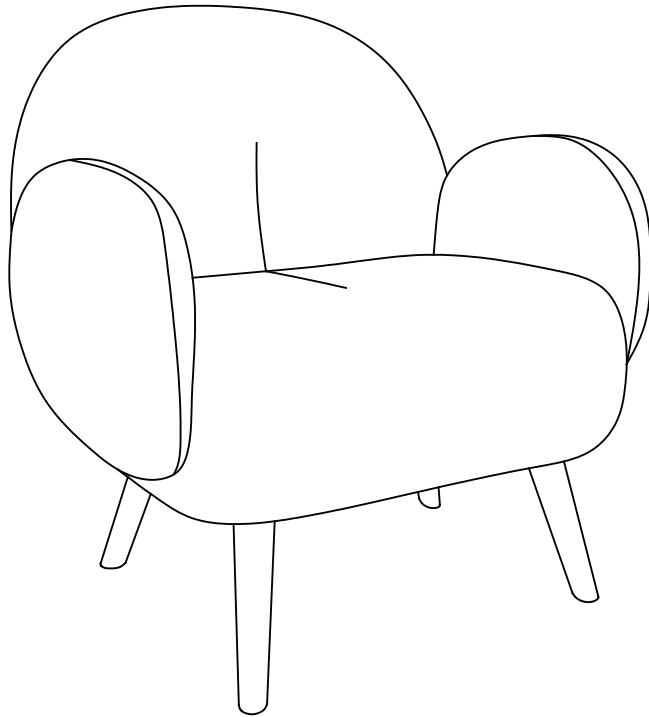
SELLER CONTACT INFORMATION:

contacts@ihomdec.com

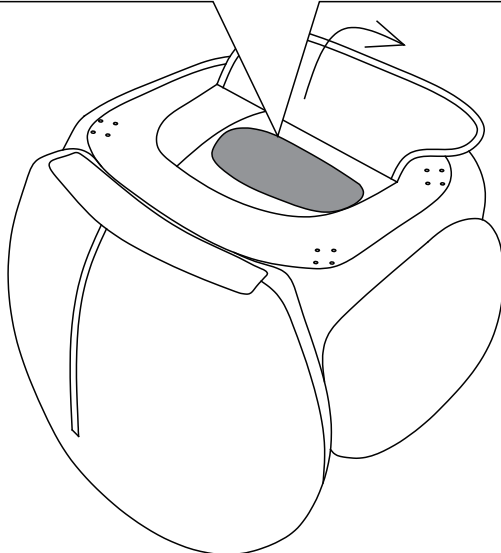
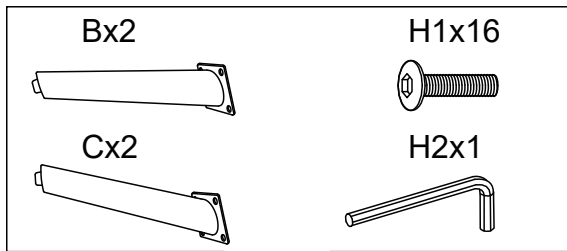
Component list

LABEL		DESCRIPTION	QTY
A		Chair body	1
B		Front legs	2
C		Rear legs	2

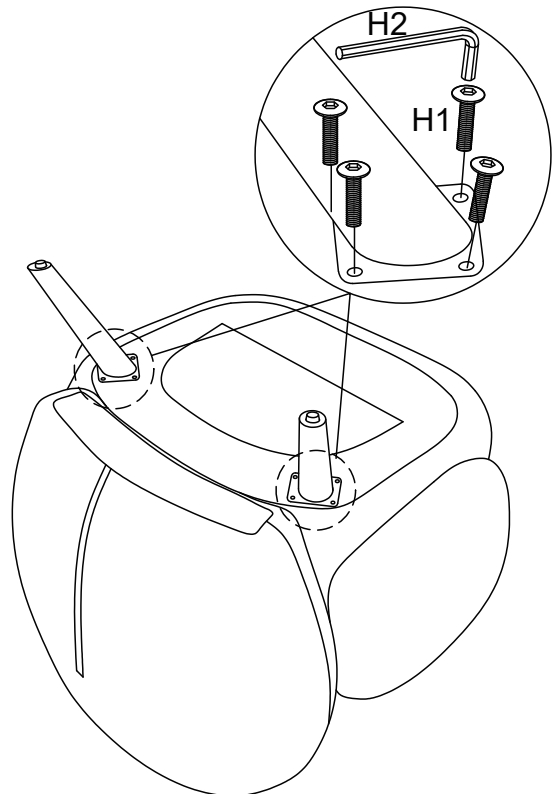
LABEL		DESCRIPTION	QTY
H1		Screw M6x20mm	16
H2		Allen Key	1



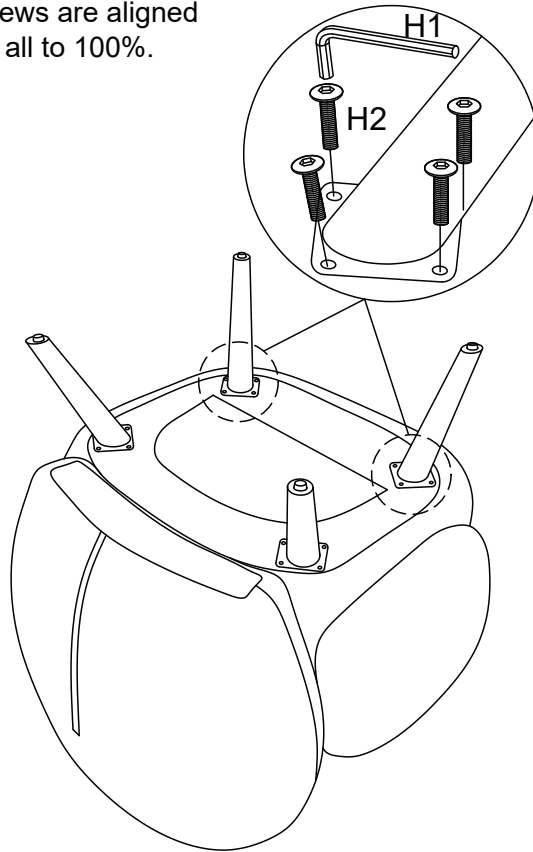
Step 1: Take out legs from the bottom of Seat.



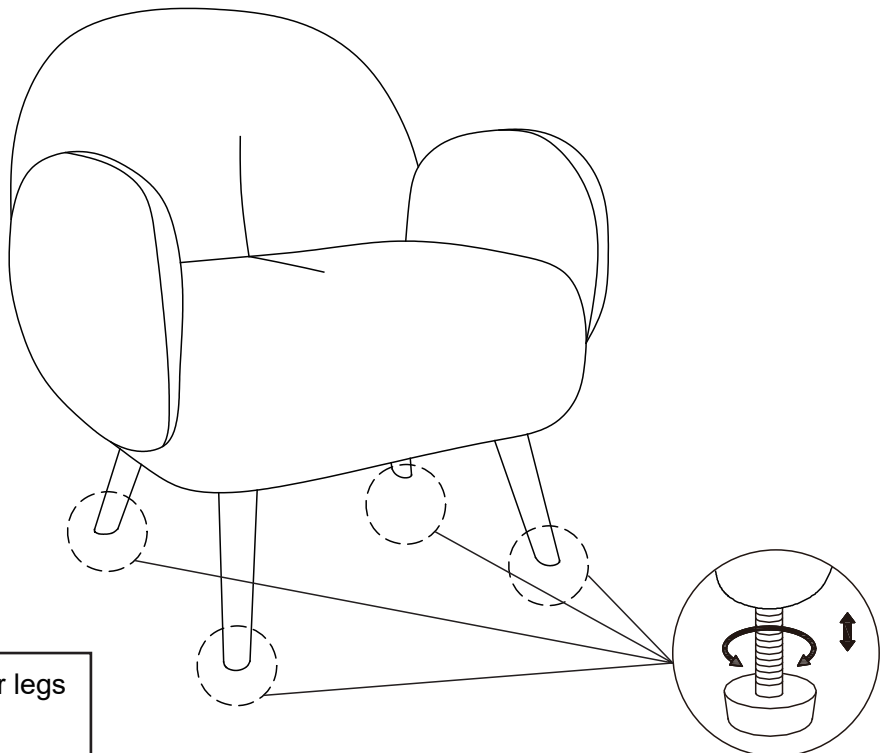
Step 2: Legs installation NOTES: Install screws one by one to 60% to ensure screws are aligned with the holes, then tighten all to 100%.



Step 3: Legs installation NOTES: Install screws one by one to 60% to ensure screws are aligned with the holes, then tighten all to 100%.



Step 4: Finished!



Attention: Front legs and rear legs with Adjustable levelers.