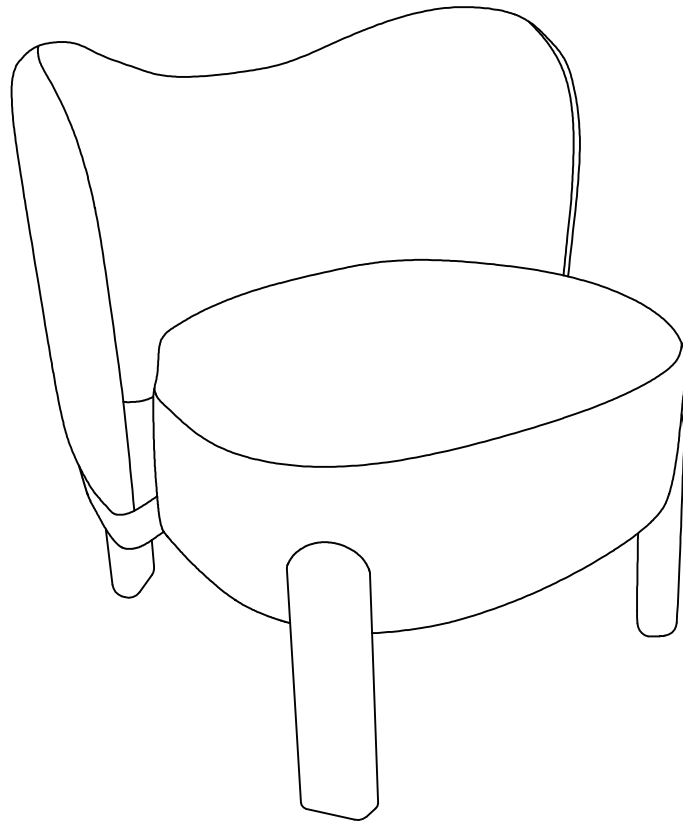


Assembly Instruction

Leisure Chair

SKU: IHD-JKAC20



Customer Service Before Return:

If part is missing or damaged, or you need help with assembly, please do not hesitate to contact us.

SELLER CONTACT INFORMATION:

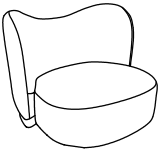

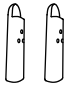

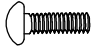

contacts@ihomdec.com

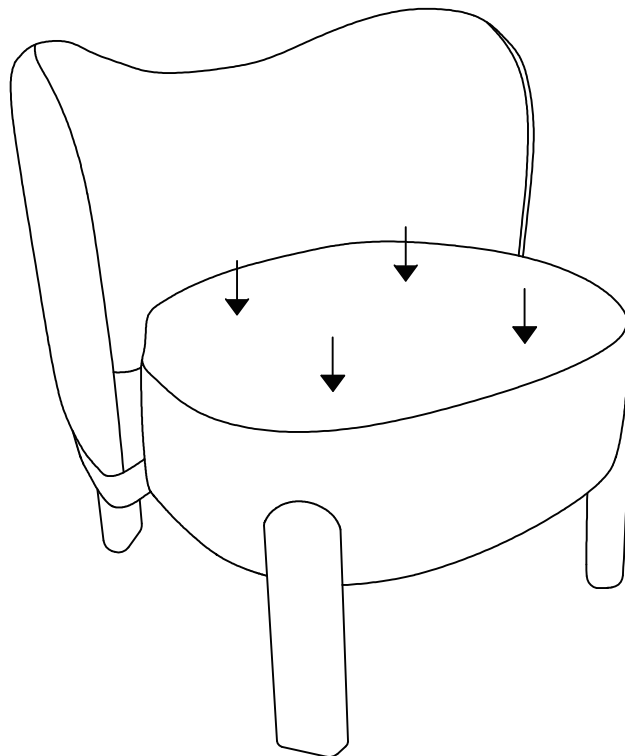
Before Assembly

IMPORTANT NOTE:

- Make sure all parts and hardware are included and free of obvious Defect before disposing of any packaging
- Place all wooden parts on a clean and smooth surface such as a rug or carpet to avoid the parts from being scratched.
- DO NOT tighten all screws and bolts until completely assembled.
- Assembly will require two people.

PART LIST

A	B	C	D	E	F	
				 M6x25MM	 M6	
1PC	2PCS	2PCS	4PCS	28PCS	1PC	

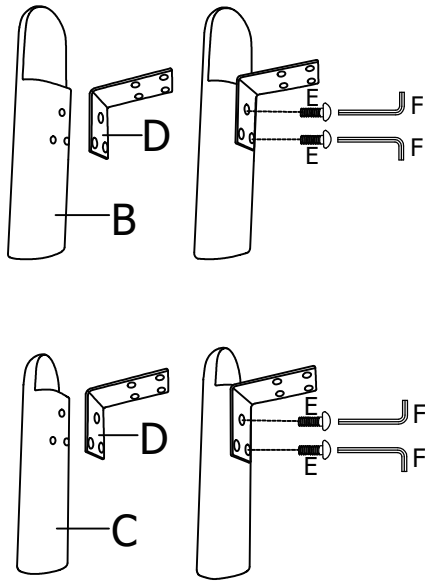


NOTED:

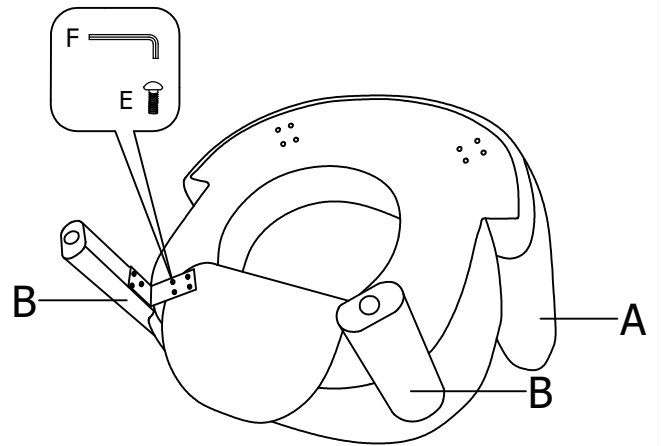
1. Do not fully tighten all bolts until all parts are in place. Failure to follow these instructions may cause the bolt to misalign during assembly.
2. To prevent injury and property damaged from unexpected tipping of furniture, we highly recommend installation of the anti-tip kit included with this product.

Assembly Instruction

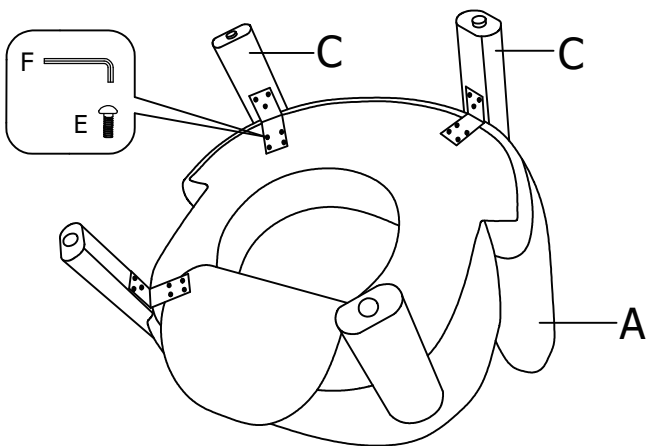
Step 1



Step 2



Step 3



Step 4

