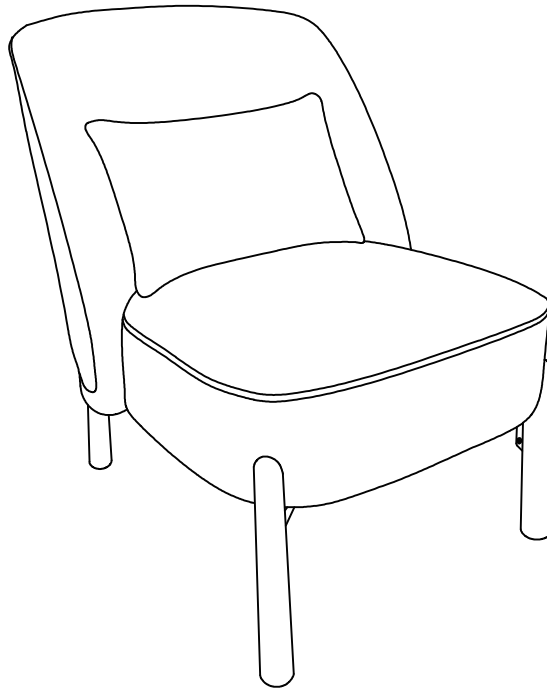


Assembly Instruction

Bar Chair

SKU: IHD-JKAC16



Customer Service Before Return:

If part is missing or damaged, or you need help with assembly, please do not hesitate to contact us.

SELLER CONTACT INFORMATION:


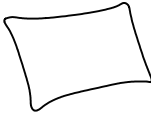

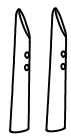



contacts@ihomdec.com

Before Assembly


IMPORTANT NOTE:

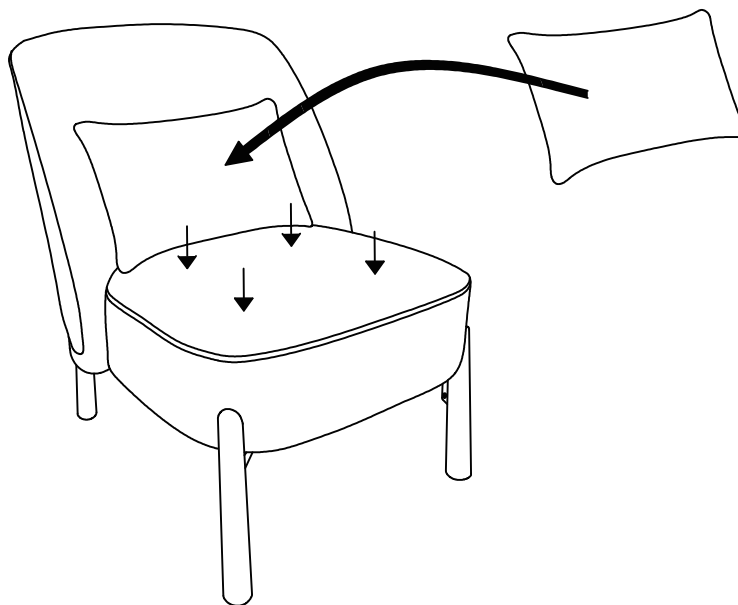
- Make sure all parts and hardware are included and free of obvious Defect before disposing of any packaging
- Place all wooden parts on a clean and smooth surface such as a rug or carpet to avoid the parts from being scratched.
- DO NOT tighten all screws and bolts until completely assembled.
- Assembly will require two people.

PART LIST

PART LIST						
A	B	C	D	E	F	G
				 M6x25MM	 M6	
1PC	1PC	2PCS	1PCS	20PCS	1PC	2PCS

HARDWARE LIST

H						
						
2PCS						



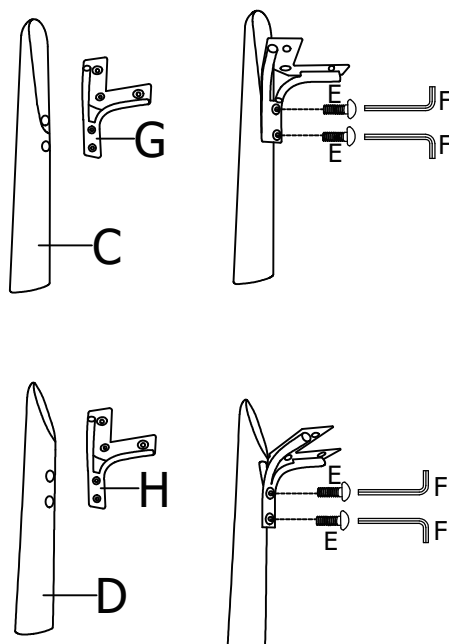
Note: The chair's legs must be adjusted balance on a flat surface before tightening screws to 100%

NOTED:

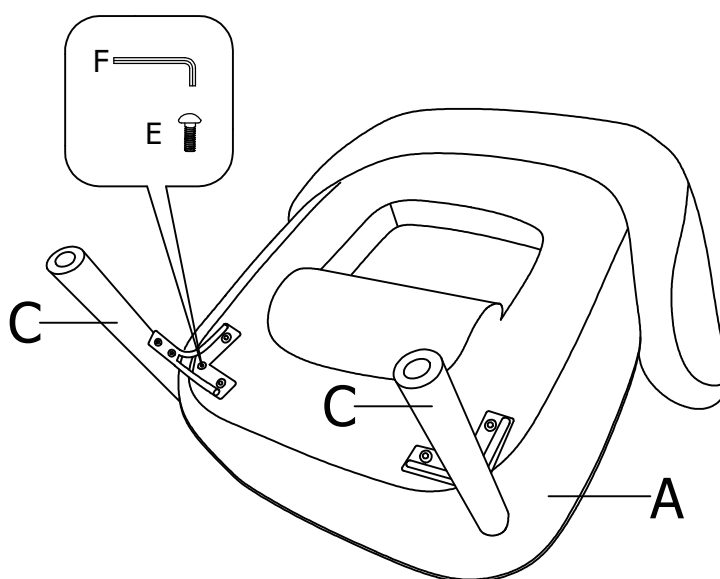
1. Do not fully tighten all bolts until all parts are in place. Failure to follow these instructions may cause the bolt to misalign during assembly.
2. To prevent injury and property damaged from unexpected tipping of furniture, we highly recommend installation of the anti-tip kit included with this product.

Assembly Instruction

Step 1



Step 2

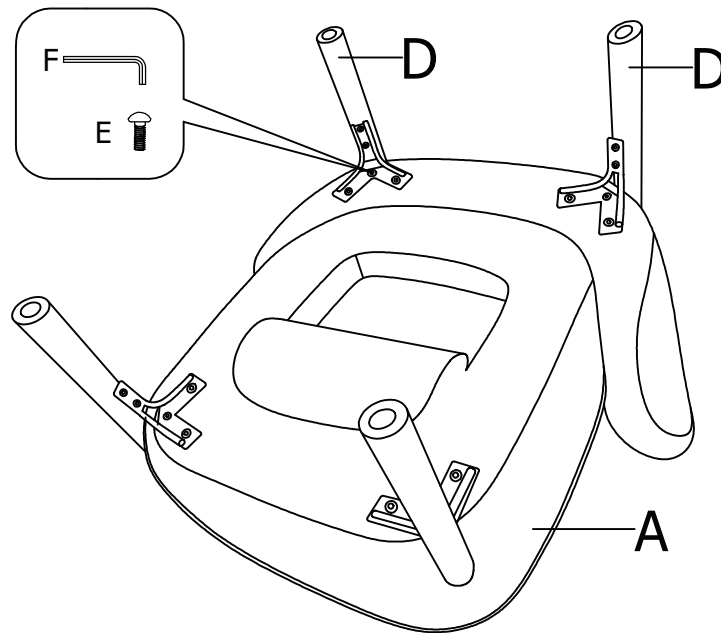


NOTED:

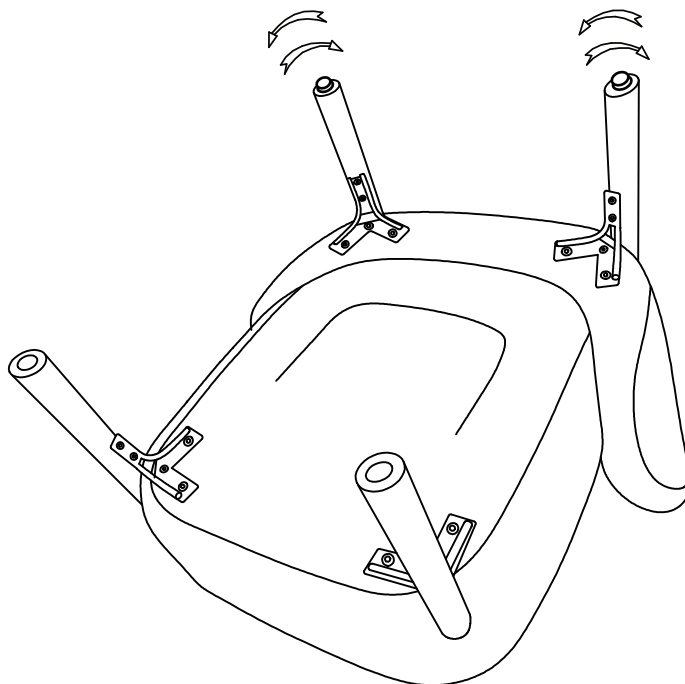
1. Do not fully tighten all bolts until all parts are in place. Failure to follow these instructions may cause the bolt to misalign during assembly.
2. To prevent injury and property damaged from unexpected tipping of furniture, we highly recommend installation of the anti-tip kit included with this product.

Assembly Instruction

Step 3



Step 4



The height can be adjusted by back leg nails.