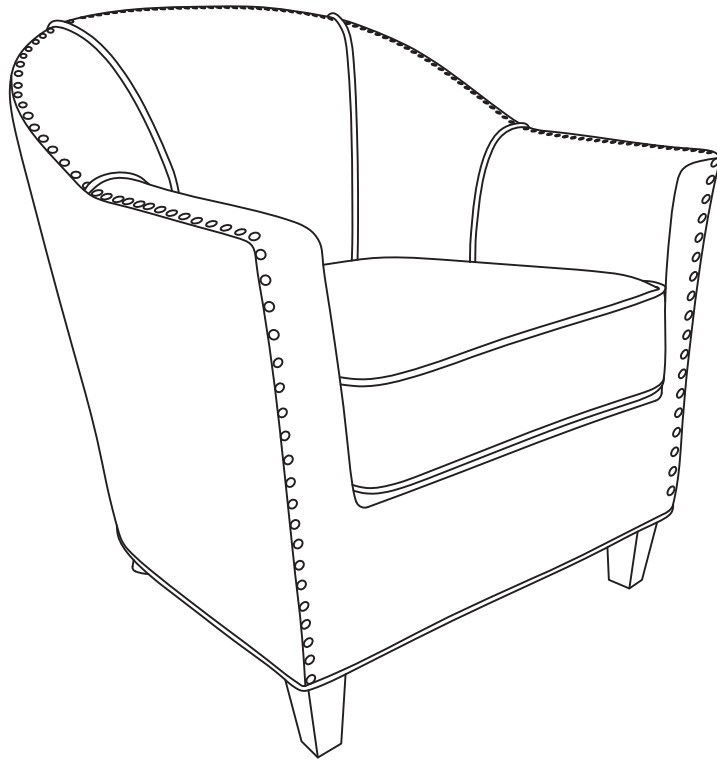


Assembly Instruction
Accent chair
IHD-TB05

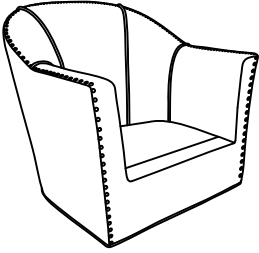
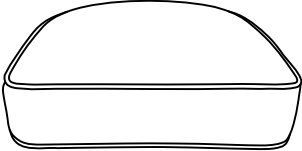
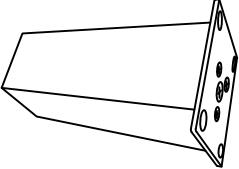
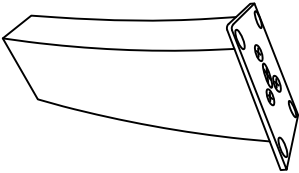


Customer Service Before Return:



If part is missing or damaged, or you need help with assembly, please do not hesitate to contact us.

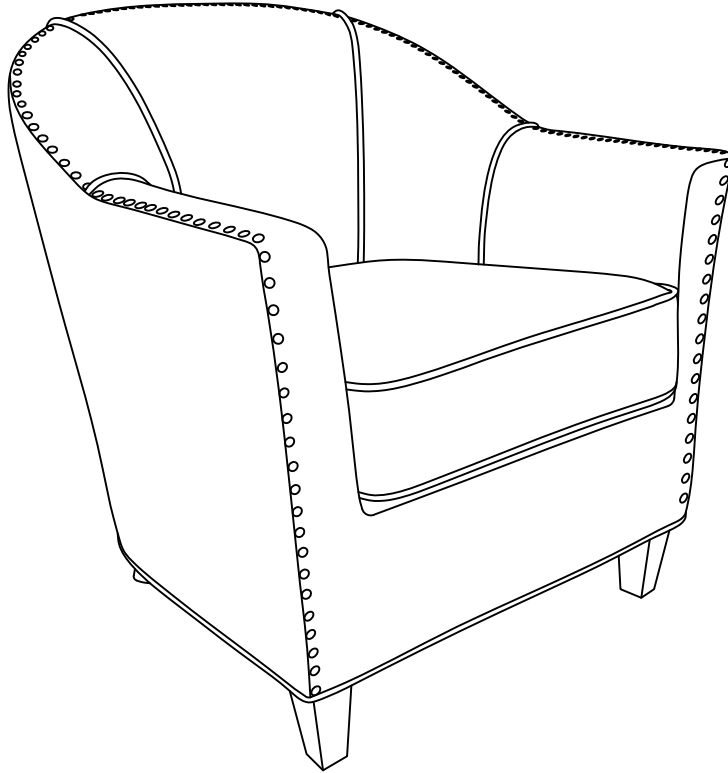
SELLER CONTACT INFORMATION:

contacts@ihomdec.com

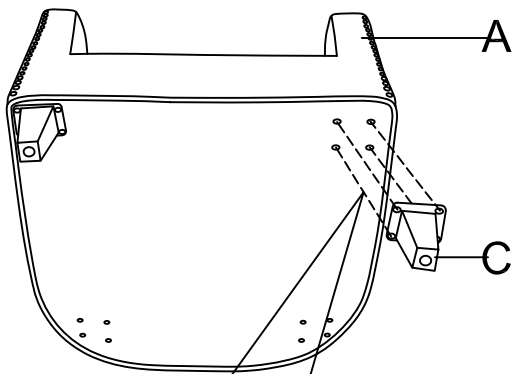
Component List			
LABEL		DESCRIPTION	QTY
A		Chair body	1
B		Seat pad	1
C		Front leg	2
D		Rear leg	2

Component List

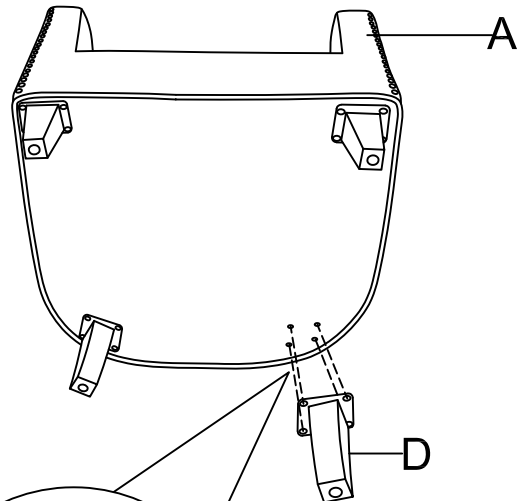
LABEL		DESCRIPTION	QTY
H1		Screw M6x20mm	16
H2		Allen key	1



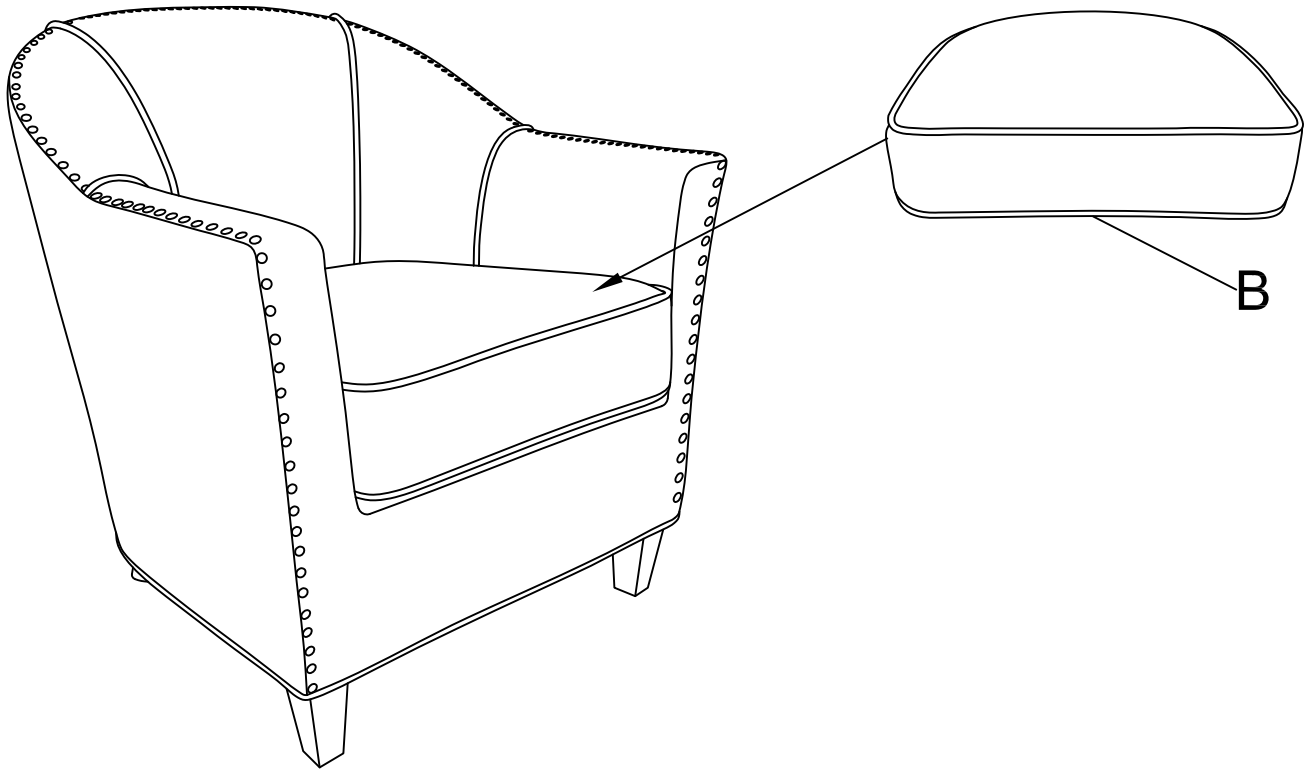
Step 1:



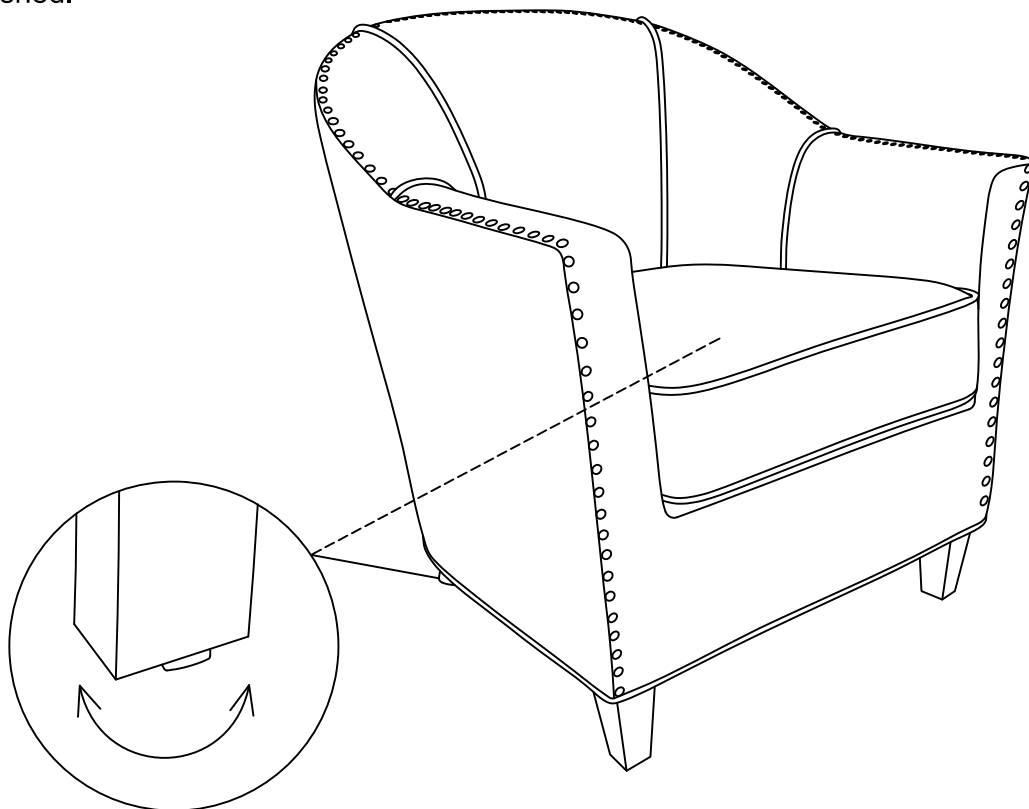
Step 2:



Step 3:



Finished.



level adjustment