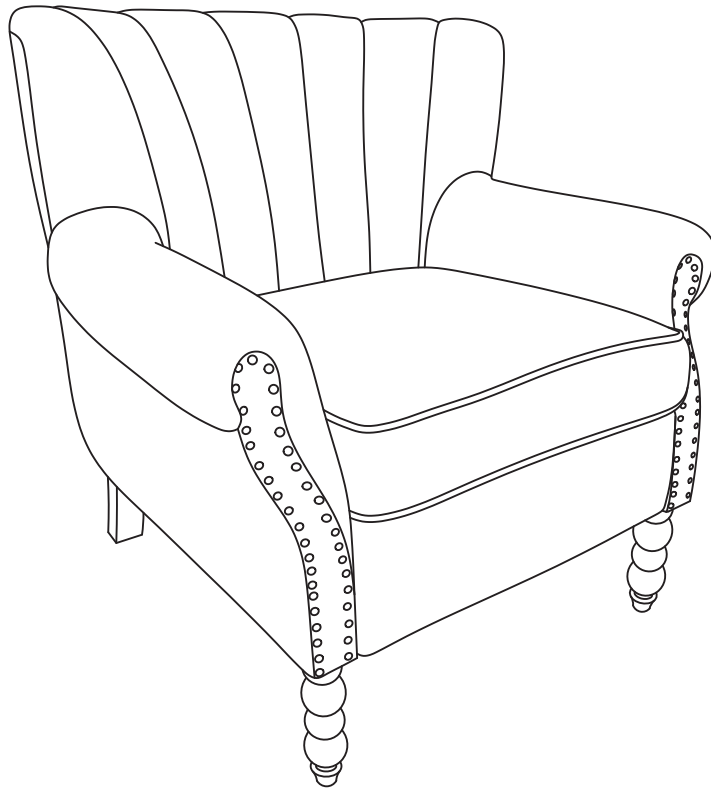


Assembly Instruction  
Accent chair  
IHD-TB04



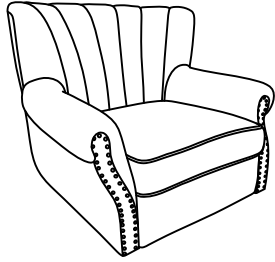


**Customer Service Before Return:**

If part is missing or damaged, or you need help with assembly, please do not hesitate to contact us.

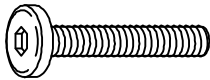

**SELLER CONTACT INFORMATION:**

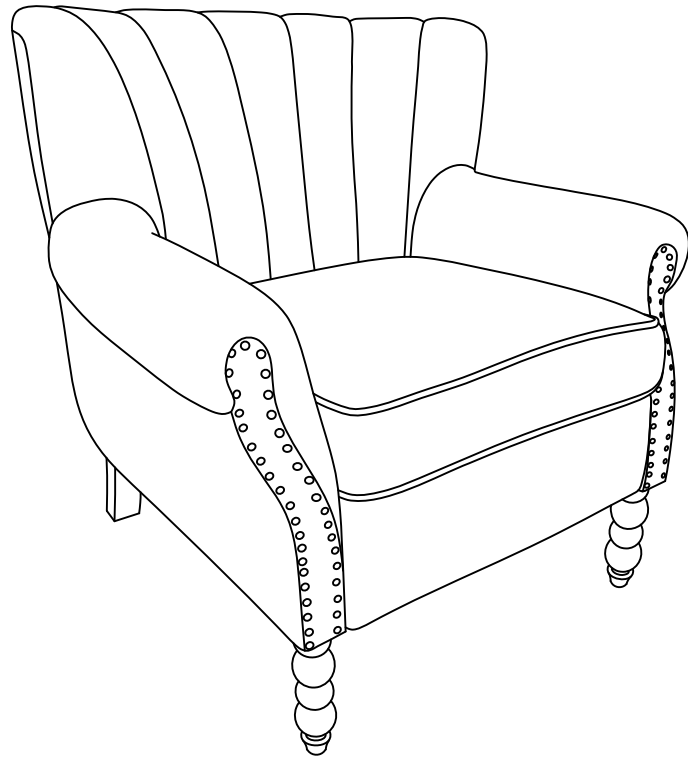
[contacts@ihomdec.com](mailto:contacts@ihomdec.com)

## Component List

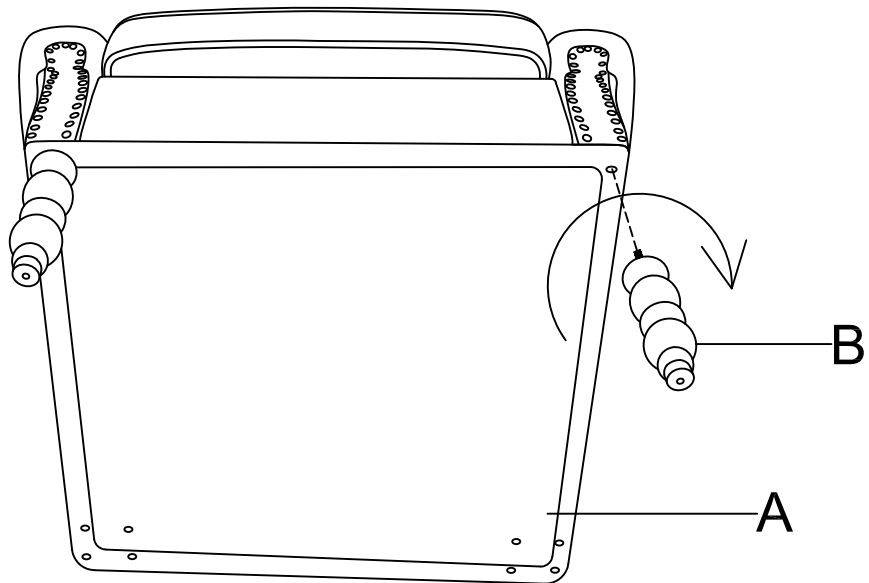
LABEL		DESCRIPTION	QTY
A		Chair body	1
B		Front leg	2
C		Rear leg	2

## Component List

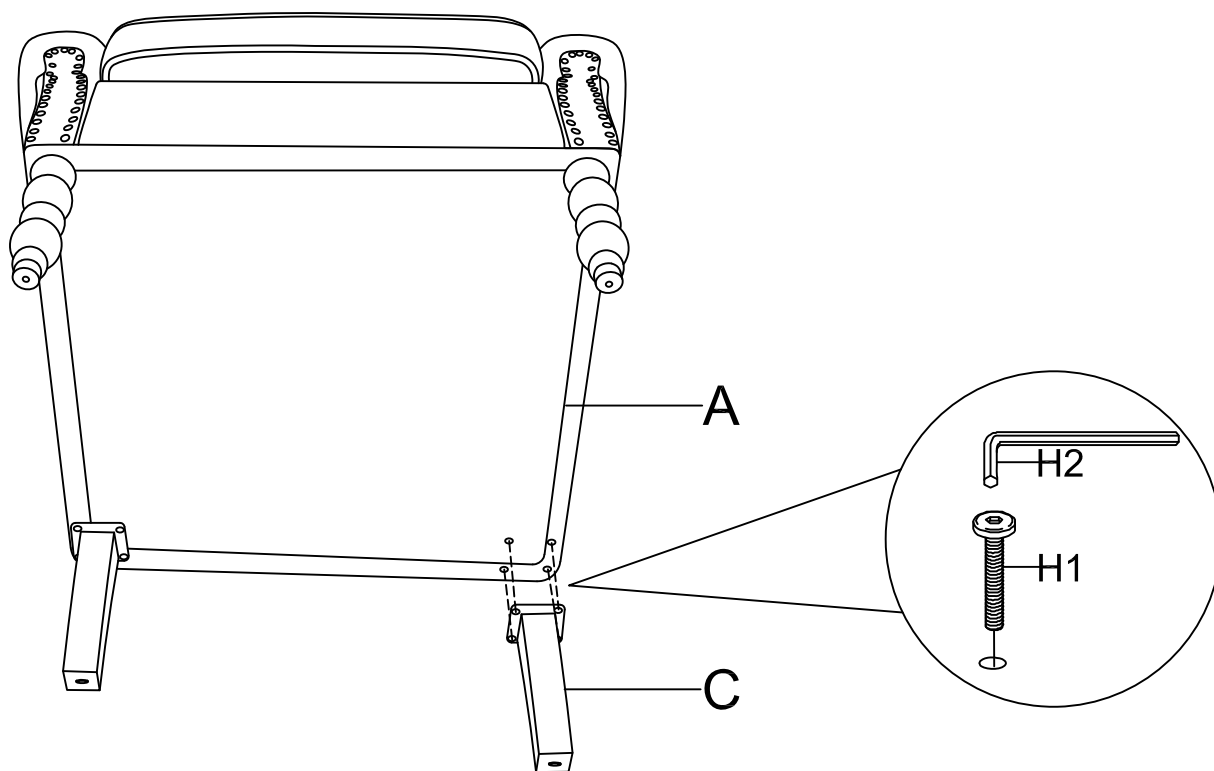
LABEL		DESCRIPTION	QTY
H1		Screw M6x20mm	8
H2		Allen key	1



Step 1:



Step 2:



Finished.

