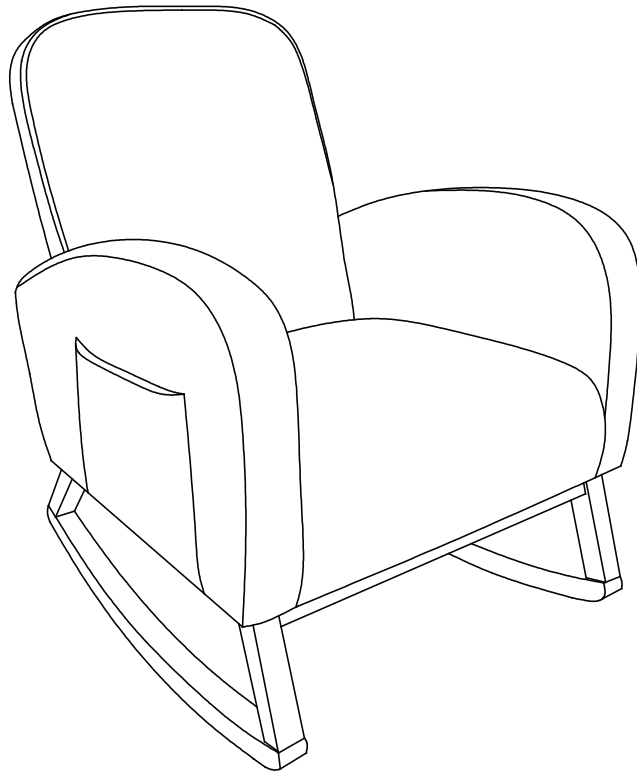


Assembly Instruction

Rocking Chair

SKU: IHD-JKAC12



Customer Service Before Return:

If part is missing or damaged, or you need help with assembly, please do not hesitate to contact us.

SELLER CONTACT INFORMATION:

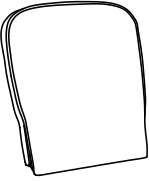
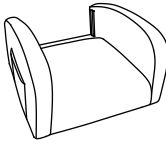
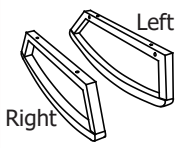
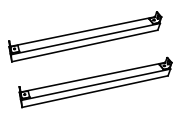
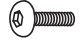

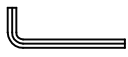
contacts@ihomdec.com

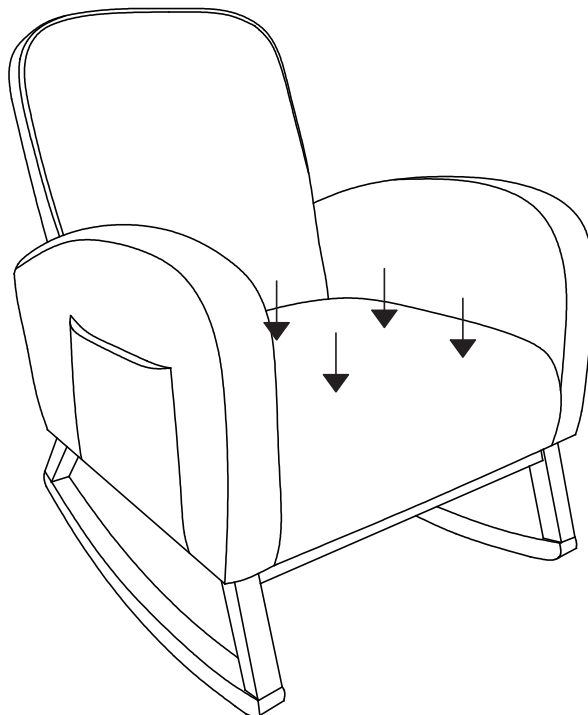
Before Assembly

IMPORTANT NOTE:

- Make sure all parts and hardware are included and free of obvious Defect before disposing of any packaging.
- Place all wooden parts on a clean and smooth surface such as a rug or carpet to avoid the parts from being scratched.
- DO NOT tighten all screws and bolts until completely assembled.
- Assembly will require two people.

PART LIST

A	B	C	D	E	F	G
				 M6x20MM	 M6x50MM	 M6
1PC	1PC	2PC	2PC	4PC	4PC	1PC

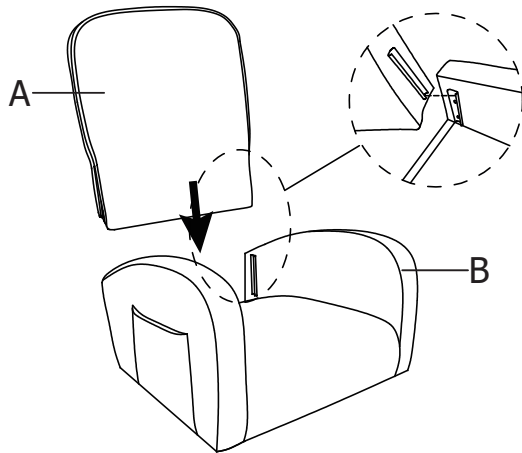


NOTED:

1. Do not fully tighten all bolts until all parts are in place. Failure to follow these instructions may cause the bolt to misalign during assembly.
2. To prevent injury and property damaged from unexpected tipping of furniture, we highly recommend installation of the anti-tip kit included with this product.

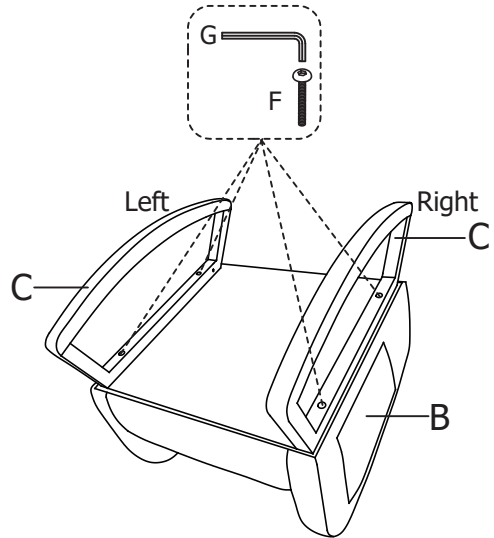
Assembly Instruction

Step 1

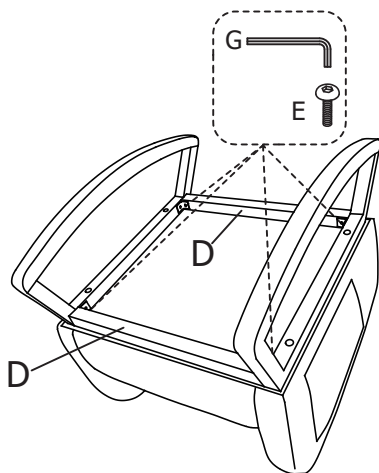


Please make sure that the backrest is securely locked.

Step 2



Step 3



Step 4

