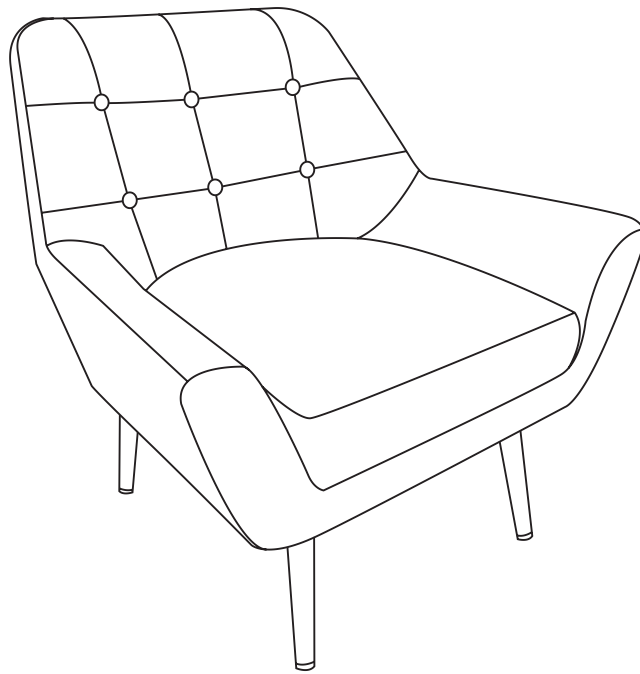


Assembly Instruction
ACCENT CHAIR
IHD-AC14



customer service Before Return:

If part is missing or damaged, or you need help with assembly,
please do not hesitate to contact Us .

SELLER CONTACT | NFORMATION:

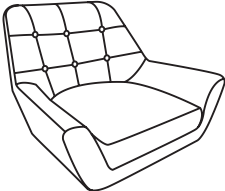
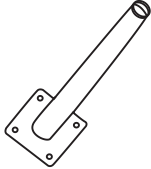
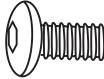

contacts@ihomdec.com

Before Assembly

IMPORTANT NOTE:

- Make sure all parts and hardware are included and free of obvious Defect before disposing of any packaging
- place all wooden parts on a clean and smooth surface such as a rug or carpet to avoid the parts from being scratched .
- DO NOT tighten all screws and bolts until completely assembled .
- Assembly will require two people.

PART LIST

| | | | |
|---|---|--|---|
| A  | B  | C  | D  |
| 1PC | 4PCS | 16PCS | 1PC |

