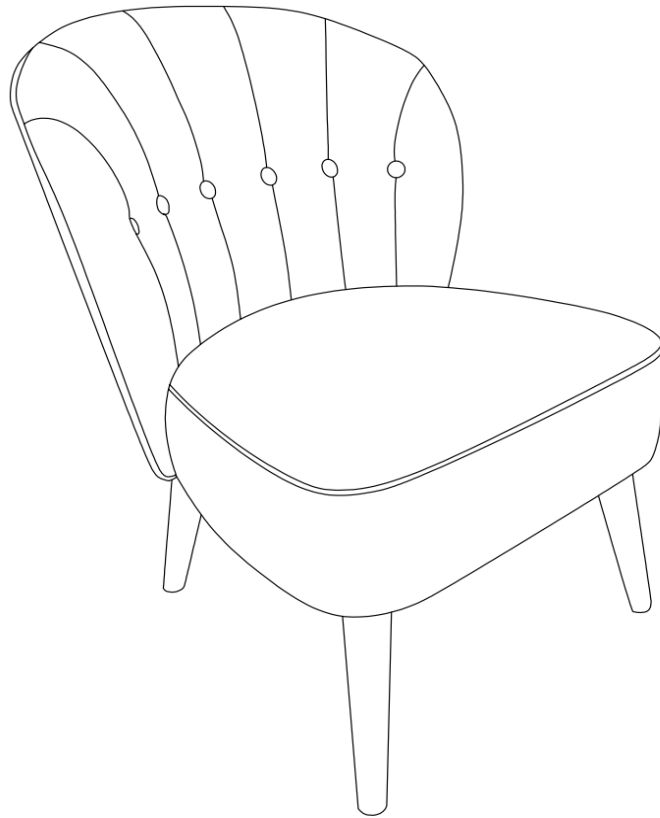


Assembly Instruction
Accent chair
IHD-AC10



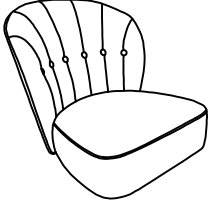
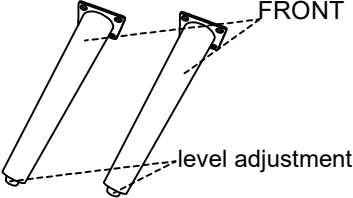
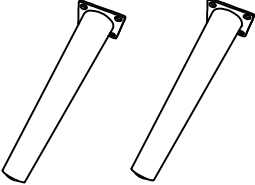
Customer Service Before Return:

If part is missing or damaged, or you need help with assembly, please do not hesitate to contact us.

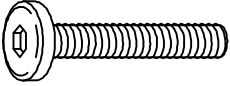

SELLER CONTACT INFORMATION:

contacts@ihomdec.com

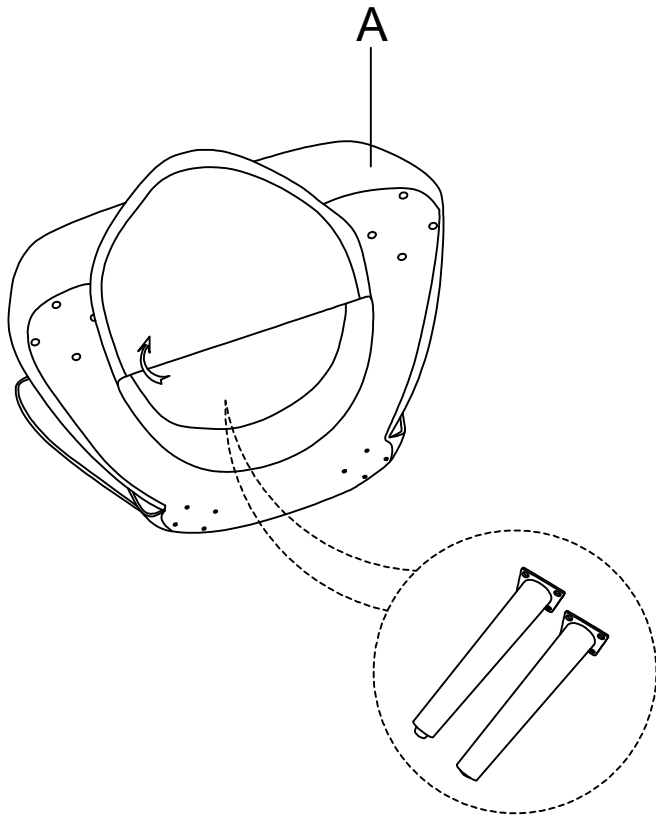
Component List

LABEL		DESCRIPTION	QTY
A		Chair body	1
B		Front leg	2
C		Rear leg	2

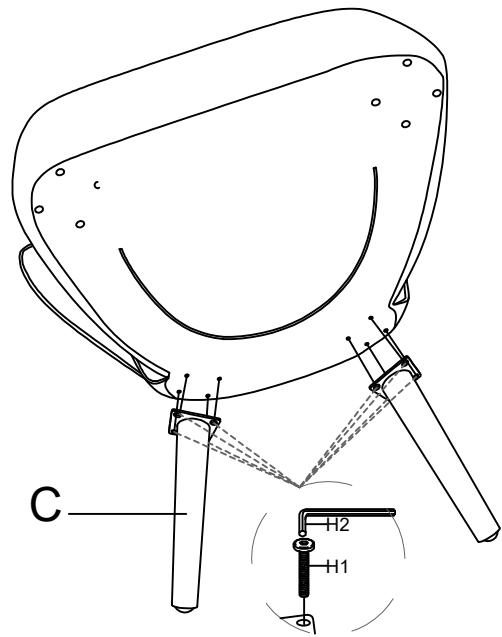
Component List

LABEL		DESCRIPTION	QTY
H1		Screw M6x20	16
H2		Allen key	1

1 Take out legs from bottom of Seat.

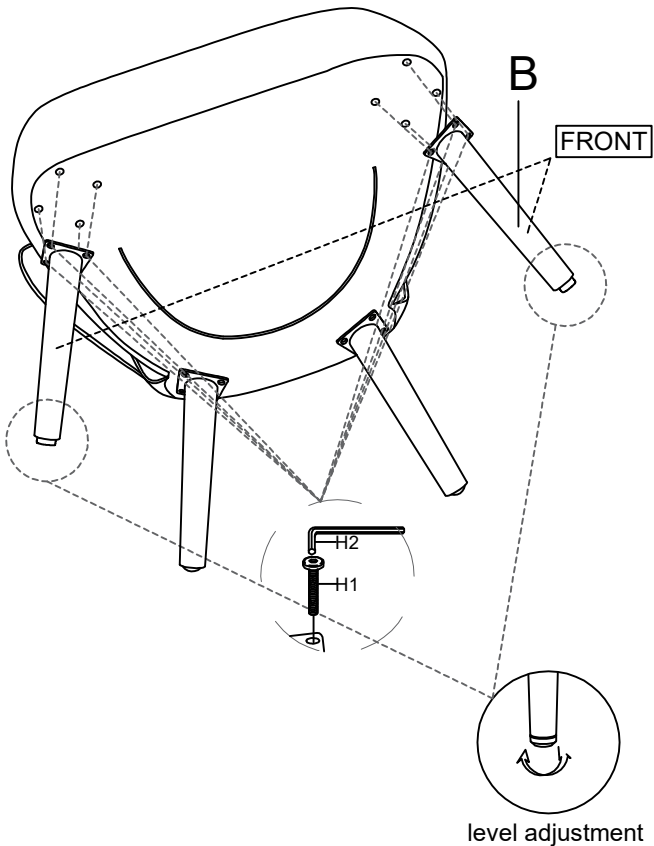


2 Assemble rear legs.



3 Assemble front legs.

Attention: Front legs with Adjustable levelers.



4 Finished!

