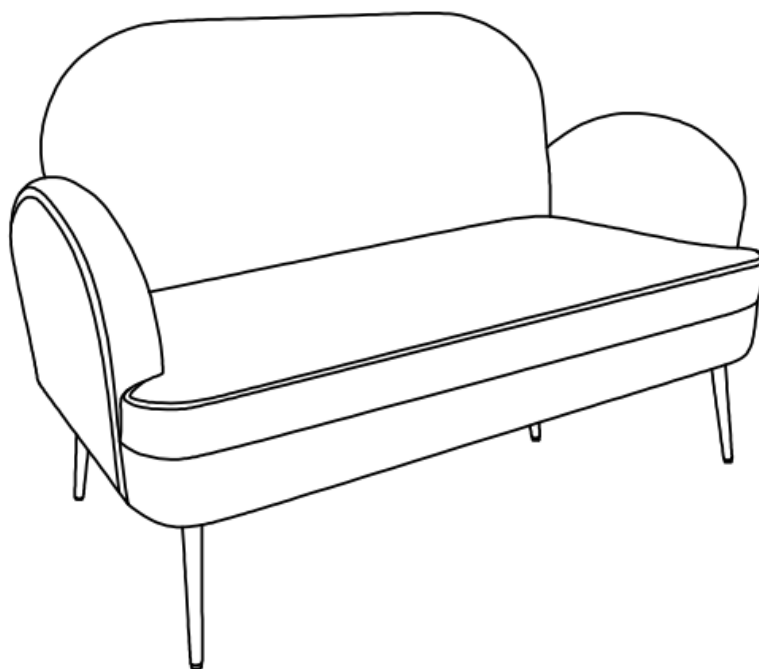


Assembly Instruction

Sofa

IHD-SF02-2



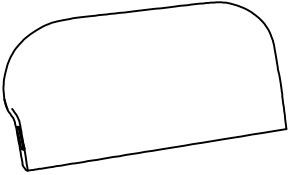
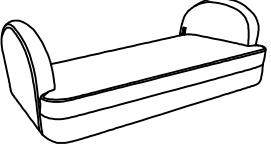
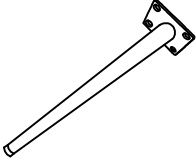
Customer Service Before Return:

If part is missing or damaged, or you need help with assembly, please do not hesitate to contact us.

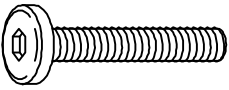
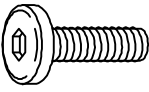
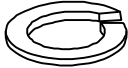
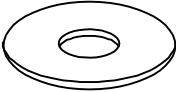

SELLER CONTACT INFORMATION:

contacts@ihomdec.com

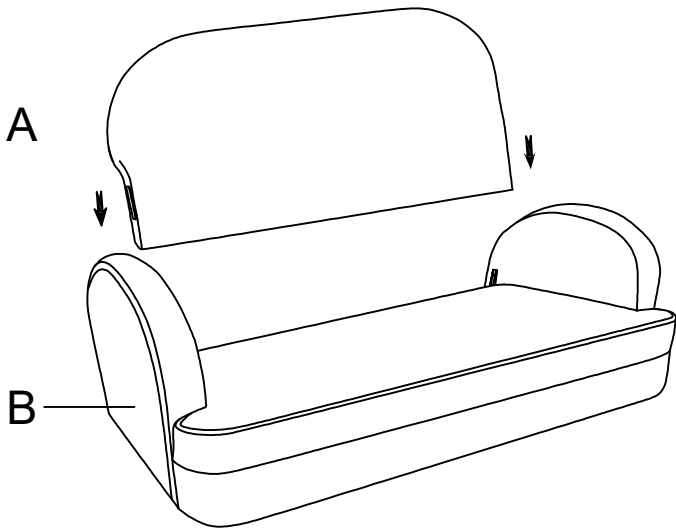
Component List

LABEL		DESCRIPTION	QTY
A		Backrest	1
B		Seat	1
C		Leg	4

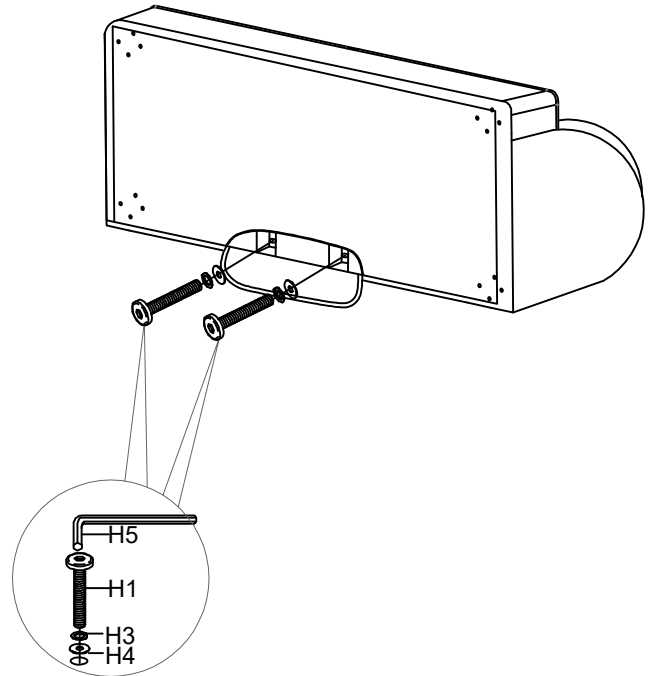
Component List

LABEL		DESCRIPTION	QTY
H1		Screw M6*50	2
H2		Screw M6*20	16
H3		Spring Washer	2
H4		Washer M8x22mm	2
H5		Allen key	1

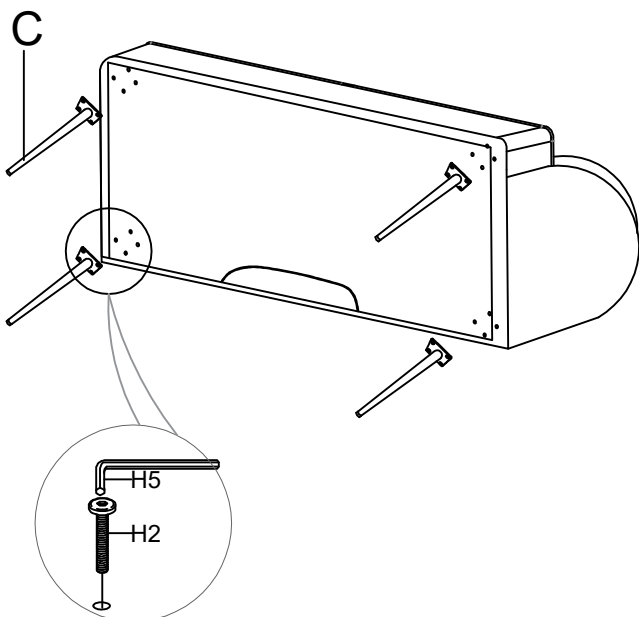
- 1 Push the backrest 100% reach the bottom of seat and make sure no gap between backrest and seat.



- 2 Fix backrest to seat with screws H1.



- 3 Assemble 4 legs.



- 4 Finished.

