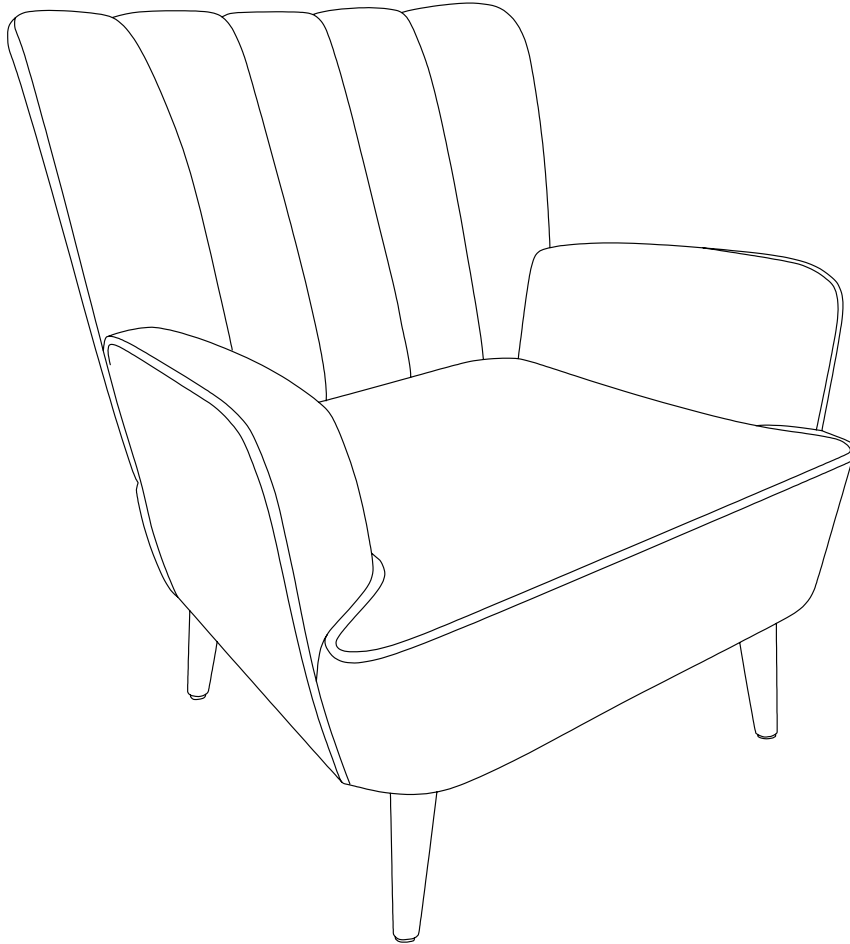


Assembly Instruction
Accent chair
IHD-AC09



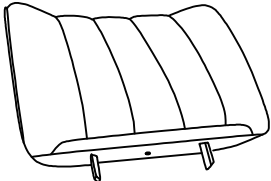
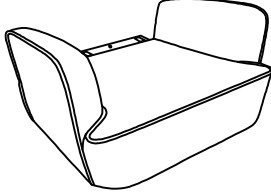
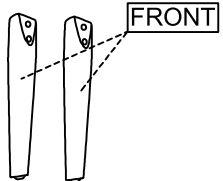
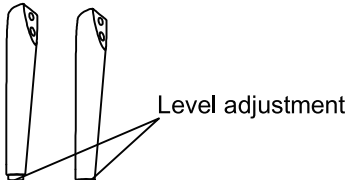
Customer Service Before Return:

If part is missing or damaged, or you need help with assembly, please do not hesitate to contact us.

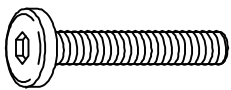



SELLER CONTACT INFORMATION:

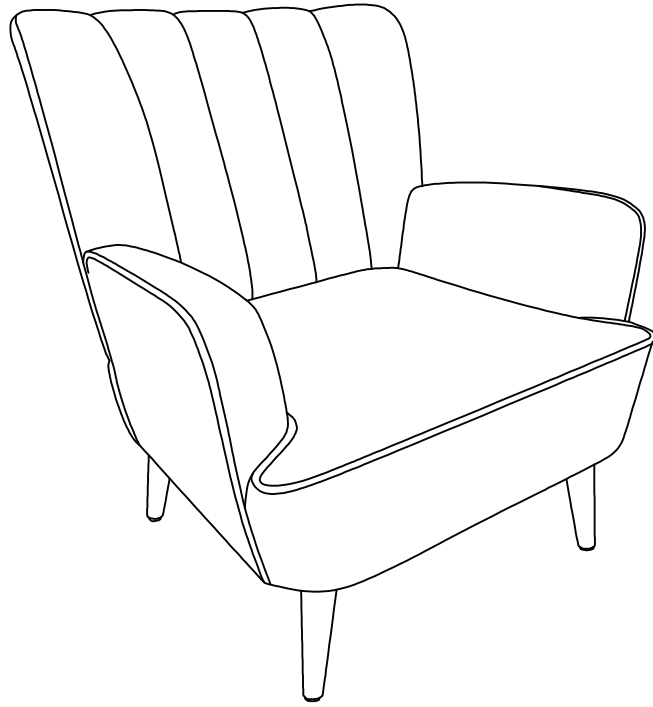
contacts@ihomdec.com

Component List

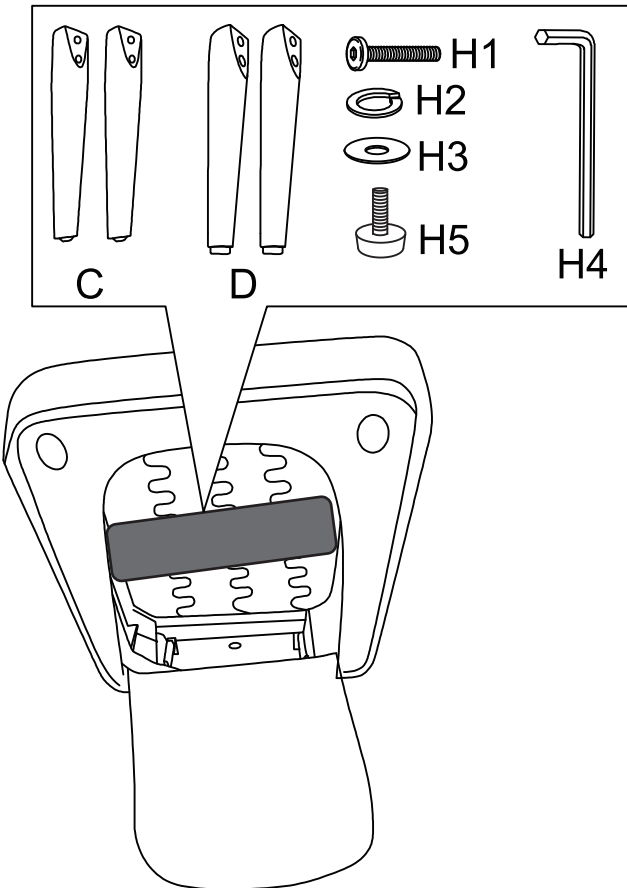
LABEL		DESCRIPTION	QTY
A		Backrest	1
B		Seat	1
C		Front leg	2
D		Rear leg	2

Component List

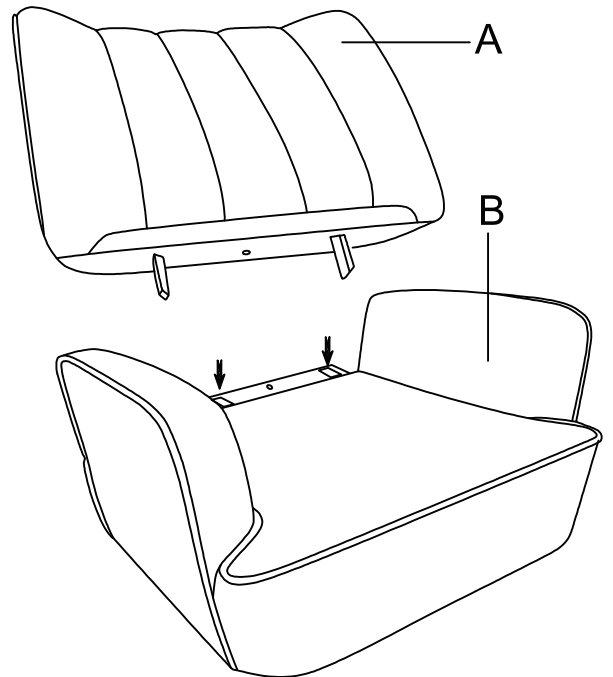
LABEL		DESCRIPTION	QTY
H1		Screw M8X45MM	9
H2		Spring washer	9
H3		Washer M8x22mm	9
H4		Allen key	1



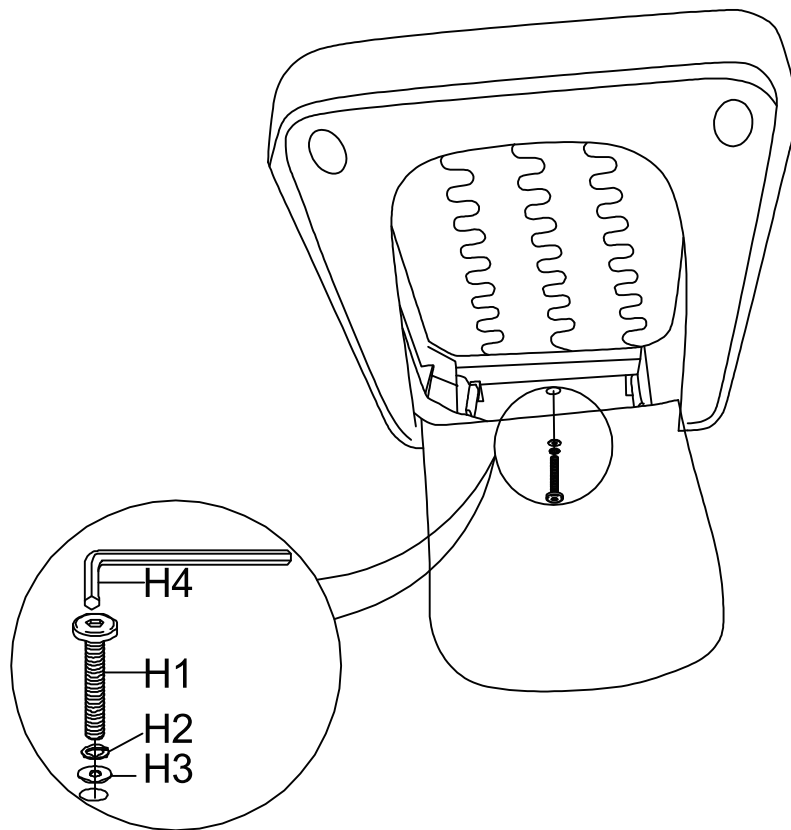
1 Take out legs and screws from bottom of seat.



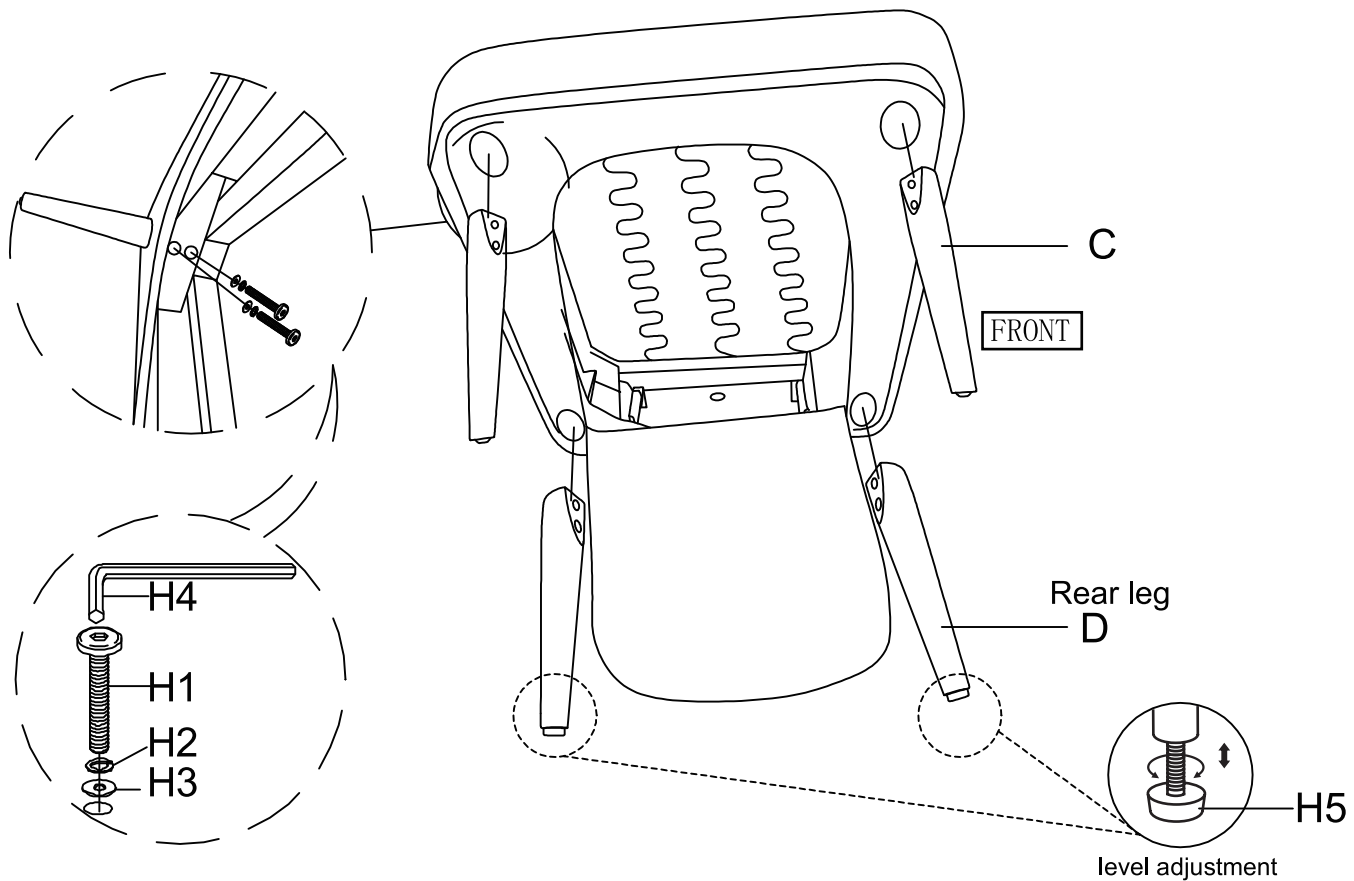
2 Push the backrest 100% reach the bottom of seat and make sure no gap between backrest and seat.



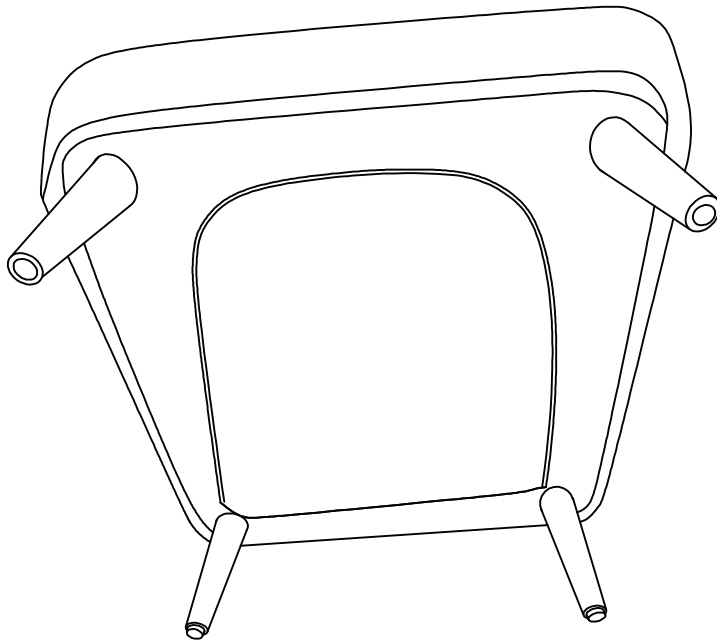
3 Fix backrest to seat with screws H1.



4 Assemble 4 legs. Attention: Rear legs with adjustable levelers.



5 Close the zipper.



6 Finished.

