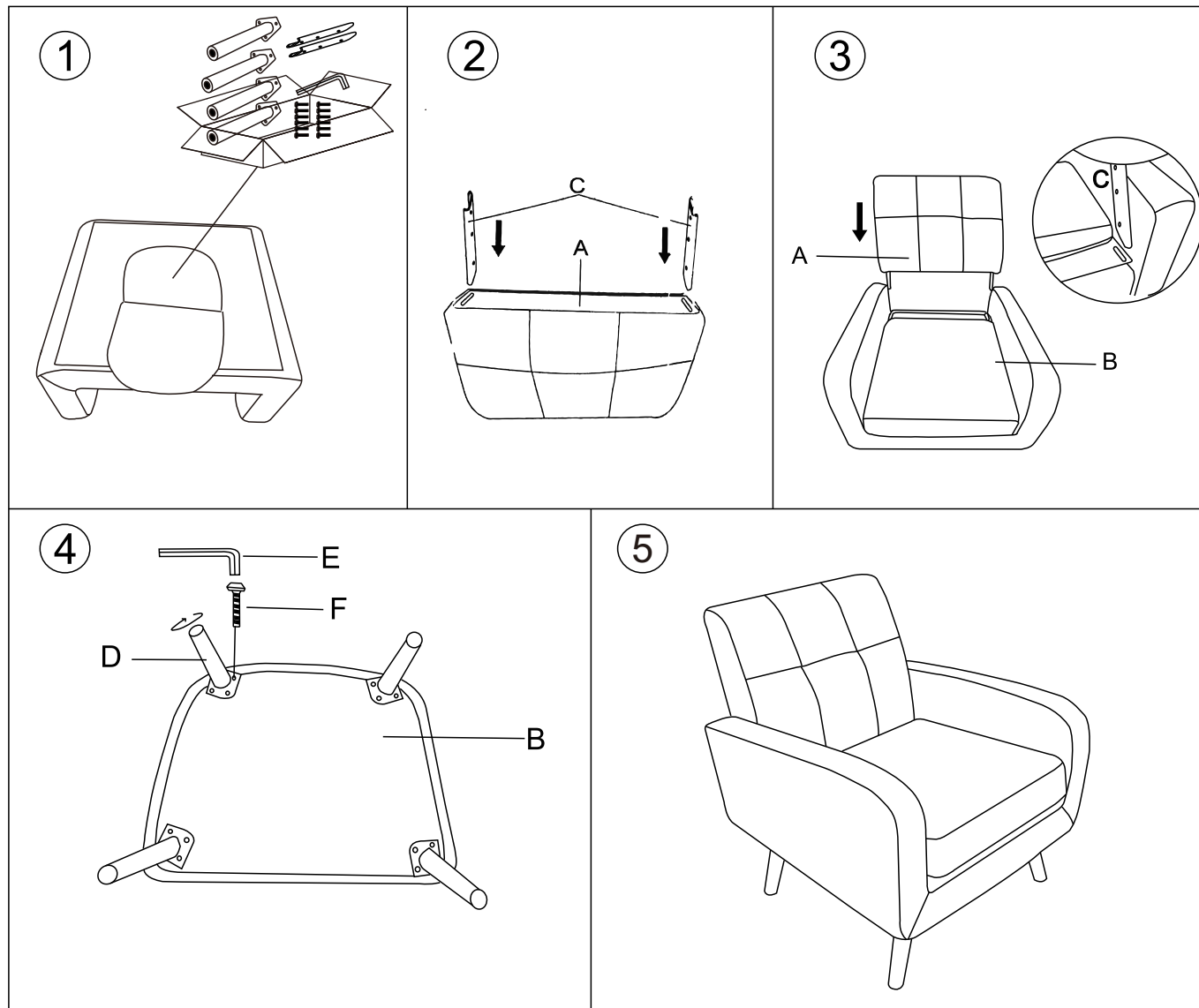
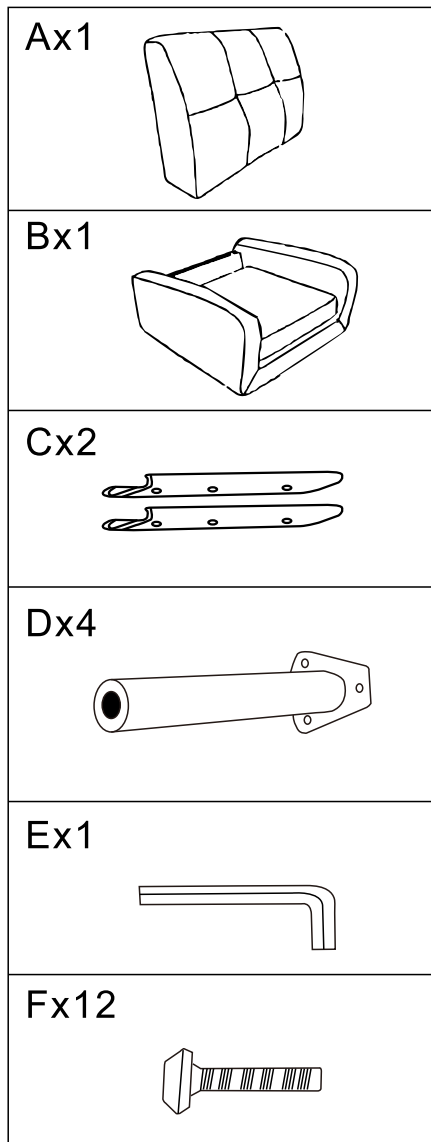


# ASSEMBLY INSTRUCTION

## TUB CHAIR



SELLER CONTACT INFORMATION: [contacts@ihomdec.com](mailto:contacts@ihomdec.com)