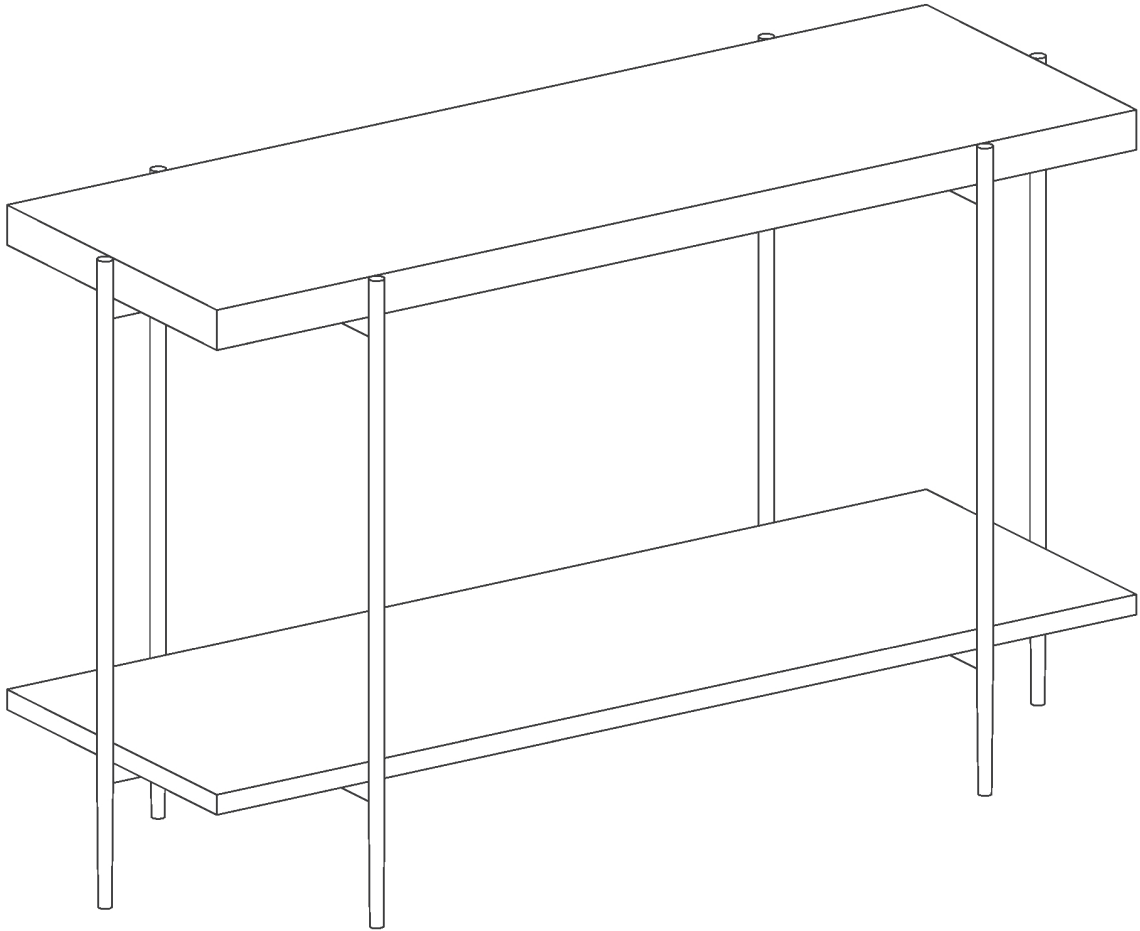


**IHOMDEC**  
**Assembly Instruction**  
**SOFA TABLE**  
**SKU:IHD-ST03-FB**



---

**Customer Service Before Return**

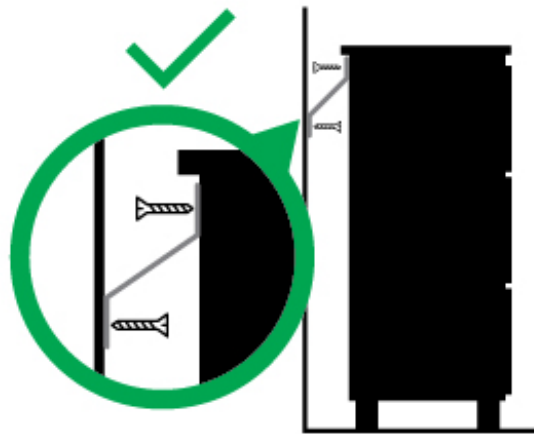
If part is missing or damaged, or you need help with assembly, please do not hesitate to contact us.

**SELLER CONTACT INFORMATION:**  
**contacts@ihomdec.com**

**IHD25-HY-33**



# **WARNING**



## **Children have died from furniture tipover.**

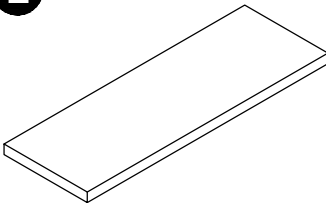
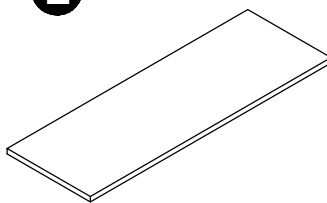
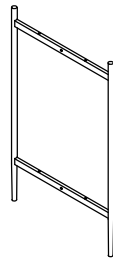

- ALWAYS secure this furniture with an anchor device.
- NEVER allow children to stand, climb or hang on drawers, doors, or shelves.

# Before Assembly



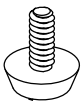
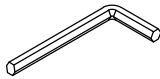


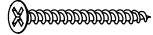
## IMPORTANT NOTE:

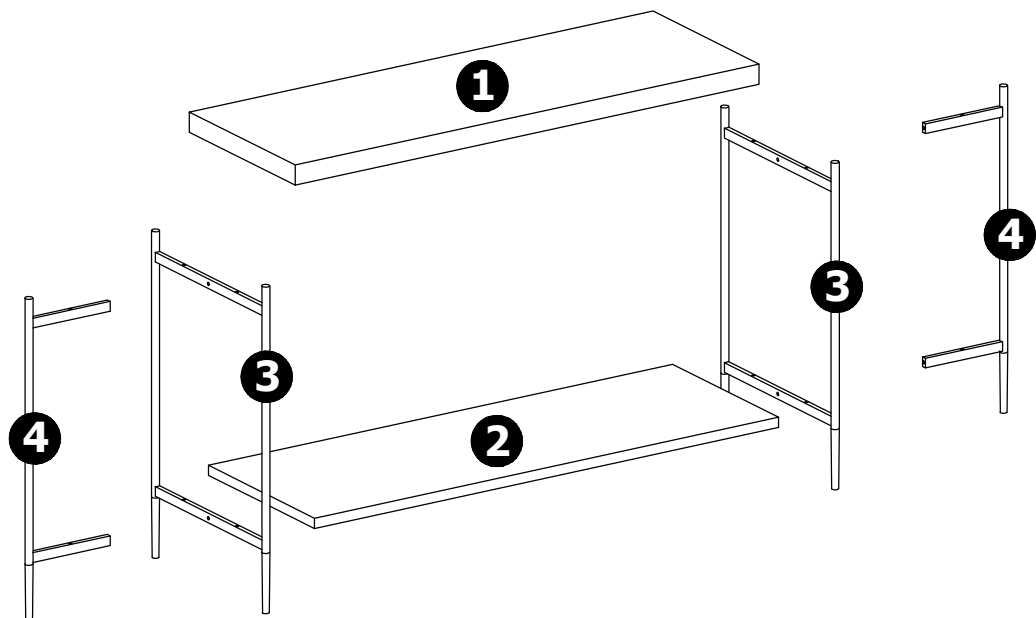
- Make sure all parts and hardware are included and free of obvious Defect before disposing of any packaging.
- Place all wooden parts on a clean and smooth surface such as a rug or carpet to avoid the parts from being scratched.
- DO NOT tighten all screws and bolts until completely assembled.
- Assembly will require two people.

## PART LIST

|  |   |  |   |
|--|---|--|---|
| <b>1</b><br> | <b>2</b><br> | <b>3</b><br> | <b>4</b><br> |
| <b>1 PC</b>  | <b>1 PC</b>   | <b>3 PCS</b>   | <b>1 PC</b>   |

## HARDWARE LIST

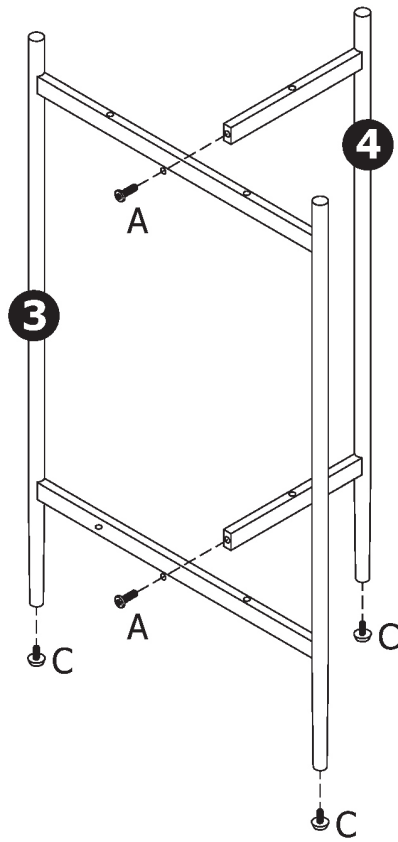
|  |  |  |   |
|--|--|--|---|
| <b>A</b><br><br>M6X30mm | <b>B</b><br><br>M6X35mm | <b>C</b><br> | <b>D</b><br> |
| <b>4 PCS</b>   | <b>12 PCS</b>  | <b>6 PCS</b>   | <b>1 PC</b>   |
| <b>E</b><br>            | <b>F</b><br>            | <b>G</b><br> |   |
| <b>2 PCS</b>   | <b>2 PCS</b>   | <b>2 PCS</b>   |   |



**NOTED:**

Do not fully tighten all bolts until all parts are in place. Failure to follow these instructions may cause the bolt to misalign during assembly.

**Step 1**

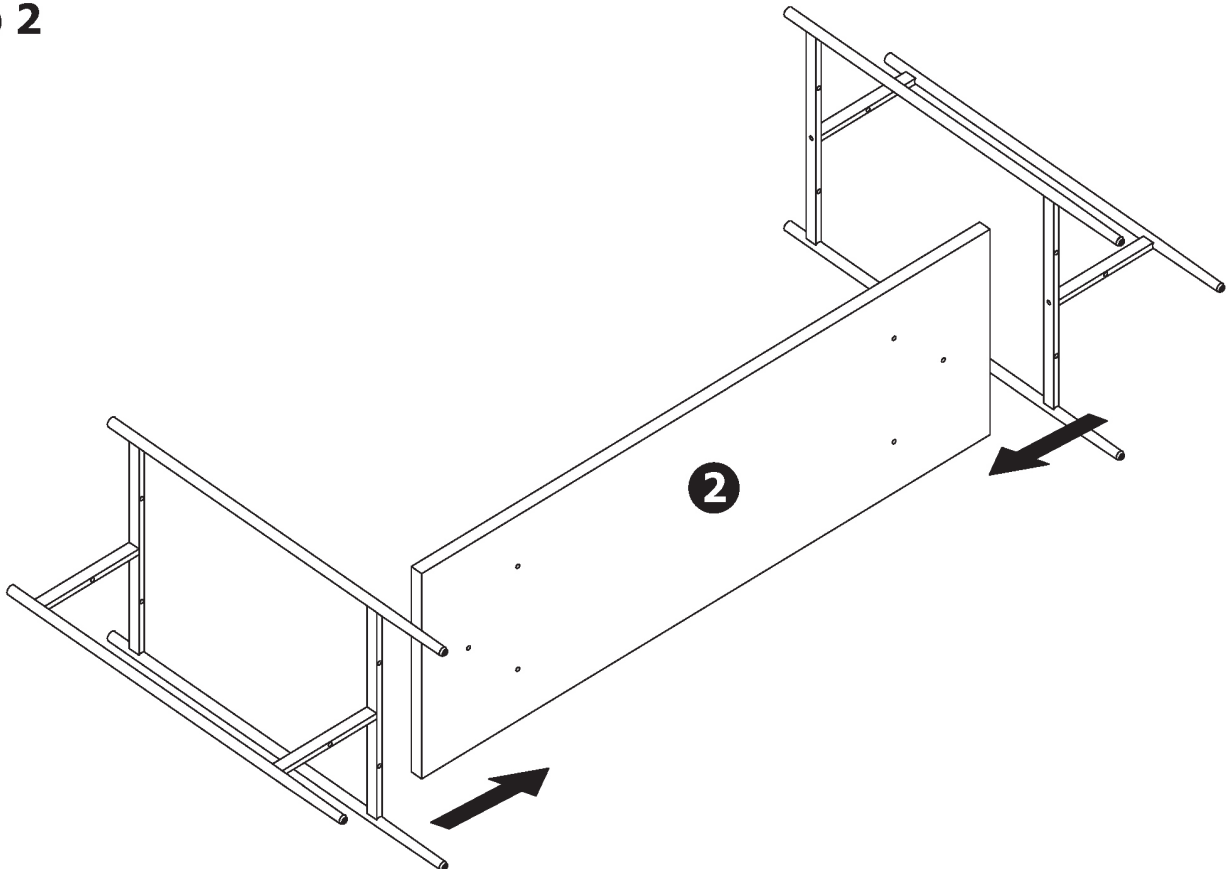


x 2

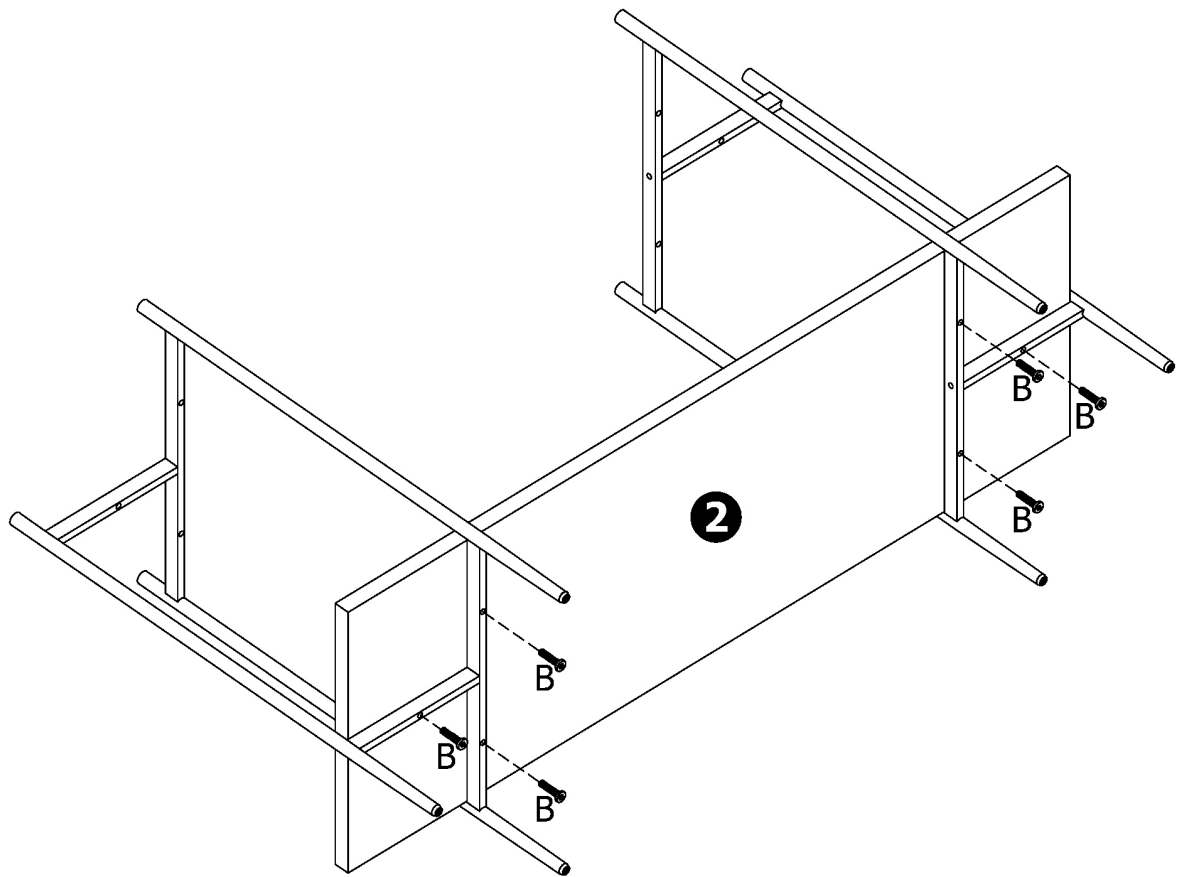
A X 2 PCS

C X 3 PCS

**Step 2**

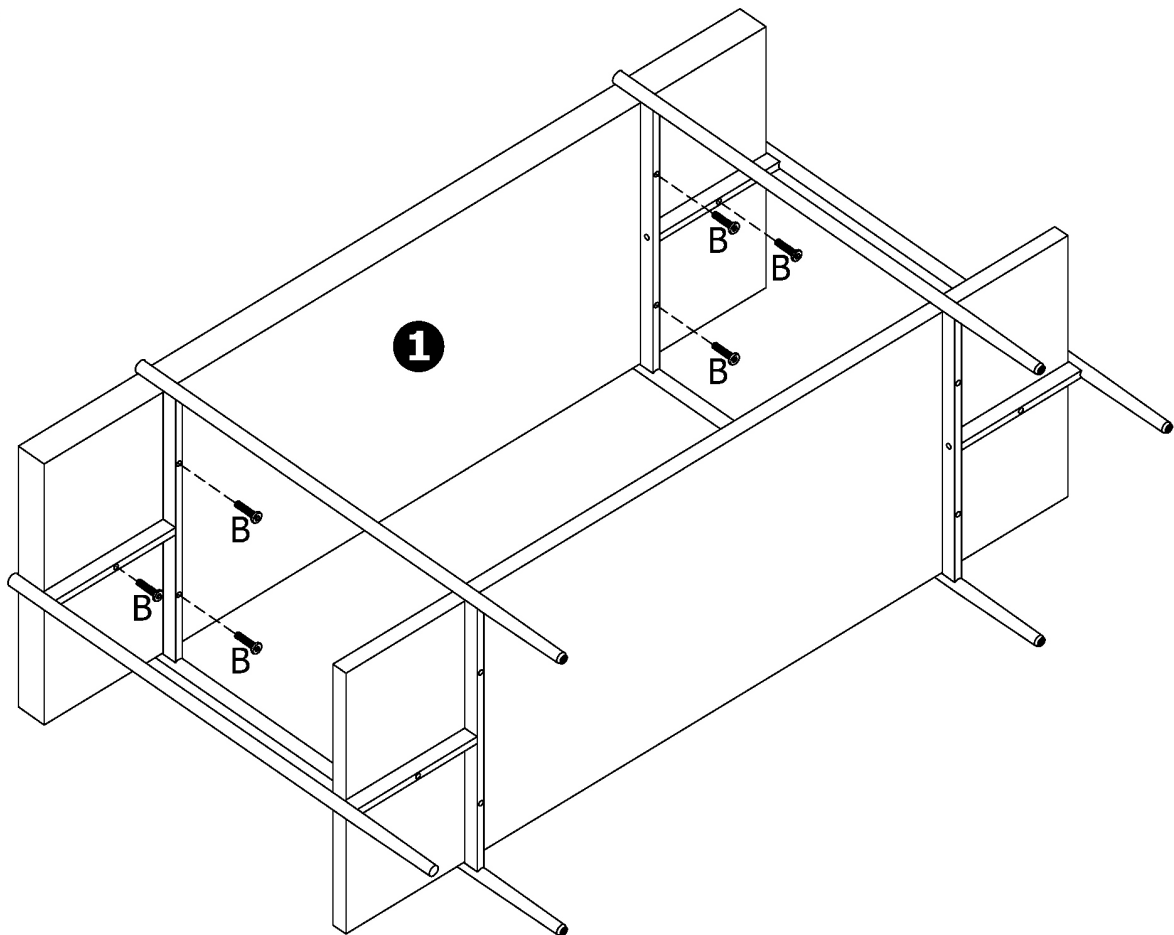


### Step 3



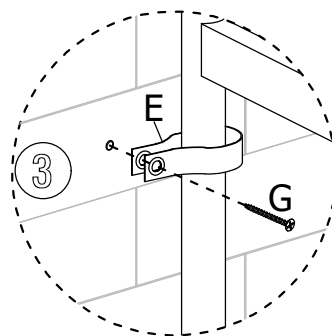
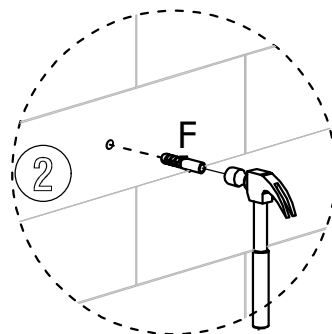
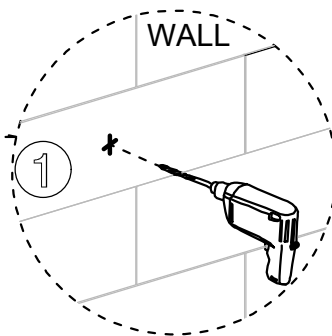
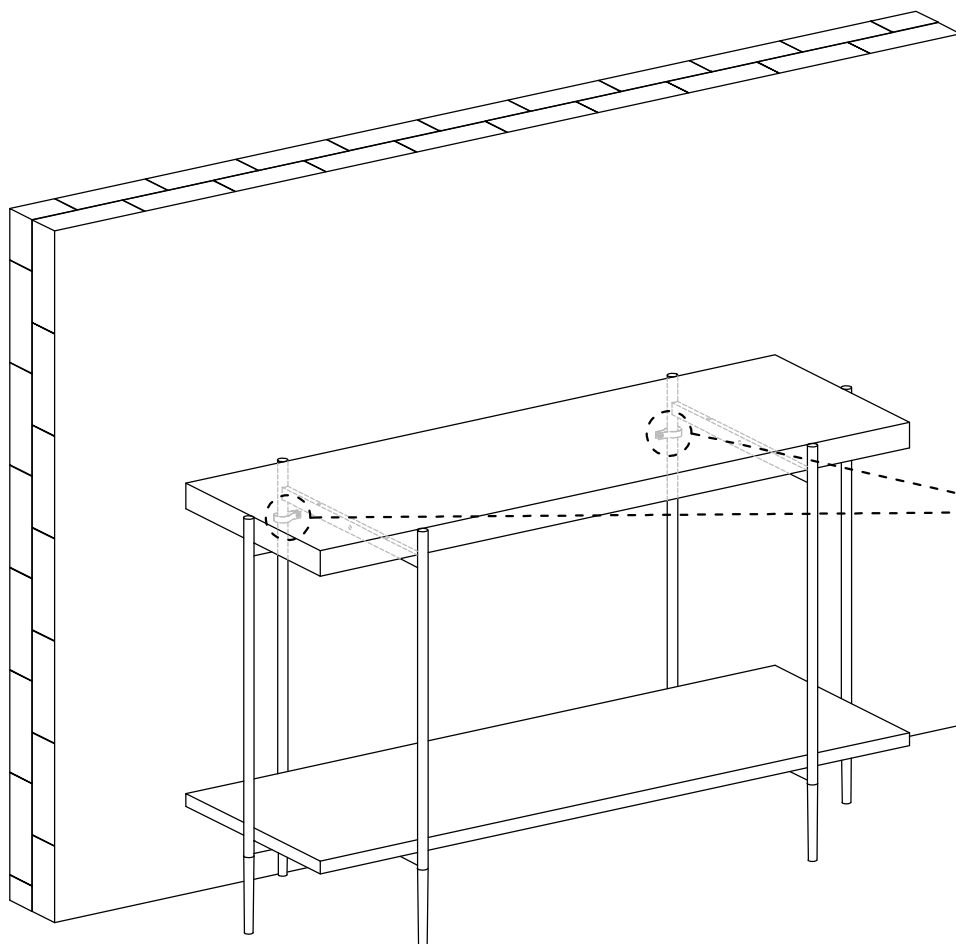
B X 6 PCS

### Step 4



B X 6 PCS

# Step 5



E X 2 PCS

F X 2 PCS

G X 2 PCS