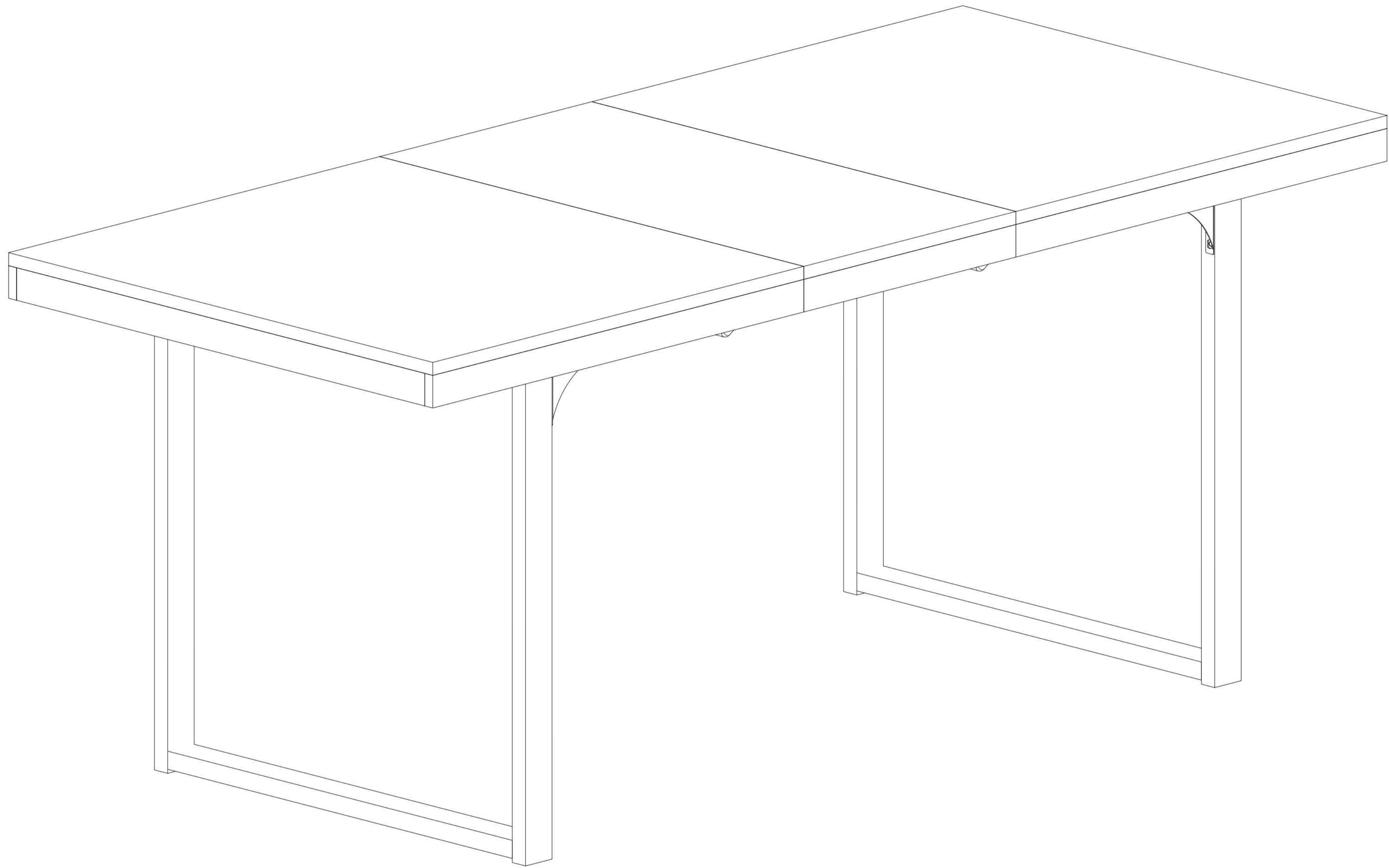


Assembly instruction

Dining Table

SKU:IHD-DT02



Customer Service Before Return:

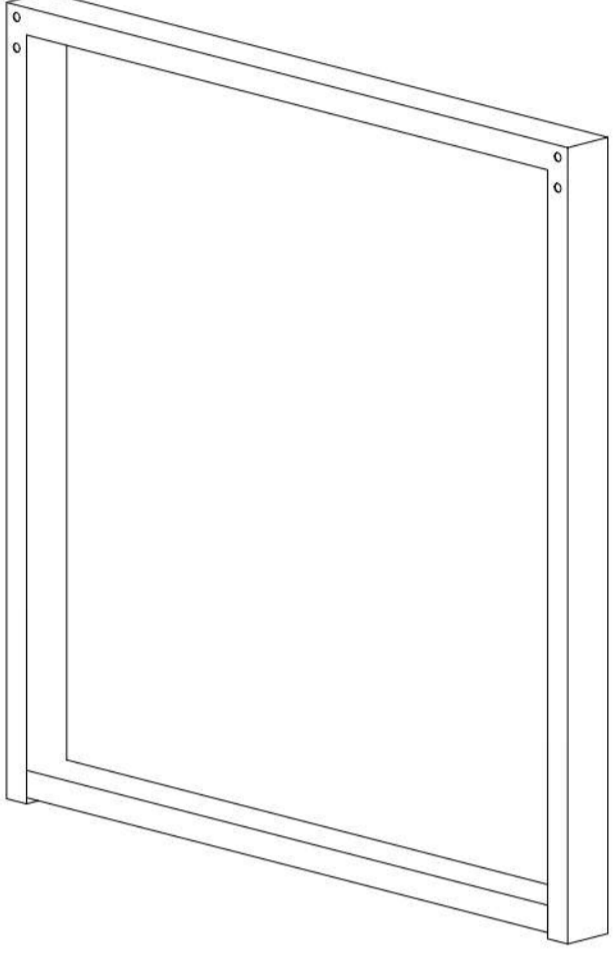
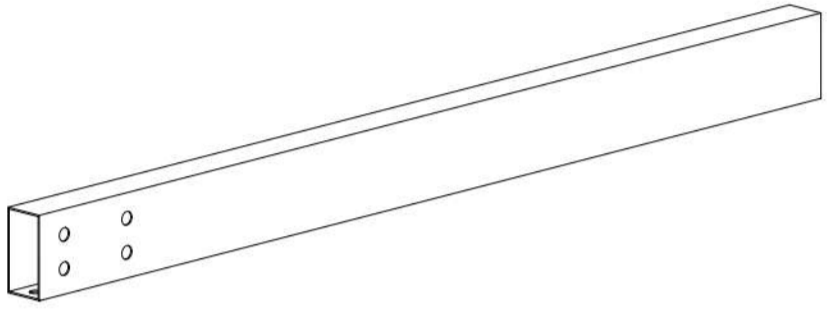
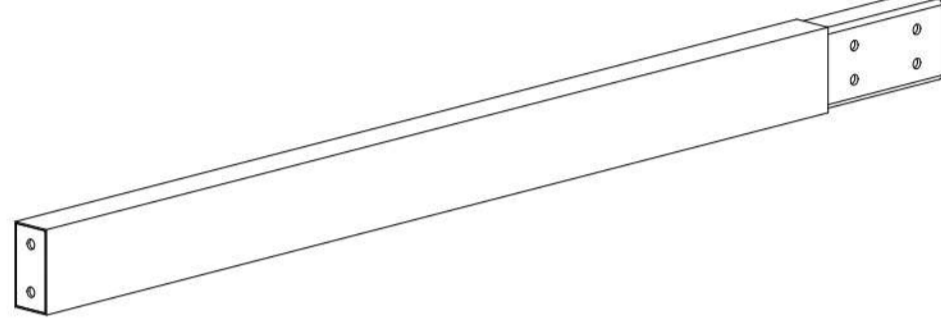
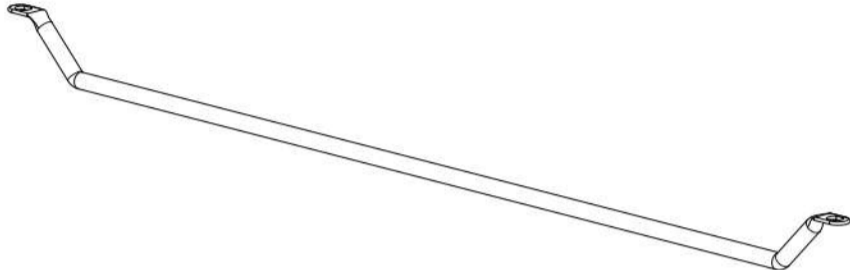
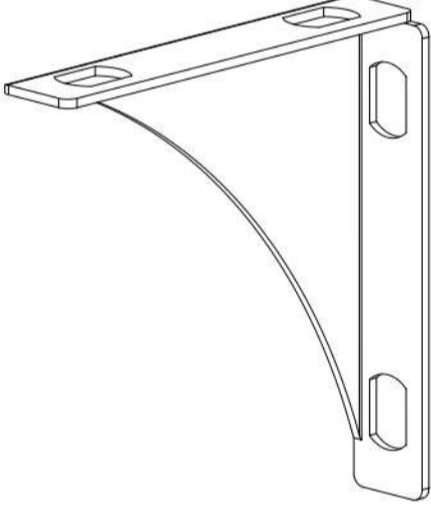
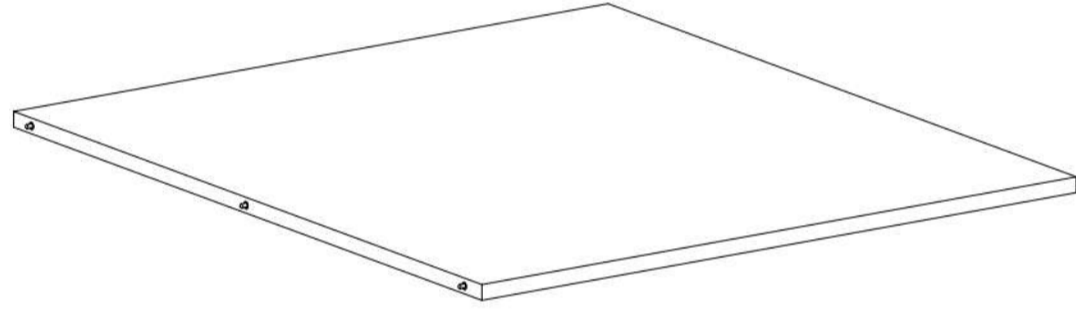
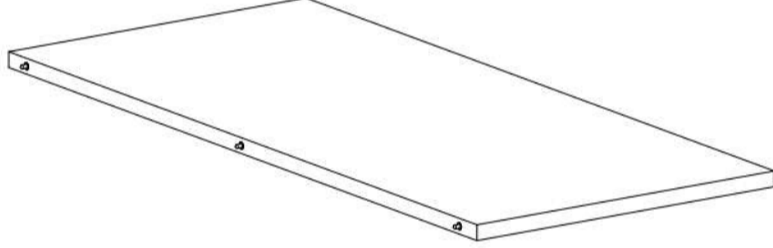
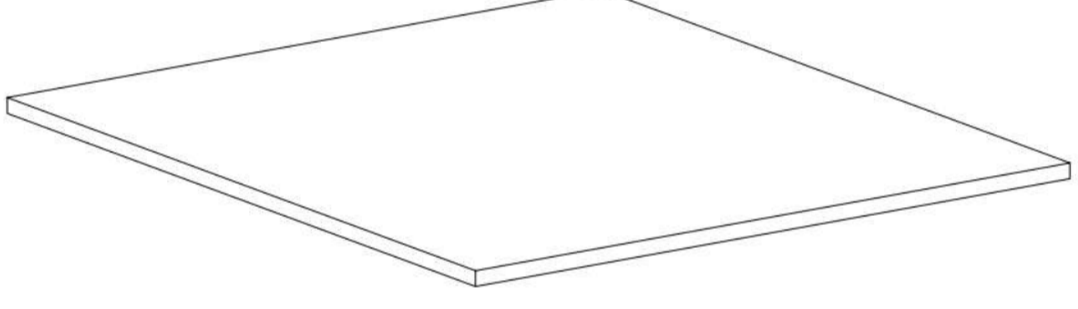
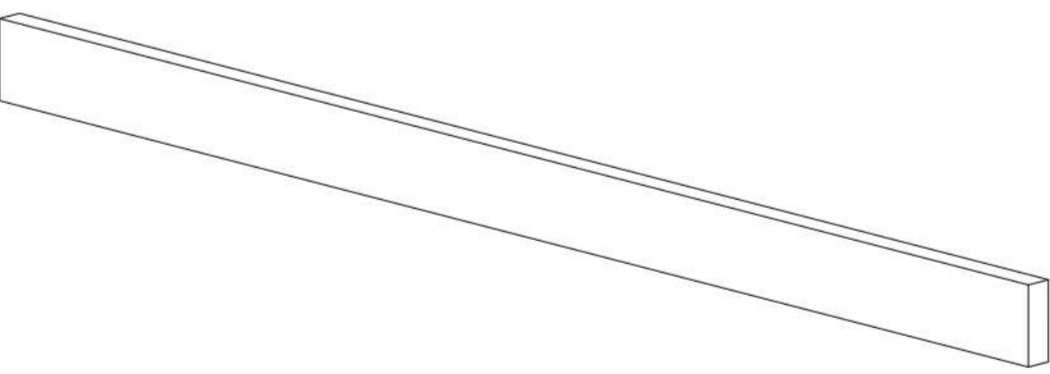
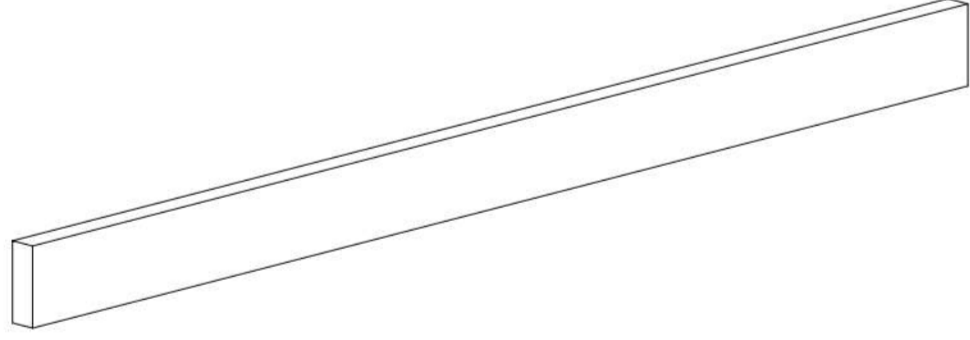
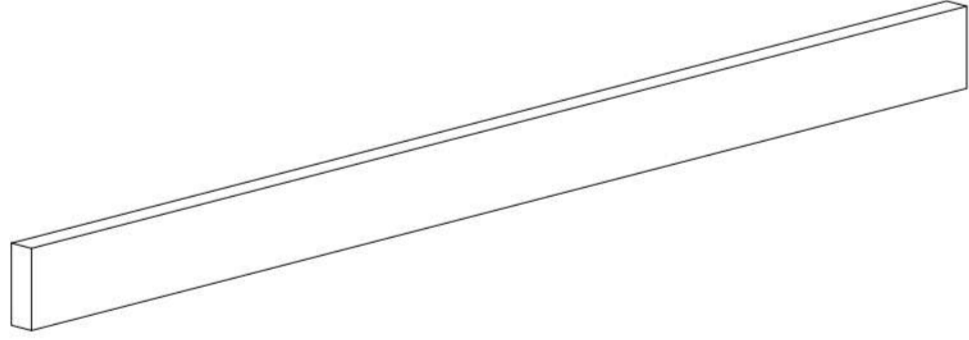
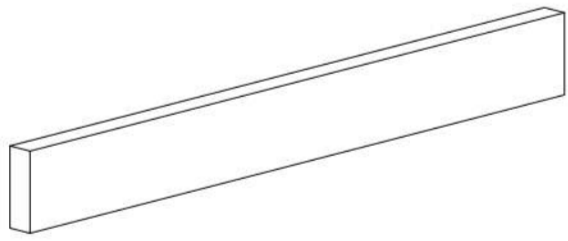
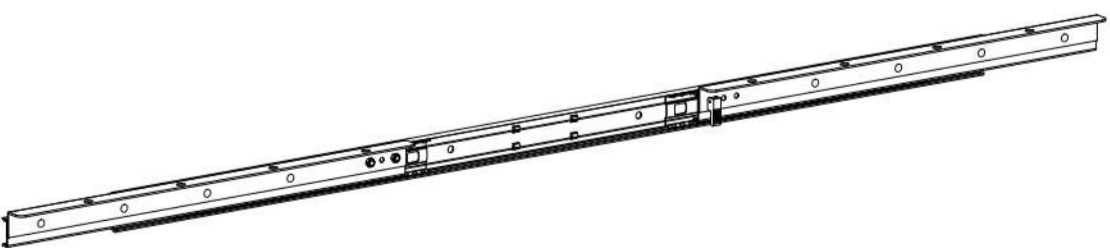
If part is missing or damaged, or you need help with assembly,
Please do not hesitate to contact us.

Before Assembly

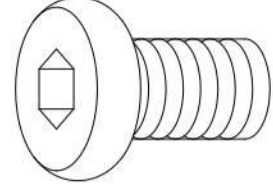
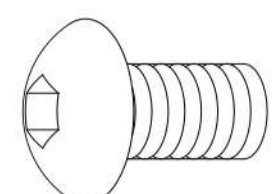
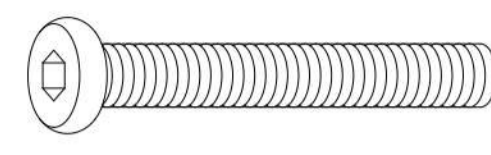
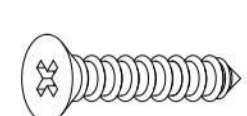
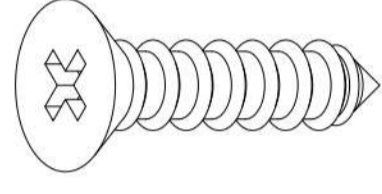
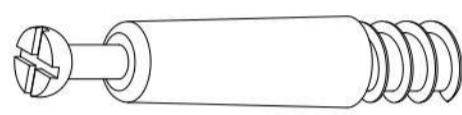

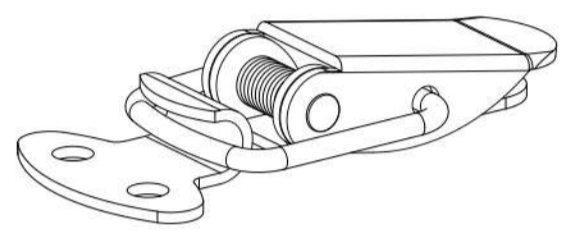
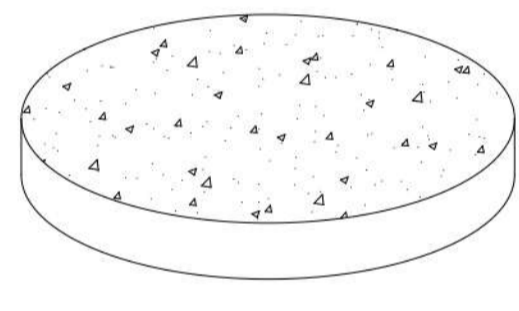
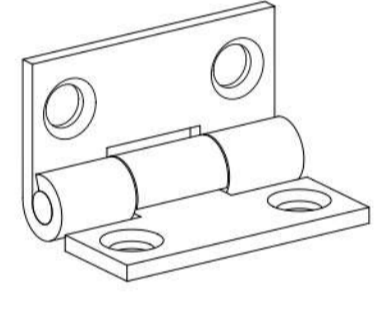
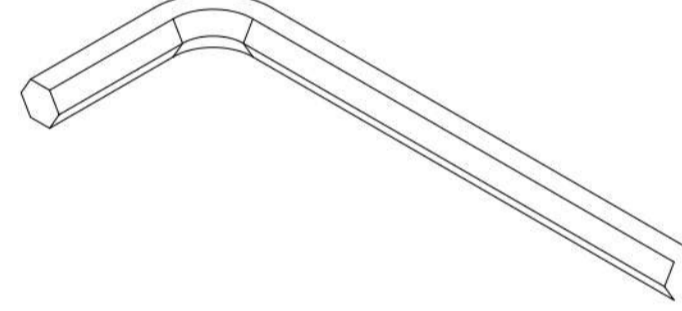
IMPORTANT NOTE:

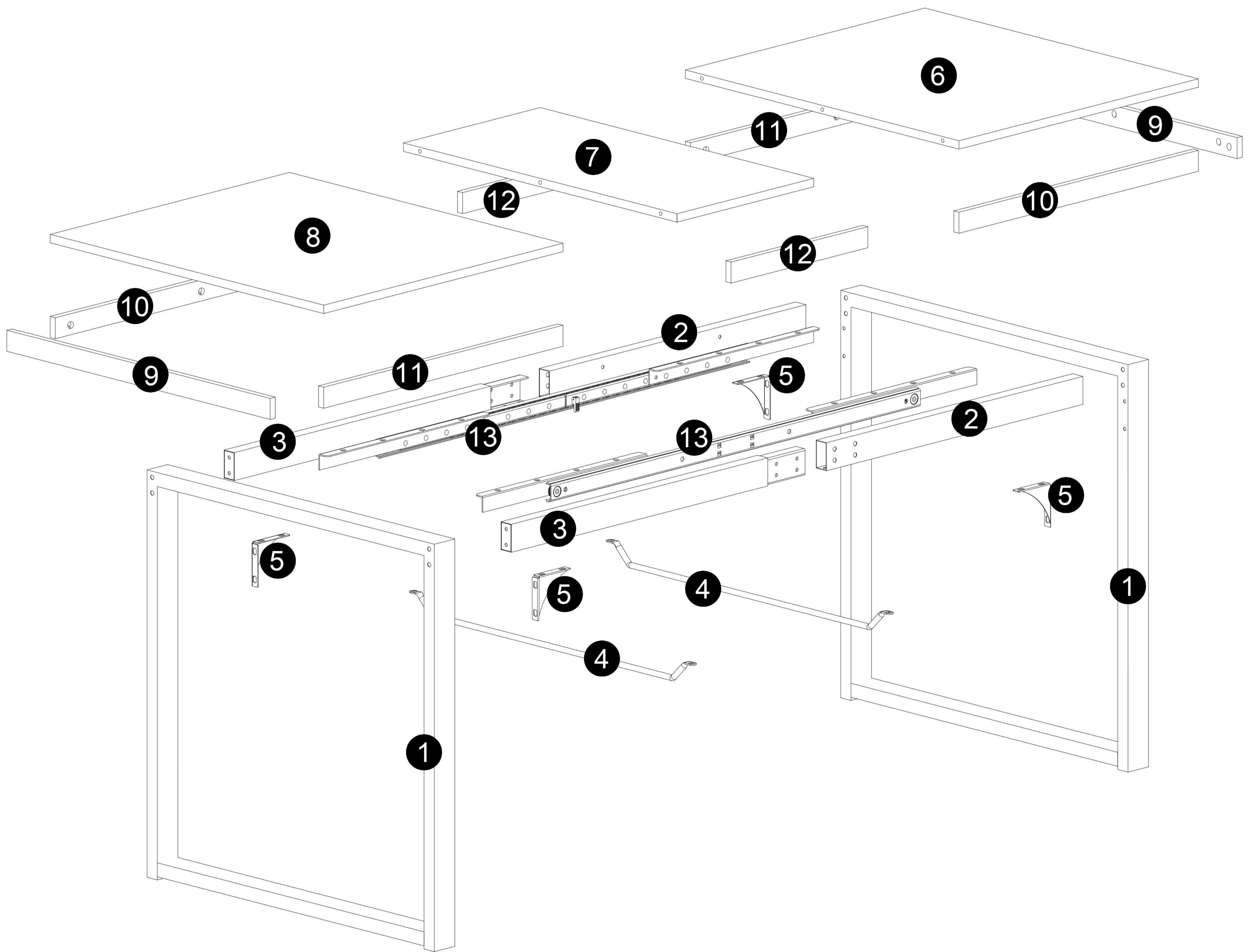
- Make sure parts hardware are included and free of obvious defect before disposing of any packaging
- Place all wooden parts on a clean and smooth surface such as a rug or carpet to avoid the parts from being scratched.
- DO NOT tighten all screws and bolts until completely assembled.
- Assembly will require two people.

PART LIST

1 	2 	3 	4 
2PCS	2PCS	2PCS	2PCS
5 	6 	7 	8 
4PCS	1PC	1PC	1PC
9 	10 	11 	12 
2PCS	2PCS	2PCS	2PCS
13 			
2PCS			

HARDWARE LIST

<p>A</p>  <p>M6 x 12mm</p>	<p>B</p>  <p>M6 x 12mm</p>	<p>C</p>  <p>M6 x 70mm</p>	<p>D</p>  <p>Ø3 x 14mm</p>
<p>42PCS</p>	<p>16PCS</p>	<p>8PCS</p>	<p>16PCS</p>
<p>E</p>  <p>Ø4 x 14mm</p>	<p>F</p>  <p>Ø6x35mm</p>	<p>G</p>  <p>Ø15</p>	<p>H</p> 
<p>16PCS</p>	<p>22PCS</p>	<p>22PCS</p>	<p>4PCS</p>
<p>J</p>  <p>Ø30</p>	<p>K</p> 	<p>L</p>  <p>4mm</p>	
<p>4PCS</p>	<p>4PCS</p>	<p>2PCS</p>	

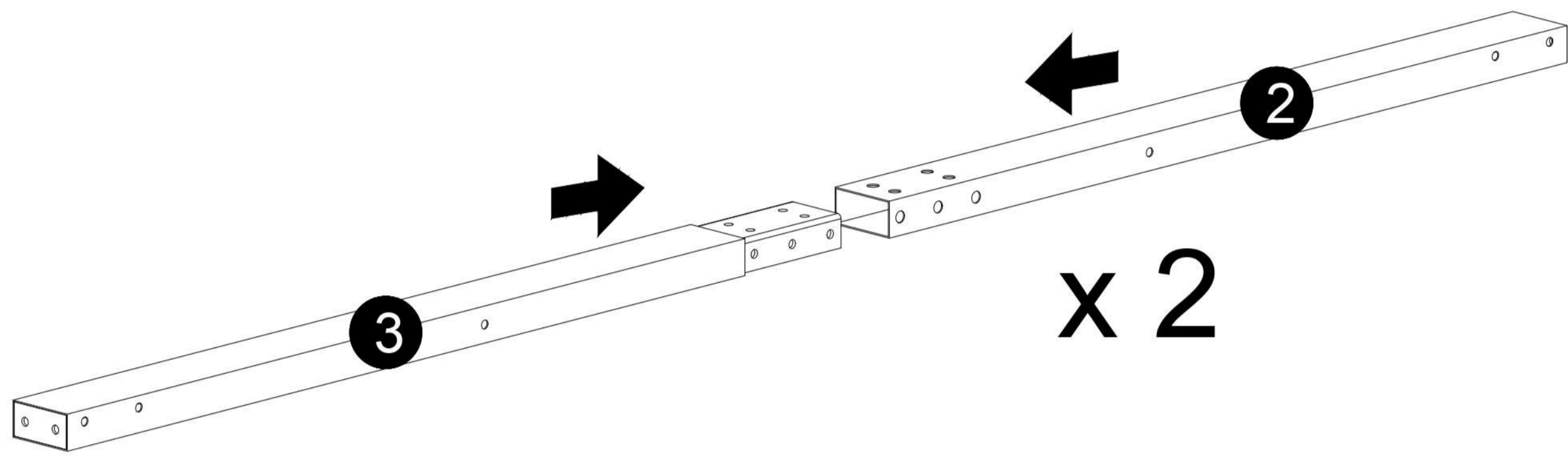


NOTED:

1. Do not fully tighten all bolts until all parts are in place. Failure to follow these instructions may cause the bolt to misalign during assembly.

2. To prevent injury and property damaged from unexpected tipping of furniture, we highly recommend installation of the anti-tip kit included with this product.

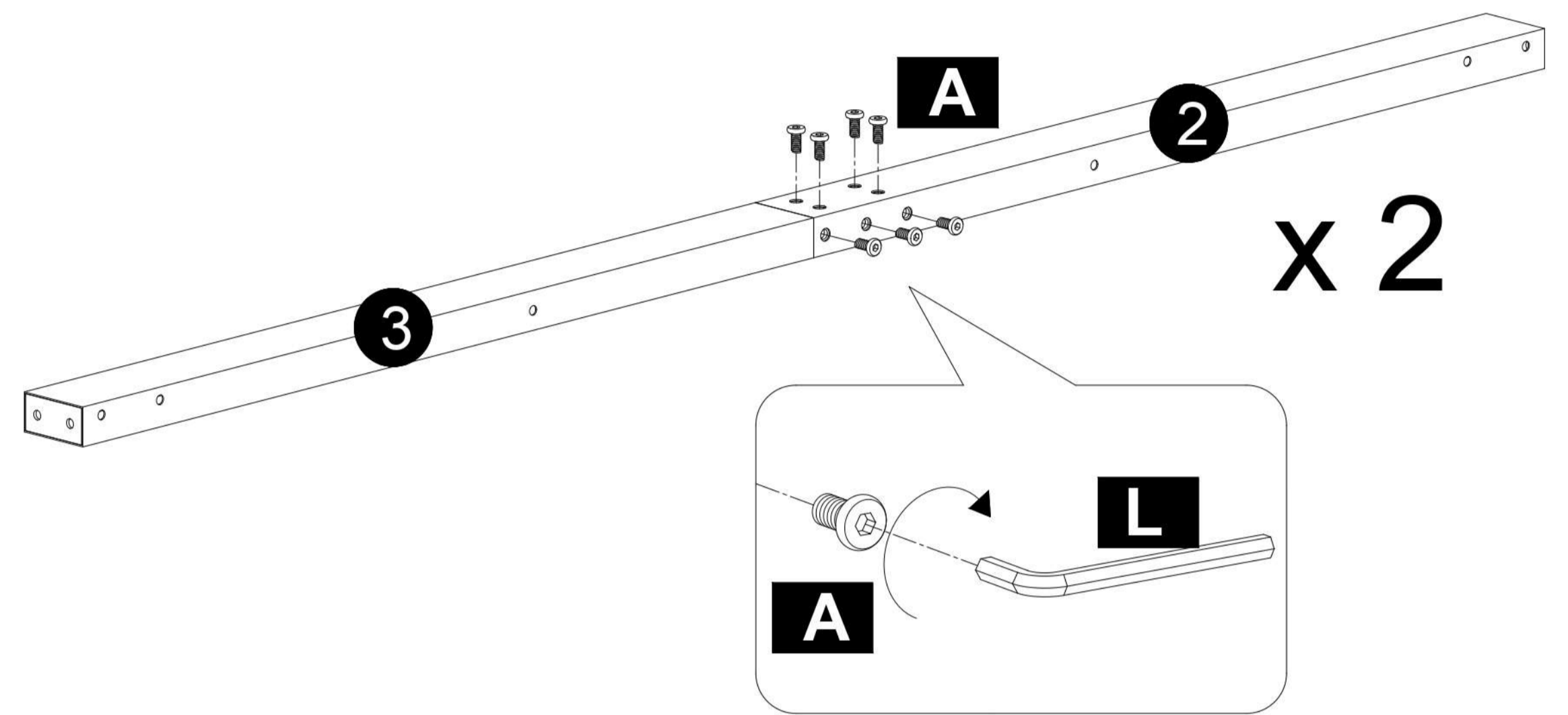
Step 1



Step 2

YOU WILL NEED

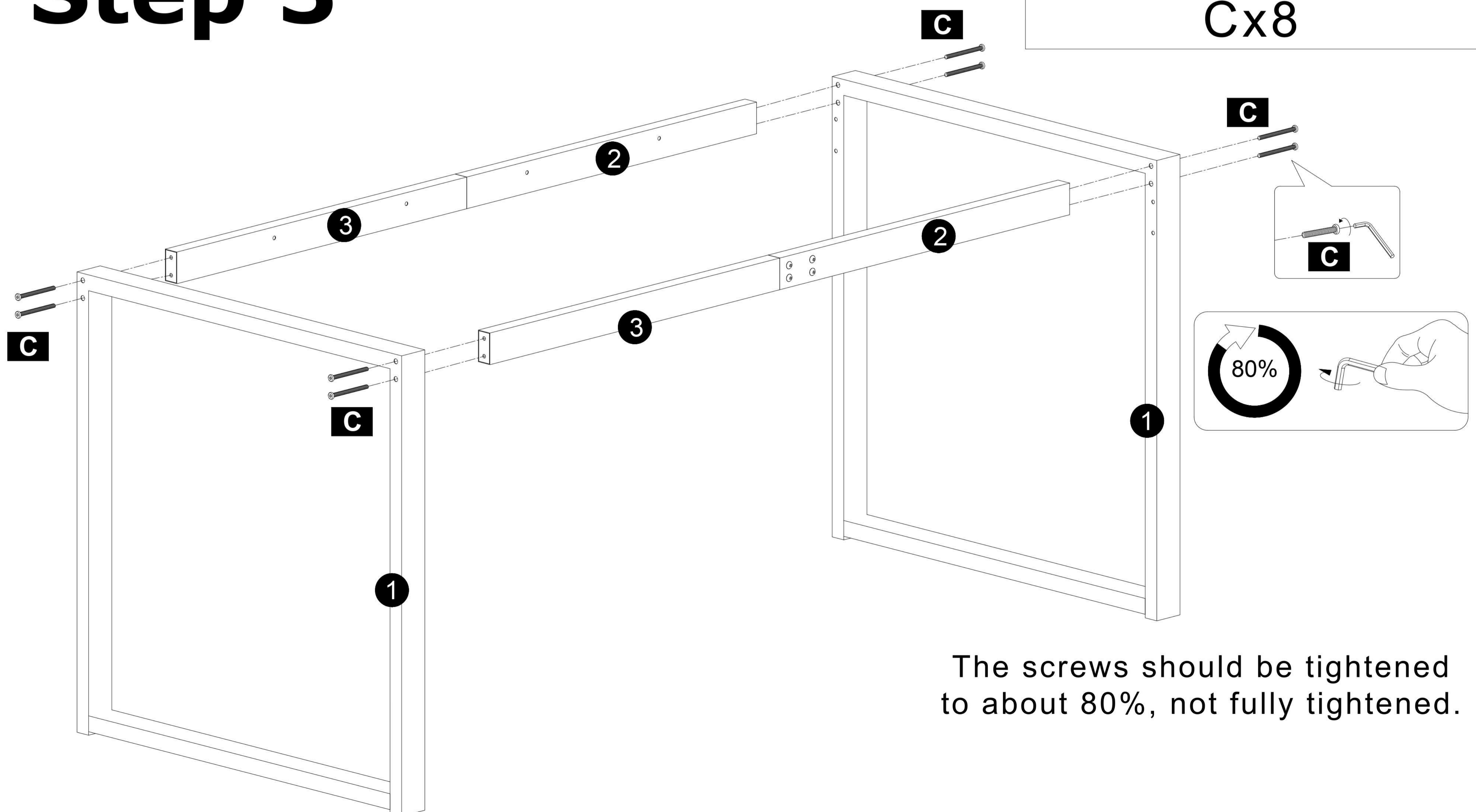
Ax14



Step 3

YOU WILL NEED

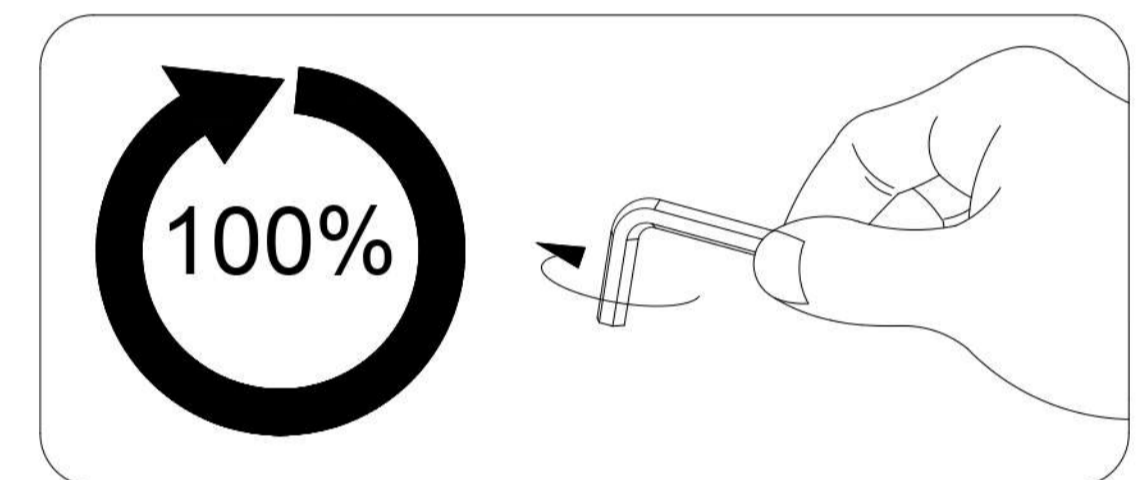
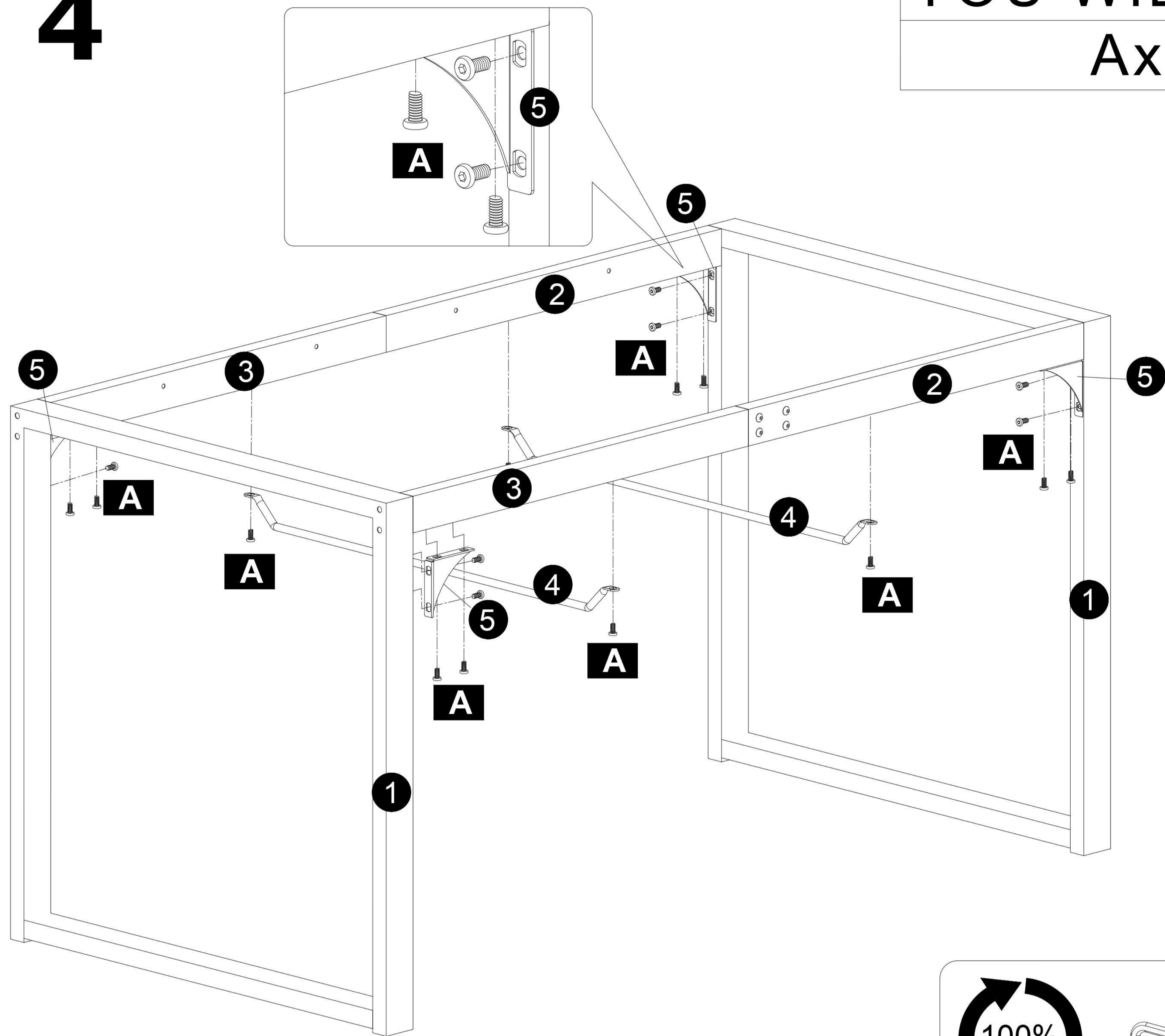
Cx8



The screws should be tightened to about 80%, not fully tightened.

Step 4

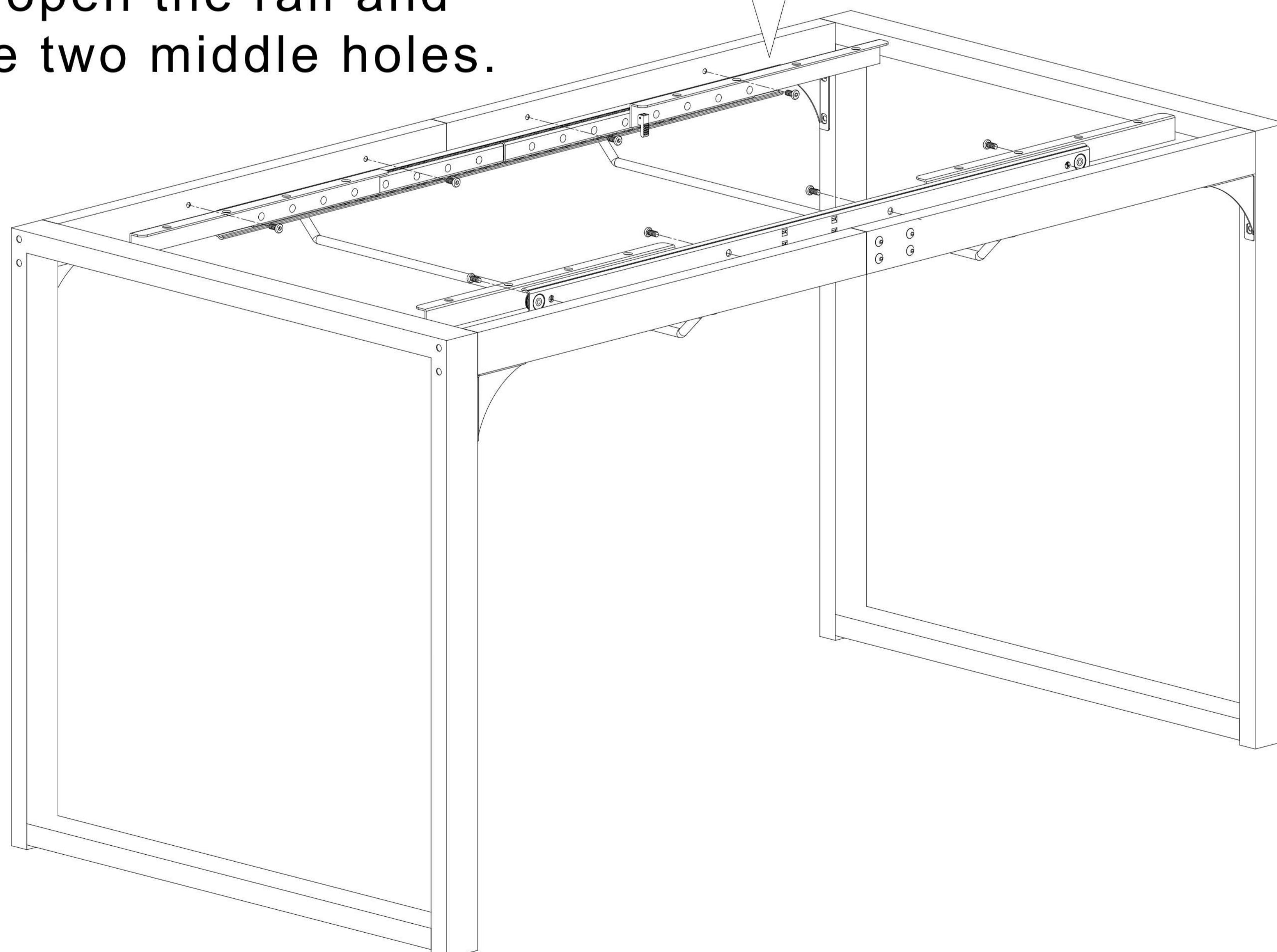
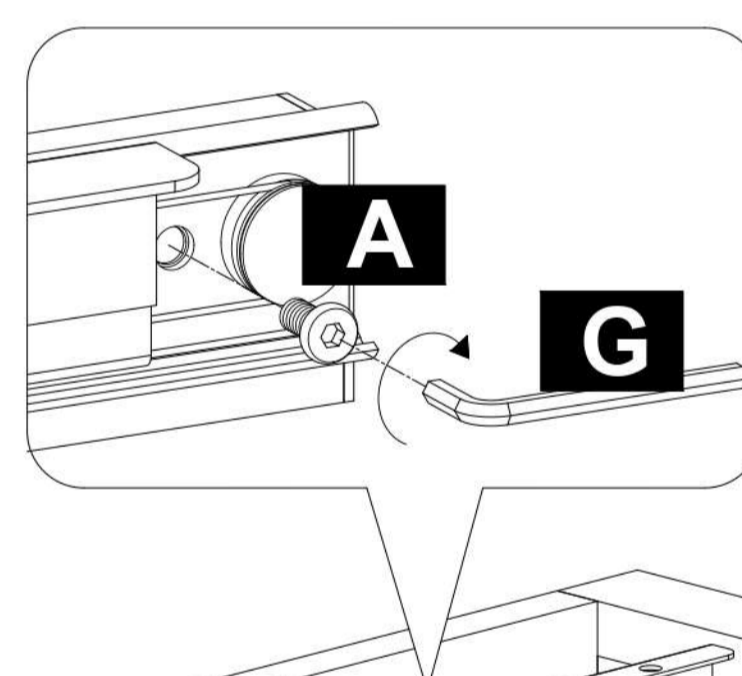
YOU WILL NEED
Ax20



Step 5

YOU WILL NEED
Ax8

First, secure the two side holes of the rail, then slide open the rail and lock the two middle holes.

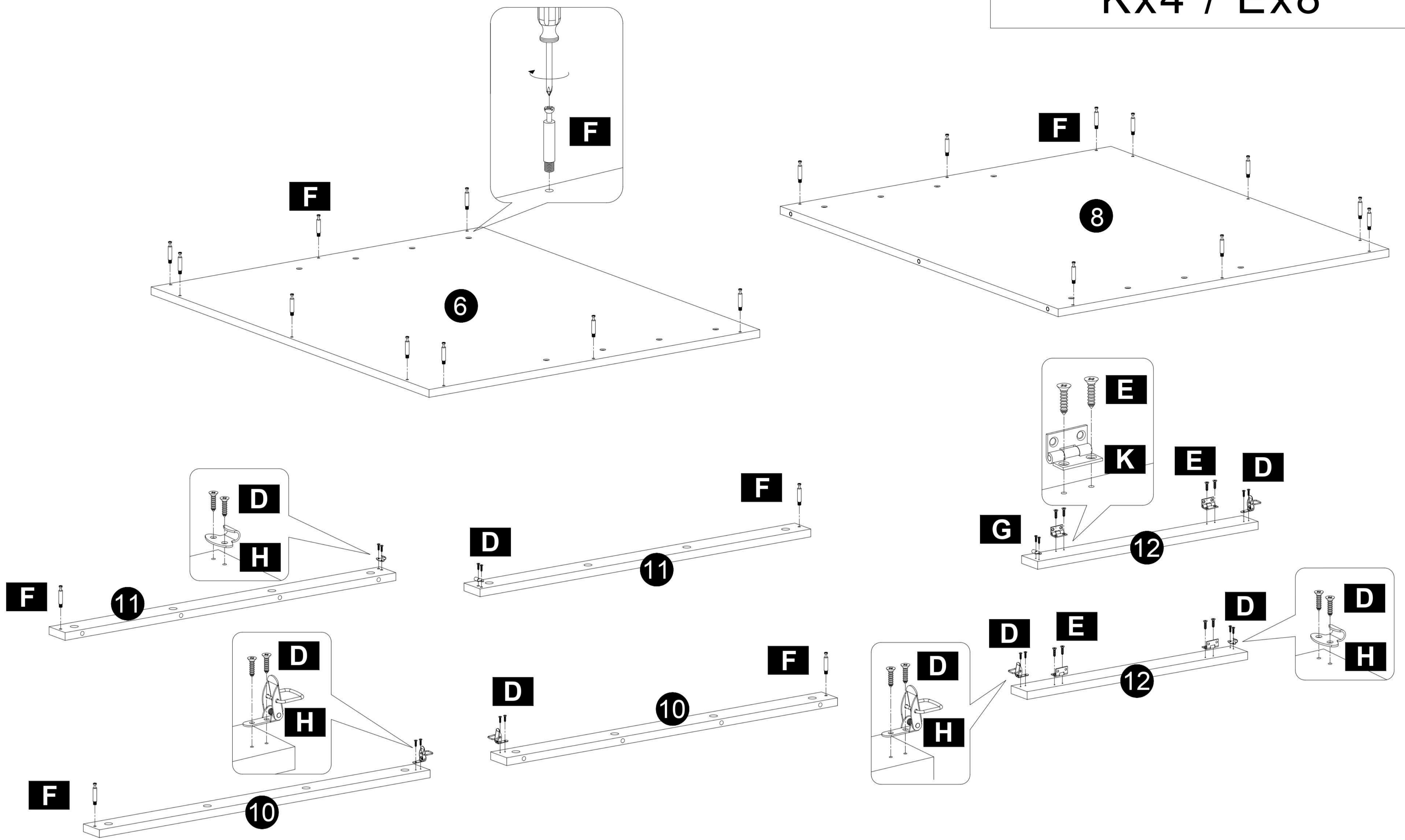


Step 6

YOU WILL NEED

Fx22 / Dx16 / Hx4

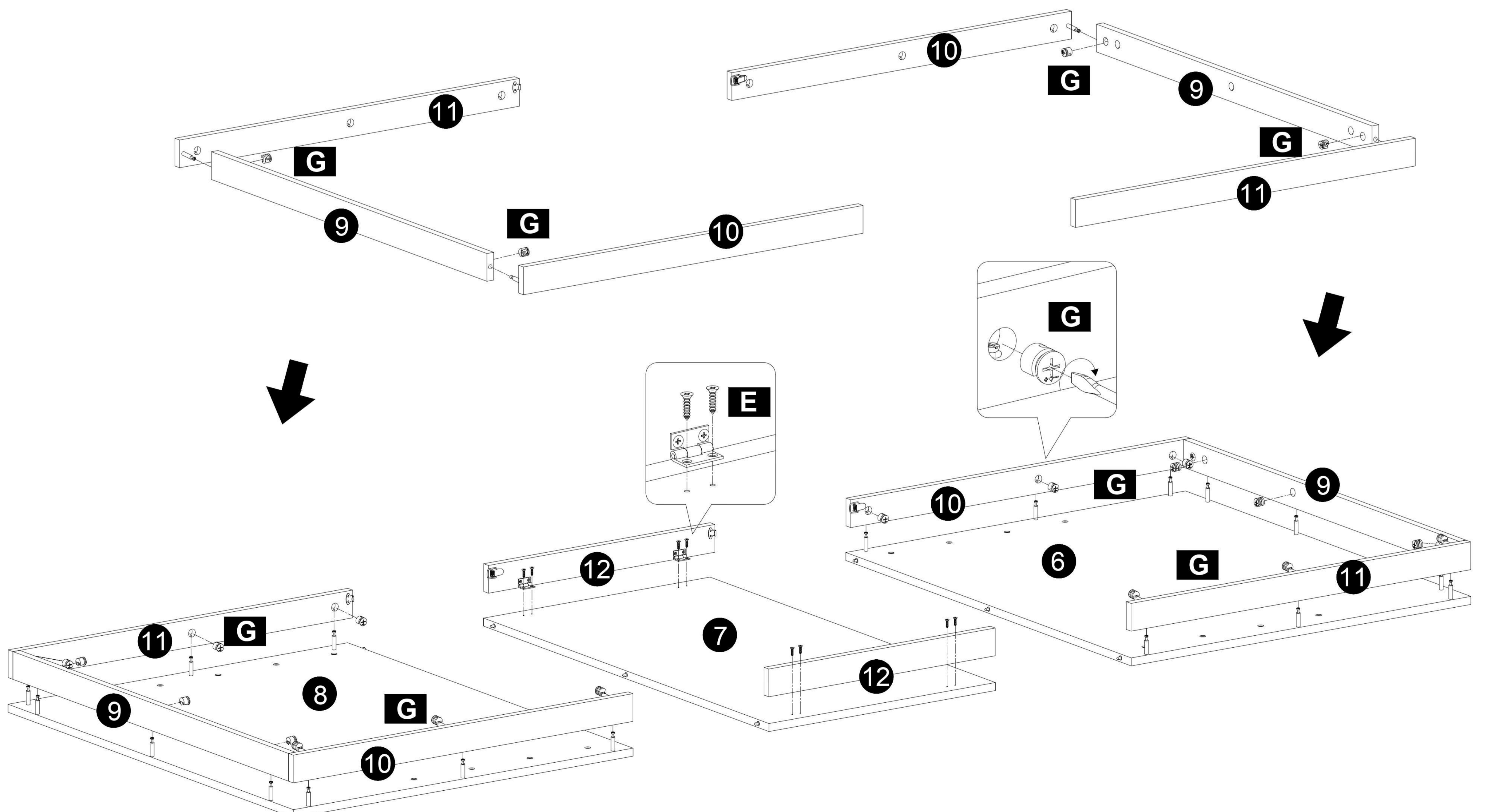
Kx4 / Ex8



Step 7

YOU WILL NEED

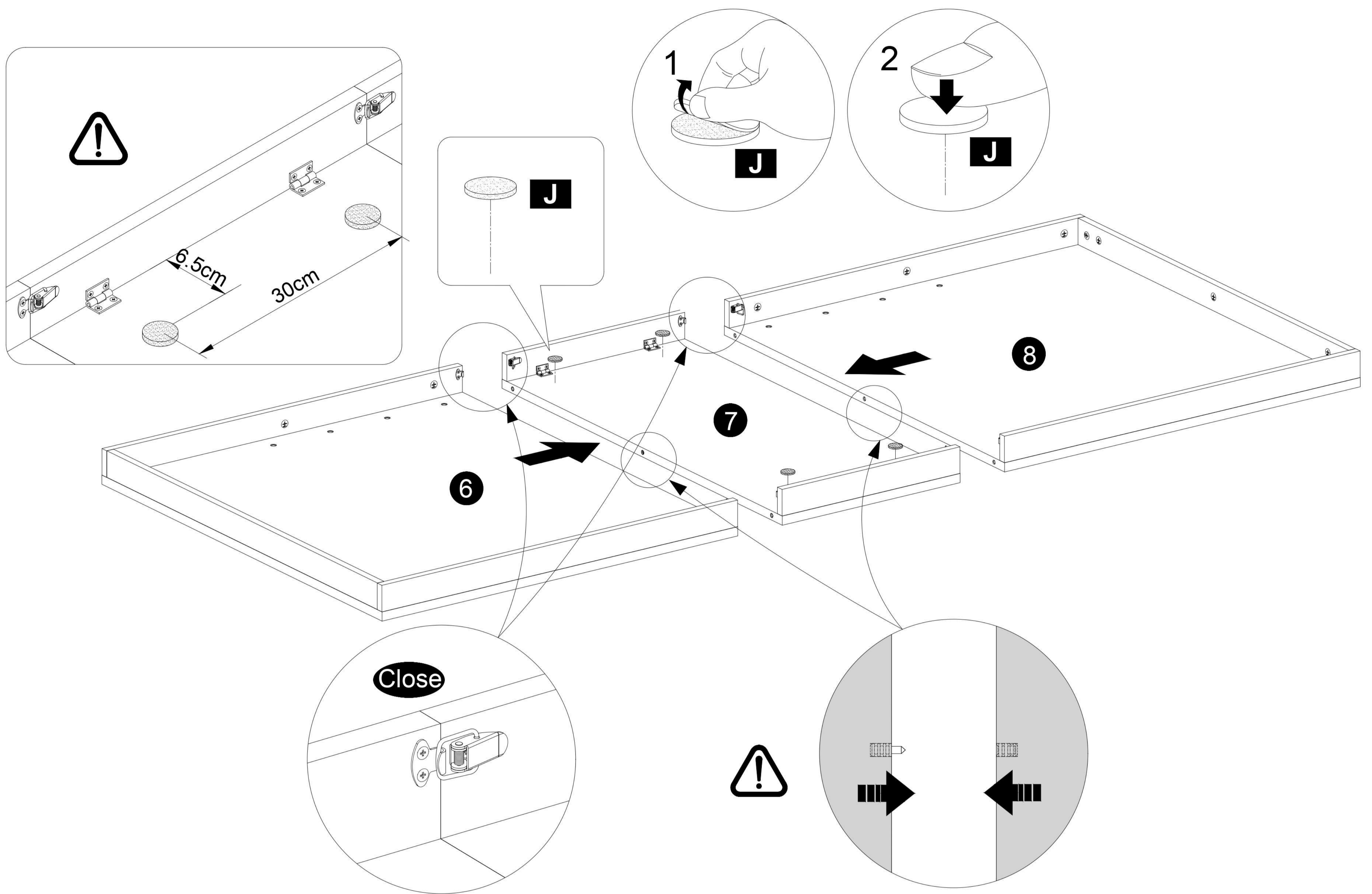
Ex8 / Gx22



Step 8

YOU WILL NEED

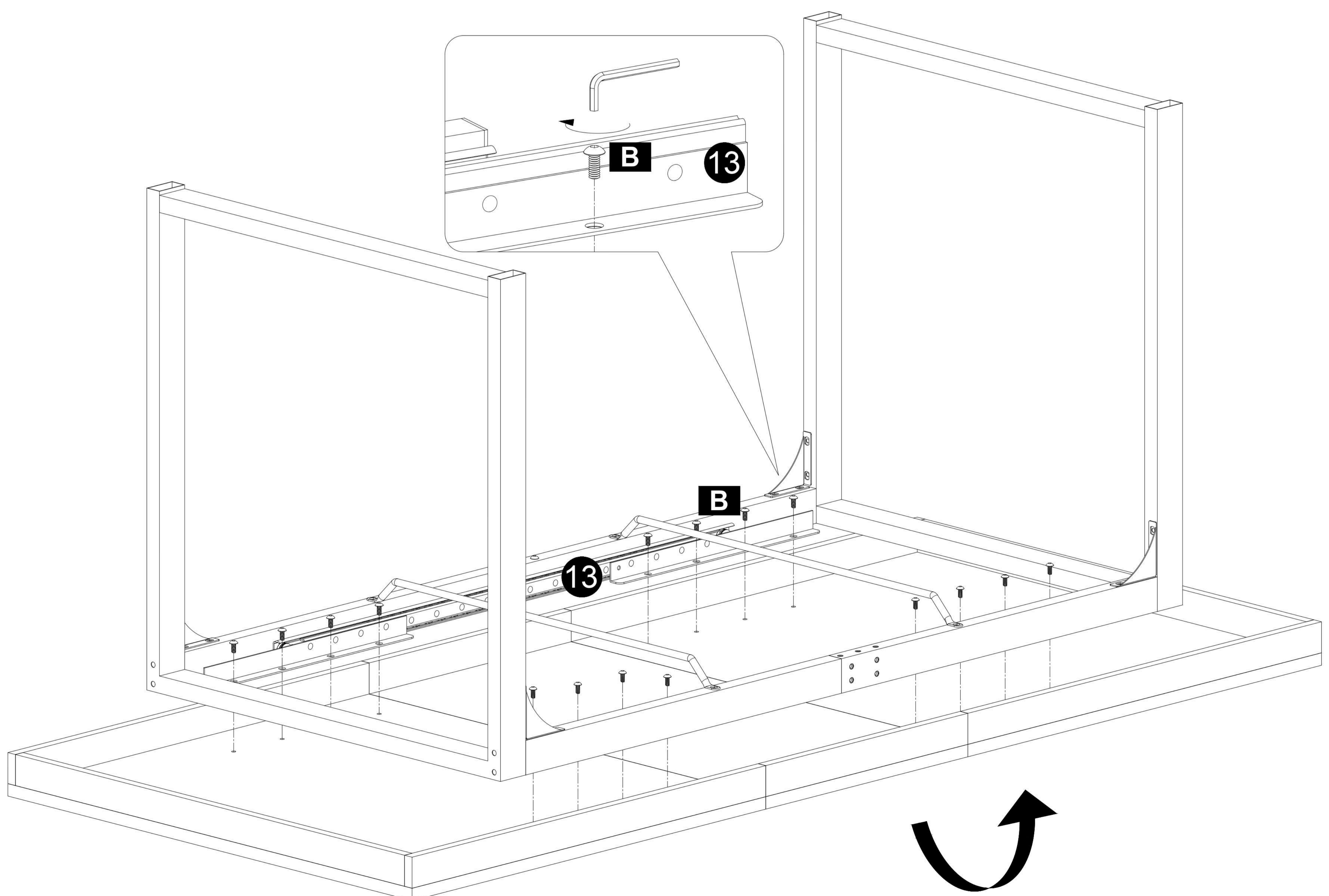
Jx4



Step 9

YOU WILL NEED

Bx16



Step 10

