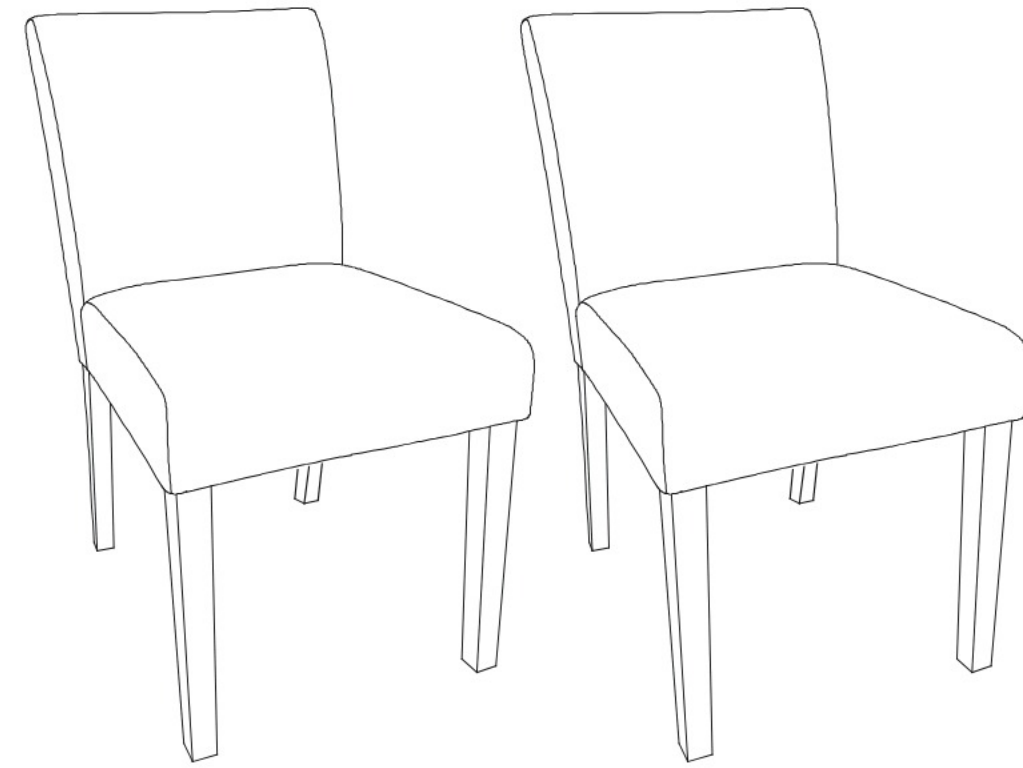


### Assembly Instruction

Dining Chair

SKU: IHD-JKDC04-OL



### Before Assembly

#### IMPORTANT NOTE:

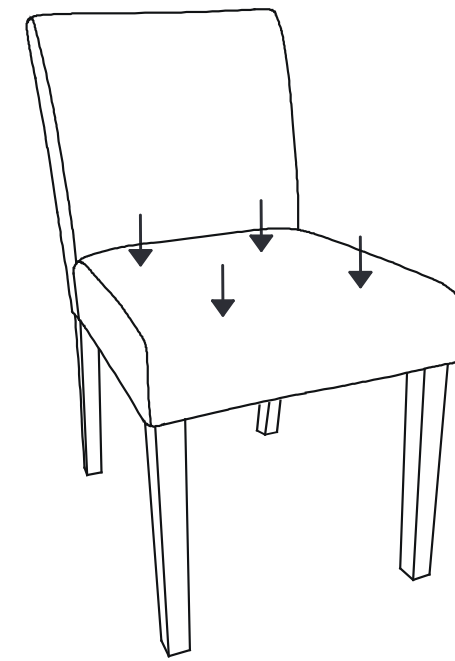
- Make sure all parts and hardware are included and free of obvious defect before disposing of any packaging
- Place all wooden parts on a clean and smooth surface such as a rug or carpet to avoid the parts from being scratched.
- DO NOT tighten all screws and bolts until completely assembled.
- Assembly will require two people.

#### PART LIST

A	B	C	D	E	F	G
			 M8x55MM	 M8x65MM	 M8x80MM	
1PC	1PC	2PC	1PC	4PC	4PC	9PC

#### HARDWARE LIST

H	I					
	 M8					
9PC	1PC					



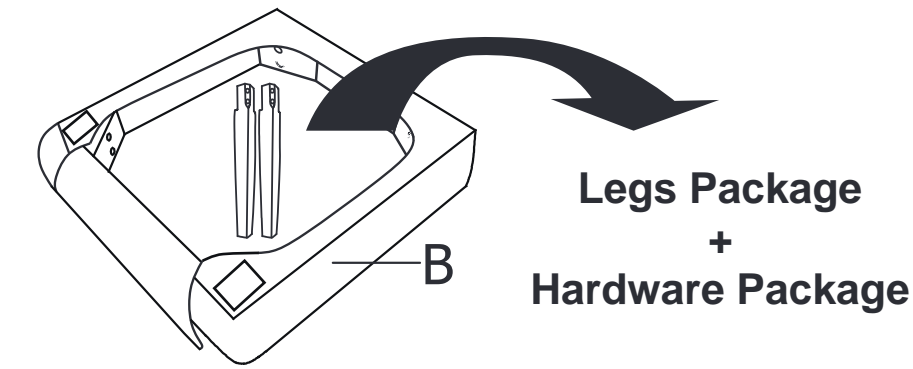
Note The chair's legs must be adjusted balance on a flat surface before tightening screws to 100%

#### NOTED:

1. Do not fully tighten all bolts until all parts are in place. Failure to follow these instructions may cause the bolt to misalign during assembly.
2. To prevent injury and property damaged from unexpected tipping of furniture, we highly recommend installation of the anti-tip kit included with this product.

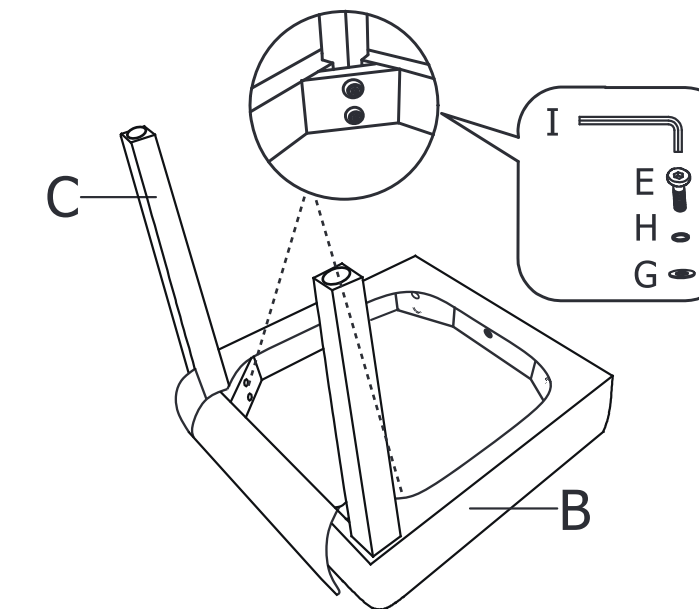
### Assembly Instruction

#### Step 1



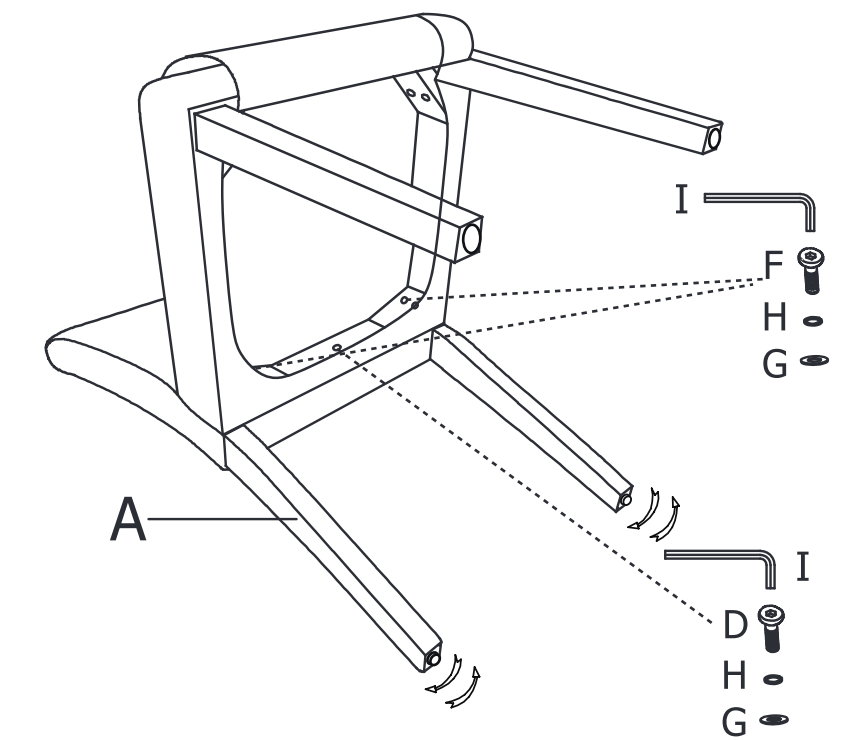
Open the zipper on non-woven cover underneath the seat, then take out the legs and hardware pack.

#### Step 2



### Assembly Instruction

#### Step 3



The height can be adjusted by back leg nails.

#### NOTED:

1. Do not fully tighten all bolts until all parts are in place. Failure to follow these instructions may cause the bolt to misalign during assembly.
2. To prevent injury and property damaged from unexpected tipping of furniture, we highly recommend installation of the anti-tip kit included with this product.