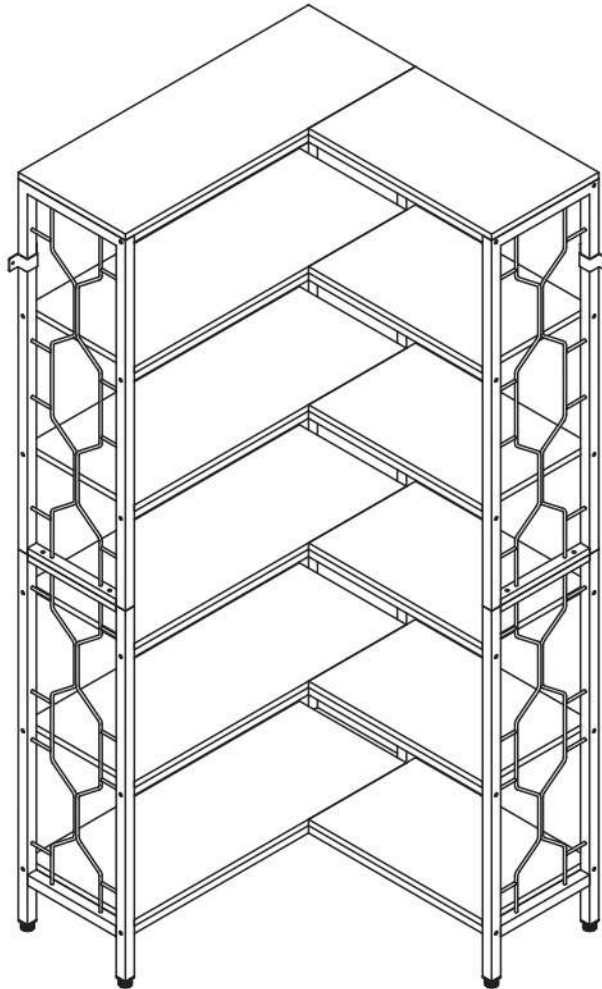
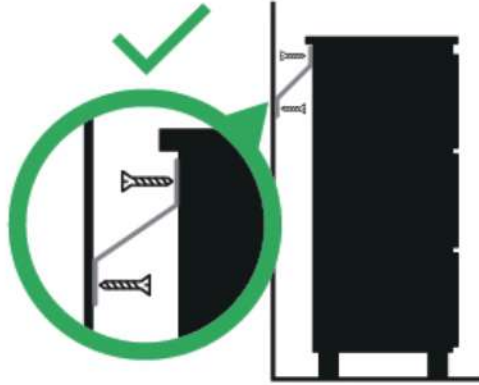


Assembly Instruction
6-Tier Corner Bookcase
IHD-BS13-6FB



WARNING



Children have died from furniture tipover.

- ALWAYS secure this furniture with an anchor device.
- NEVER allow children to stand, climb or hang on drawers, doors, or shelves.
- NEVER open more than one drawer at a time.
- Place heavy items down low.

NEVER put a TV on this furniture


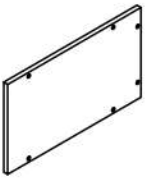

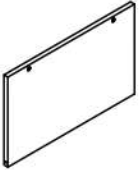
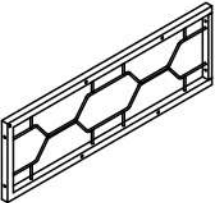
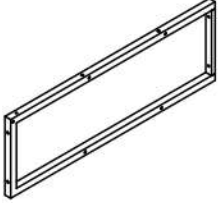
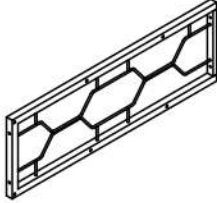
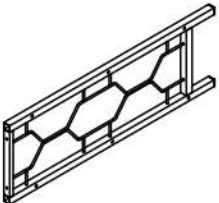
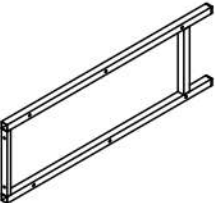
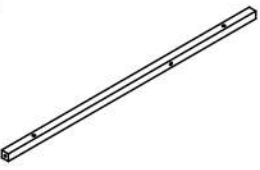




Before Assembly

IMPORTANT NOTE:


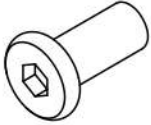












- . Make sure all parts and hardware are included and free of obvious Defect before disposing of any packaging.
- . Place all wooden parts on a clean and smooth surface such as a rug or carpet to avoid the parts from being scratched.
- . DO NOT tighten all screws and bolts until completely assembled.
- . Assembly will require two people.

PART LIST

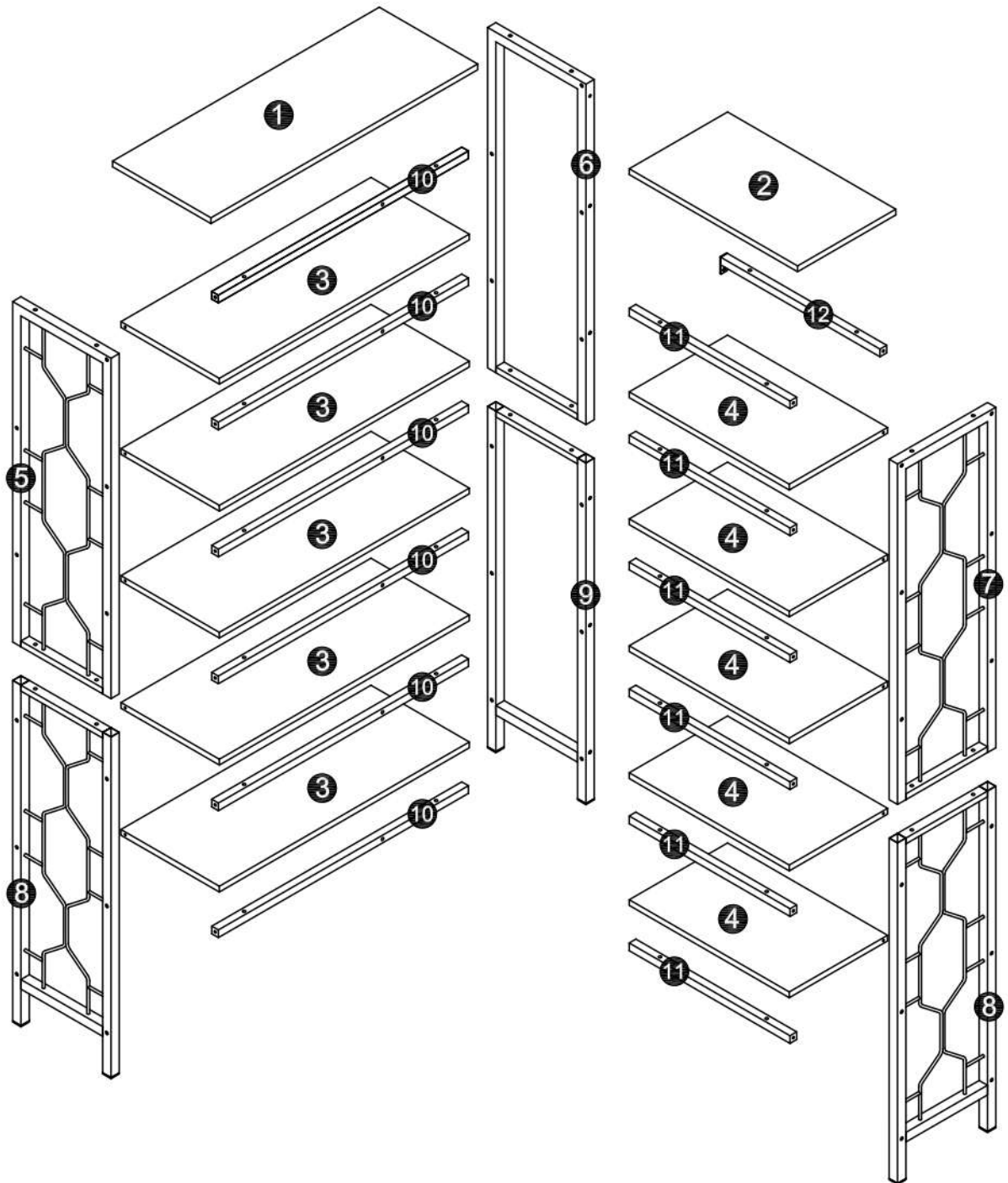
			
1 PC	1 PC	5 PCS	5 PCS
			
1 PC	1 PC	1 PC	2 PCS
			
1 PC	6 PCS	6 PCS	1 PC

Before Assembly

HARDWARE LIST

A  M6x25mm	B  6 PCS	C  M6x12mm	D  M6x30mm
6 PCS	6 PCS	1 PC	26 PCS
E  M6x35mm	F  M6x40mm	G  M7x50mm	H  6 PCS
12 PCS	19 PCS	20 PCS	6 PCS
I  2 PCS	J      M4x35mm 1 PC		
2 PCS	1 PC		

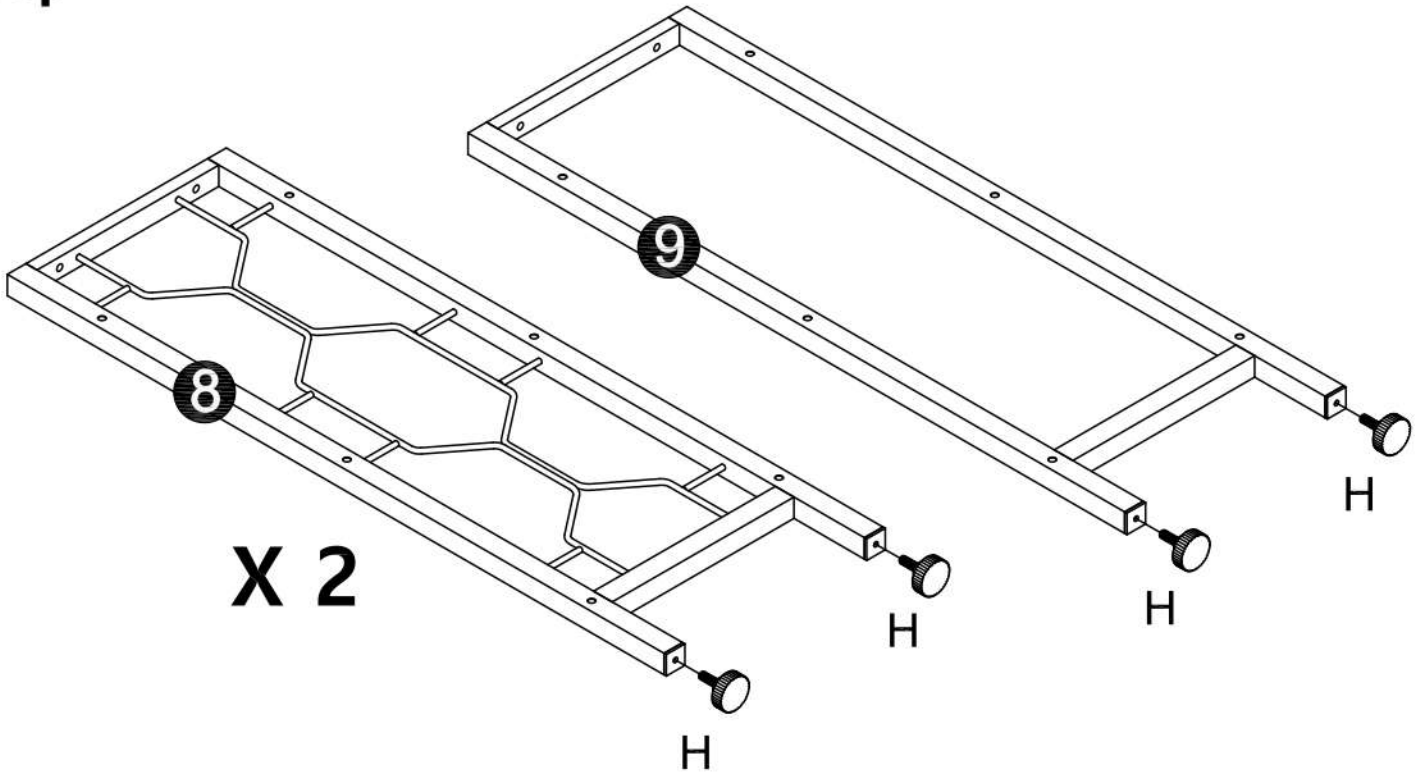
Before Assembly



NOTED:

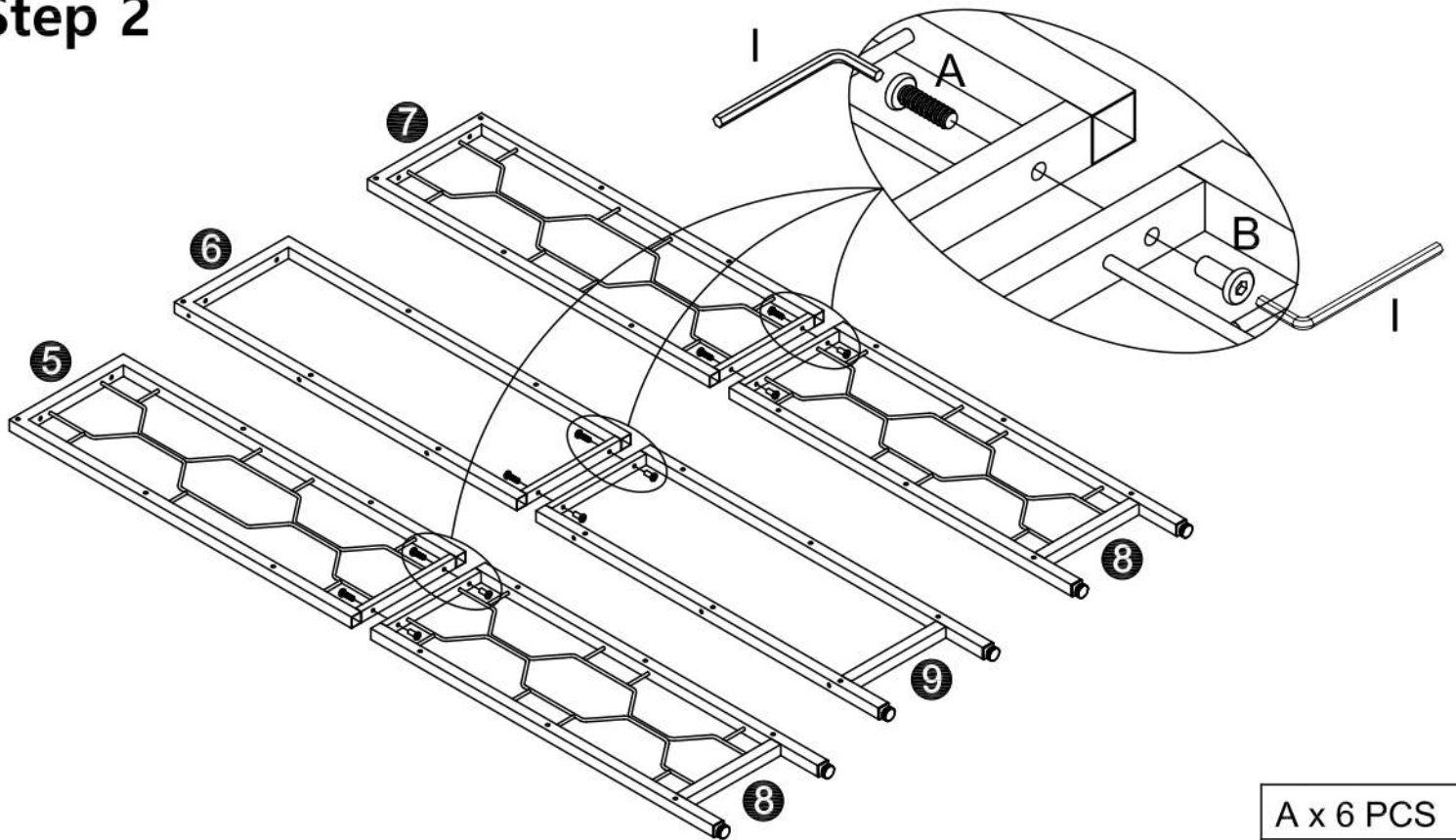
Do not fully tighten all bolts until all parts are in place. Failure to follow these instructions may cause the bolt to misalign during assembly.

Step 1



H x 6 PCS

Step 2



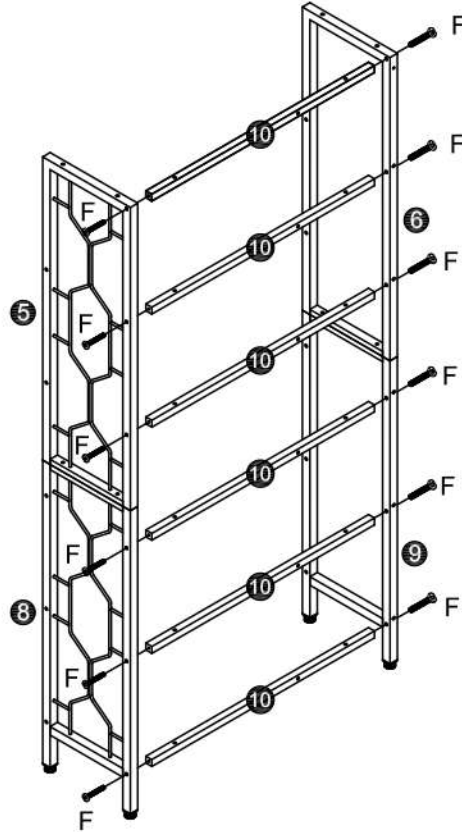
A x 6 PCS

B x 6 PCS

NOTED:

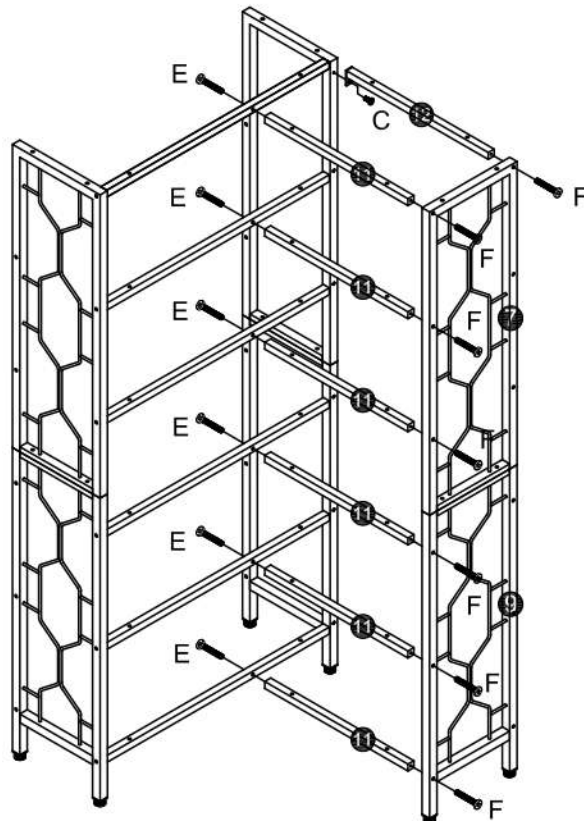
Do not fully tighten all bolts until all parts are in place. Failure to follow these instructions may cause the bolt to misalign during assembly.

Step 3



F x 12 PCS

Step 4



C x 1 PC

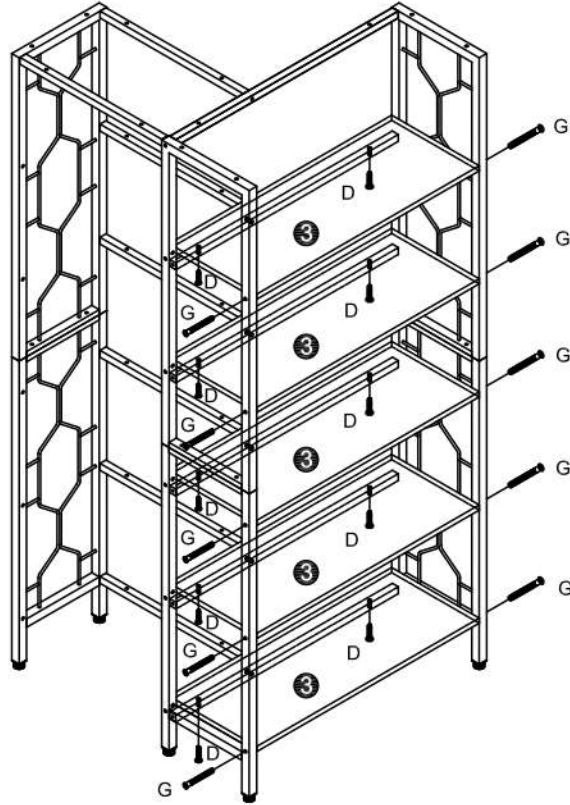
E x 6 PCS

F x 7 PCS

NOTED:

Do not fully tighten all bolts until all parts are in place. Failure to follow these instructions may cause the bolt to misalign during assembly.

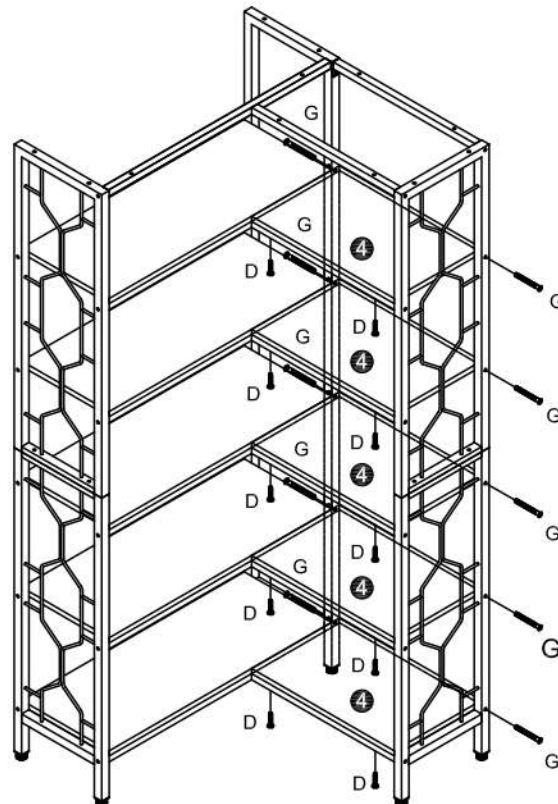
Step 5



D x 10 PCS

G x 10 PCS

Step 6



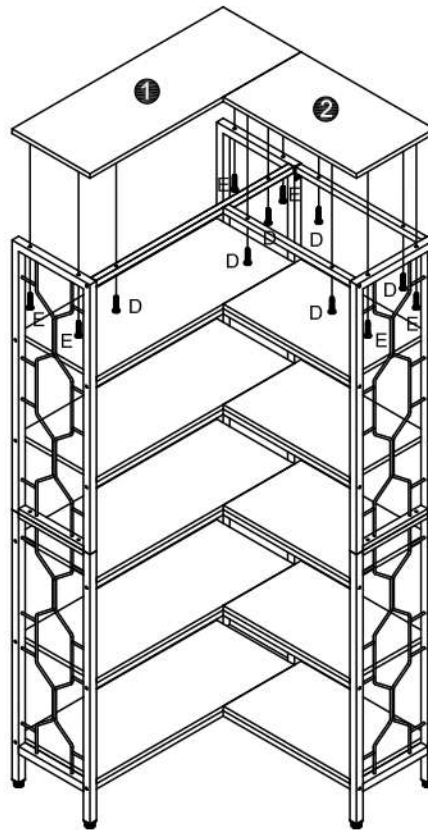
D x 10 PCS

G x 10 PCS

NOTED:

Do not fully tighten all bolts until all parts are in place. Failure to follow these instructions may cause the bolt to misalign during assembly.

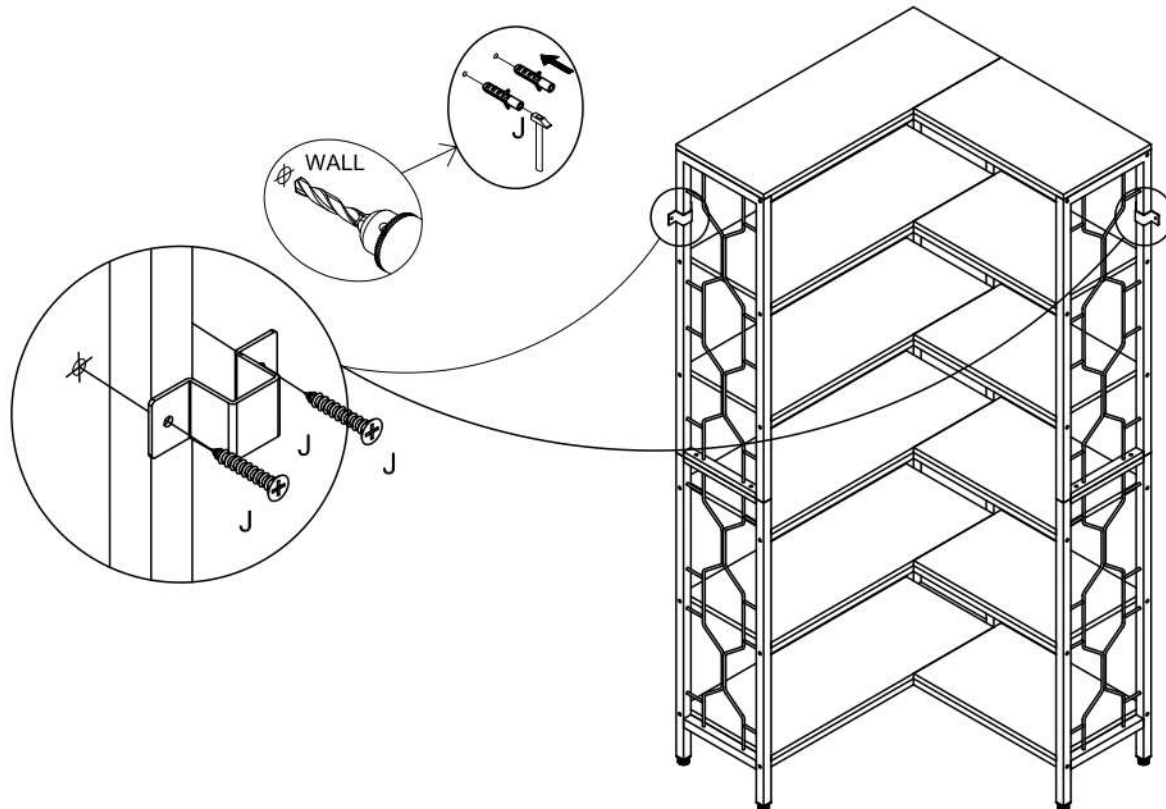
Step 7



D x 6 PCS

E x 6 PCS

Step 8



J x 1 PC