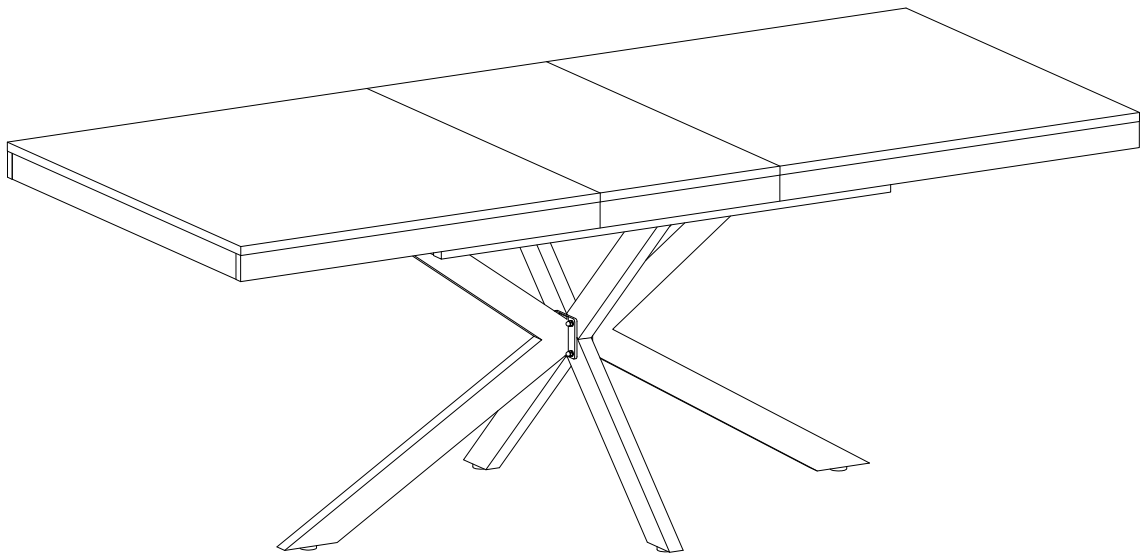


Assembly Instruction

Dining Table

SKU:IHD-DT01



Customer Service Before Return:

If part is missing or damaged, or you need help with assembly, please do not hesitate to contact us.

SELLER CONTACT INFORMATION:

contacts@ihomdec.com

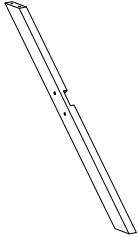
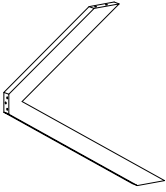

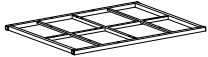
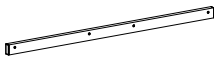
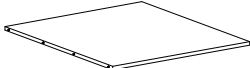

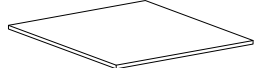

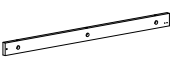
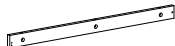
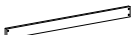


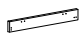

IHD25-ZZHY-03

Before Assembly









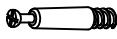





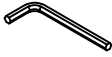





IMPORTANT NOTE:

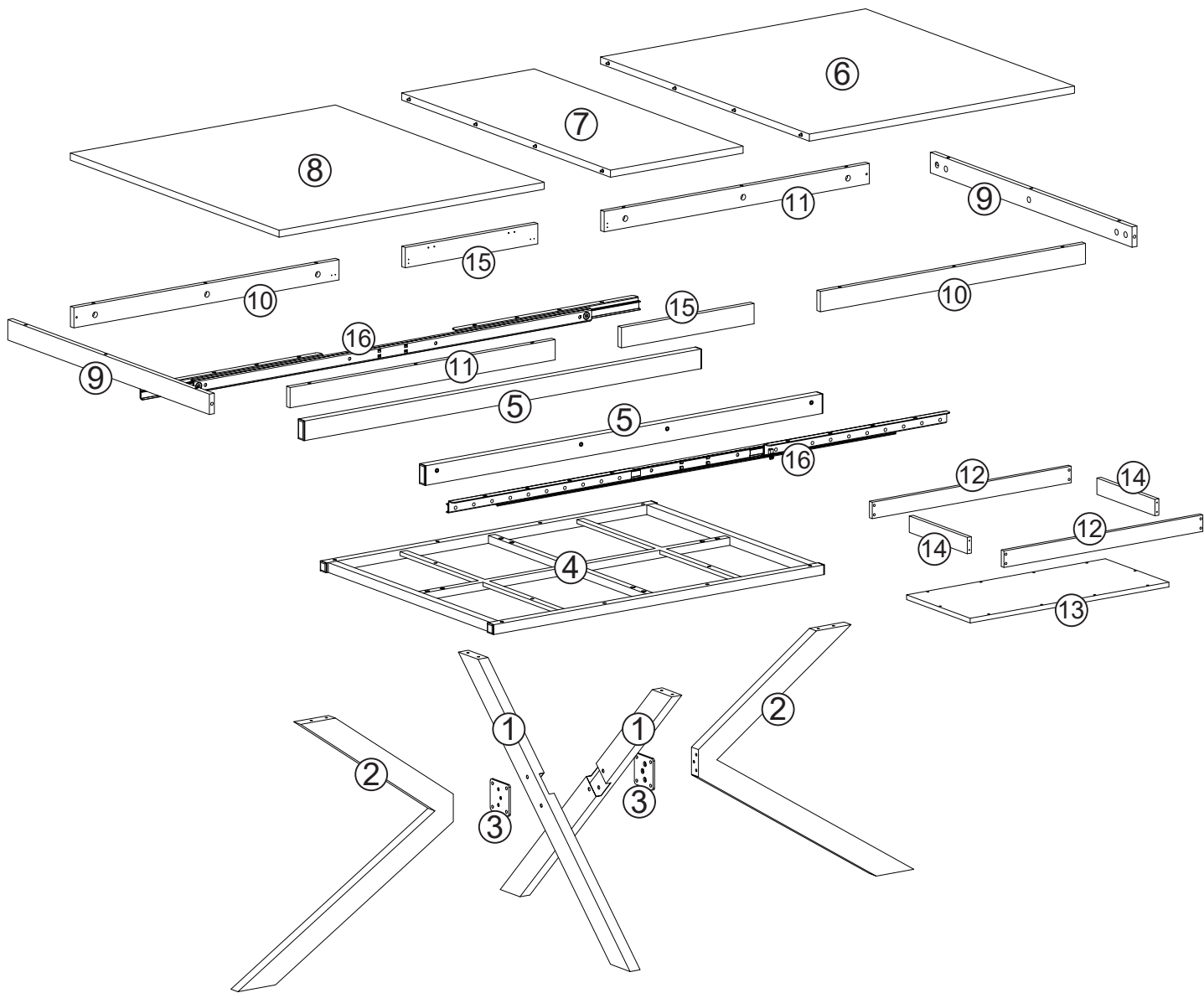
- . Make sure all parts and hardware are included and free of obvious Defect before disposing of any packaging
- . Place all wooden parts on a clean and smooth surface such as a rug or carpet to avoid the parts from being scratched.
- . DO NOT tighten all screws and bolts until completely assembled.
- . Assembly will require two people.

PART LIST

1 	2 	3 	4 
2 PCS	2 PCS	2 PCS	1 PC
5 	6 	7 	8 
2 PCS	1 PC	1 PC	1 PC
9 	10 	11 	12 
2 PCS	2 PCS	2 PCS	2 PCS
13 	14 	15 	16 
1 PC	2 PCS	2 PCS	2 PCS

HARDWARE LIST

A  6x12mm 14 PCS	B  6x12mm 16 PCS	C  6x20mm 2 PCS	D  6x35mm 8 PCS
E  6x50mm 4 PCS	F  6x30mm 8 PCS	G  3x14mm 16 PCS	H  4x35mm 18 PCS
J  6x35mm 22 PCS	K  15x12mm 22 PCS	L  4 PCS	M  4 PCS
N  30mm 4 PCS	P  10mm 1 PC	Q  2 PCS	R  4 PCS
S  15mm 6 PCS	T  4x14mm 16 PCS	U  4 PCS	V  30mm 4 PCS



NOTED:

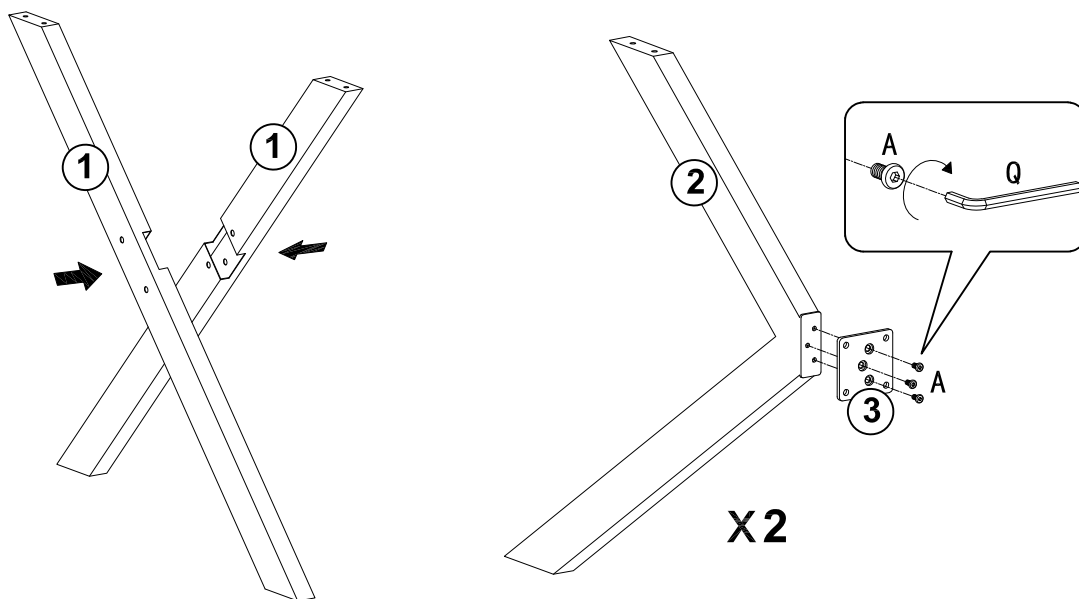
1 .Do not fully tighten all bolts until all parts are in place.Failure to follow these instructions may cause the bolt to misalign during assembly.

2.To prevent injury and property damaged from unexpected tipping of furniture,we highly recommend installation of the anti-tip kit included with this product.

Step 1

YOU WILL NEED

A x6



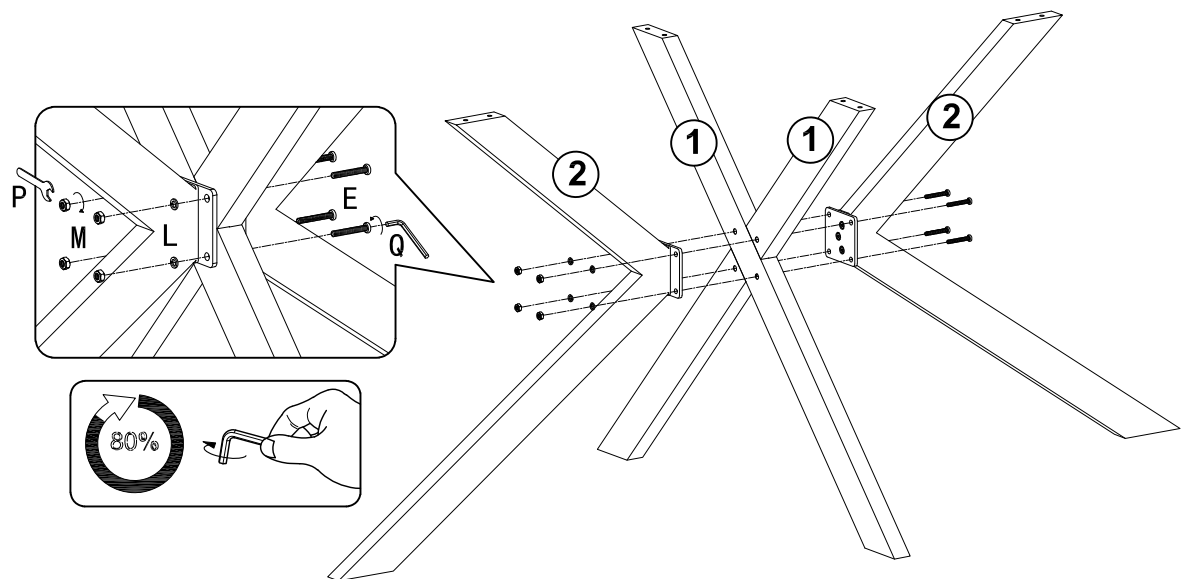
Step 2

YOU WILL NEED

E x4

L x4

M x4

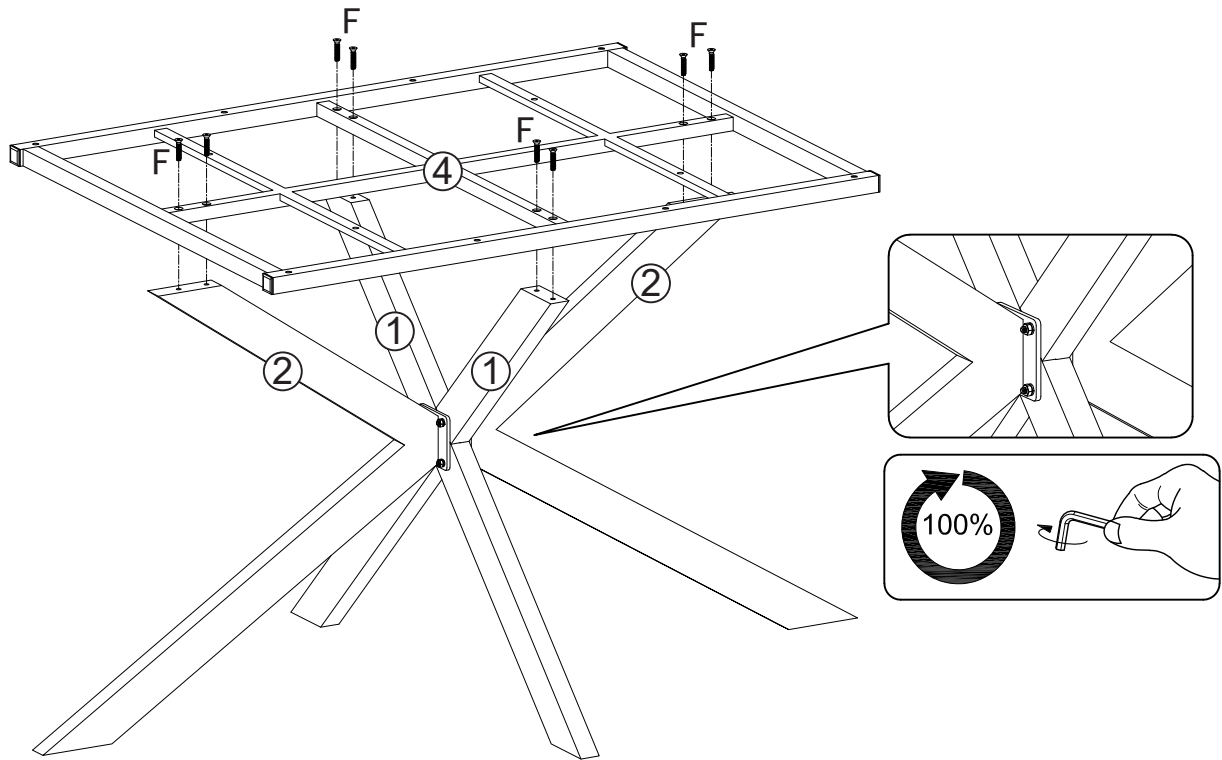


The screws should be tightened to about 80%, not fully tightened.

Step 3

YOU WILL NEED

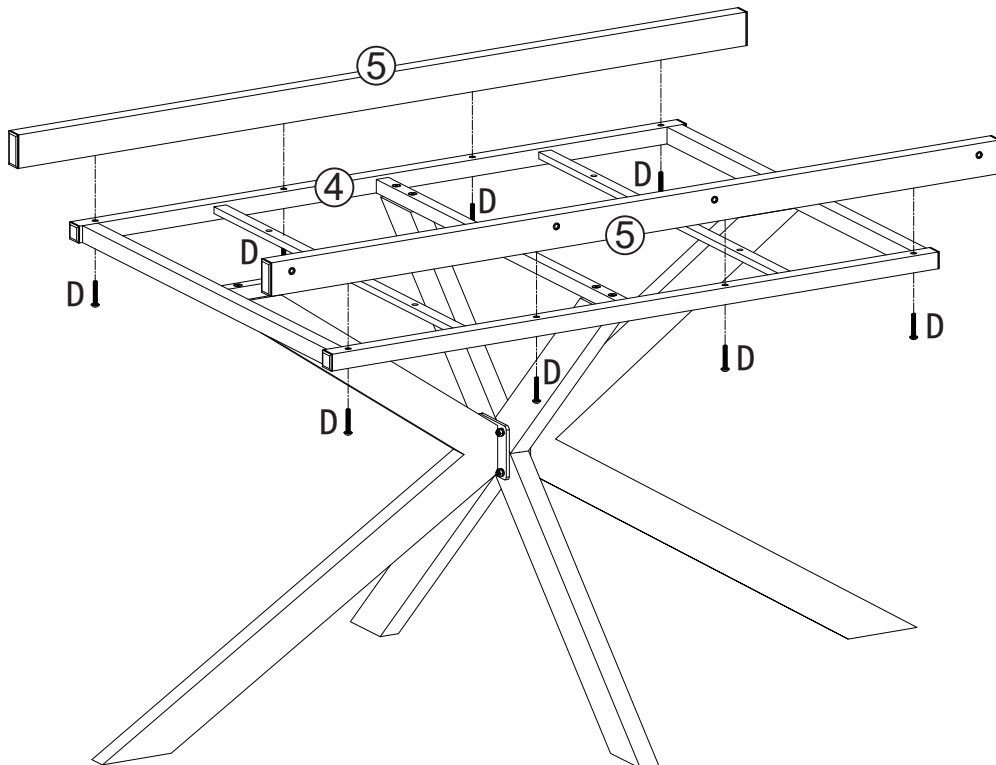
F x8



Step 4

YOU WILL NEED

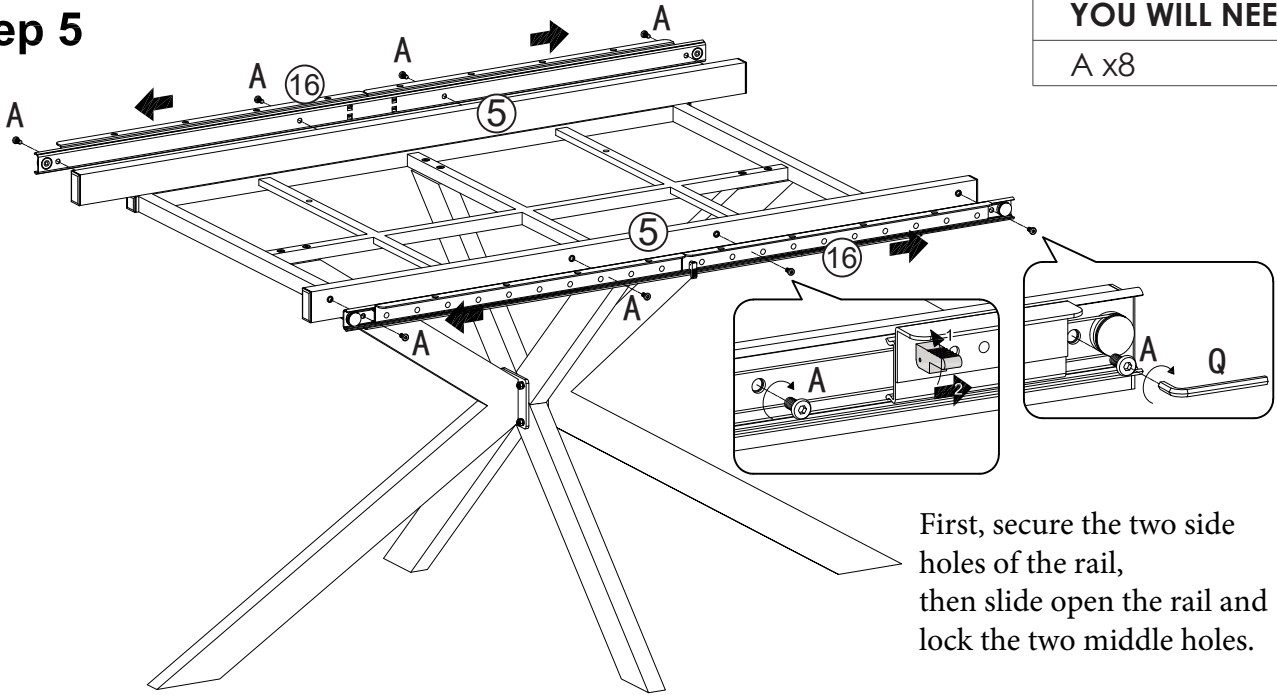
D x8



Step 5

YOU WILL NEED

A x8



First, secure the two side holes of the rail, then slide open the rail and lock the two middle holes.

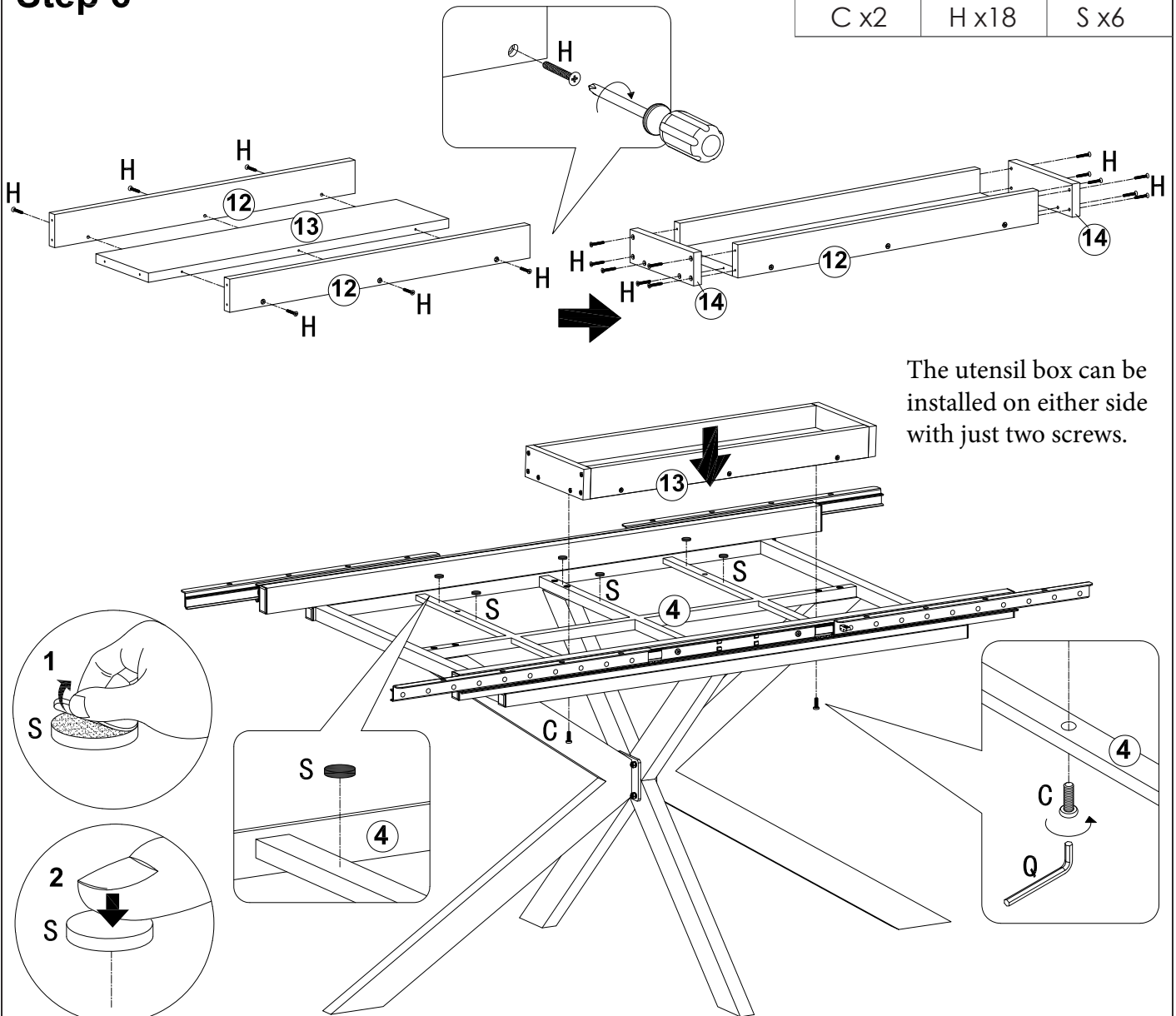
Step 6

YOU WILL NEED

C x2

H x18

S x6



The utensil box can be installed on either side with just two screws.

Step 7

YOU WILL NEED				
G x16	J x22	R x4	T x8	U x4

Diagram 6: Shows a panel with screws J being inserted into pre-drilled holes. An inset shows screw J being driven into a hole.

Diagram 8: Shows a panel with screws J being inserted into pre-drilled holes. An inset shows screw J being driven into a hole.

Diagram 10: Shows a panel with screws G and J being inserted. An inset shows screw G being inserted into a hole.

Diagram 11: Shows a panel with screws G and J being inserted. An inset shows screw G being inserted into a hole.

Diagram 15: Shows a panel with screws G, T, and U being inserted. An inset shows screws T and U being inserted into a hole.

Step 8

YOU WILL NEED	
K x22	T x8

Diagram 9: Shows two panels (9 and 10) being joined at a corner using screw K.

Diagram 10: Shows two panels (10 and 11) being joined at a corner using screw K.

Diagram 11: Shows two panels (11 and 9) being joined at a corner using screw K.

Diagram 15: Shows a panel with screws T and U being inserted. An inset shows screws T and U being inserted into a hole.

Diagram 7: Shows a panel with screws T and U being inserted. An inset shows screws T and U being inserted into a hole.

Diagram 6: Shows a panel with screws K being inserted into pre-drilled holes. An inset shows screw K being inserted into a hole.

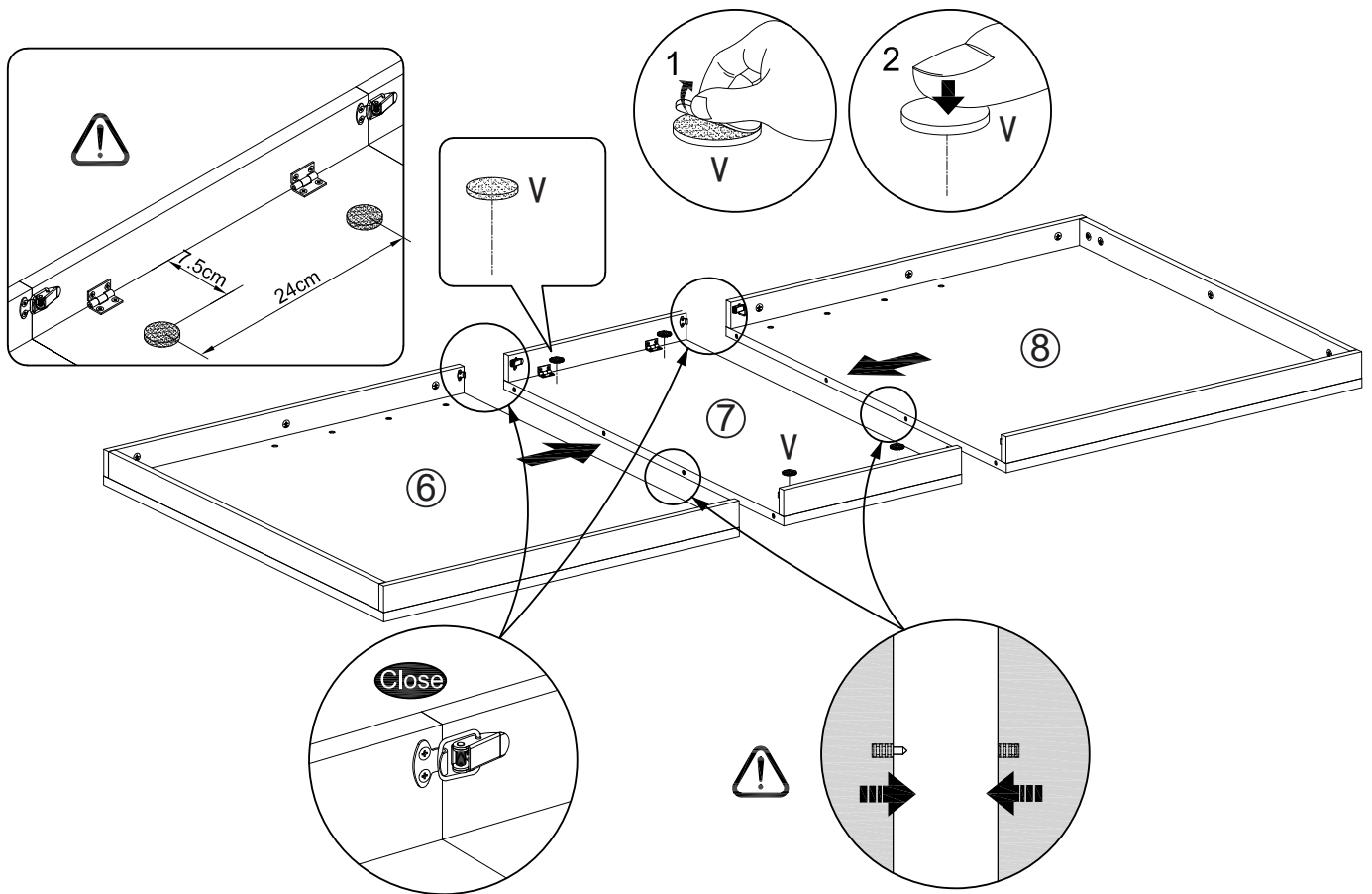
Diagram 8: Shows a panel with screws K being inserted into pre-drilled holes. An inset shows screw K being inserted into a hole.

Diagram 11: Shows a panel with screws K being inserted into pre-drilled holes. An inset shows screw K being inserted into a hole.

Step 9

YOU WILL NEED

V x4

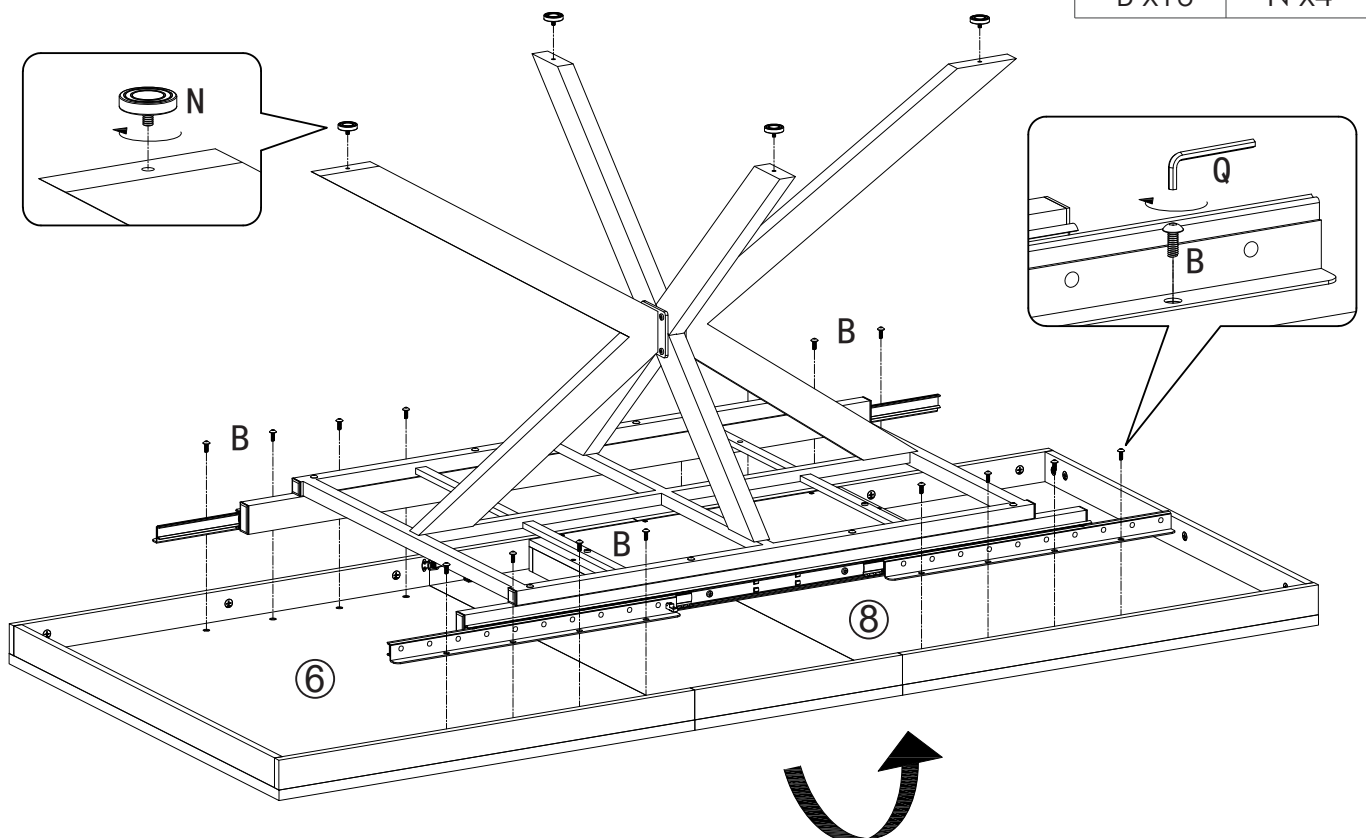


Step 10

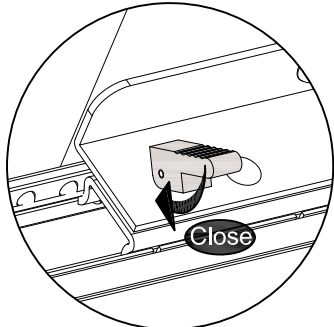
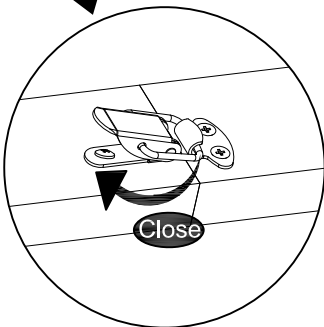
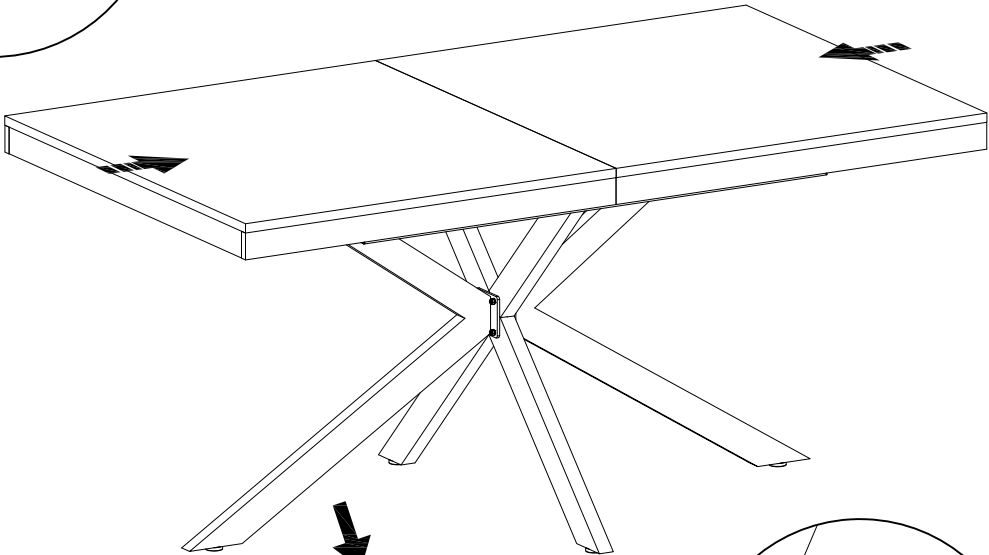
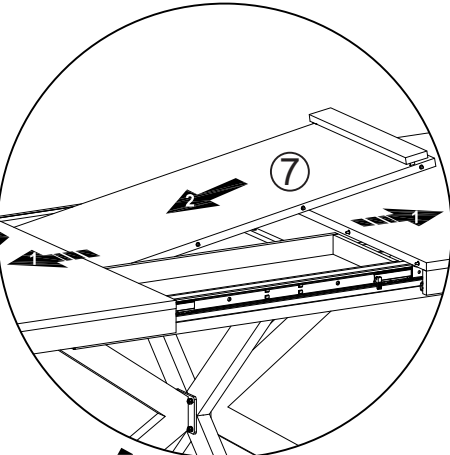
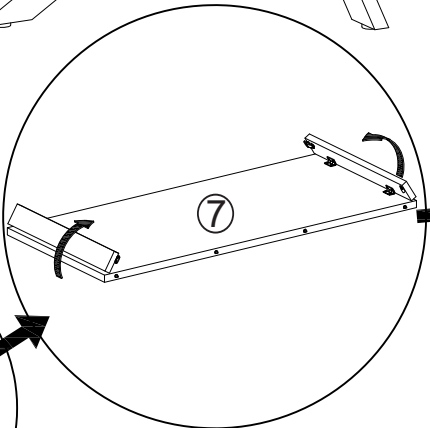
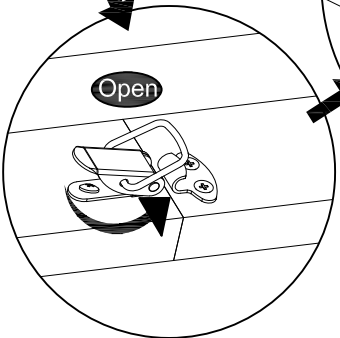
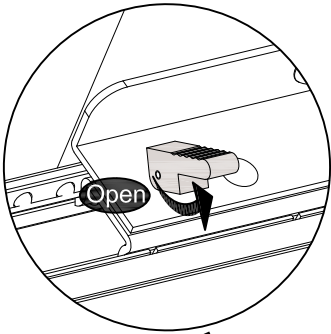
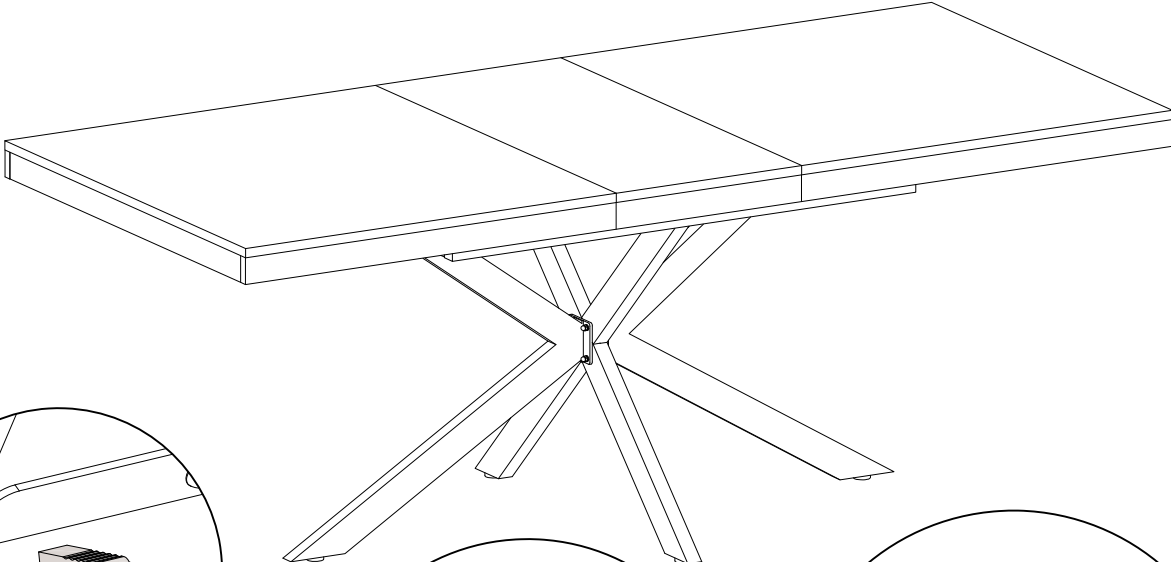
YOU WILL NEED

B x16

N x4



Step 11



Step 12

