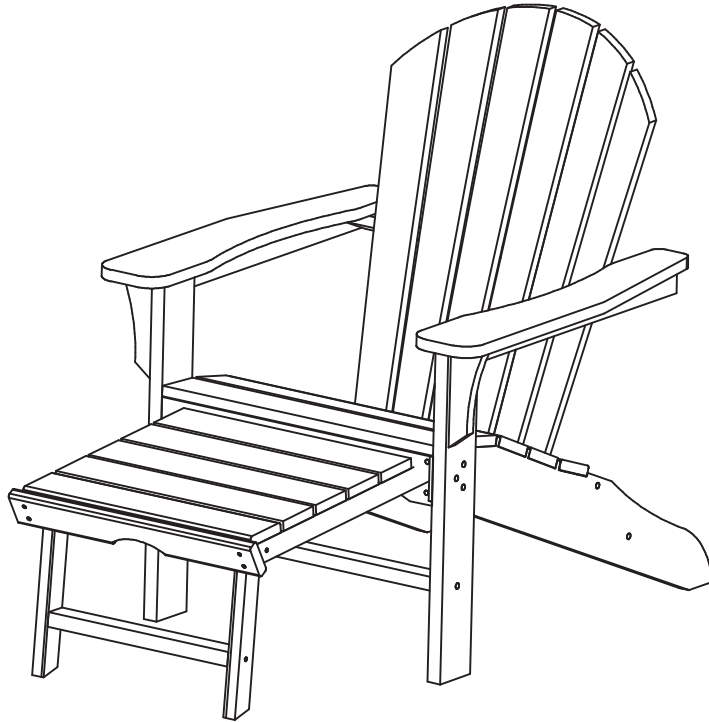


Assembly Instruction Adirondack chair



Customer Service Before Return:

If part missing or damaged, or you need help with assembly, please do not hesitate to contact us.

contacts@ihomdec.com



Before Assembly


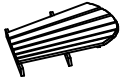






IMPORTANT NOTE:

>Make sure all parts and hardware are included and free of obvious defect before disposing of any packaging.






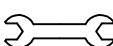

>Do not tighten all screws and bolts until completely assembled.

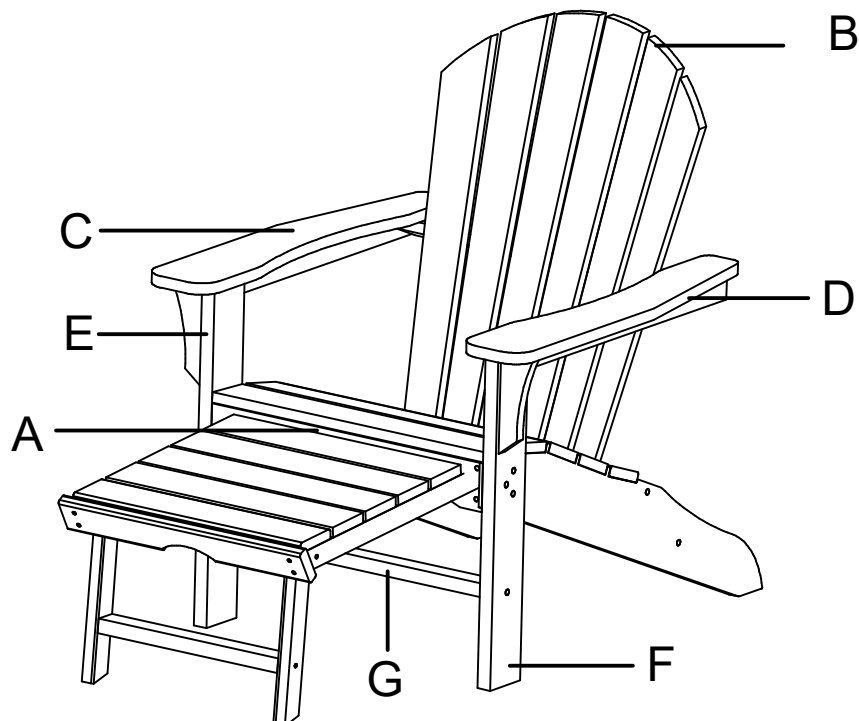
>Assembly will require two people

PART LIST

A	B	C	D	E	F	G	H
							
1 PC	1 PC	1 PC	1 PC	1 PC	1 PC	1 PC	1 PC

HARDWARE LIST

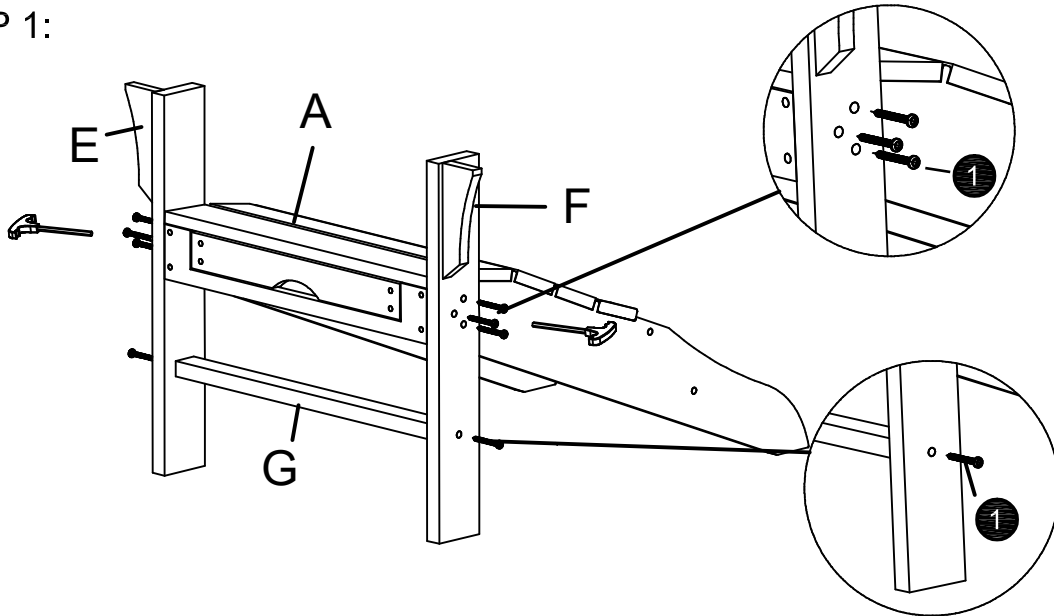
 50mm	 80mm	 60mm					
12 PCS	2 PCS	2 PCS	2 PCS	2 PCS	1 PC	1 PC	



NOTED:

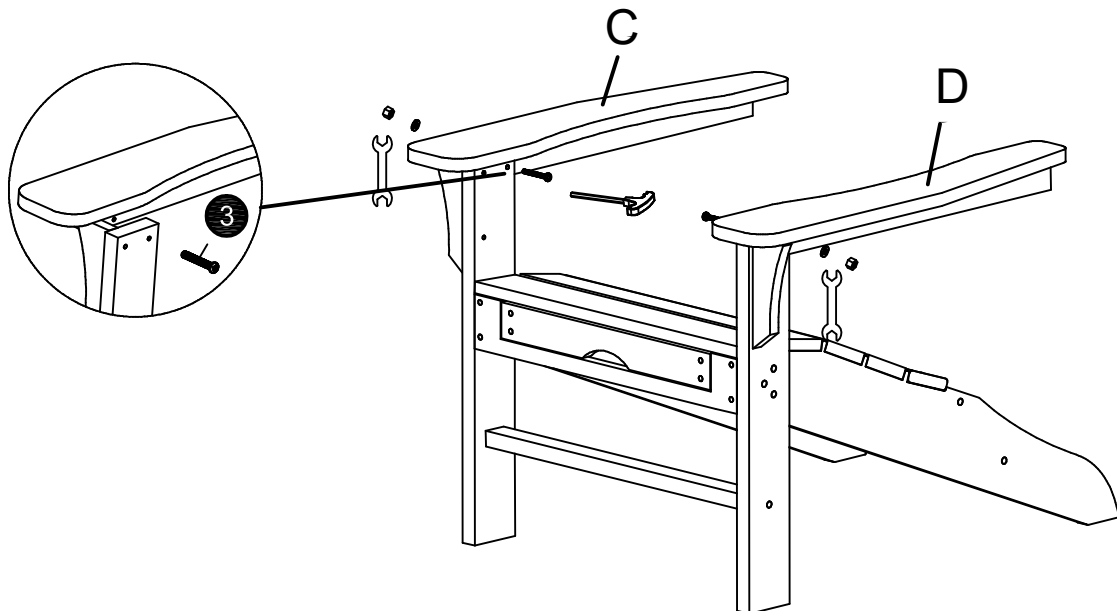
Do not fully tighten all parts are in place. Failure to follow these instructions may cause the bolt misalign during assembly.

STEP 1:



1 X 8PCS 

STEP 2:

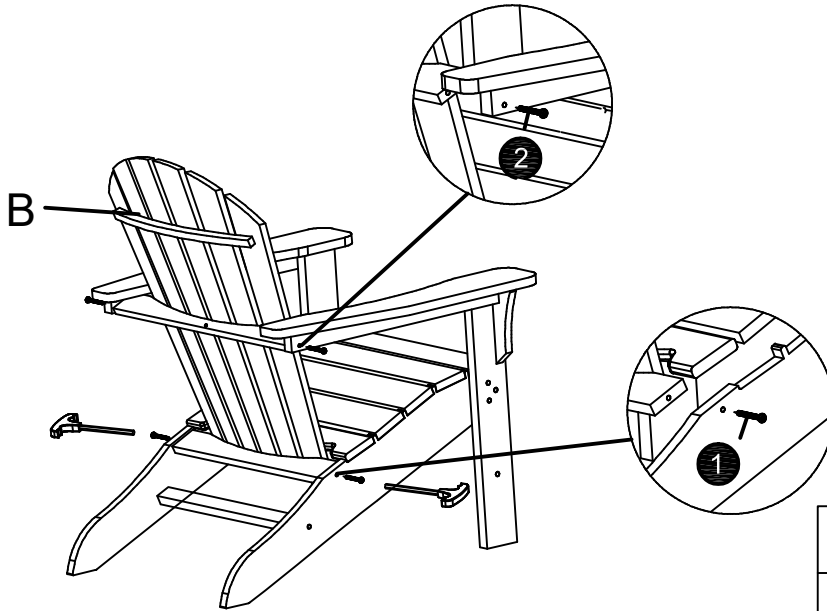


4 X 2PCS 

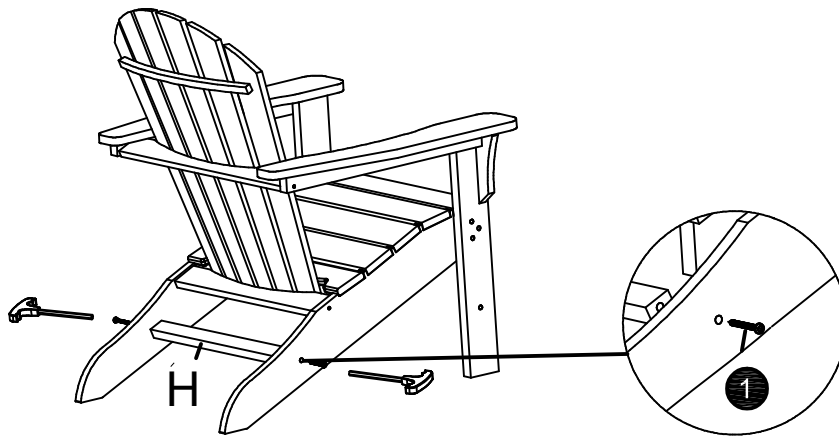
5 X 2PCS 

3 X 2PCS 

STEP 3:



STEP 4:



STEP 5:

