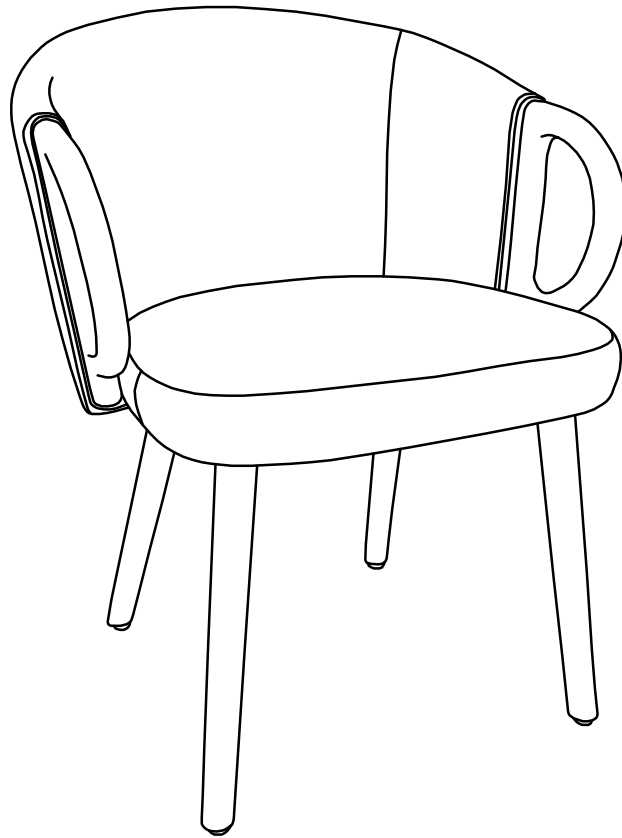


# Assembly Instruction

## DINING CHAIR



---


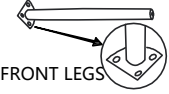
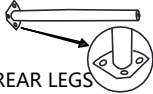


### **Customer Service Before Return**

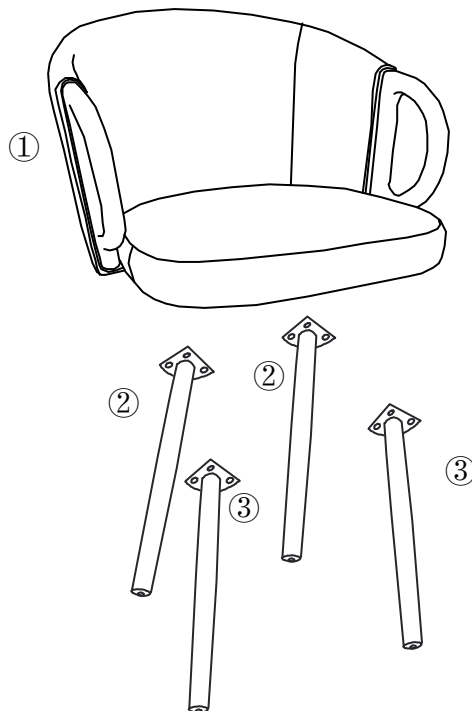
If part is missing or damaged , or you need help with assembly , please do not hesitate to contact us .

# Before Assembly

## IMPORTANT NOTE :

- Make sure all parts and hardware are included and free of obvious Defect before disposing of any packaging
- Place all wooden parts on a clean and smooth surface such as a rug or carpet to avoid the parts from being scratched .
- DO NOT tighten all screws and bolts until completely assembled .
- Assembly will require two people .

<p>①</p> 	<p>②</p>  <p>FRONT LEGS</p>	<p>③</p>  <p>REAR LEGS</p>				
<p>① *1PC</p>	<p>② *2PCS</p>	<p>③ *2PCS</p>				
<p>A</p>  <p>M6*22MM</p>	<p>G</p>  <p>M6</p>					
<p>A*12+1EXT</p>	<p>G*1</p>					

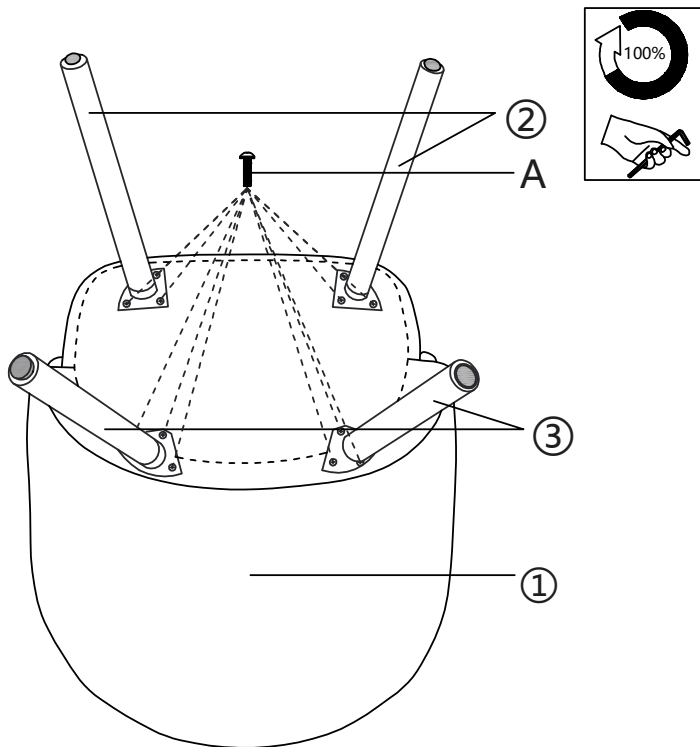


**NOTED:**

- 1. Do not fully tighten all bolts until all parts are in place. Failure to follow these instructions may cause the bolt to misalign during assembly.
- 2. To prevent injury and property damaged from unexpected tipping of furniture, we highly recommend installation of the anti - tip kit included with this product.

## Assembly Instruction

### Step 1



A×12PCS

### Step 2

