

IHOMDEC  
Assembly Instruction  
**Console Table**  
IHD-ST08-BN



---

**Customer Service Before Return**

If part is missing or damaged, or you need help with assembly, please do not hesitate to contact us.

**SELLER CONTACT INFORMATION:**

[contacts@ihomdec.com](mailto:contacts@ihomdec.com)

IHD24-HJ-06

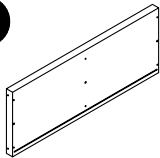
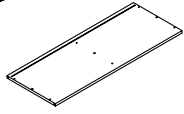
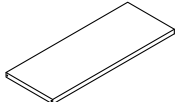

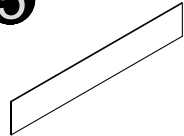
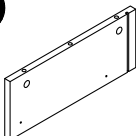
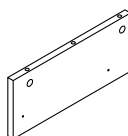
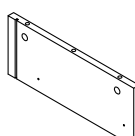
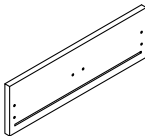
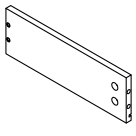
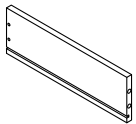
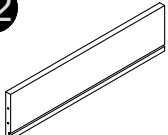
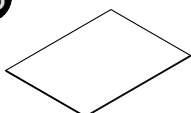


# Before Assembly

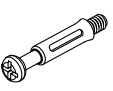

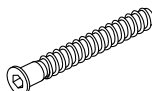
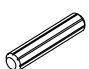
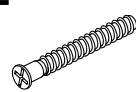
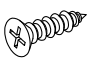
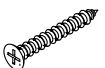

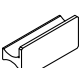
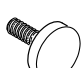
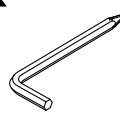
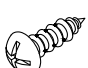
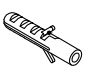
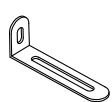
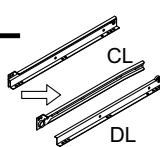
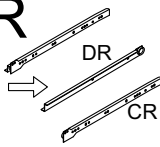
## IMPORTANT NOTE:

- Make sure all parts and hardware are included and free of obvious Defect before disposing of any packaging
- Place all wooden parts on a clean and smooth surface such as a rug or carpet to avoid the parts from being scratched.
- DO NOT tighten all screws and bolts until completely assembled.
- Assembly will require two people.

## PART LIST

<b>1</b> 	<b>2</b> 	<b>3</b> 	<b>4</b> 	<b>5</b> 
1PC	1PC	2PCS	2PCS	1PC
<b>6</b> 	<b>7</b> 	<b>8</b> 	<b>9</b> 	<b>10</b> 
1PC	1PC	1PC	2PCS	2PCS
<b>11</b> 	<b>12</b> 	<b>13</b> 		
2PCS	2PCS	2PCS		

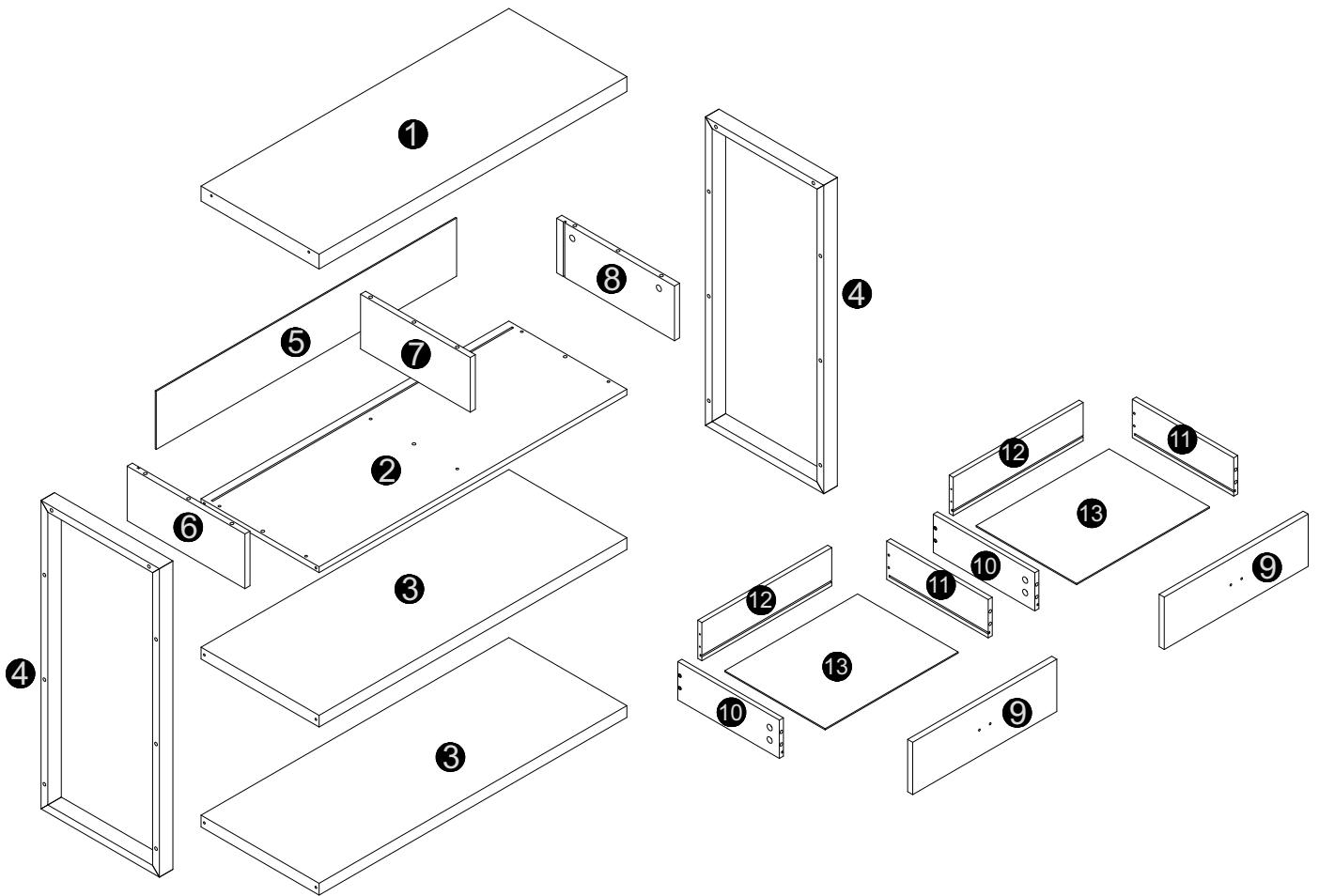
## HARDWARE LIST

<b>A</b> M6X35mm 	<b>B</b> 	<b>C</b> M7X70mm 	<b>D</b> 	<b>E</b> M5X40mm 	<b>F</b> M3.5X14mm 
14PCS	14PCS	16PCS	6PCS	6PCS	20PCS
<b>G</b> M4X35mm 	<b>H</b> M4x18mm 	<b>I</b> 	<b>J</b> M6x15mm 	<b>K</b> 4mm 	<b>M</b> M4x14mm 
9PCS	4PCS	2PCS	4PCS	1PC	1PC
<b>N</b> 	<b>O</b> 	<b>L</b> 	<b>R</b> 		
1PC	1PC	2PCS	2PCS		

# Before Assembly

## IMPORTANT NOTE:

- Make sure all parts and hardware are included and free of obvious Defect before disposing of any packaging
- Place all wooden parts on a clean and smooth surface such as a rug or carpet to avoid the parts from being scratched.
- DO NOT tighten all screws and bolts until completely assembled.
- Assembly will require two people.

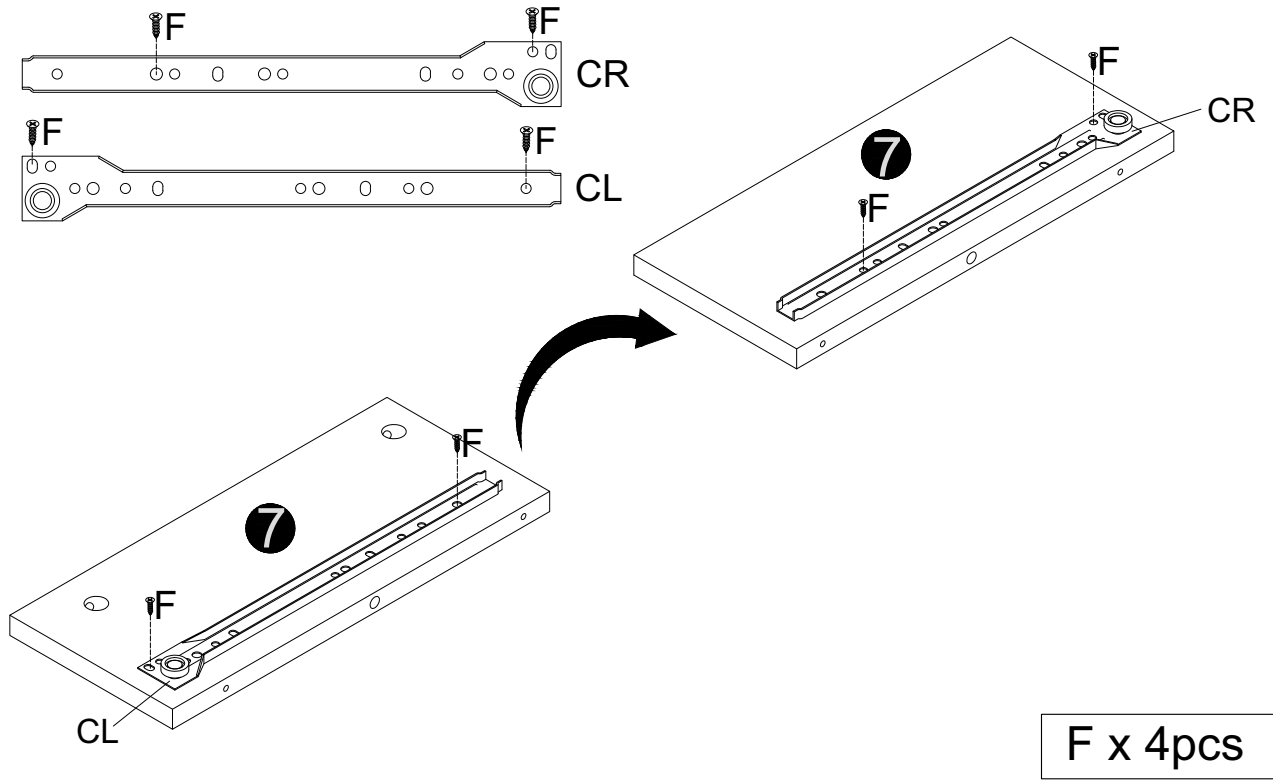


**NOTED:**

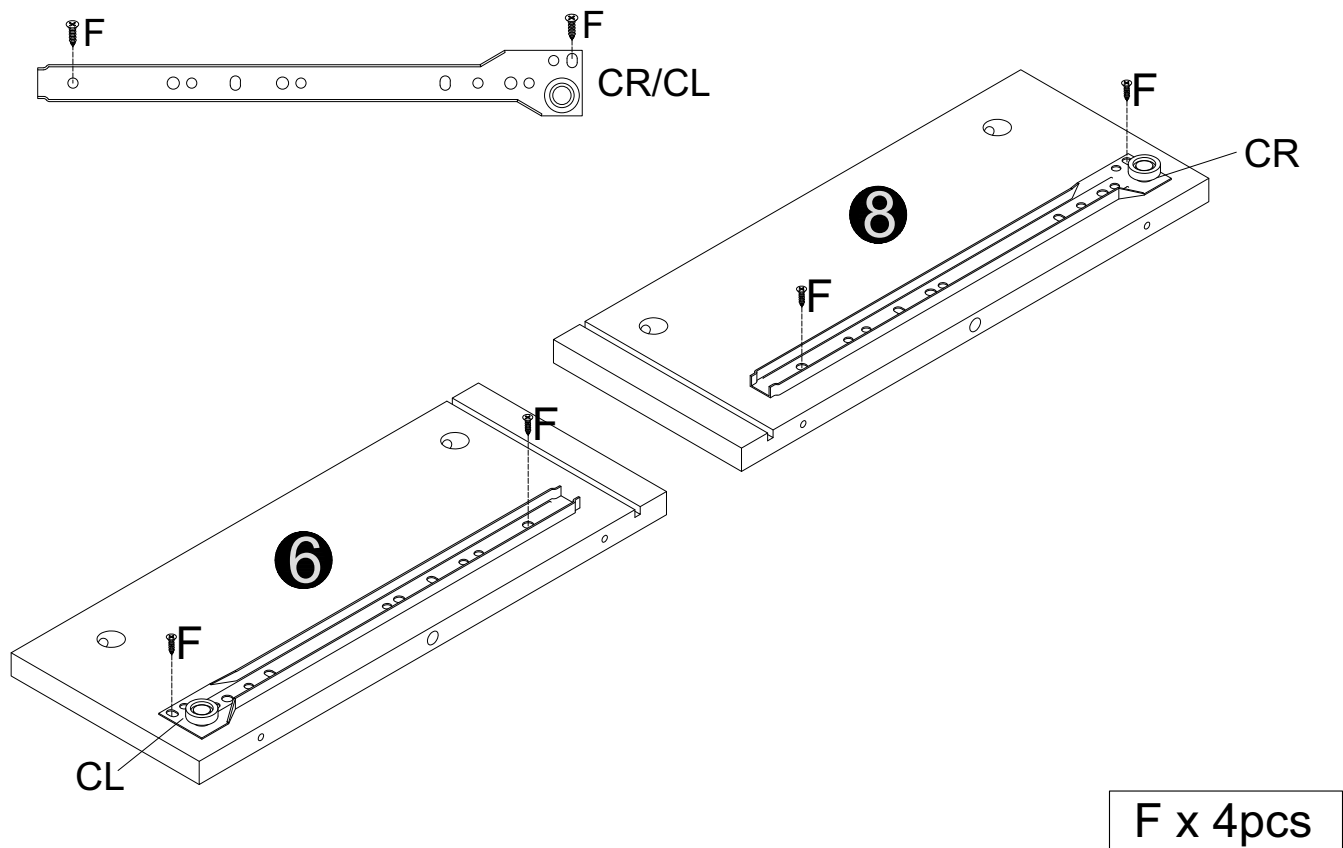
1. Do not fully tighten all bolts until all parts are in place. Failure to follow these instructions may cause the bolt to misalign during assembly.

2. To prevent injury and property damaged from unexpected tipping of furniture, we highly recommend installation of the anti-tip kit included with this product.

**Step 1**



**Step 2**

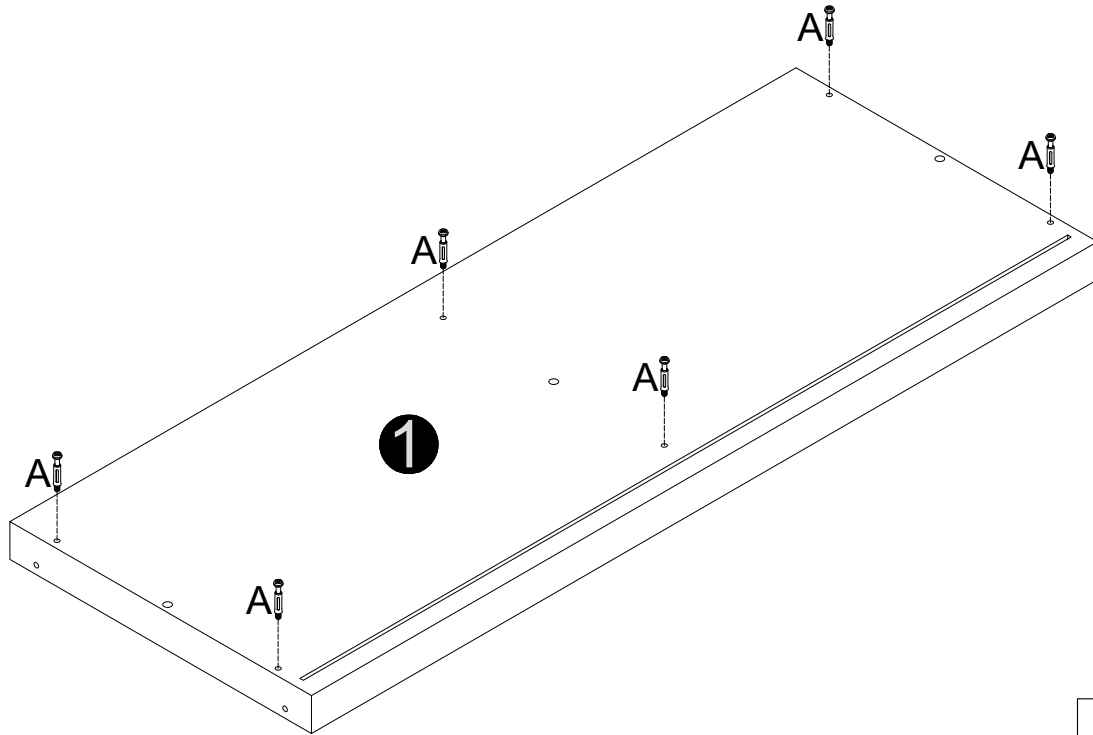


**NOTED:**

1. Do not fully tighten all bolts until all parts are in place. Failure to follow these instructions may cause the bolt to misalign during assembly.

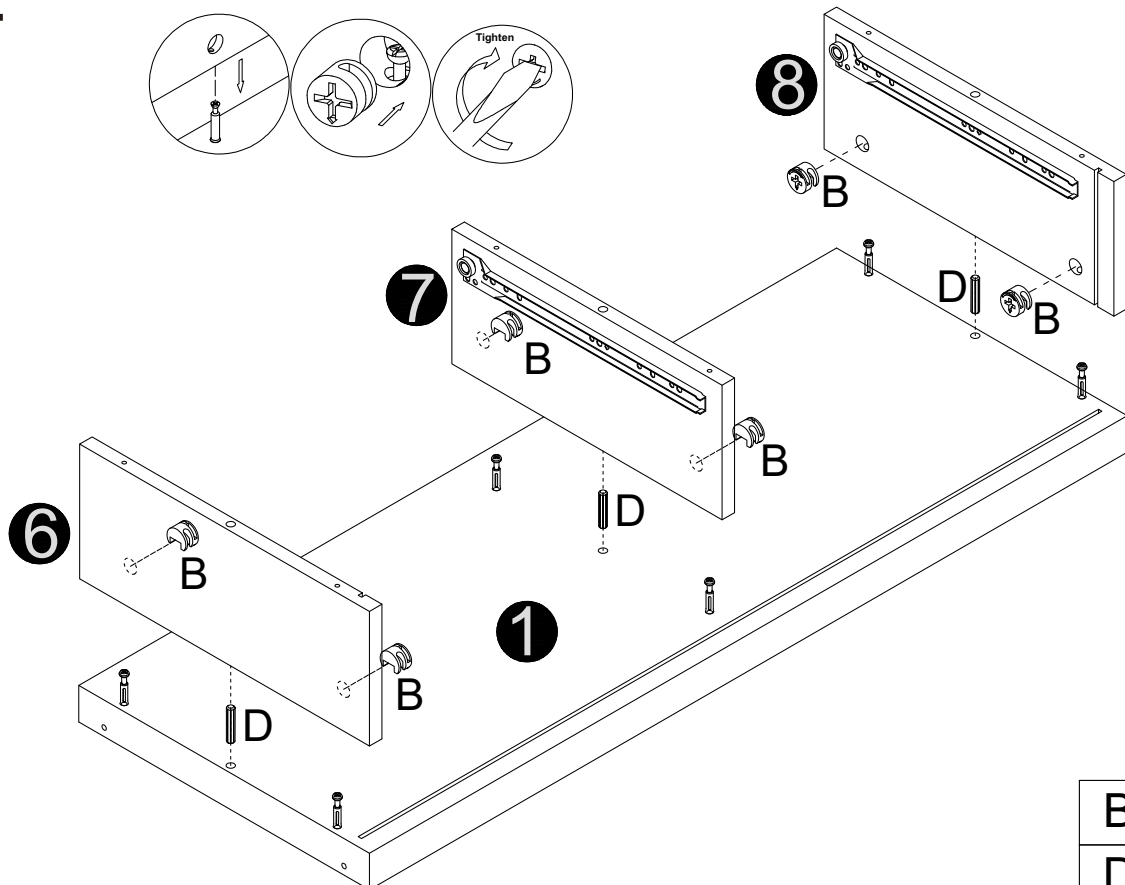
2. To prevent injury and property damaged from unexpected tipping of furniture, we highly recommend installation of the anti-tip kit included with this product.

**Step 3**



A x 6pcs

**Step 4**



B x 6pcs

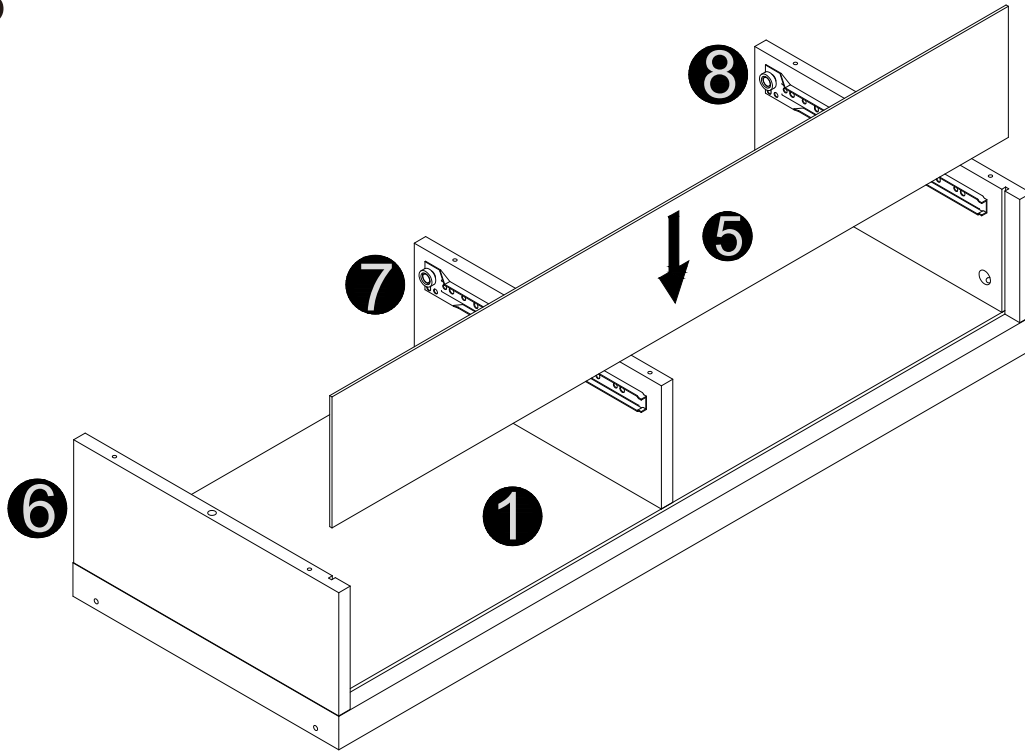
D x 3pcs

**NOTED:**

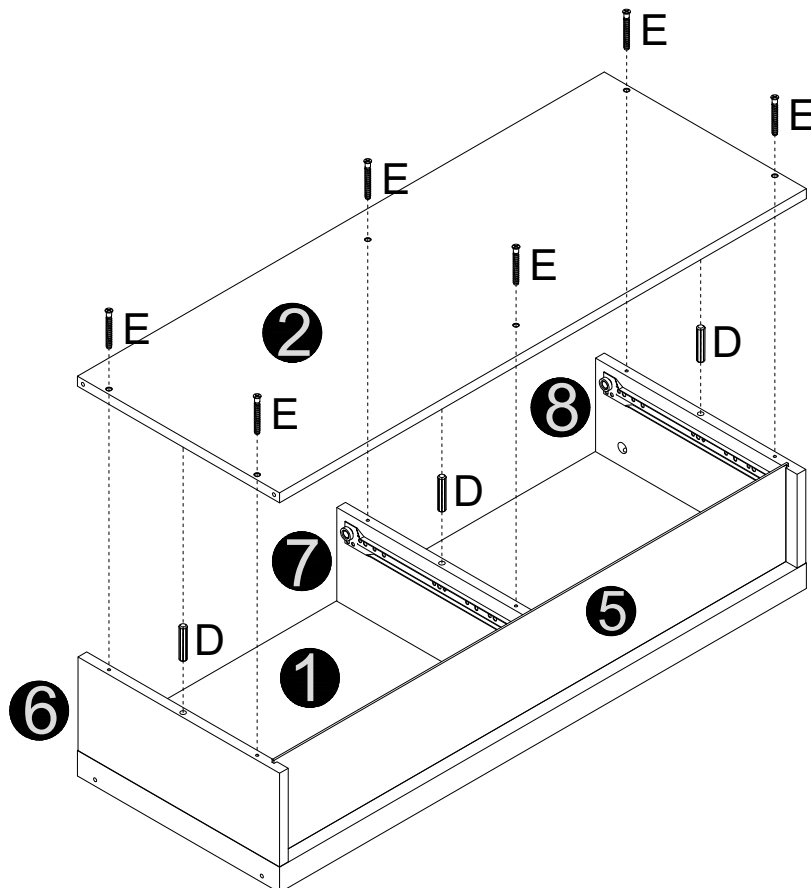
1. Do not fully tighten all bolts until all parts are in place. Failure to follow these instructions may cause the bolt to misalign during assembly.

2. To prevent injury and property damaged from unexpected tipping of furniture, we highly recommend installation of the anti-tip kit included with this product.

**Step 5**



**Step 6**

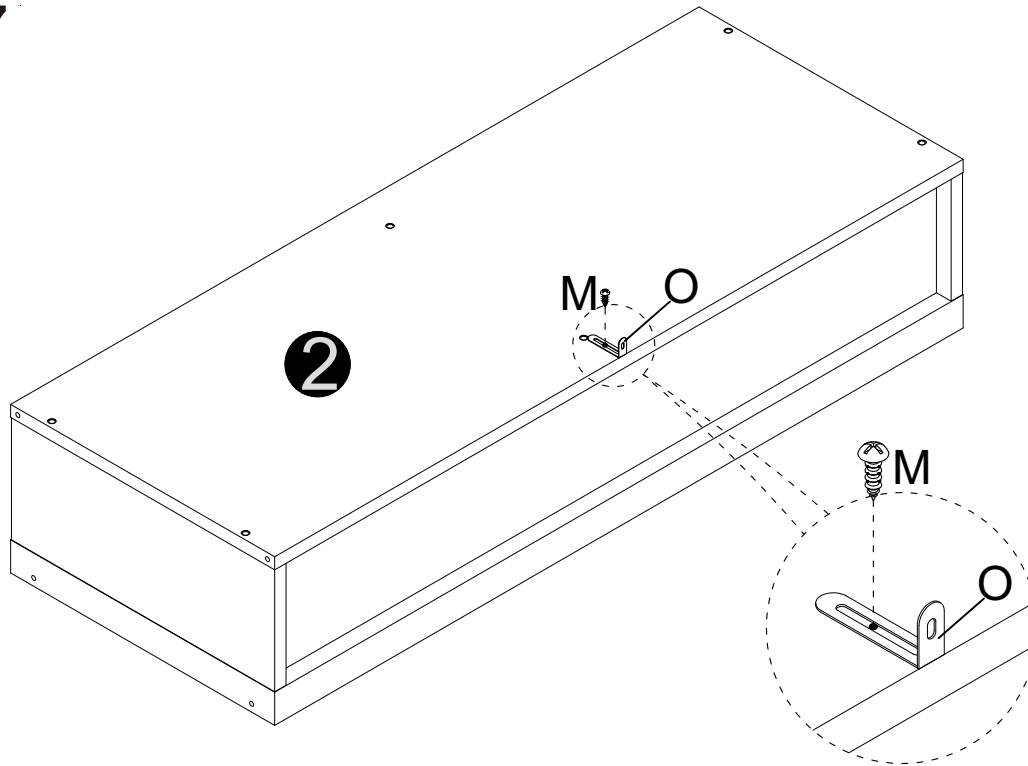


E x 6pcs
D x 3pcs

**NOTED:**

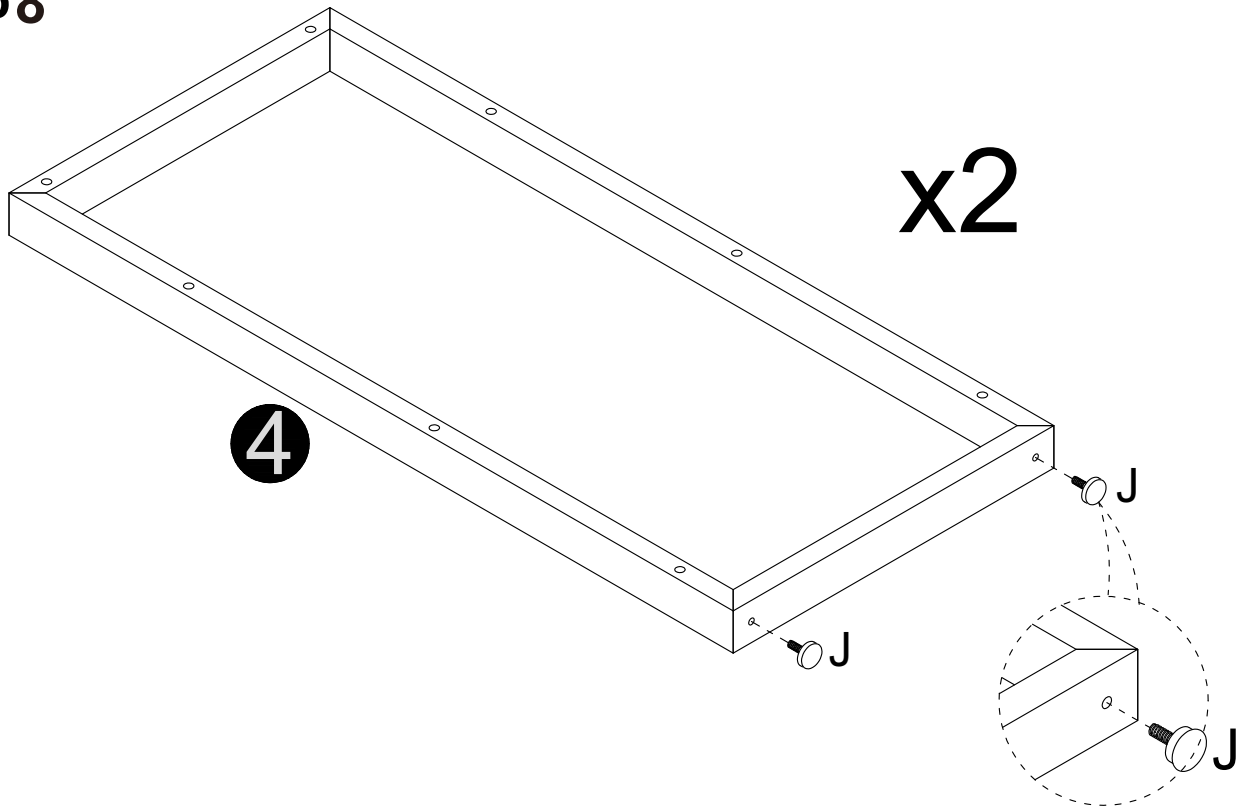
1. Do not fully tighten all bolts until all parts are in place. Failure to follow these instructions may cause the bolt to misalign during assembly.
2. To prevent injury and property damaged from unexpected tipping of furniture, we highly recommend installation of the anti-tip kit included with this product.

**Step 7**



O x 1pc
M x 1pc

**Step 8**



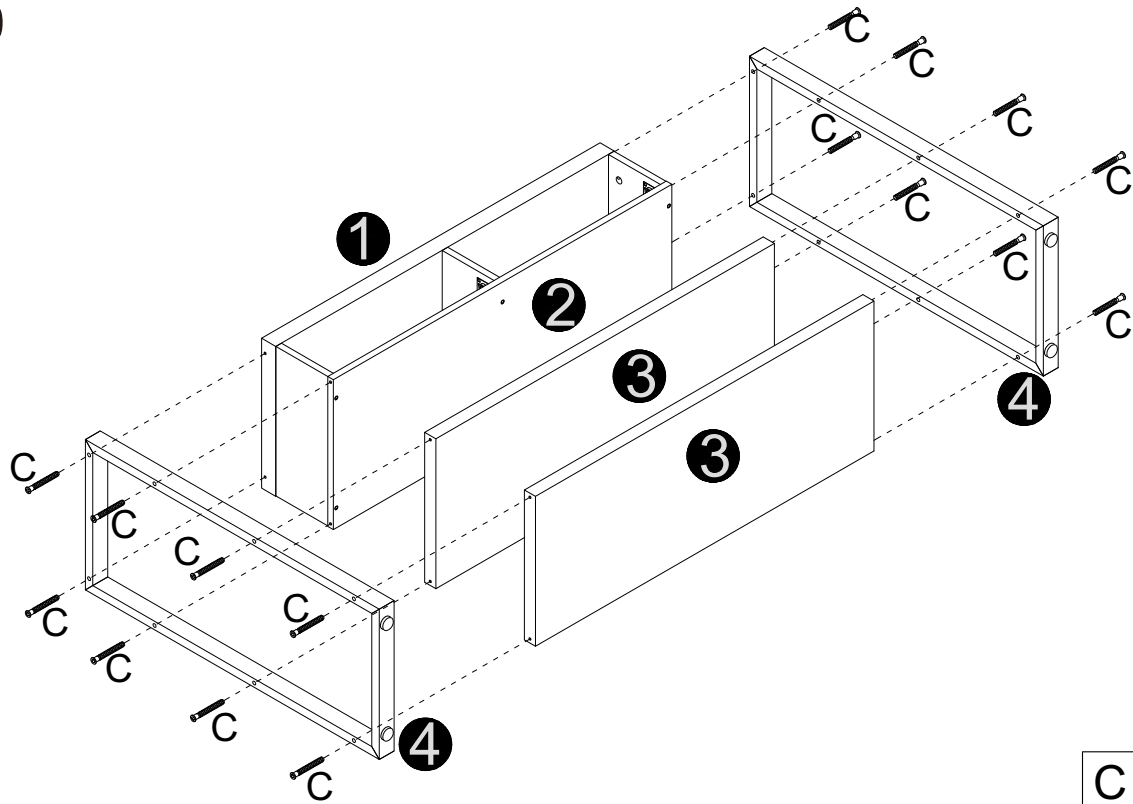
J x 4pcs
----------

**NOTED:**

1. Do not fully tighten all bolts until all parts are in place. Failure to follow these instructions may cause the bolt to misalign during assembly.

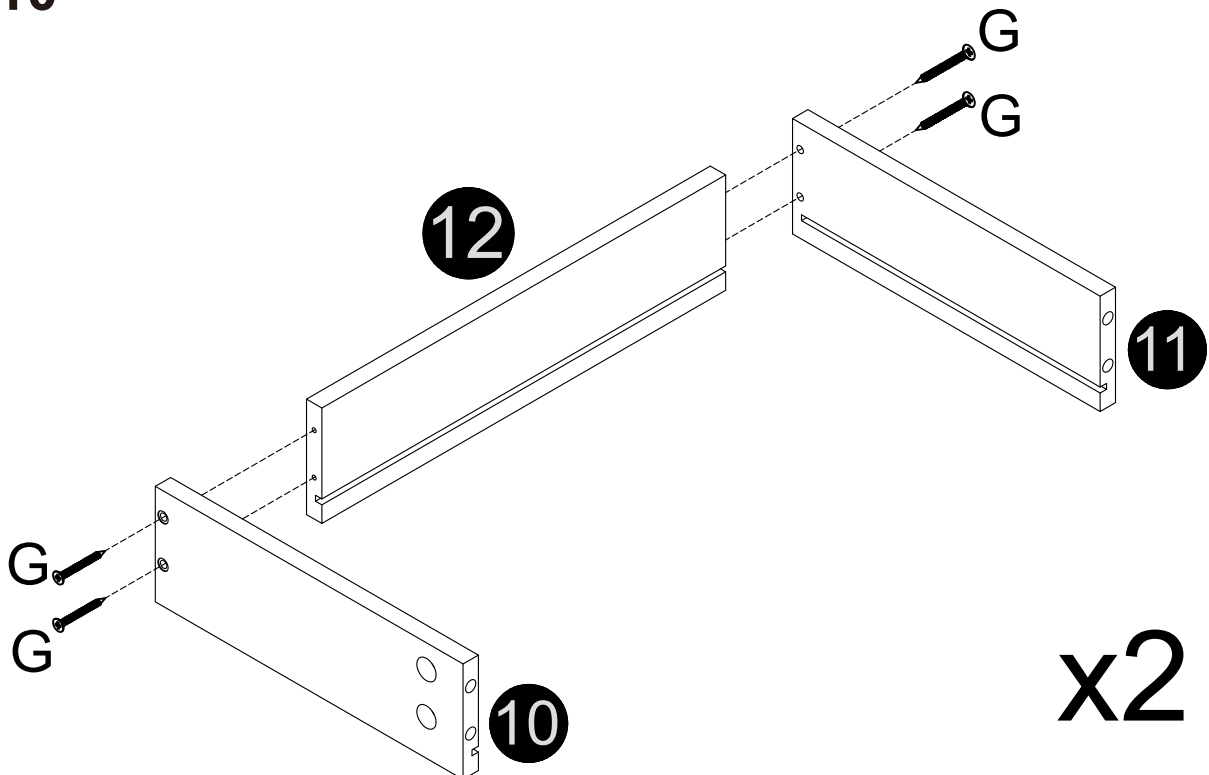
2. To prevent injury and property damaged from unexpected tipping of furniture, we highly recommend installation of the anti-tip kit included with this product.

**Step 9**



C x 16pcs

**Step 10**



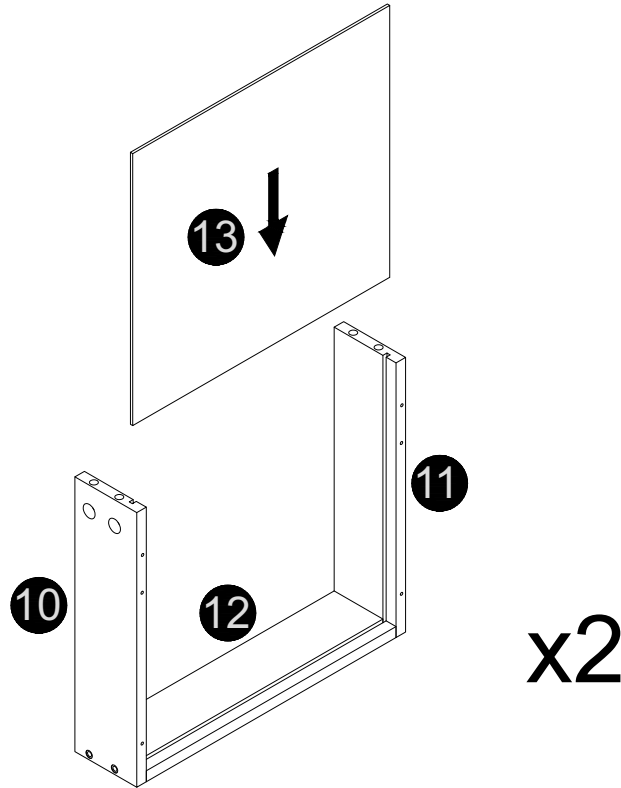
x2

G x 8pcs

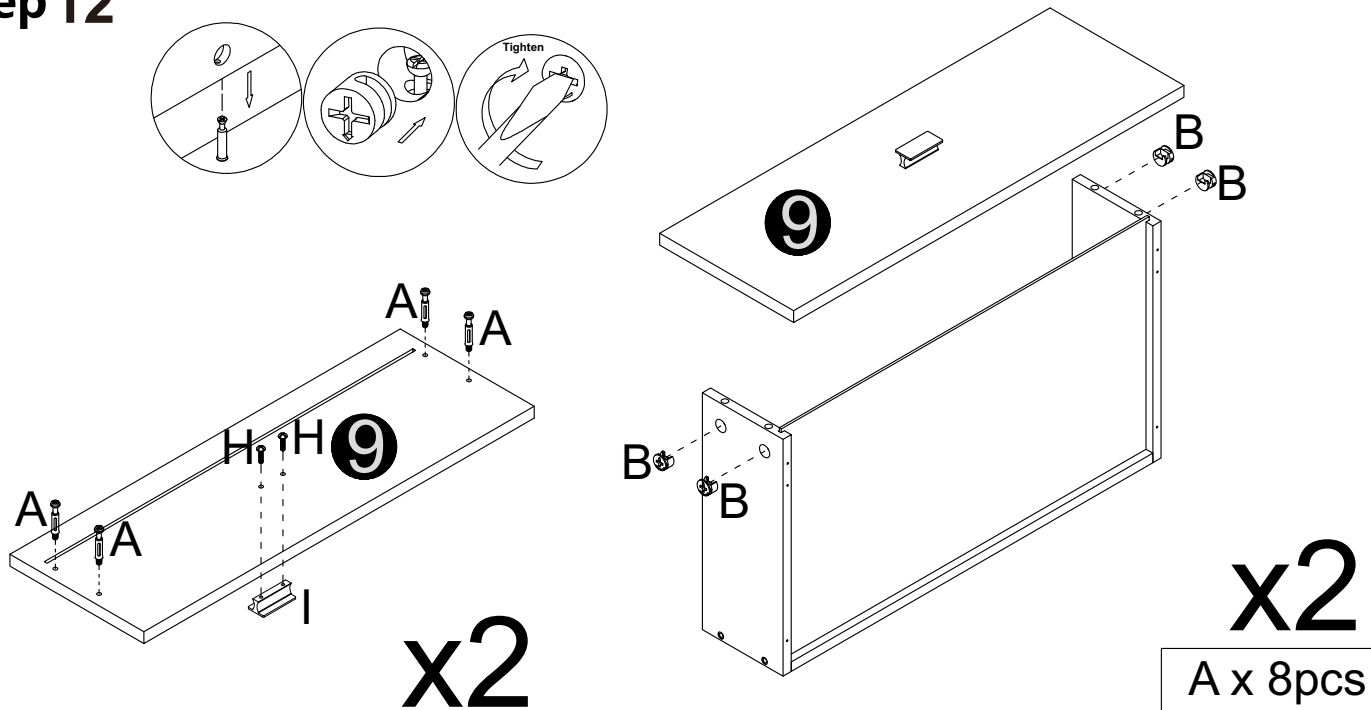
**NOTED:**

1. Do not fully tighten all bolts until all parts are in place. Failure to follow these instructions may cause the bolt to misalign during assembly.
2. To prevent injury and property damaged from unexpected tipping of furniture, we highly recommend installation of the anti-tip kit included with this product.

**Step 11**



**Step 12**



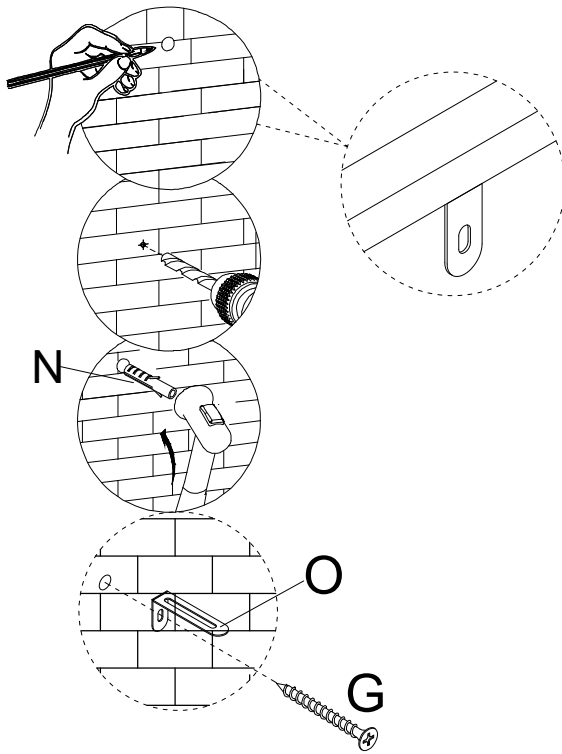
A x 8pcs
B x 8pcs
H x 4pcs
I x 2pcs



**NOTED:**

1. Do not fully tighten all bolts until all parts are in place. Failure to follow these instructions may cause the bolt to misalign during assembly.
2. To prevent injury and property damaged from unexpected tipping of furniture, we highly recommend installation of the anti-tip kit included with this product.

**Step 15**



N x 1pc

G x 1pc