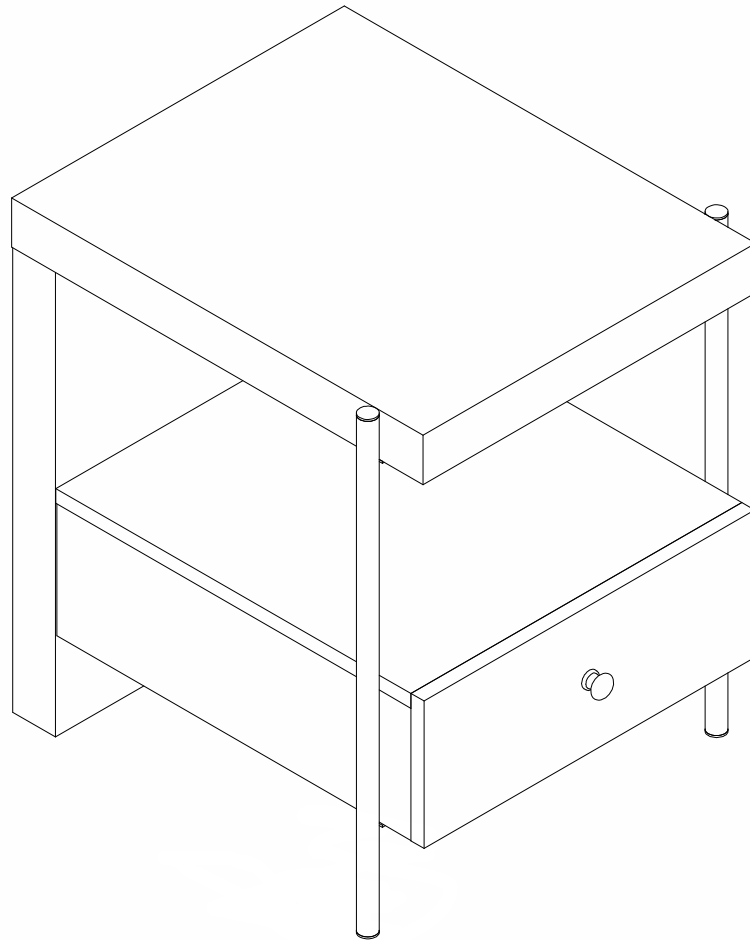


IHOMDEC  
Assembly Instruction  
**Bedside Cupboard**  
IHD-ST10-FB



---

**Customer Service Before Return**

If part is missing or damaged, or you need help with assembly, please do not hesitate to contact us.

**SELLER CONTACT INFORMATION:**

[contacts@ihomdec.com](mailto:contacts@ihomdec.com)

IHD24-HJ-02

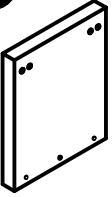
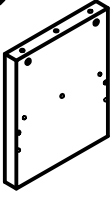
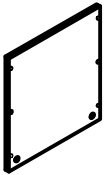
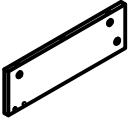
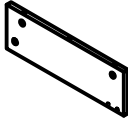
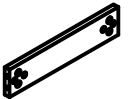
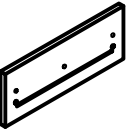
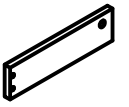
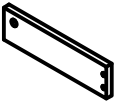
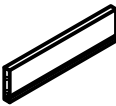
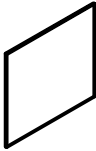



## Before Assembly




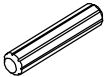


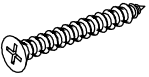
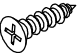
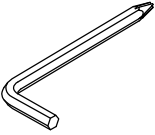
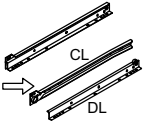
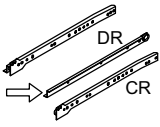
### IMPORTANT NOTE:

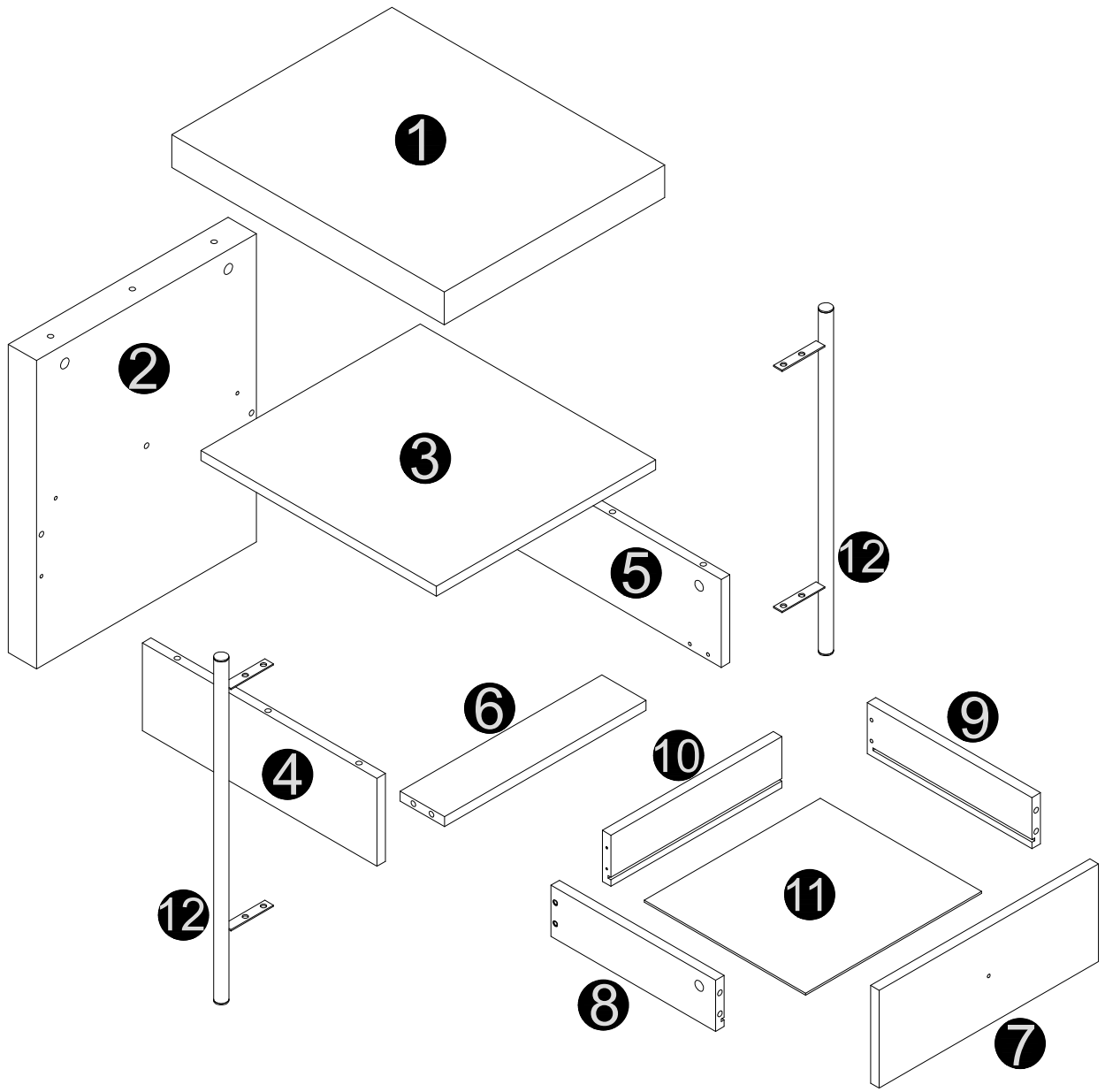
- Make sure all parts and hardware are included and free of obvious Defect before disposing of any packaging
- Place all wooden parts on a clean and smooth surface such as a rug or carpet to avoid the parts from being scratched.
- DO NOT tighten all screws and bolts until completely assembled.
- Assembly will require two people.

### PART LIST

PART LIST					
<b>1</b>	<b>2</b>	<b>3</b>	<b>4</b>	<b>5</b>	<b>6</b>
					
1pc	1pc	1pc	1pc	1pc	1pc
<b>7</b>	<b>8</b>	<b>9</b>	<b>10</b>	<b>11</b>	<b>12</b>
					
1pc	1pc	1pc	1pc	1pc	2pcs

### HARDWARE LIST

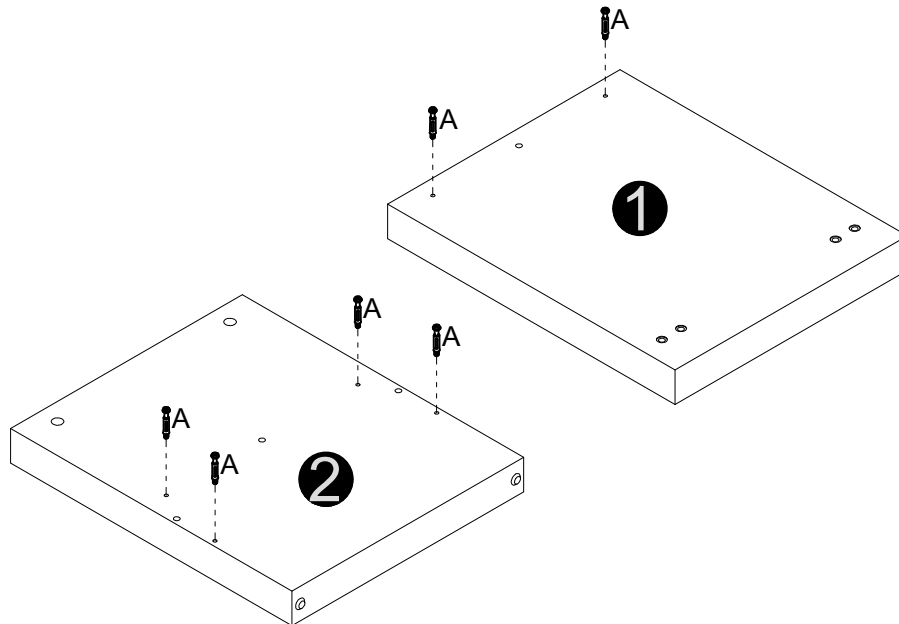
HARDWARE LIST					
<b>A</b>	<b>B</b>	<b>C</b>	<b>D</b>	<b>E</b>	<b>F</b>
					
M6x35mm		M6x12mm		M4x20mm	
16pcs	16pcs	8pcs	8pcs	1pc	1pc
<b>G</b>	<b>H</b>	<b>I</b>	<b>L</b>	<b>R</b>	
					
M4x35mm	M3x14mm	4mm			
4pcs	8pcs	1pc	1pc	1pc	



**NOTED:**

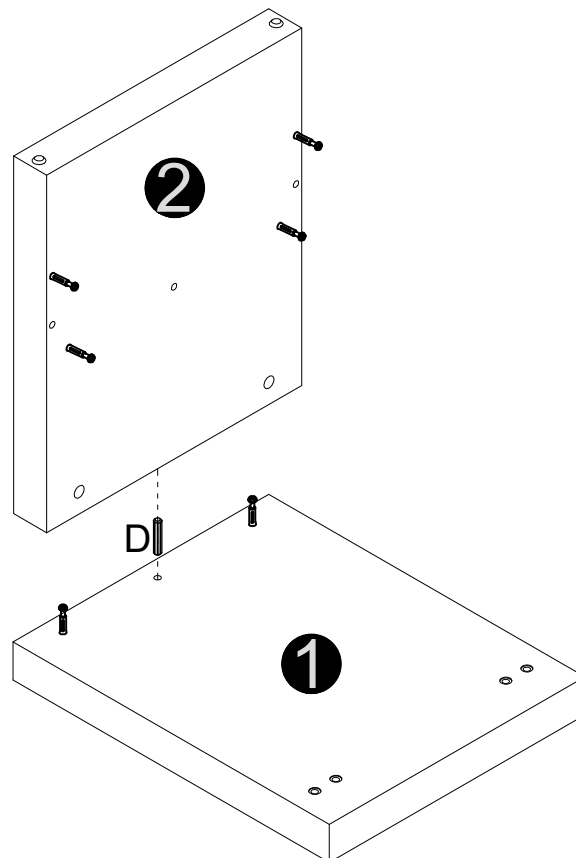
1. Do not fully tighten all bolts until all parts are in place. Failure to follow these instructions may cause the bolt to misalign during assembly.
2. To prevent injury and property damaged from unexpected tipping of furniture, we highly recommend installation of the anti-tip kit included with this product.

**Step1**



A x 6PCS

**Step2**



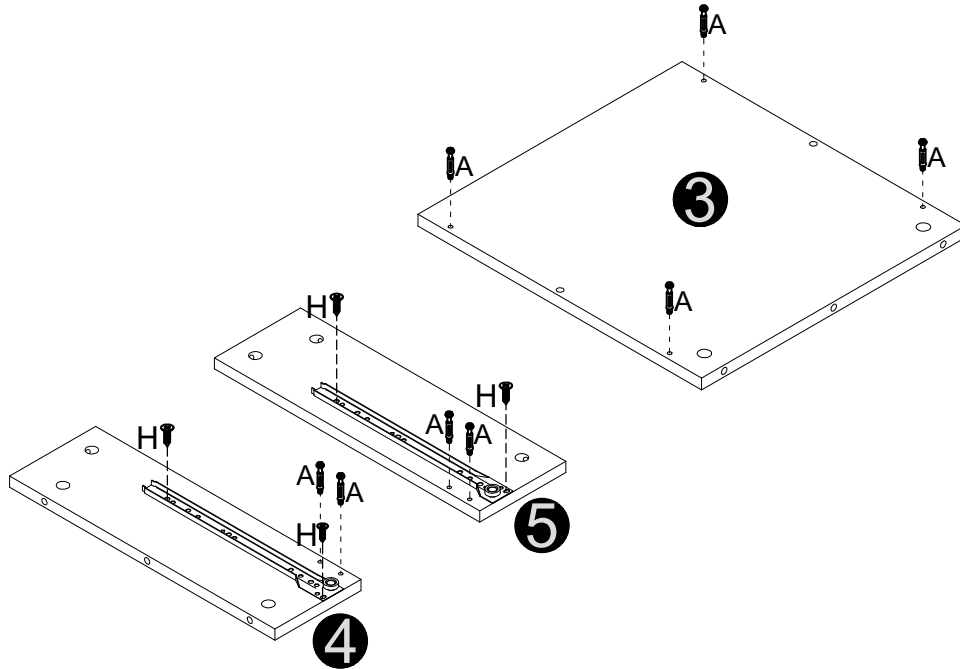
D x 1PC

**NOTED:**

1. Do not fully tighten all bolts until all parts are in place. Failure to follow these instructions may cause the bolt to misalign during assembly.

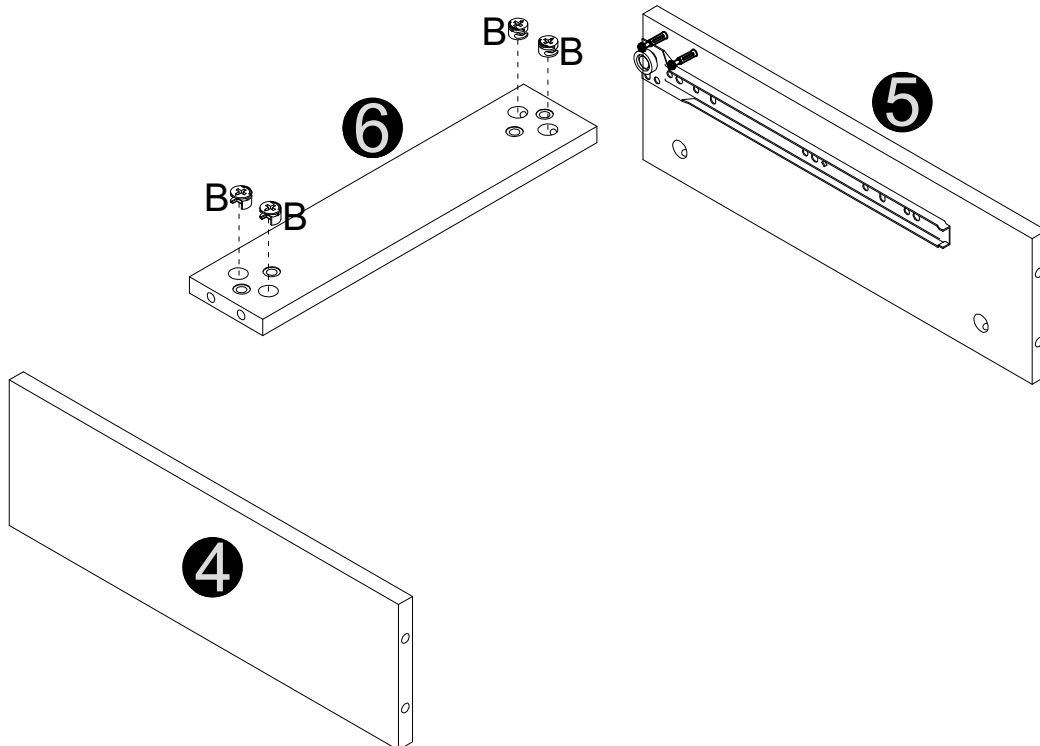
2. To prevent injury and property damaged from unexpected tipping of furniture, we highly recommend installation of the anti-tip kit included with this product.

**Step3**



H x 4PCS
A x 8PCS

**Step4**



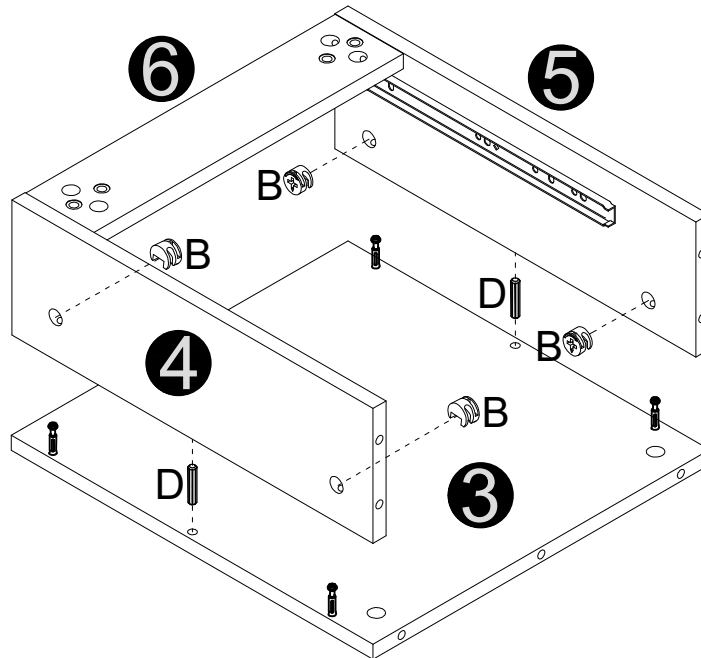
B x 4PCS
----------

**NOTED:**

1. Do not fully tighten all bolts until all parts are in place. Failure to follow these instructions may cause the bolt to misalign during assembly.

2. To prevent injury and property damaged from unexpected tipping of furniture, we highly recommend installation of the anti-tip kit included with this product.

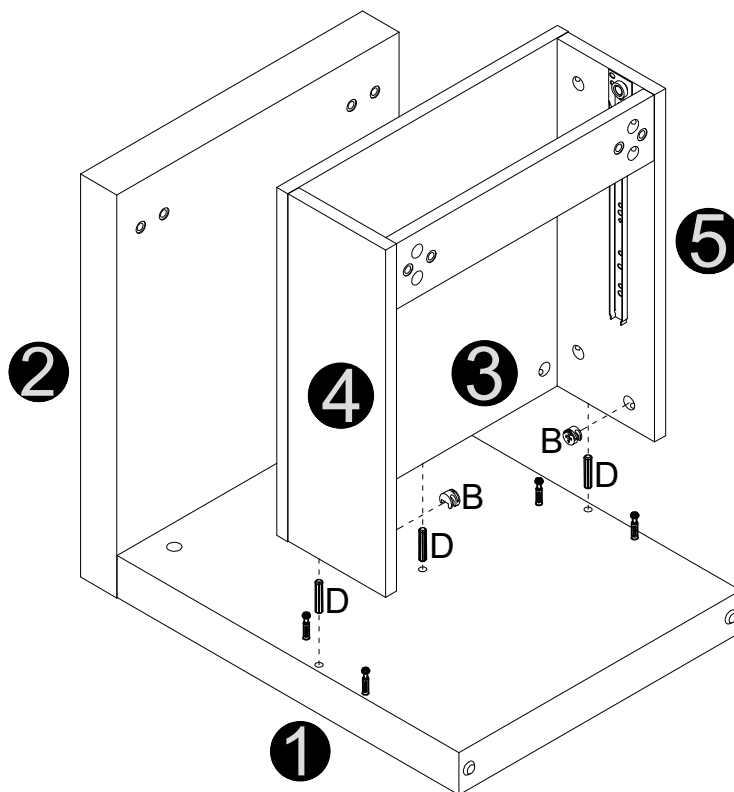
**Step5**



D x 2PCS

B x 4PCS

**Step6**



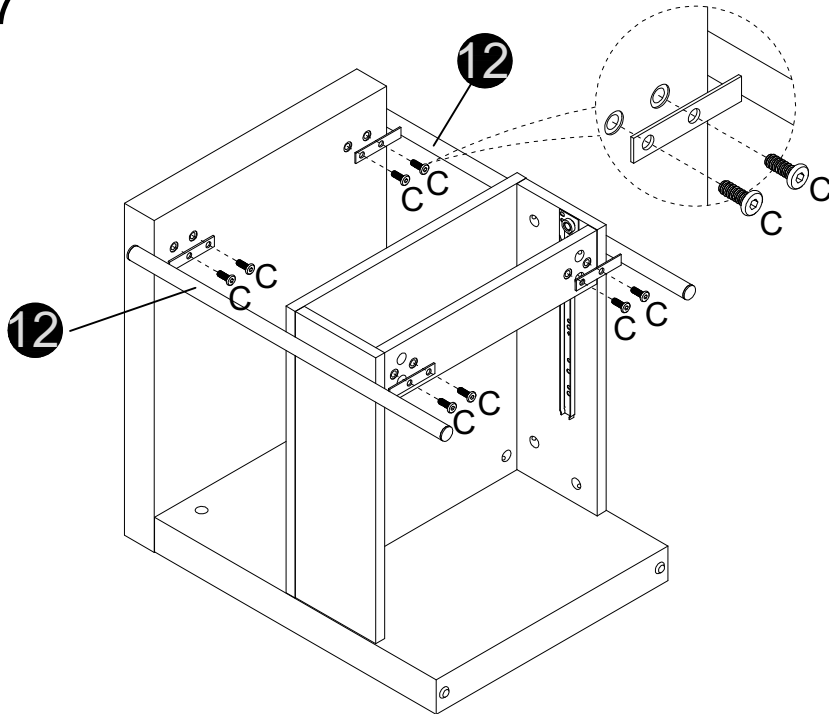
B x 2PCS

D x 3PCS

**NOTED:**

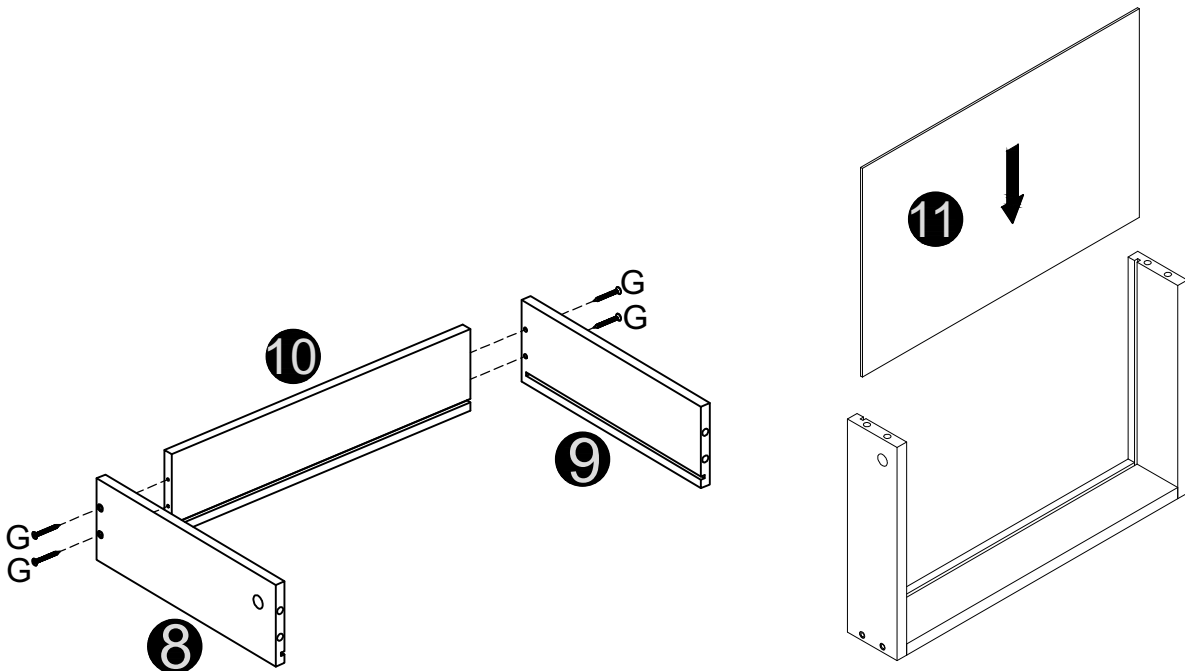
1. Do not fully tighten all bolts until all parts are in place. Failure to follow these instructions may cause the bolt to misalign during assembly.
2. To prevent injury and property damaged from unexpected tipping of furniture, we highly recommend installation of the anti-tip kit included with this product.

**Step 7**



C x 8PCS

**Step 8**

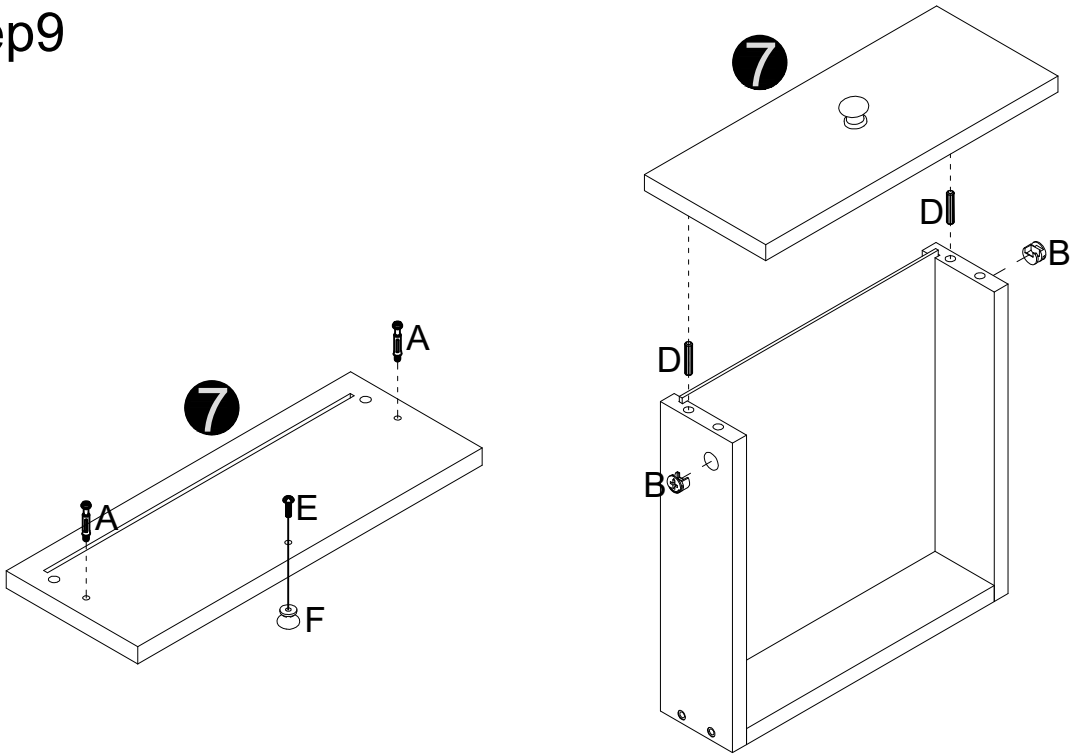


G x 4PCS

**NOTED:**

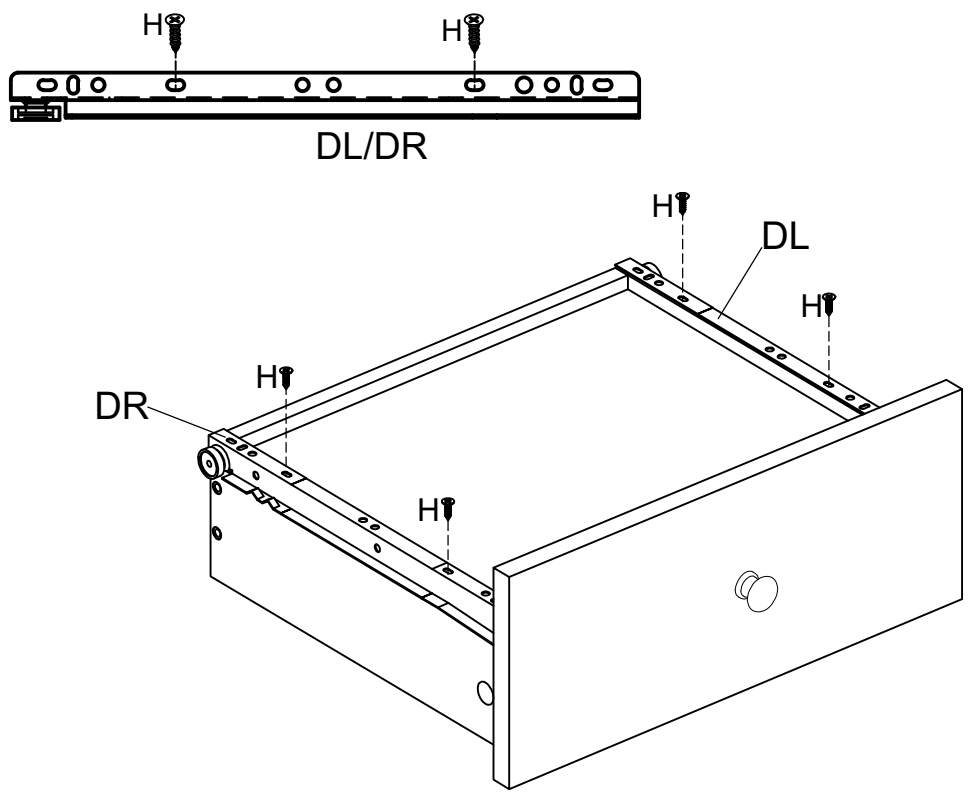
1. Do not fully tighten all bolts until all parts are in place. Failure to follow these instructions may cause the bolt to misalign during assembly.
2. To prevent injury and property damaged from unexpected tipping of furniture, we highly recommend installation of the anti-tip kit included with this product.

**Step9**



F x1PC
E x 1PC
A x2PCS
D x 2PCS
B x 2PCS

**Step10**



H x 4PCS
----------

**NOTED:**

1. Do not fully tighten all bolts until all parts are in place. Failure to follow these instructions may cause the bolt to misalign during assembly.
2. To prevent injury and property damaged from unexpected tipping of furniture, we highly recommend installation of the anti-tip kit included with this product.

## Step 11

