

# BEFORE YOU GET STARTED...

*We're confident you'll love your gorgeous new furniture. However, it's worth making absolutely certain before you put it all together.*

*So, let's quickly run through these three steps:*

## 1. COLOUR

Make sure you're happy with the colour  
No need to unpack everything, just check the first component.

## 2. PROTECTIVE PACKAGING

If you're happy, then it's time to get opening! Start by laying everything out on the protective packaging – this will prevent anything getting scratched.

## 3. PARTS PAGE

Finally, double check you have all the pieces by referencing the parts page of the instructions.

## TIPS FOR RETURNS

Not completely happy with the product? No problem. We just need everything back in the original packaging, so follow the steps below and this will ensure a super-smooth returns process and no delay to your refund.

DO



- Check everything is there (the 'parts page' is a handy checklist).
- Pop all the loose fittings and fixtures into the packaging provided or tie them up in a plastic bag.
- Wrap all the big components back up in the original protective packaging.
- Close up the box and seal it securely (don't be afraid to use plenty of tape).

DON'T



- Leave anything assembled - all components should be dismantled and separately packed.
- Put loose fixtures and fittings straight into the box.
- Throw it back in the box carelessly – as it may get damaged.

Then just contact the seller for help.



**IMPORTANT – RETAIN FOR FUTURE REFERENCE**

## **BEFORE YOU START**

### **Missing parts**

If you are missing any fixtures and fittings for your product, please contact us, and we will happy to arrange for a replacement to be sent to you free of charge.

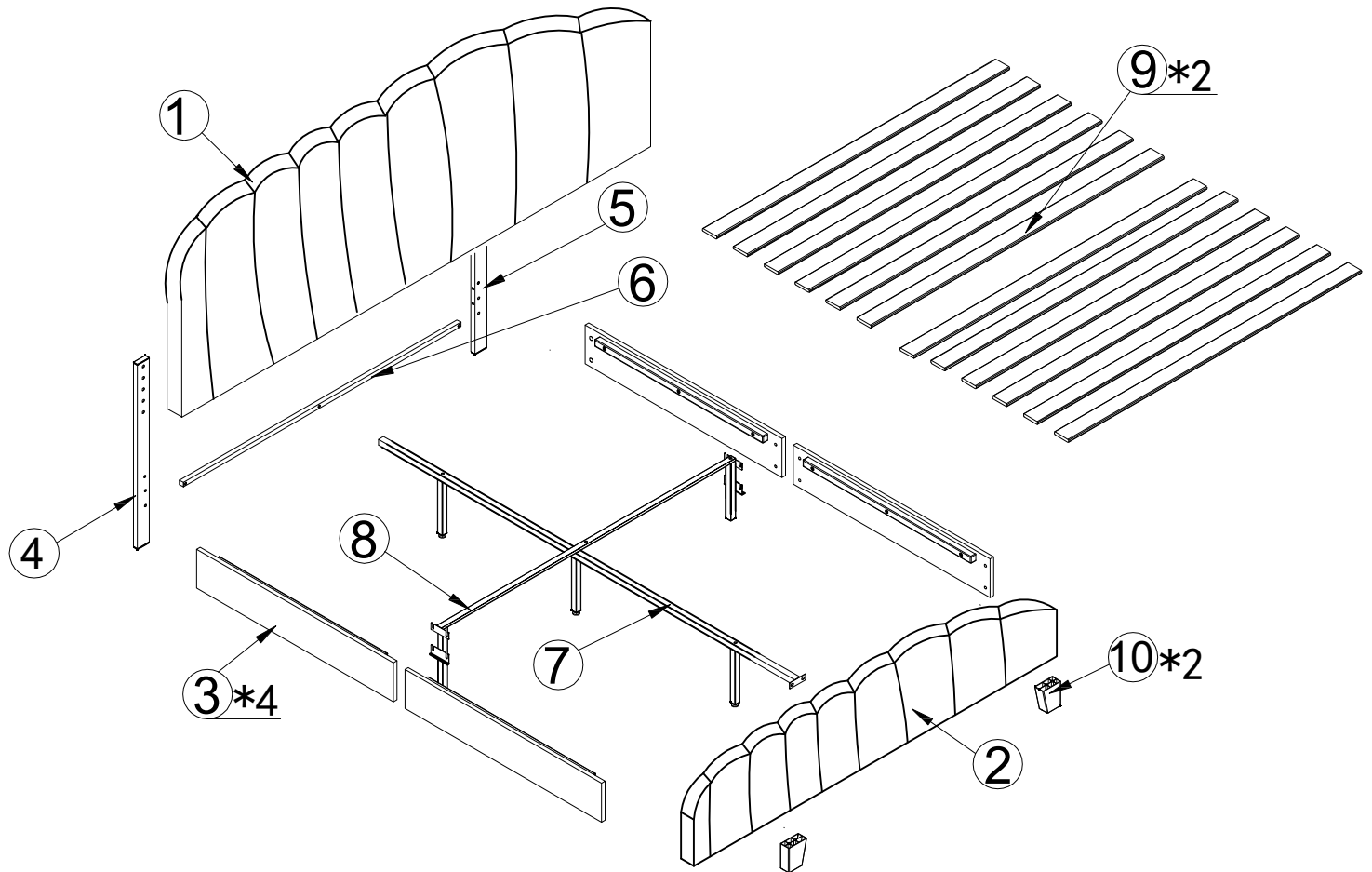
### **A fault product**

If you have a fault with your product please contact the seller, we will help you to make it right.

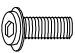



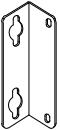

ANY QUESTIONS, PLEASE FEEL FREE TO CONTACT US  
SELLER CONTACT INFORMATION: [contacts@ihomdec.com](mailto:contacts@ihomdec.com)

# GETTING TO KNOW YOUR PRODUCT

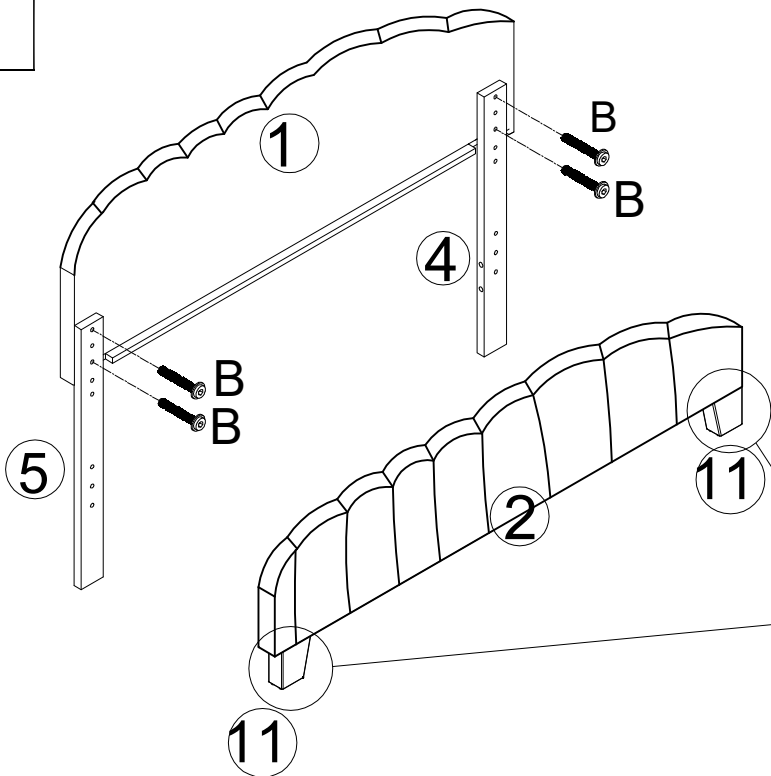
Components supplied. Please use this guide if you require replacement parts.



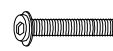
## Fixtures and fittings supplied (actual size)

<p>M8 × 20</p>  <p><b>A</b> X 26</p>	<p>M8 × 40</p>  <p><b>B</b> X 12</p>	<p>M8 × 75</p>  <p><b>C</b> X 2</p>
<p>Screw 5 x 70</p>  <p><b>D</b> X 2</p>	 <p><b>E</b> X 4</p>	 <p><b>F</b> X 1</p>

1



M8 × 40



(B) X 4

M8 × 75



(C) X 2

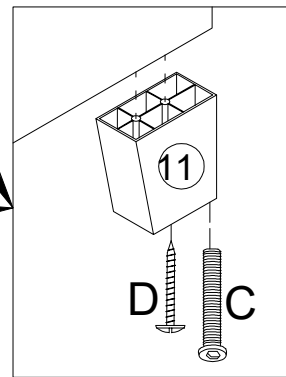
Screw 5 x 70



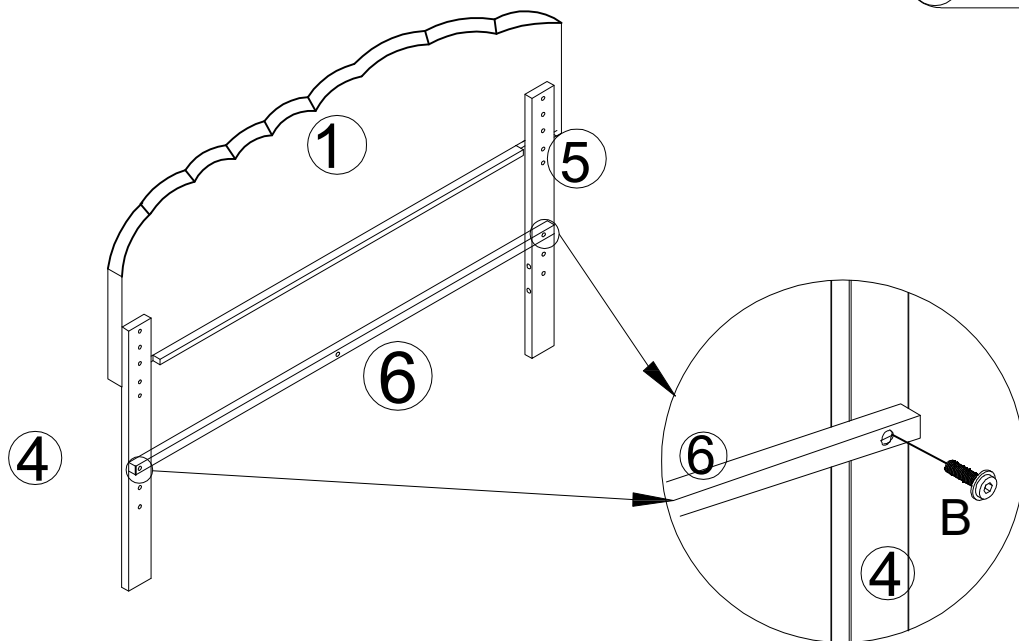
(D) X 2



(F) X 1



2



M8 × 40



(B) X 2



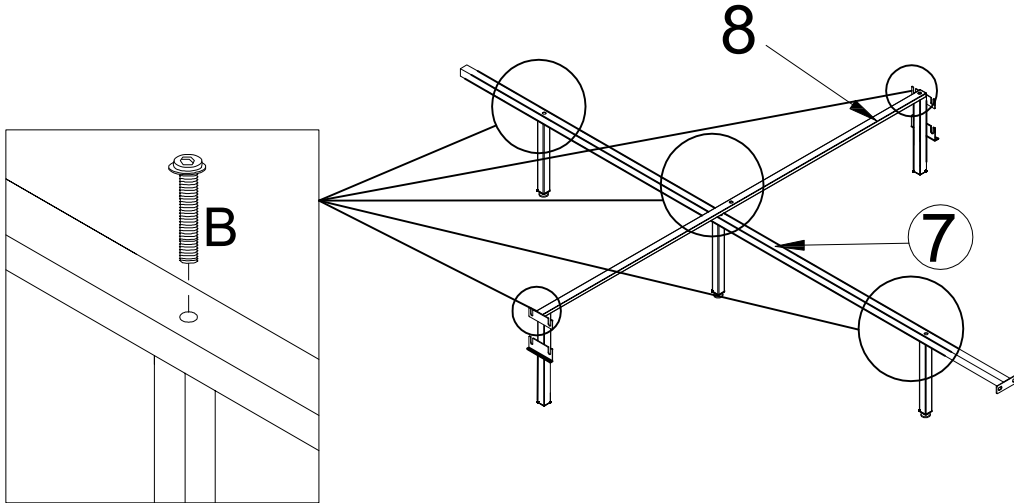
(F) X 1

3

M8 × 40



(B) X 5

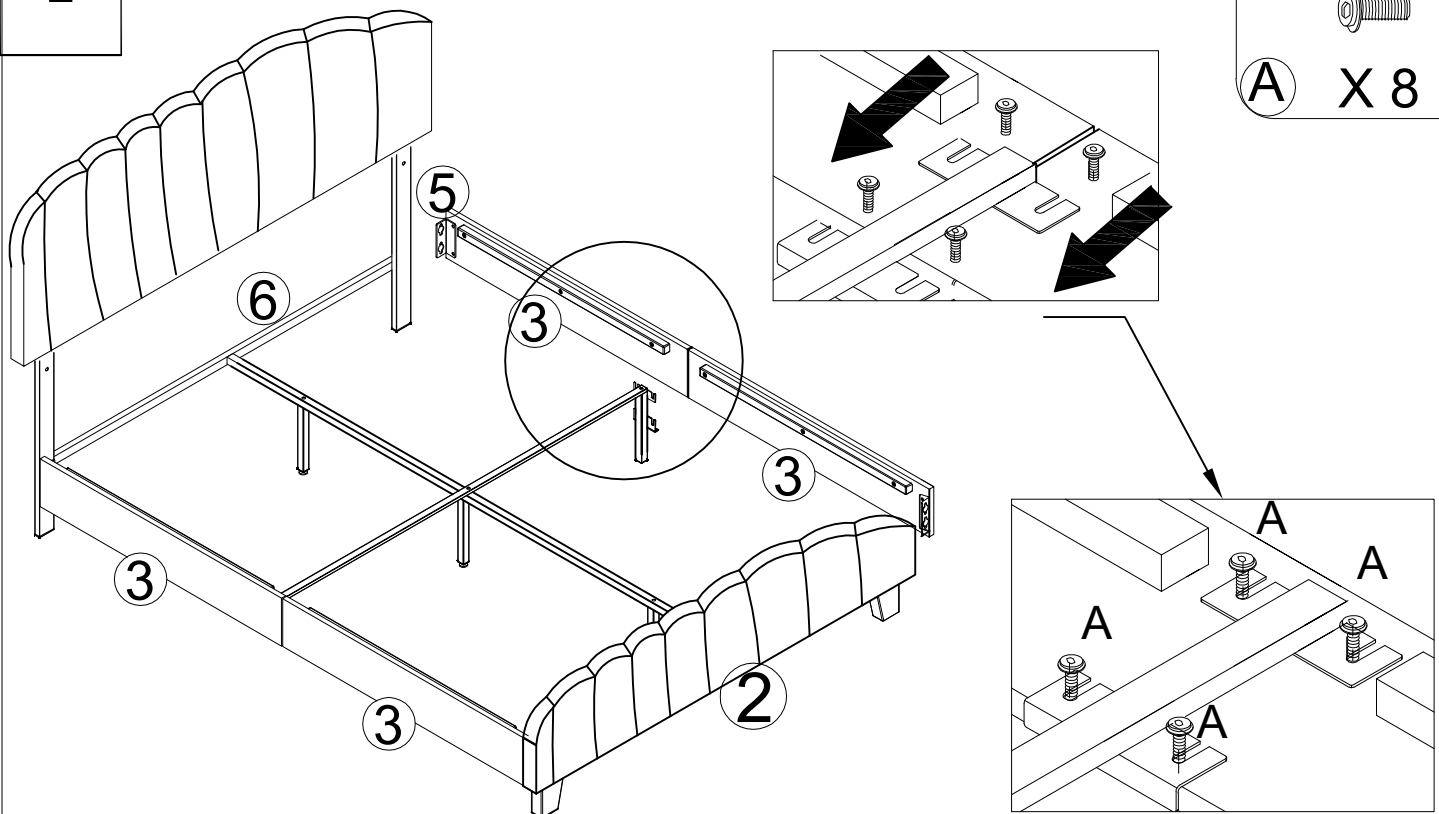


4

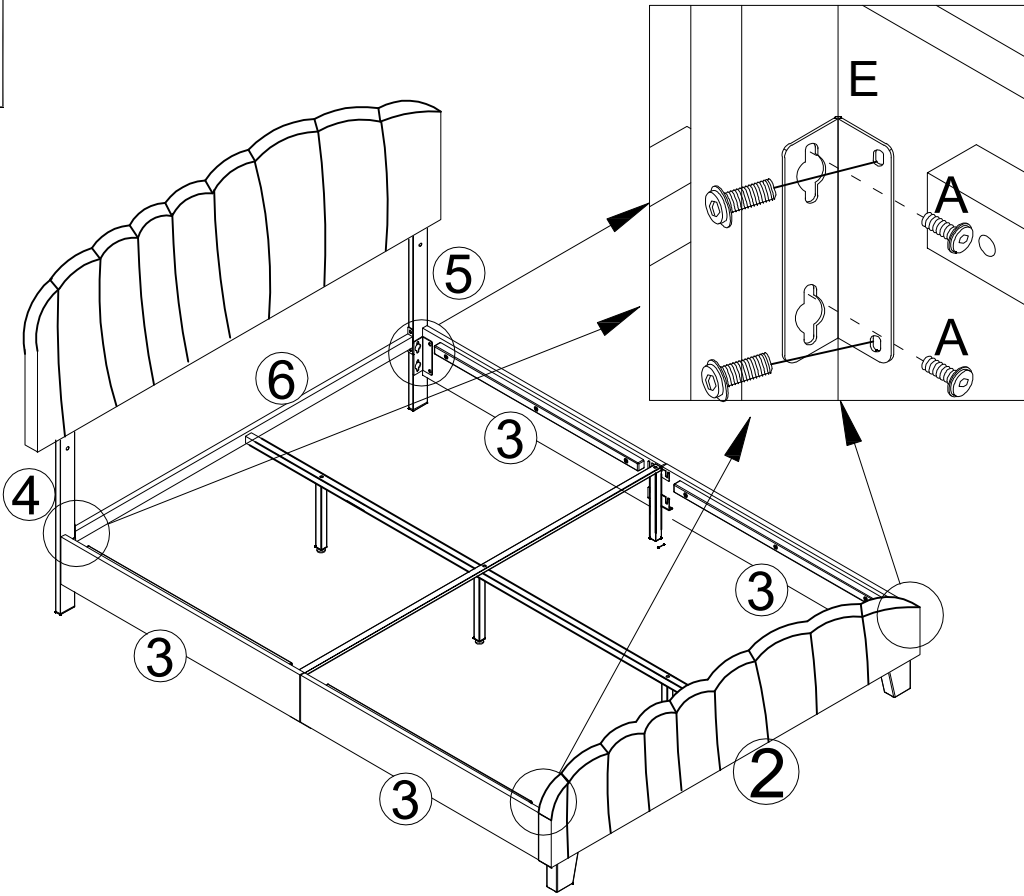
M8 × 20



(A) X 8



5



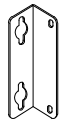
M8 × 20



(A) X 16

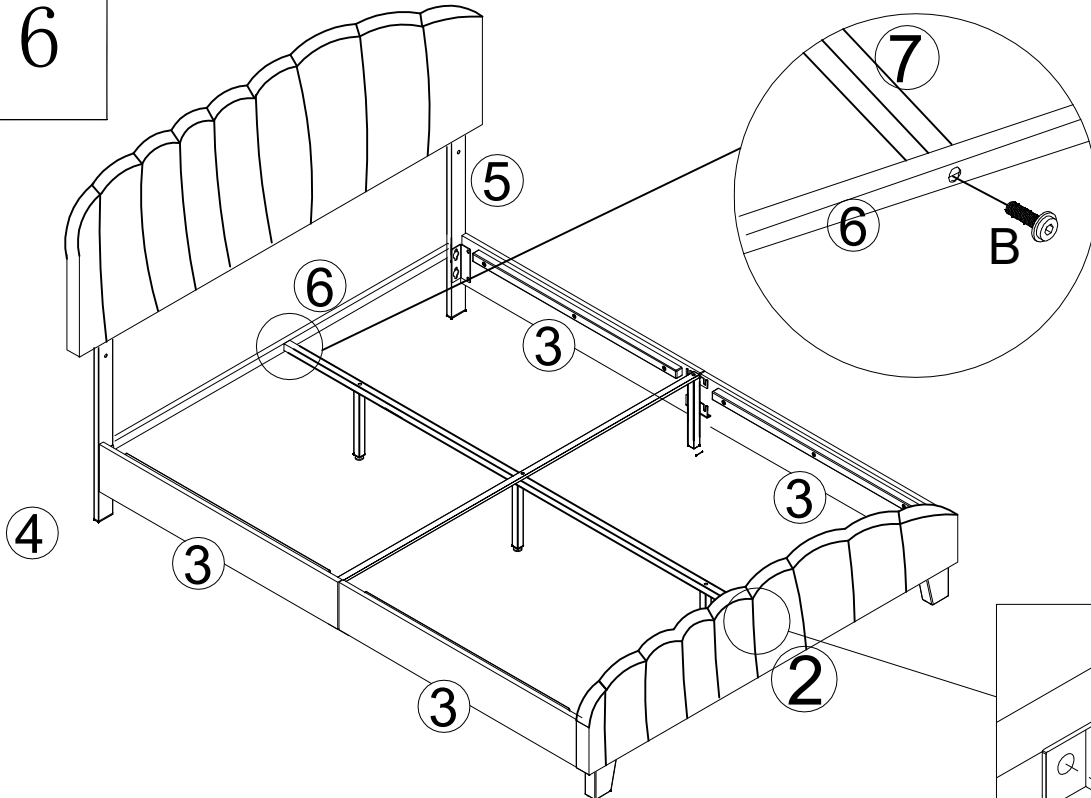


(F) X 1



(E) X 4

6



M8 × 20



(A) X 2

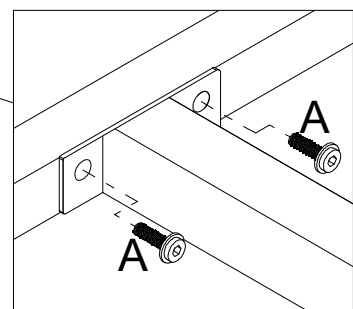
M8 × 40



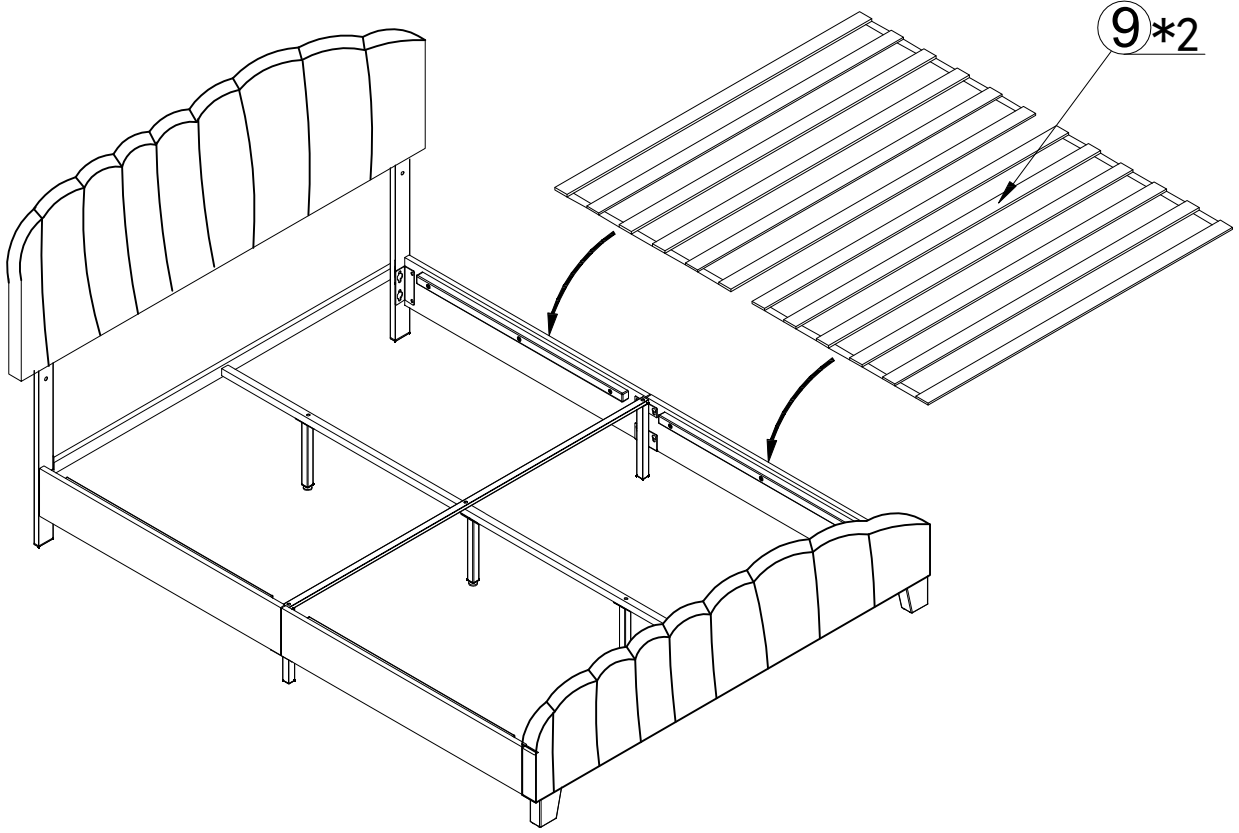
(B) X 1



(F) X 1



7



8

