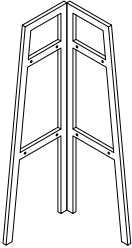
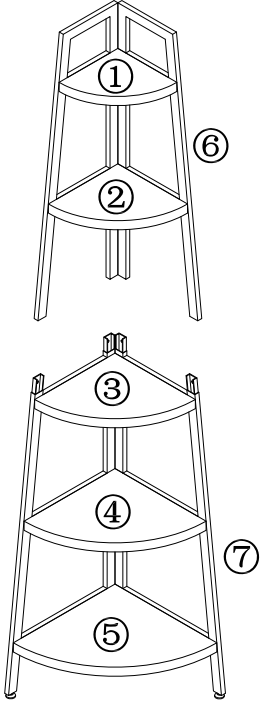

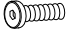

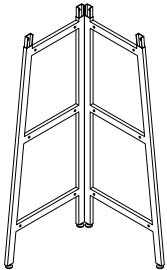

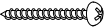
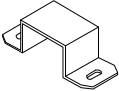
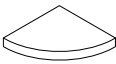
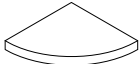
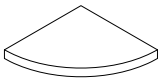
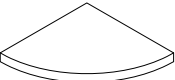

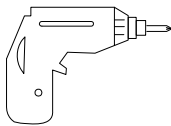

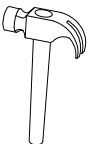


ASSEMBLY INSTRUCTION

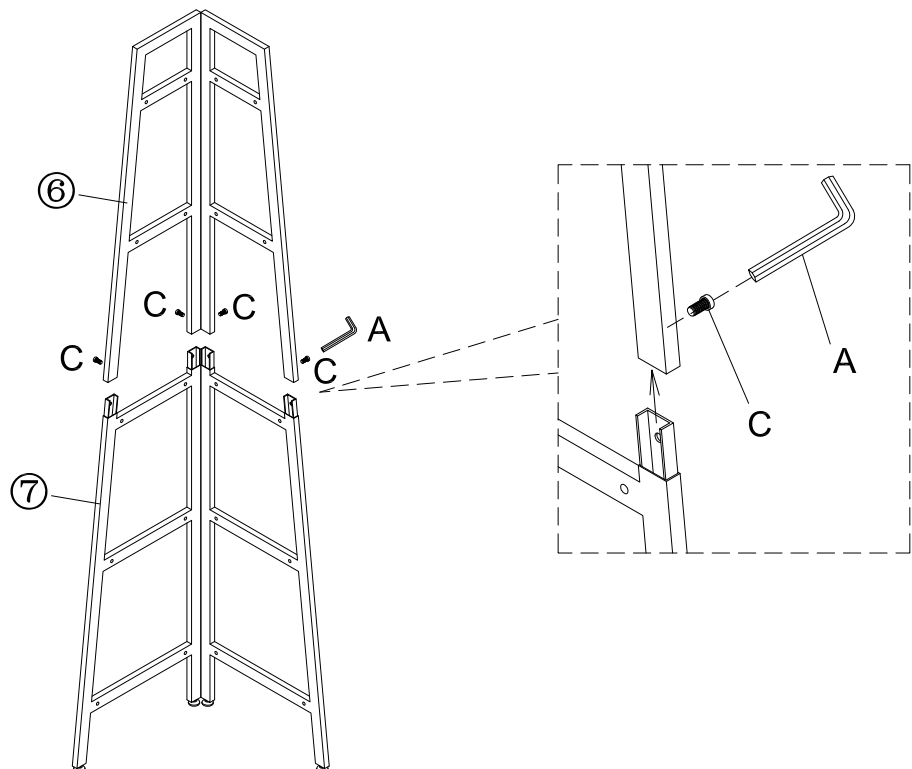
IHOMDEC FURNITURE 5-TIER CORNER BOOKSHELF

ATTENTION:

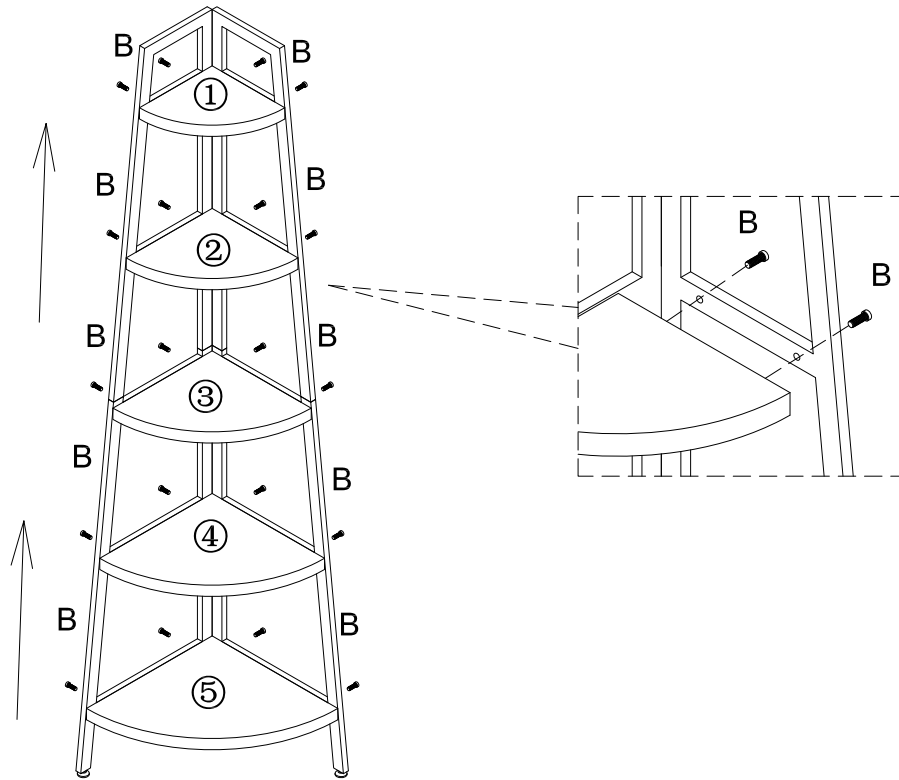
1. Check to ensure all parts and hardware are present.
2. We have provided EXTRA SCREWS of B/C in case of any screws missing in the boxes.

PART LIST		HARDWARE					
 TOP METAL FRAME ⑥ x1 PC		 ALLEN KEY Ax1 PC	 M6X28mm Bx20 PCS	 M6X12mm Cx4 PCS			
 BOTTOM METAL FRAME ⑦ x1 PC		 ANCHOR Dx4 PCS	 DRYWALL SCREW Ex4 PCS	 ANTI-TIP KIT Fx2 PCS			
 SHELF ① x1 PC	 SHELF ② x1 PC	 SHELF ③ x1 PC	 SHELF ④ x1 PC	 SHELF ⑤ x1 PC	SUGGEST TOOL: (NOT INCLUDE IN THIS PACKAGE)   		

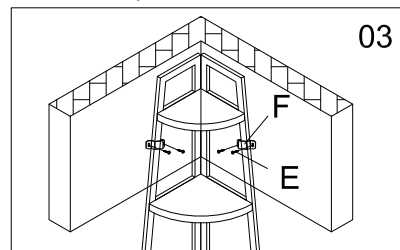
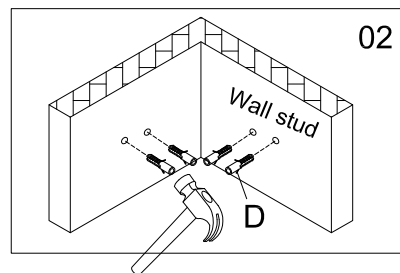
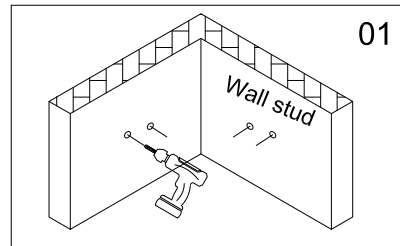
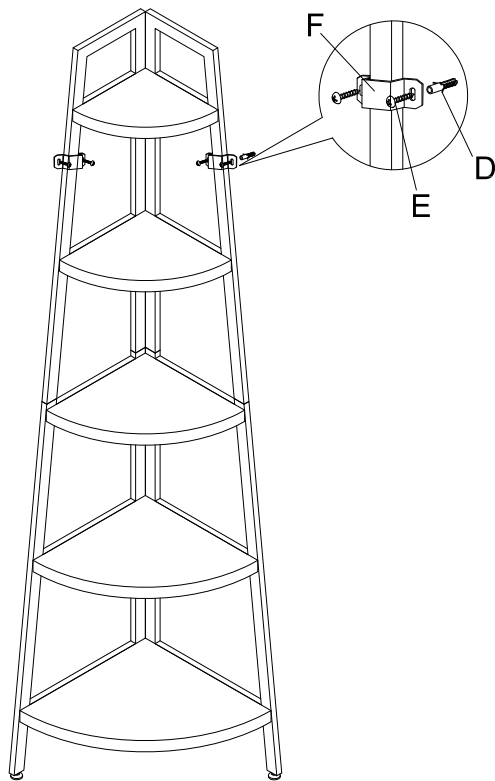
Step 1: Attach the Top Metal Frame ⑥ onto the Bottom Metal Frame ⑦, then screw up the Bolt(C) by Allen Key(A)



Step 2: Assembly the Shelf onto the Metal Frame, then tighten the bolt(B) by Allen Key(A). Please lock the shelf from the bottom(part ⑤/④/③/②/①) to up.



Step 3: Fix the bookcase on the wall using Furniture Anti-Tip kit (F) To prevent injury and property damaged from unexpected tipping of furniture, we highly recommend installation of the anti-tip kit included with this product.



USEFUL HINTS BEFORE YOU START:

- 1.Clean the product with mild cleanser using soft damped cloth. Do not use harsh or abrasive cleanser.
- 2.Using incompatible hardware might cause damage to product.

For product assistance and warranty information, please contact Customer Service:

contacts@ihomdec.com